



US00D629920S

(12) **United States Design Patent**
Tezak et al.

(10) **Patent No.:** **US D629,920 S**
(45) **Date of Patent:** **** Dec. 28, 2010**

(54) **BLOCK**
(75) Inventors: **Robert J. Tezak**, Carol Stream, IL (US);
James E. Brown, Naperville, IL (US);
Robert C. Signaigo, Lemont, IL (US)

3,235,263 A * 2/1966 Smith D25/113
D231,786 S * 6/1974 Burnley D21/501
D231,787 S * 6/1974 Burley D21/499
D334,815 S * 4/1993 Bungler D25/113
D447,045 S * 8/2001 Hundley D25/114
D621,070 S * 8/2010 MacDonald et al. D25/113

(73) Assignee: **Control Solutions LLC**, Aurora, IL (US)

* cited by examiner

(**) Term: **14 Years**

Primary Examiner—T. Chase Nelson
Assistant Examiner—Anhdao Doan

(21) Appl. No.: **29/351,286**

(74) *Attorney, Agent, or Firm*—The Eclipse Group LLP

(22) Filed: **Dec. 3, 2009**

(57) **CLAIM**

(51) **LOC (9) Cl.** **25-01**

We claim the ornamental design for a block, as shown and described.

(52) **U.S. Cl.** **D25/114**

(58) **Field of Classification Search** D25/102,
D25/112–118, 136, 138, 151, 152, 162, 164;
D21/484–491, 499–502; 405/16, 17, 33,
405/35, 286; 52/503–505, 574, 575, 596–612,
52/435, 475.19; 404/29–31, 34; D8/349,
D8/354

DESCRIPTION

See application file for complete search history.

FIG. 1 is a perspective view of the block;
FIG. 2 is a top view thereof;
FIG. 3 is a left side view thereof;
FIG. 4 is a front view thereof;
FIG. 5 is a right side view thereof;
FIG. 6 is a rear view thereof; and,
FIG. 7 is a bottom view thereof.

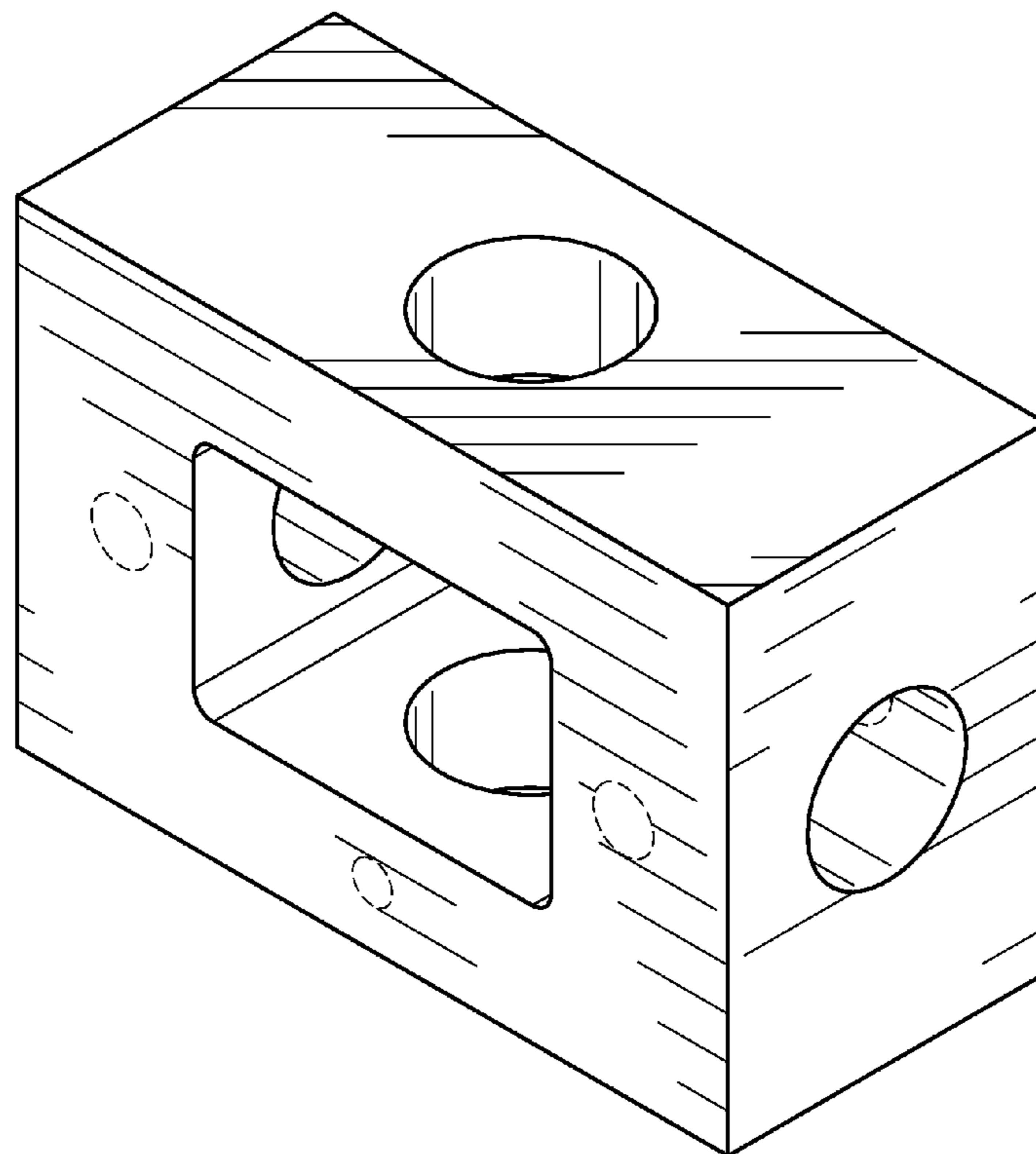
(56) **References Cited**

The dashed lines in various figures are for illustrative purposes only and form no part of the claimed design.

U.S. PATENT DOCUMENTS

D26,848 S * 3/1897 Williams D25/117
1,216,840 A * 2/1917 Ramsey et al. D21/499
2,093,341 A * 9/1937 Reiche D21/500
D191,265 S * 9/1961 Jackley D25/117

1 Claim, 3 Drawing Sheets



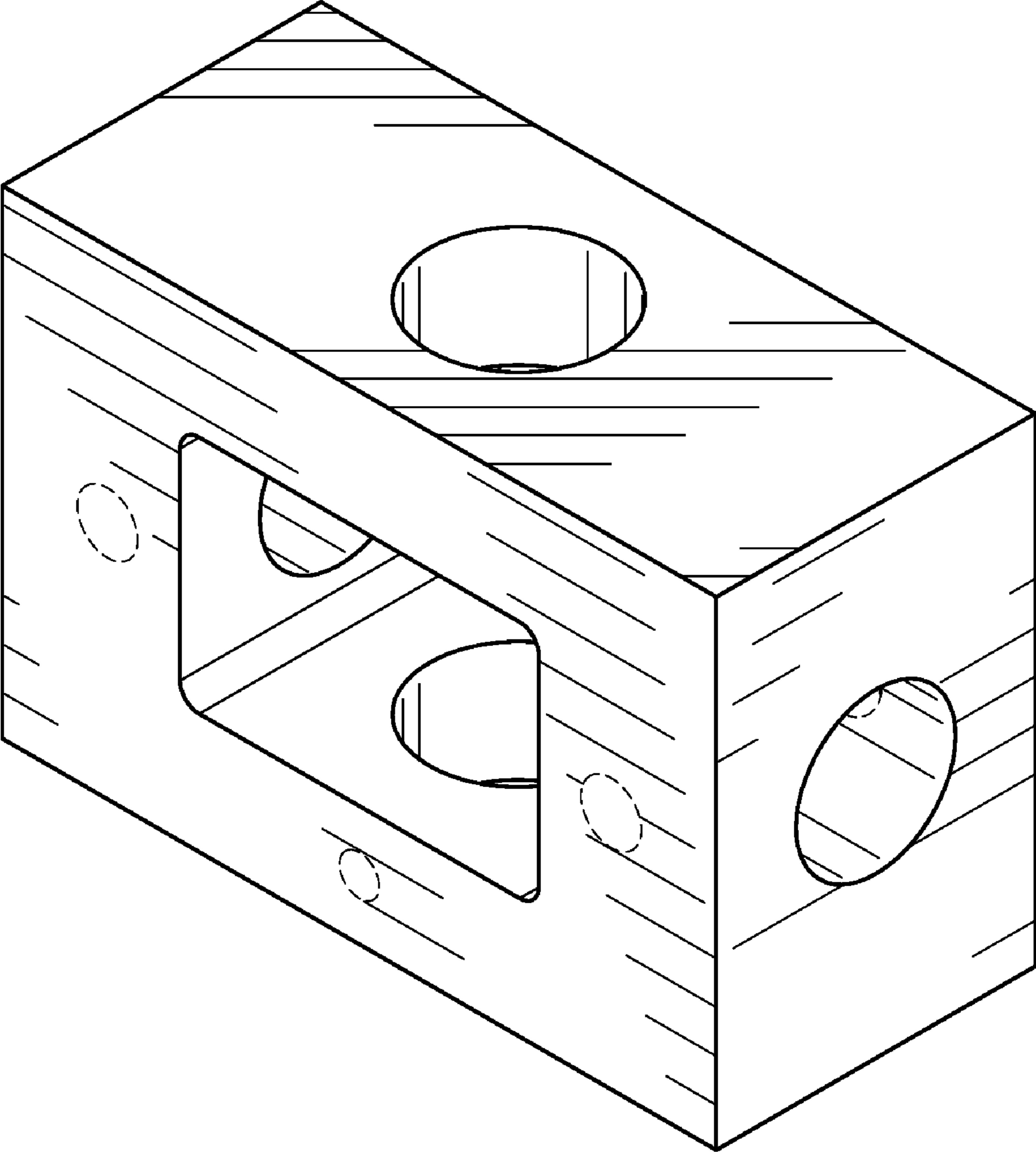


FIG. 1

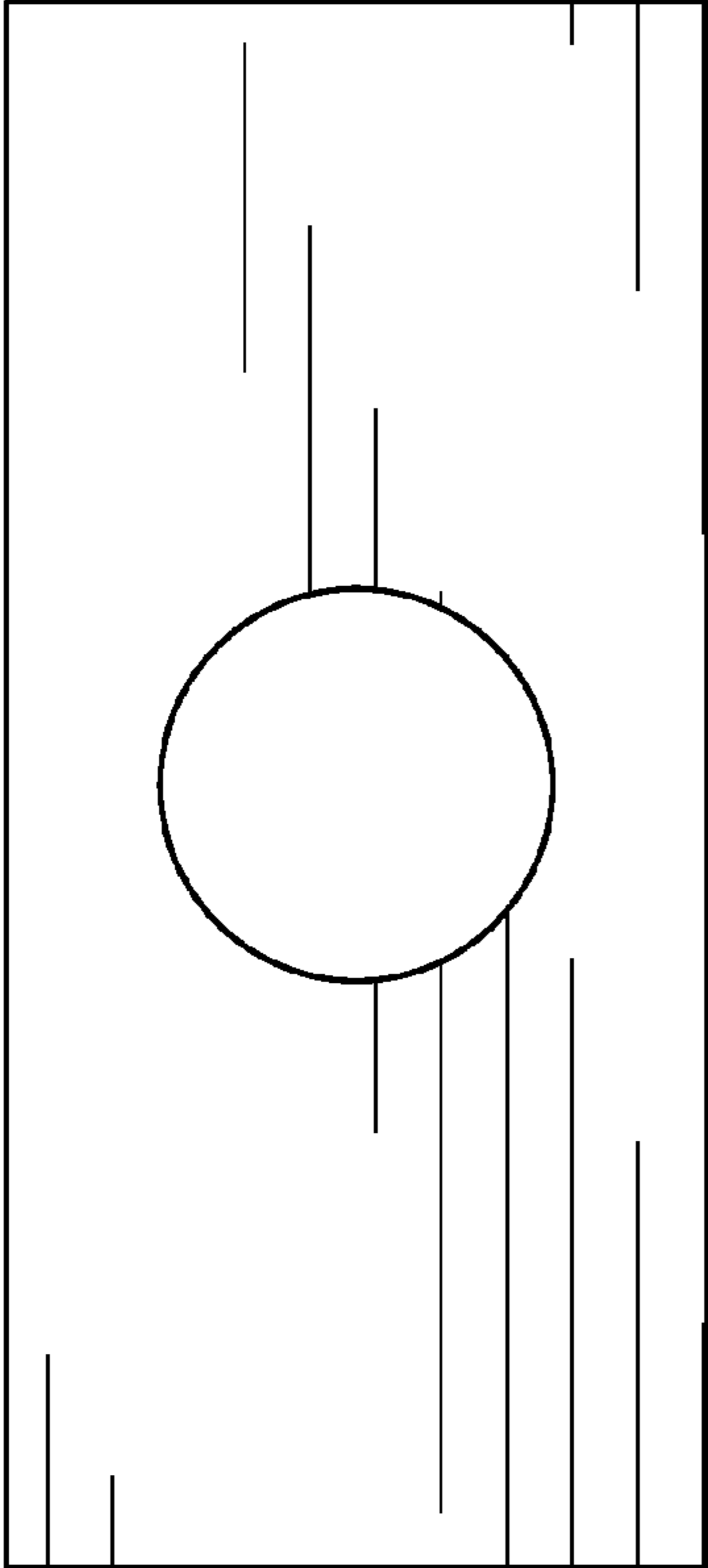


FIG. 2

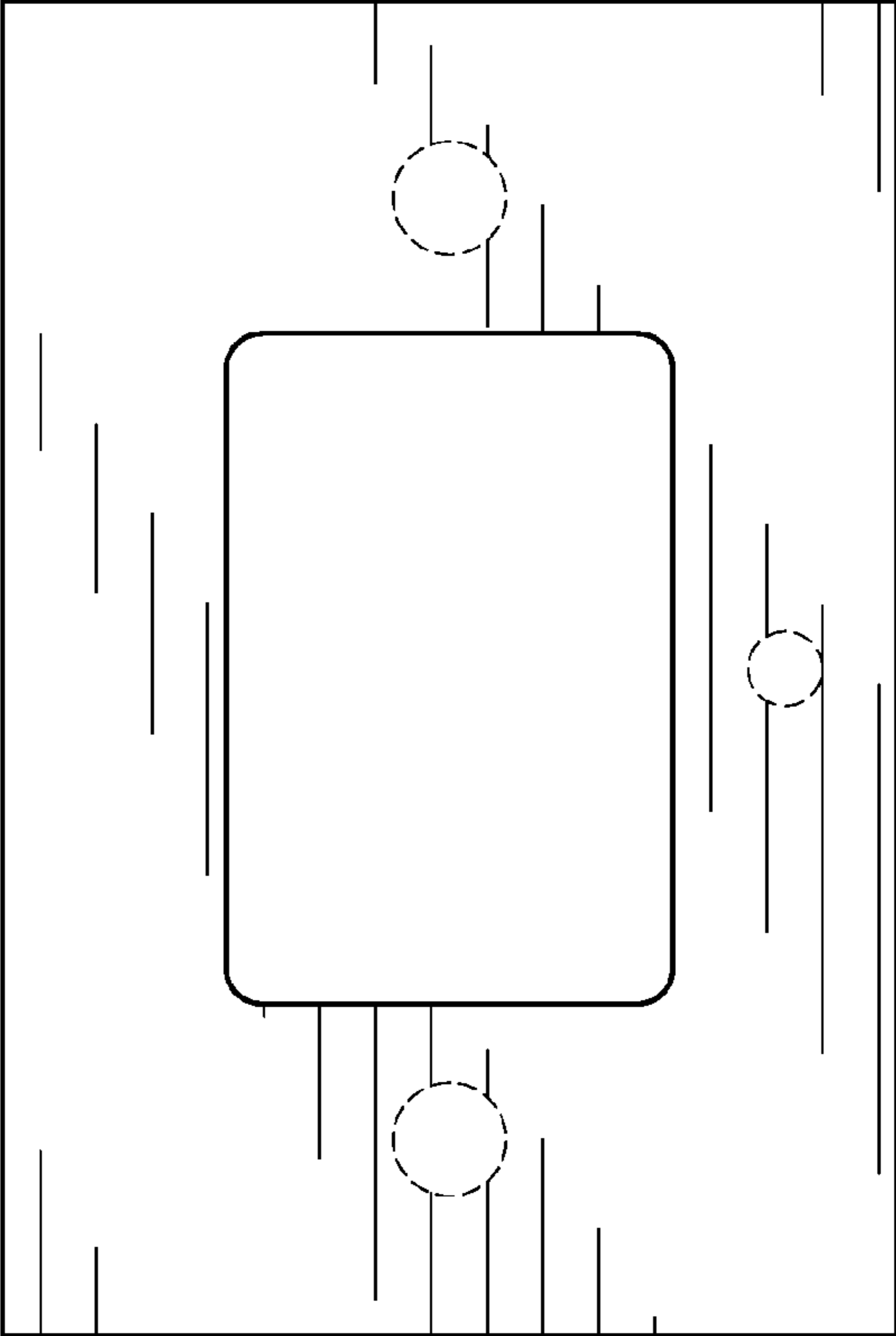


FIG. 4

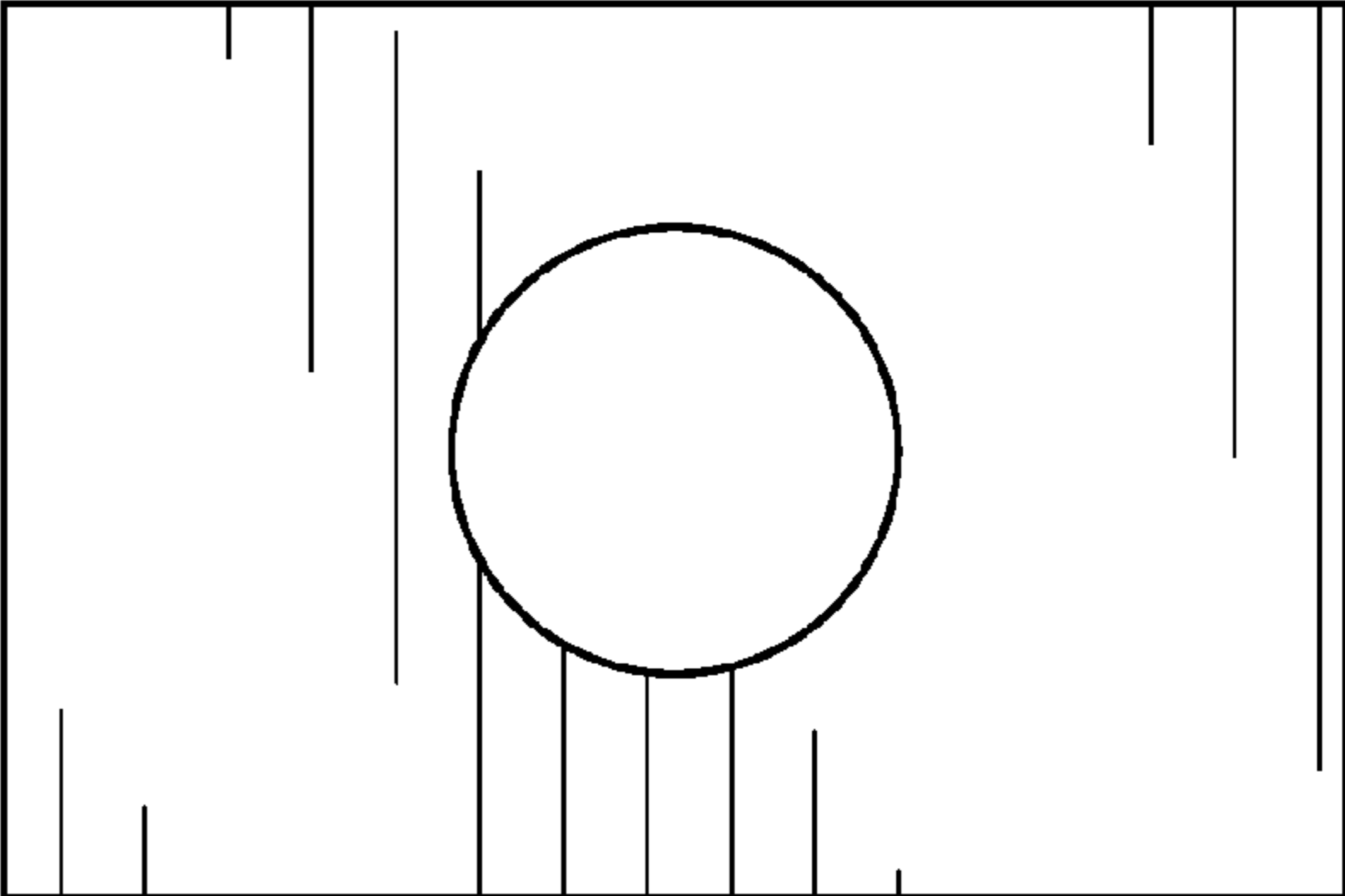


FIG. 3

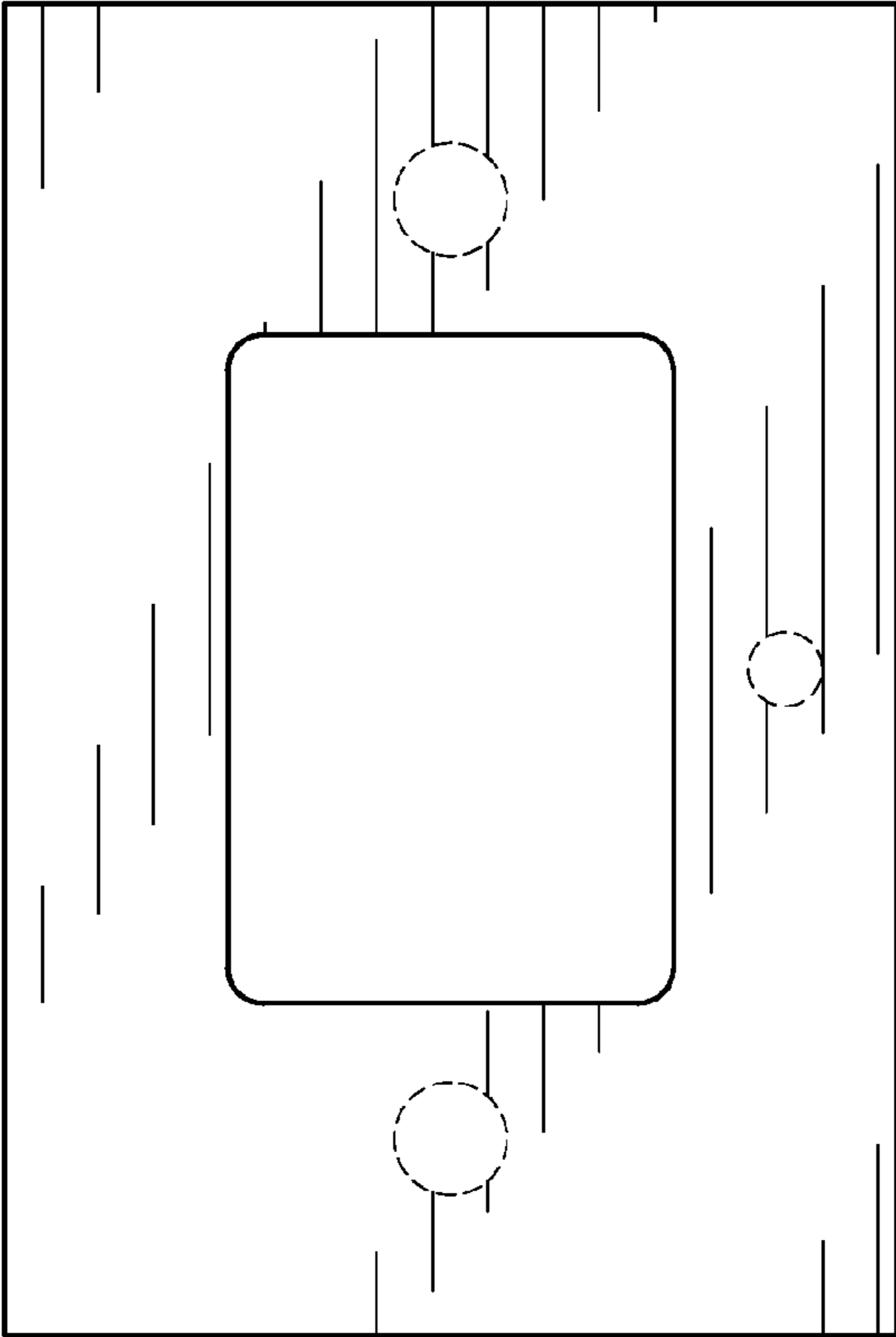


FIG. 6

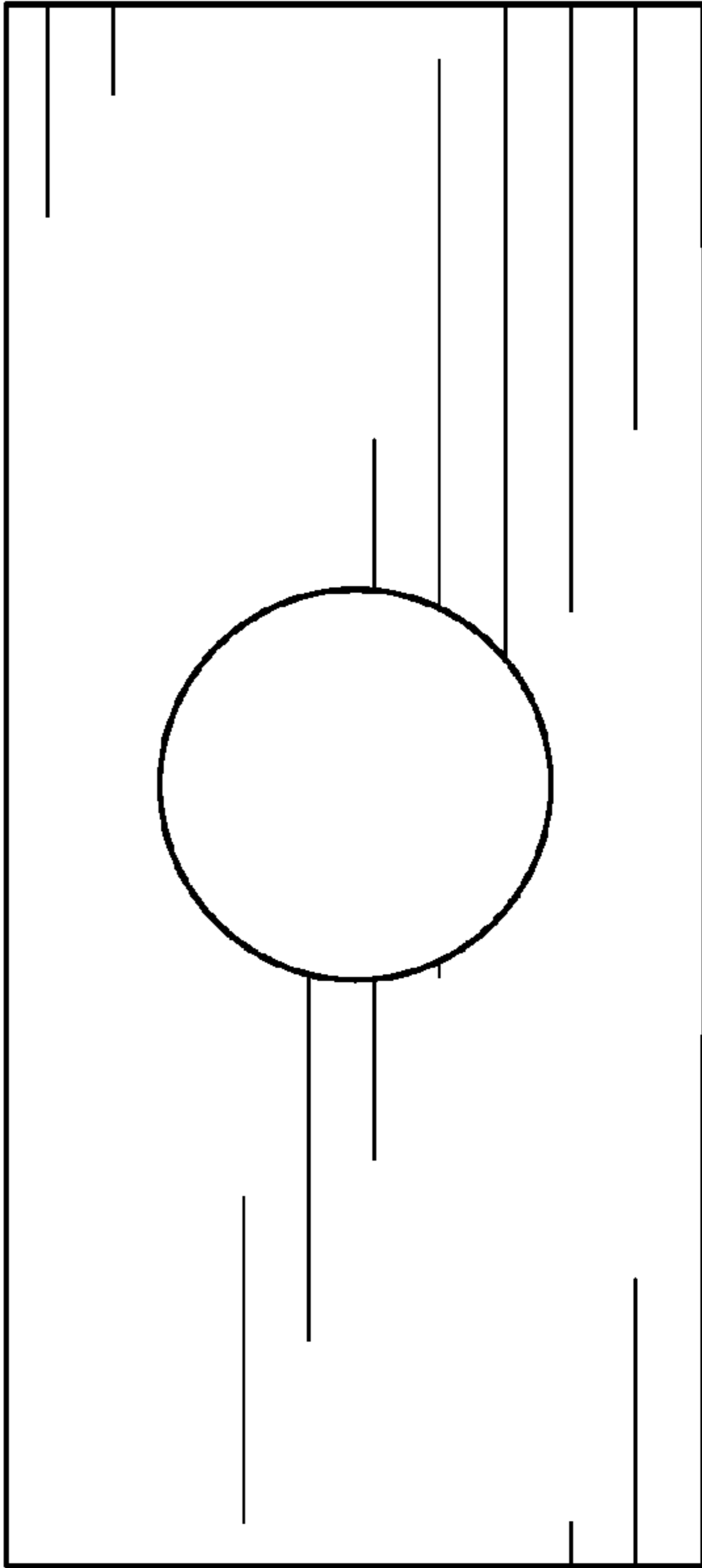


FIG. 7

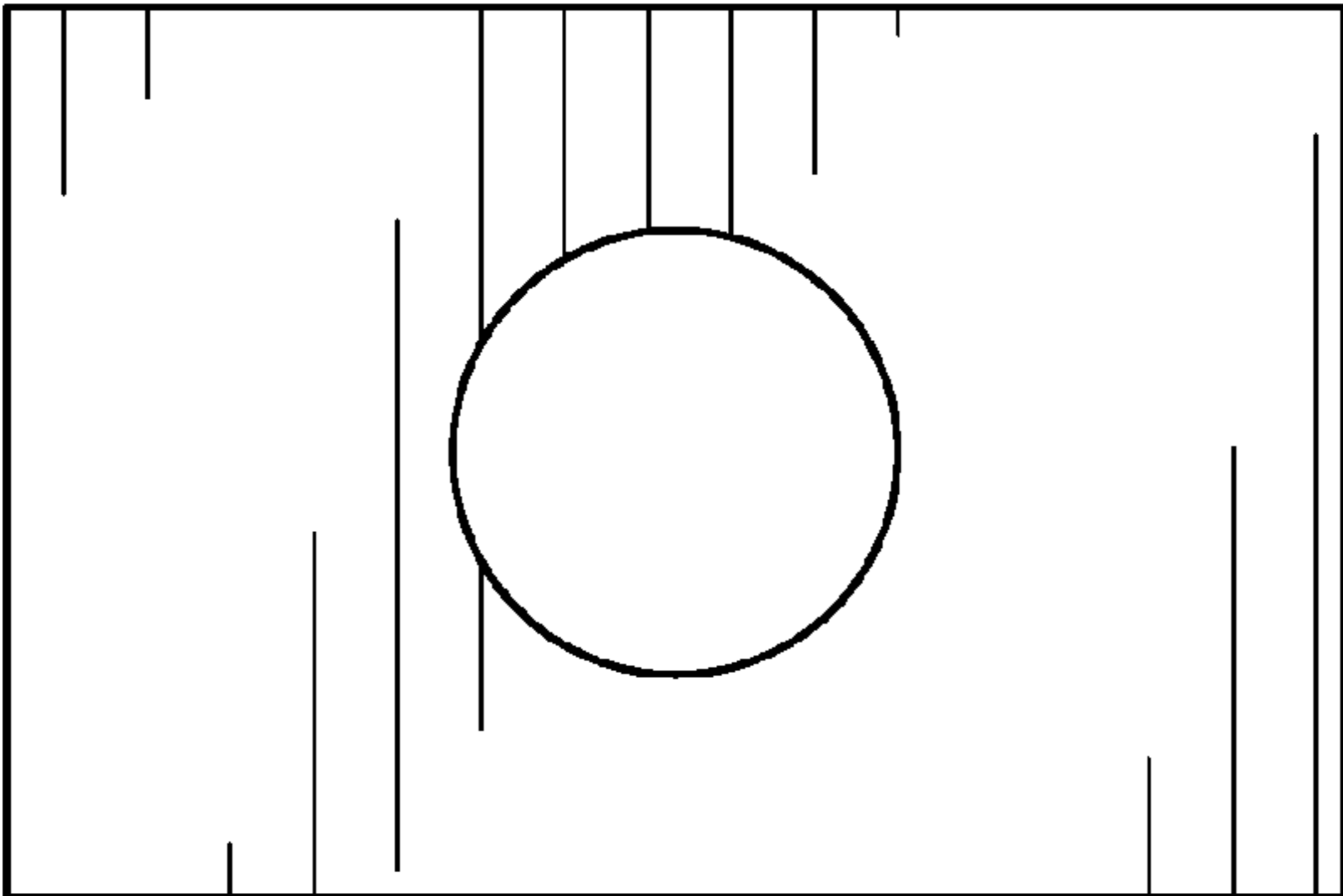


FIG. 5