



US00D629917S

(12) **United States Design Patent**
Kitagawa

(10) **Patent No.:** **US D629,917 S**

(45) **Date of Patent:** **** Dec. 28, 2010**

(54) **COMPONENT FOR PRE-FABRICATED BUILDING**

(75) Inventor: **Katsuyuki Kitagawa**, Kaga (JP)

(73) Assignee: **Japan Tsusho Co., Ltd.**, Kaga (JP)

(**) Term: **14 Years**

(21) Appl. No.: **29/347,683**

(22) Filed: **Apr. 9, 2010**

(51) **LOC (9) Cl.** **25-01**

(52) **U.S. Cl.** **D25/35**

(58) **Field of Classification Search** D25/1-33;
52/173.3, 90.1, 126, 136, 250, 454
See application file for complete search history.

(56) **References Cited**

U.S. PATENT DOCUMENTS

D174,122	S	*	3/1955	Graham	D25/19
3,147,736	A	*	9/1964	Daniel	119/482
3,172,392	A	*	3/1965	Schultz	119/482
3,503,167	A	*	3/1970	Mackie	52/309.6
3,562,975	A	*	2/1971	Moss	52/81.4
3,668,287	A	*	6/1972	Mackie	264/45.2
D224,999	S	*	10/1972	Hall	D25/55
D225,312	S	*	12/1972	Chamlee	D25/19
3,763,608	A	*	10/1973	Chamlee	52/81.4
D229,039	S	*	11/1973	Rangel	D25/19
D237,964	S	*	12/1975	Choponis	D25/16
2009/0013615	A1		1/2009	Kitagawa		

* cited by examiner

Primary Examiner—T. Chase Nelson
Assistant Examiner—Eric L Goodman
(74) *Attorney, Agent, or Firm*—Staas & Halsey LLP

(57) **CLAIM**

The ornamental design for a component for pre-fabricated building, as shown and described.

DESCRIPTION

FIG. 1 is a front perspective view of a component for pre-fabricated building;

FIG. 2 is a front view of the component for pre-fabricated building of FIG. 1;

FIG. 3 is a rear view of the component for pre-fabricated building of FIG. 1;

FIG. 4 is a left-side view of the component for pre-fabricated building of FIG. 1;

FIG. 5 is a right-side view of the component for pre-fabricated building of FIG. 1;

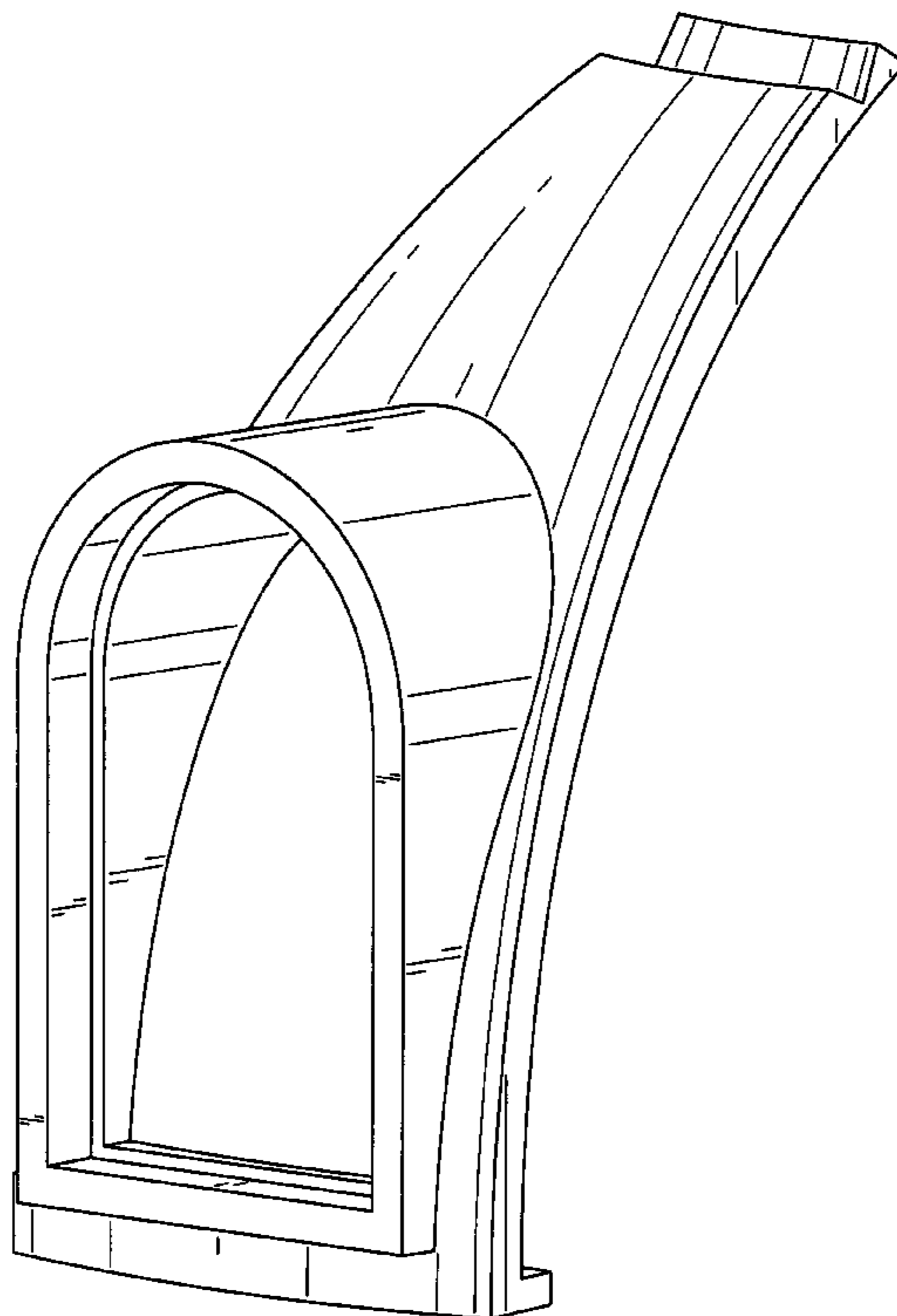
FIG. 6 is a top plan view of the component for pre-fabricated building of FIG. 1;

FIG. 7 is a bottom plan view of the component for pre-fabricated building of FIG. 1; and,

FIG. 8 is a perspective view showing the component for pre-fabricated building in an assembled state.

The broken line showing of FIG. 8 is for the purpose of illustrating the environment of the present invention and forms no part of the claimed design.

1 Claim, 8 Drawing Sheets



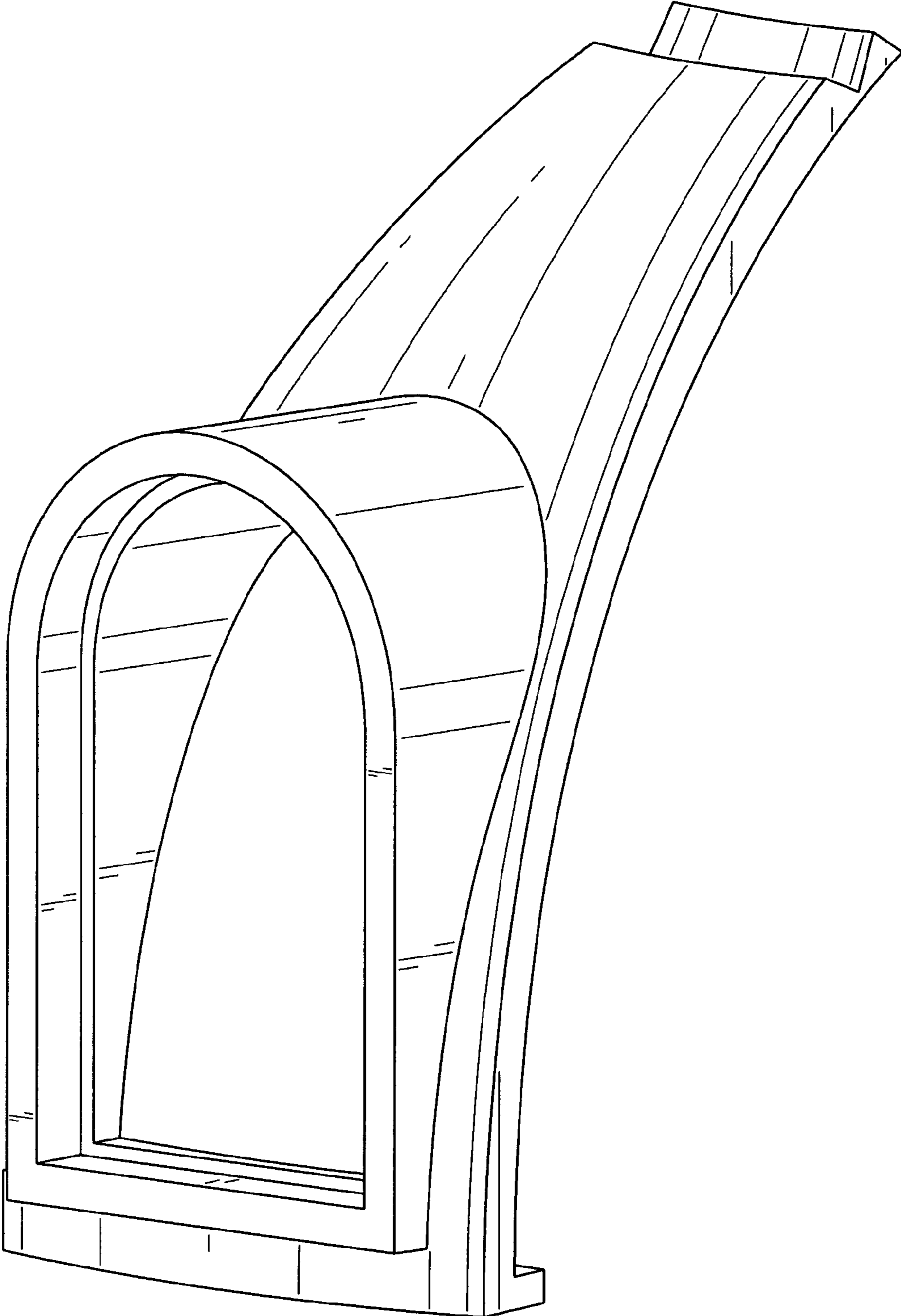


FIG. 1

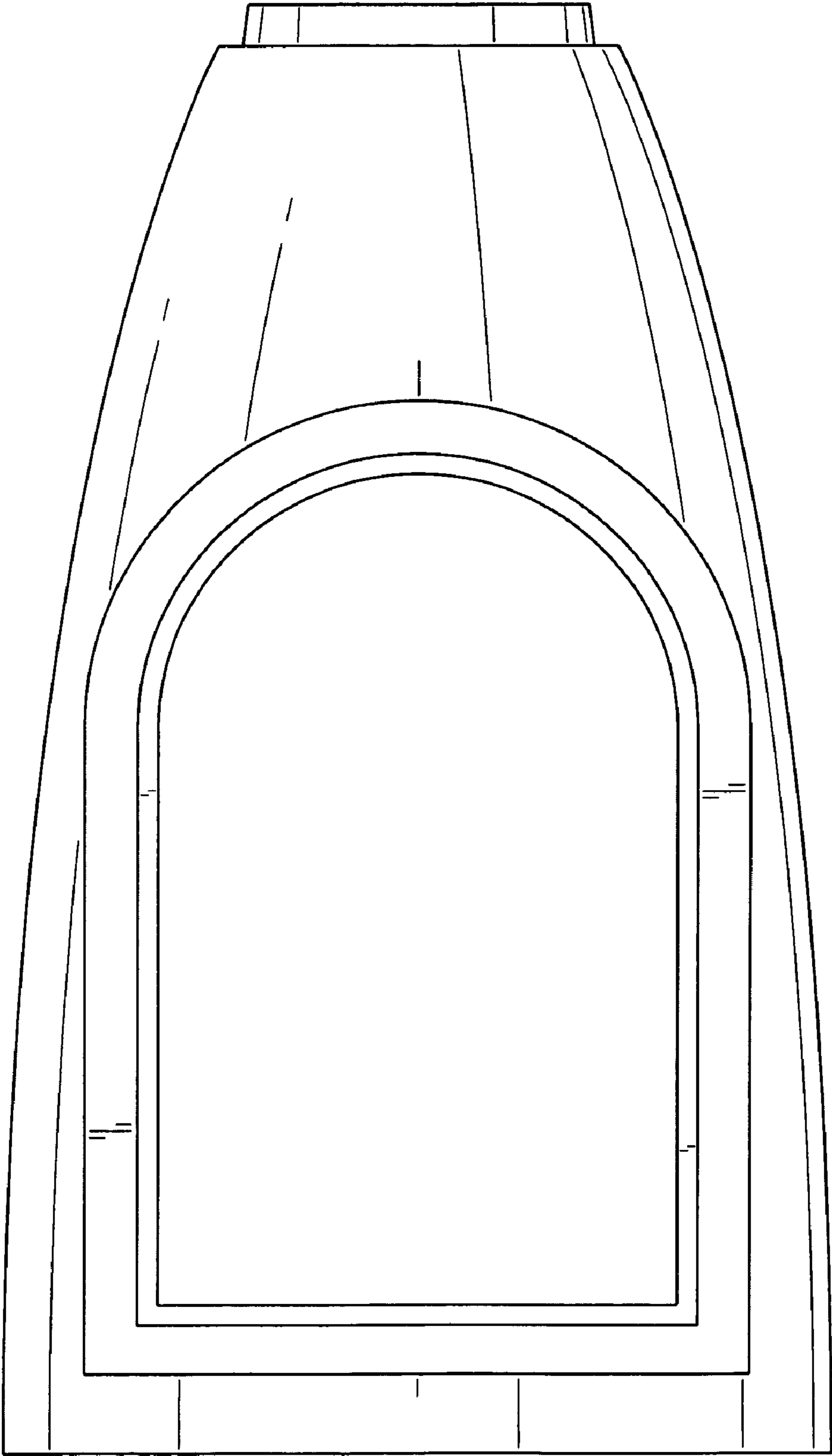


FIG. 2

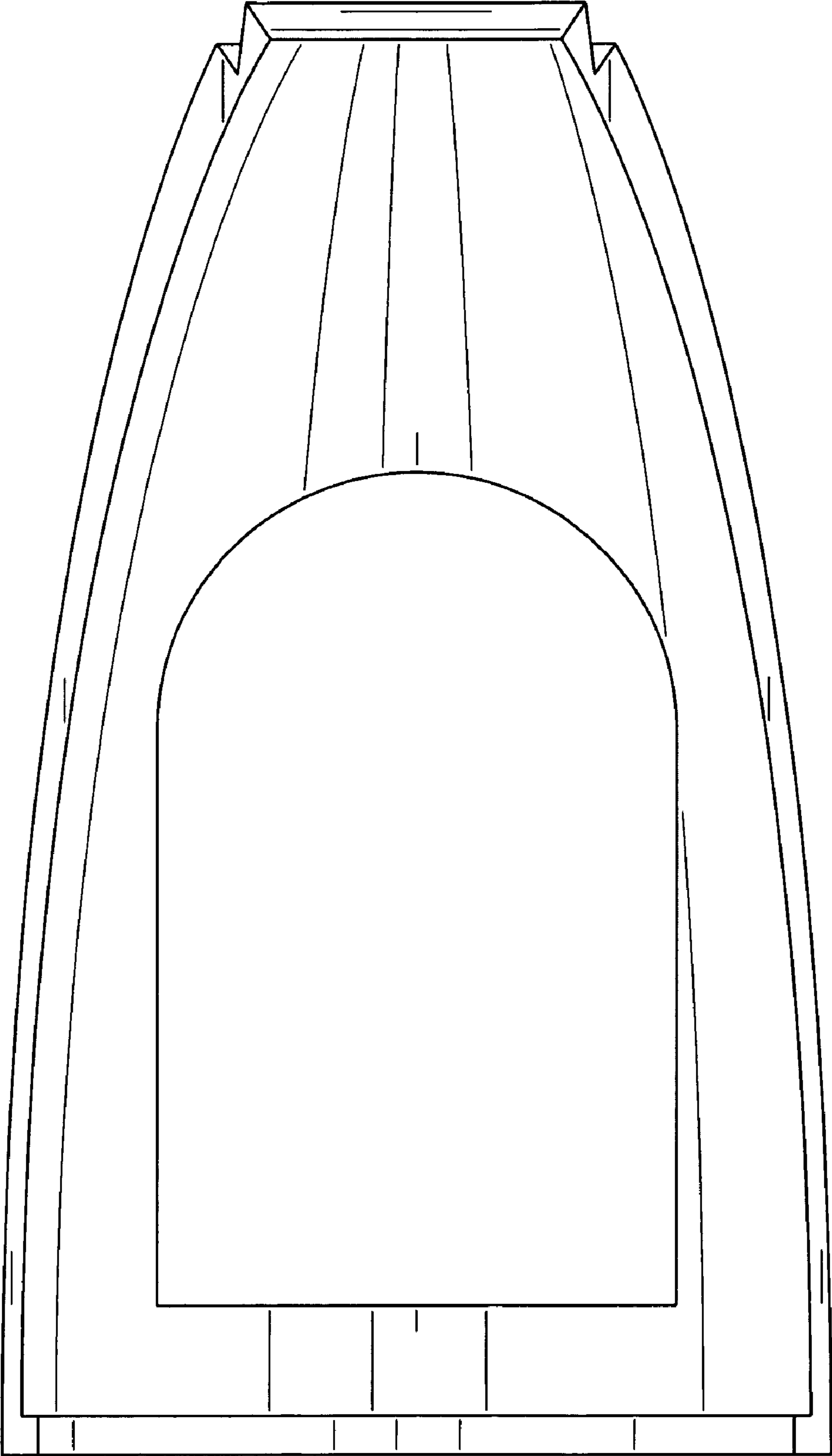


FIG. 3

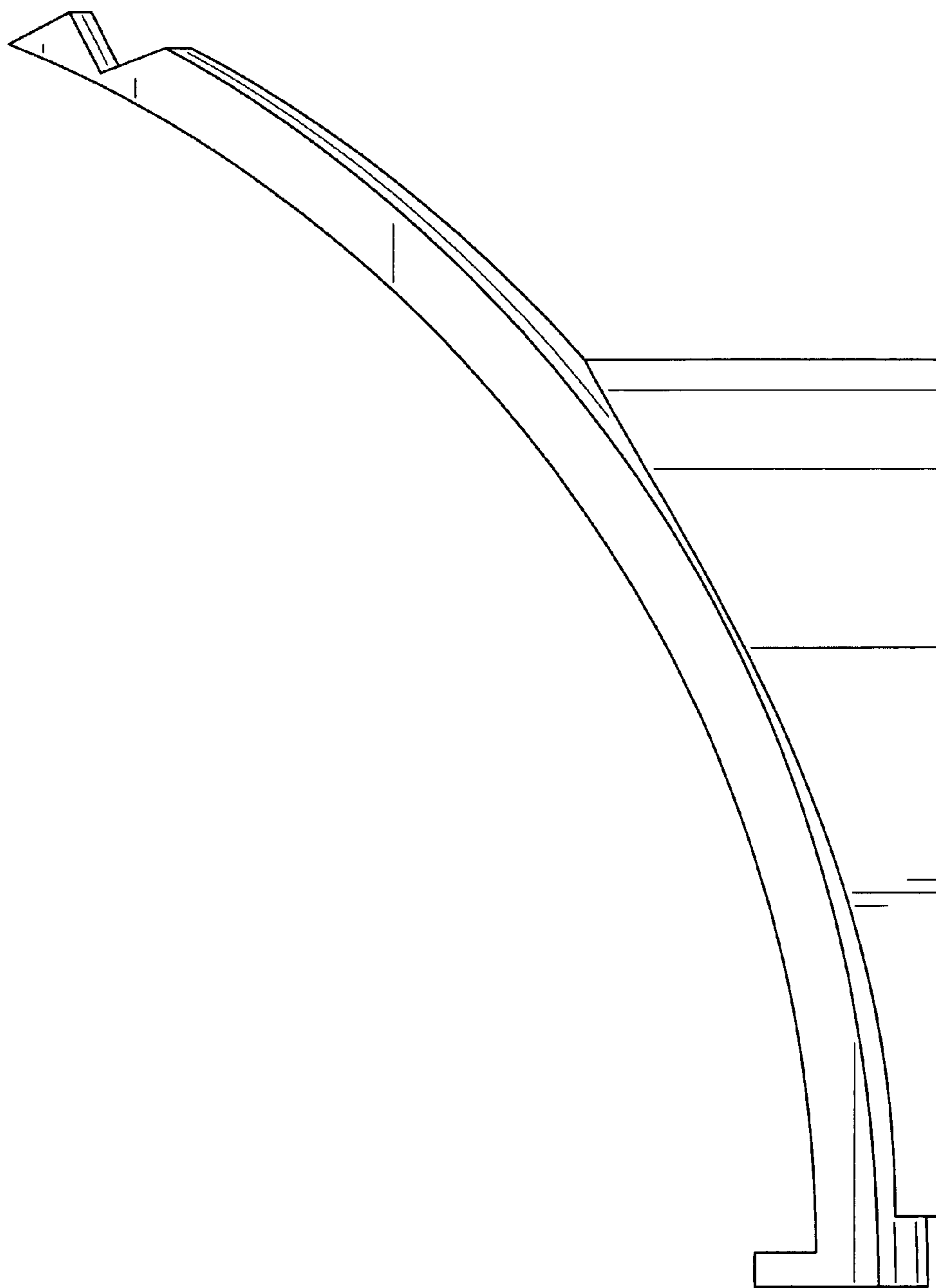


FIG. 4

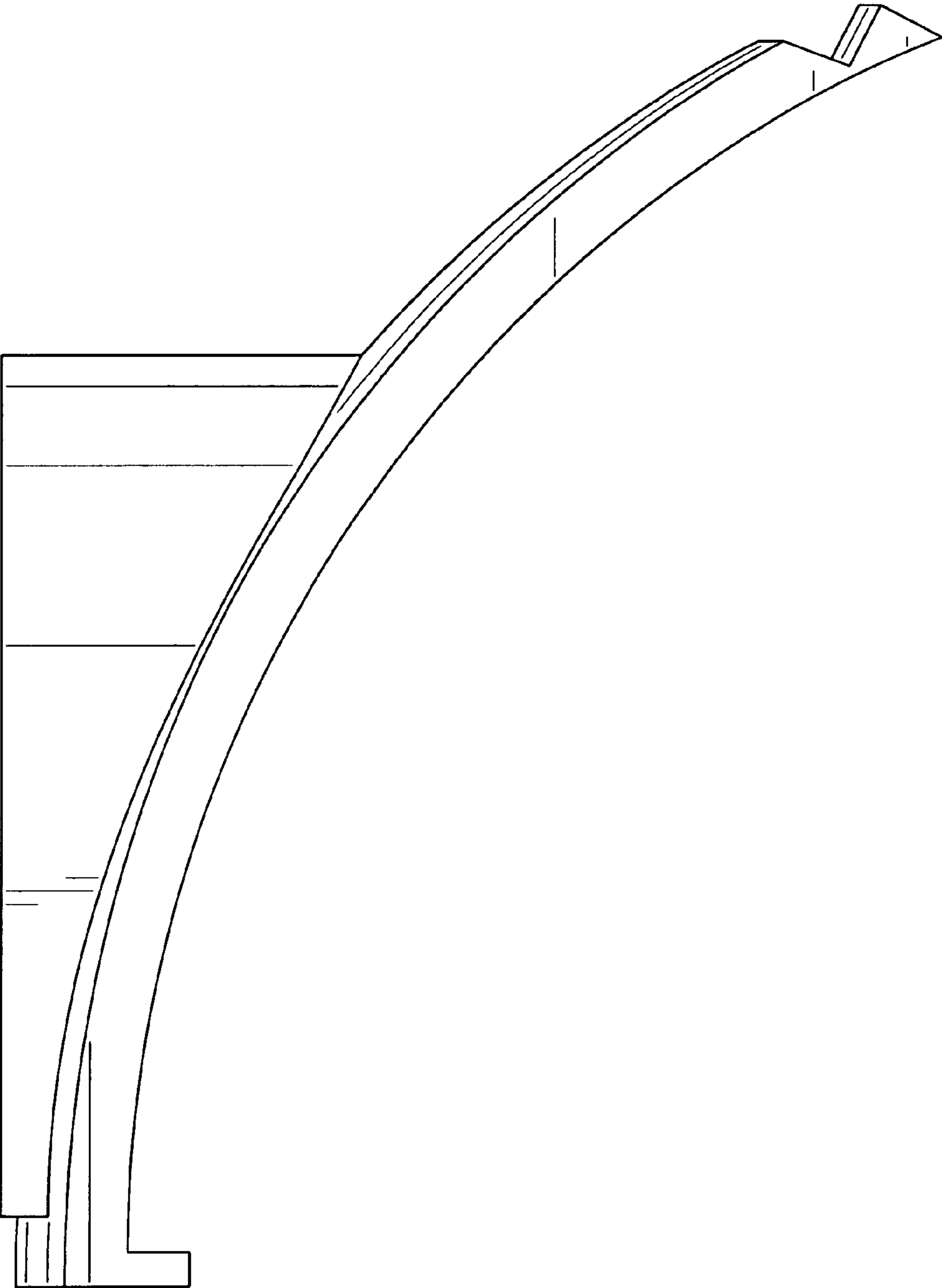


FIG. 5

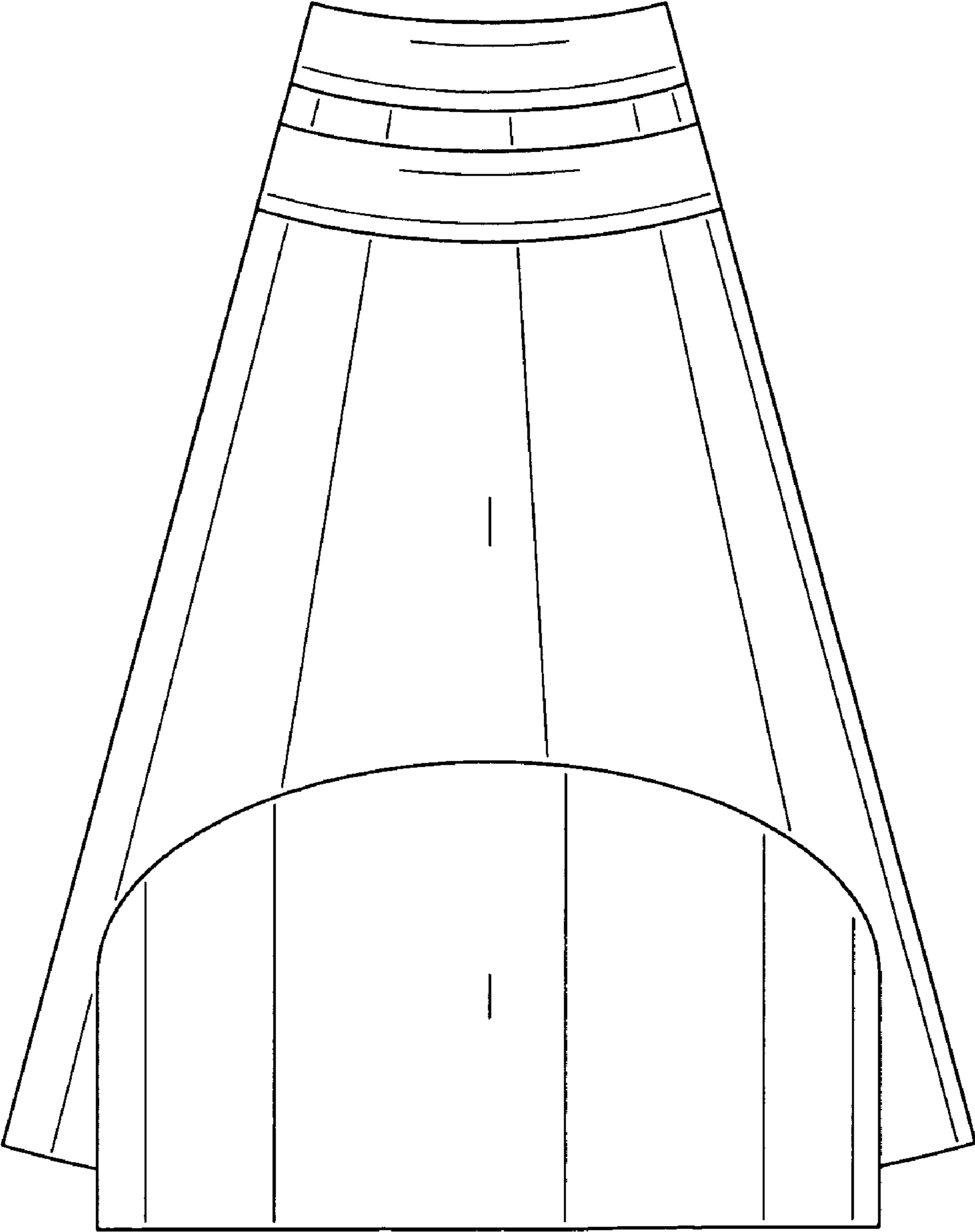


FIG. 6

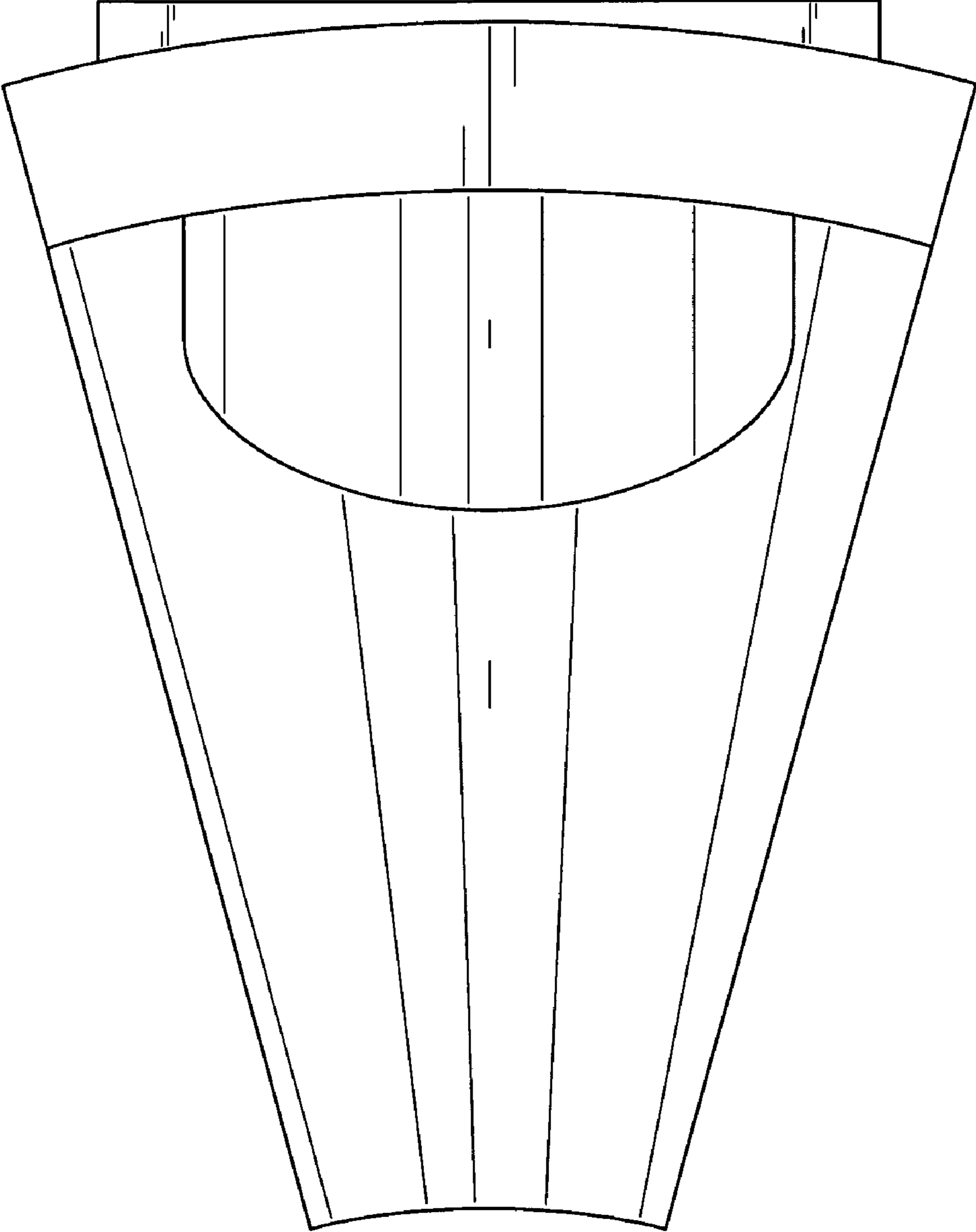


FIG. 7

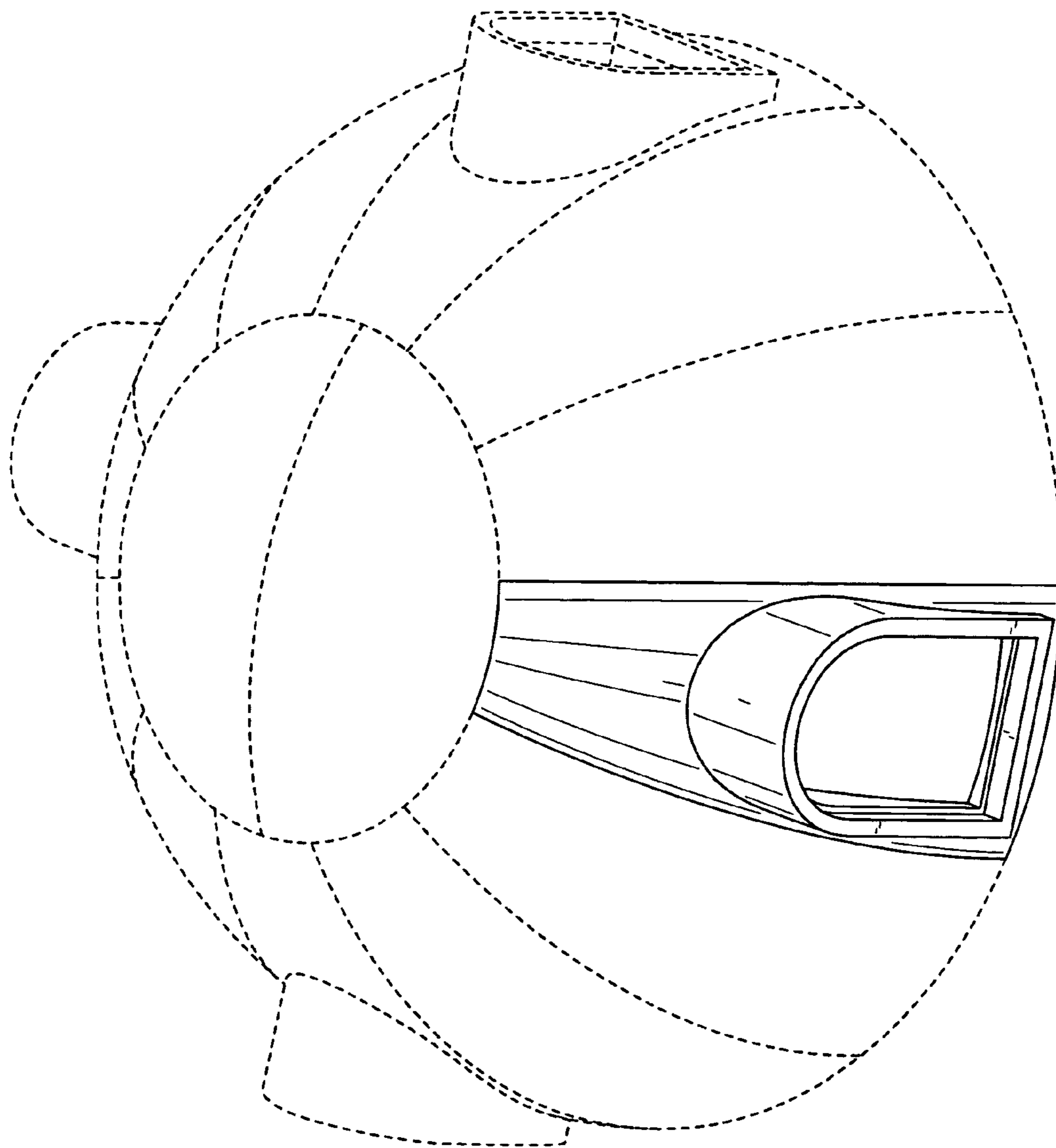


FIG. 8