



US00D629915S

(12) **United States Design Patent**
Chia et al.

(10) **Patent No.:** **US D629,915 S**

(45) **Date of Patent:** **** Dec. 28, 2010**

(54) **TRANSPARENT TUBE HOLDER ASSEMBLY WITH INTERNAL AND EXTERNAL RIBS**

2002/0156439 A1* 10/2002 Iskra 600/573

* cited by examiner

(75) Inventors: **Neville Yu Leng Chia**, Singapore (SG);
Matthew Siang Si Woo, Singapore (SG)

Primary Examiner—T. Chase Nelson

Assistant Examiner—Anhdao Doan

(73) Assignee: **Becton, Dickinson and Company**,
Franklin Lakes, NJ (US)

(74) *Attorney, Agent, or Firm*—The Webb Law Firm

(**) Term: **14 Years**

(57) **CLAIM**

(21) Appl. No.: **29/343,313**

The ornamental design for a transparent tube holder assembly with internal and external ribs, as shown and described.

(22) Filed: **Sep. 10, 2009**

DESCRIPTION

(51) **LOC (9) Cl.** **24-01**

FIG. 1 is a generally top-directed perspective view of a transparent tube holder assembly with internal and external ribs in accordance with an embodiment of the present invention;

(52) **U.S. Cl.** **D24/224**

FIG. 2 is a generally bottom-directed perspective view of the transparent tube holder assembly of FIG. 1;

(58) **Field of Classification Search** D24/216,
D24/222–226, 227, 229, 230, 231, 232, 169,
D24/112–114; D10/81; D3/203.1–203.8;
422/99, 102; D9/503, 504, 505, 529, 530,
D9/549; 435/288.1, 288.3, 288.4, 304.1,
435/305.1, 305.3, 305.4

FIG. 3 is a top view of the transparent tube holder assembly with internal and external ribs of FIG. 1;

See application file for complete search history.

FIG. 4 is a front view of the transparent tube holder assembly with internal and external ribs of FIG. 1;

(56) **References Cited**

FIG. 5 is a left side view of the transparent tube holder assembly with internal and external ribs of FIG. 1;

U.S. PATENT DOCUMENTS

FIG. 6 is a right side view of the transparent tube holder assembly with internal and external ribs of FIG. 1;

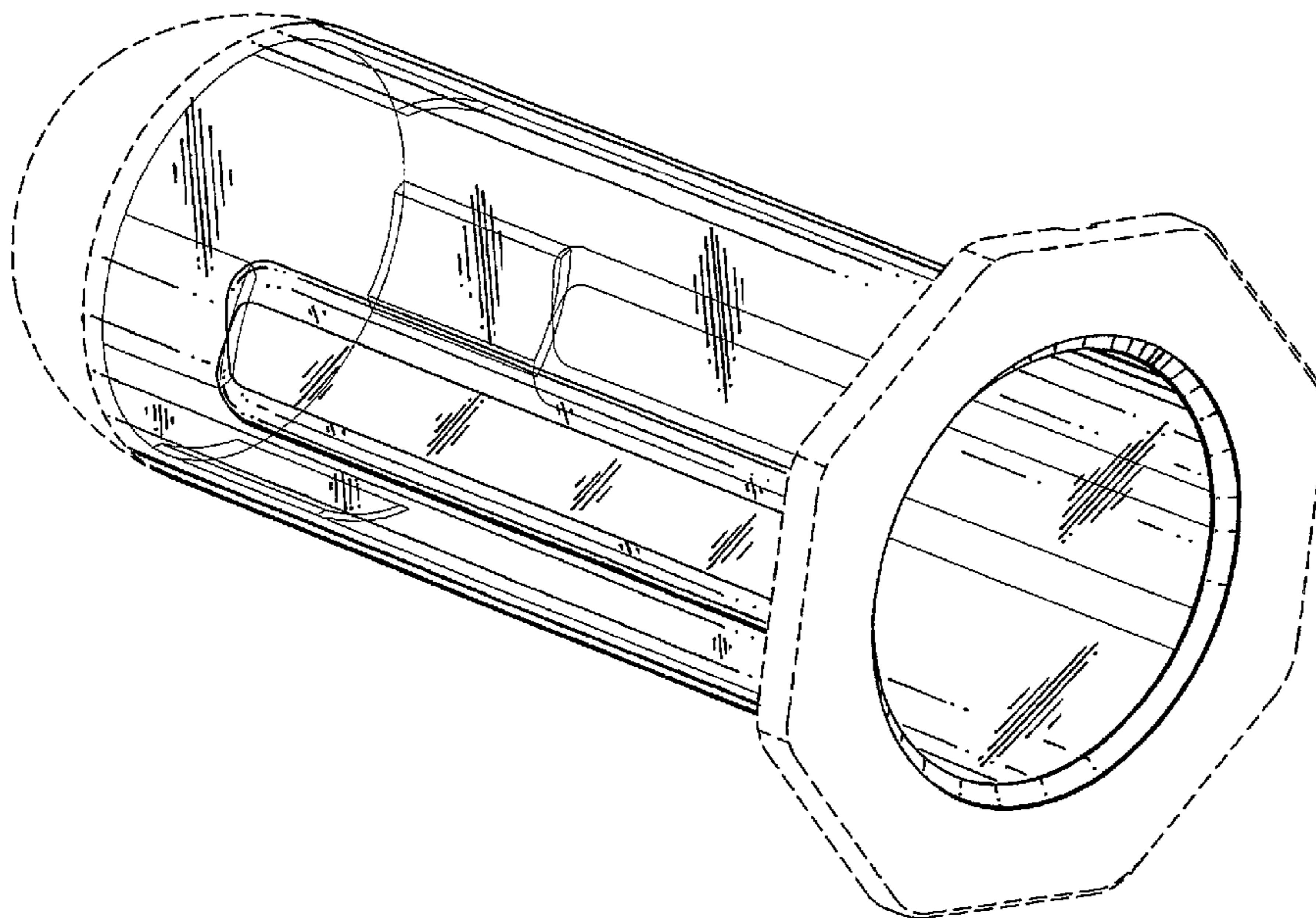
D302,116	S	*	7/1989	Cassai et al.	D9/549
D366,840	S	*	2/1996	Schagerstrom et al.	D24/224
5,569,286	A	*	10/1996	Peckham et al.	606/181
5,900,291	A	*	5/1999	Pebbles	422/102
D448,672	S	*	10/2001	Cheng et al.	D9/530
D494,475	S	*	8/2004	Thierjung et al.	D9/549
D512,641	S	*	12/2005	Anderson et al.	D9/530
D518,727	S	*	4/2006	Haley et al.	D9/504
D545,678	S	*	7/2007	Dittmer et al.	D9/504
D610,906	S	*	3/2010	Simmons et al.	D9/504
D610,907	S	*	3/2010	Robillard et al.	D9/504
D611,817	S	*	3/2010	Simmons et al.	D9/504

FIG. 7 is a bottom view of the transparent tube holder assembly with internal and external ribs of FIG. 1; and,

FIG. 8 is a rear view of the transparent tube holder assembly with internal and external ribs of FIG. 1.

The broken lines in the drawing views are included for the purpose of illustrating portions of the tube holder assembly with octagonal proximal flange that form no part of the claimed design.

1 Claim, 7 Drawing Sheets



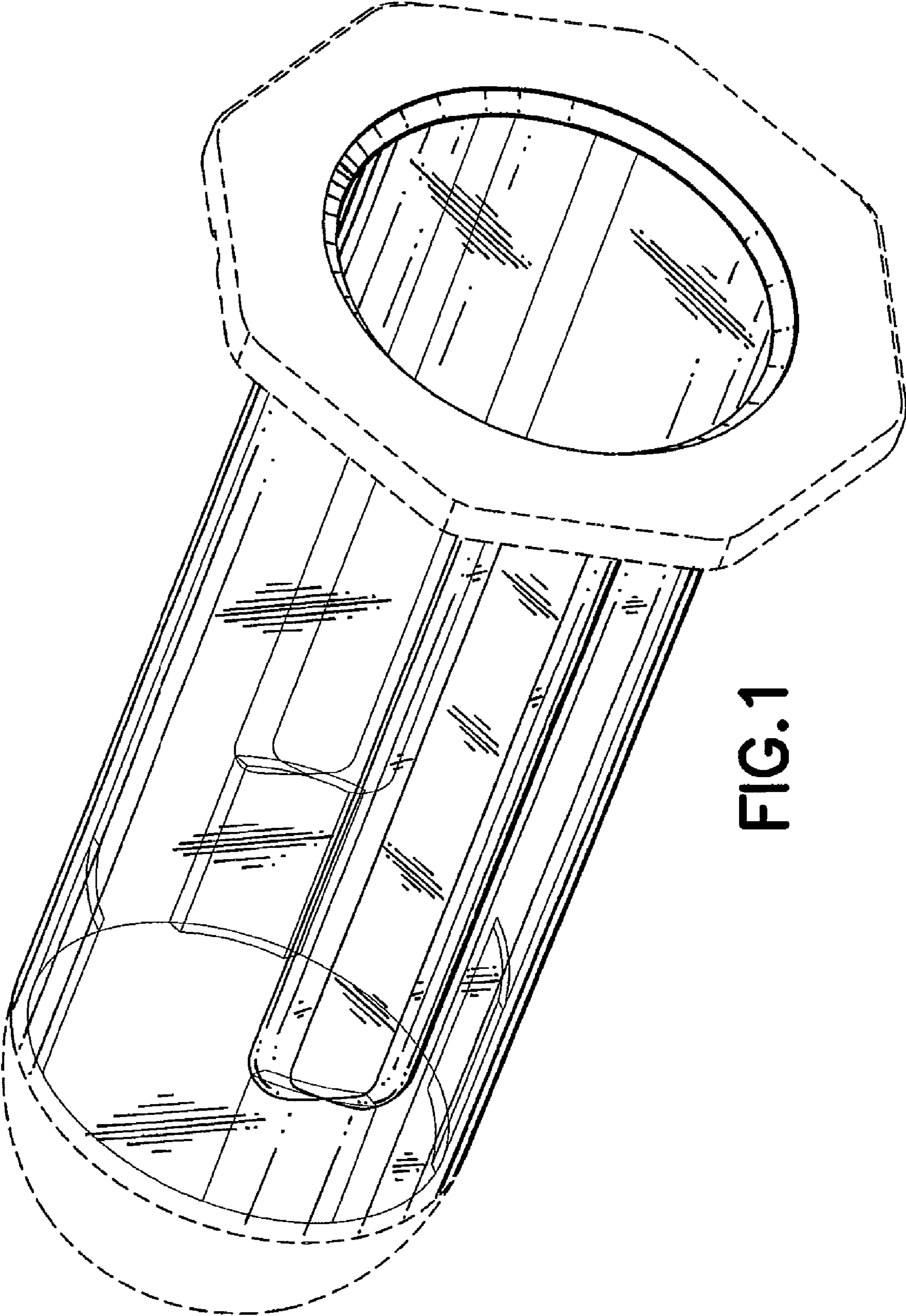


FIG. 1

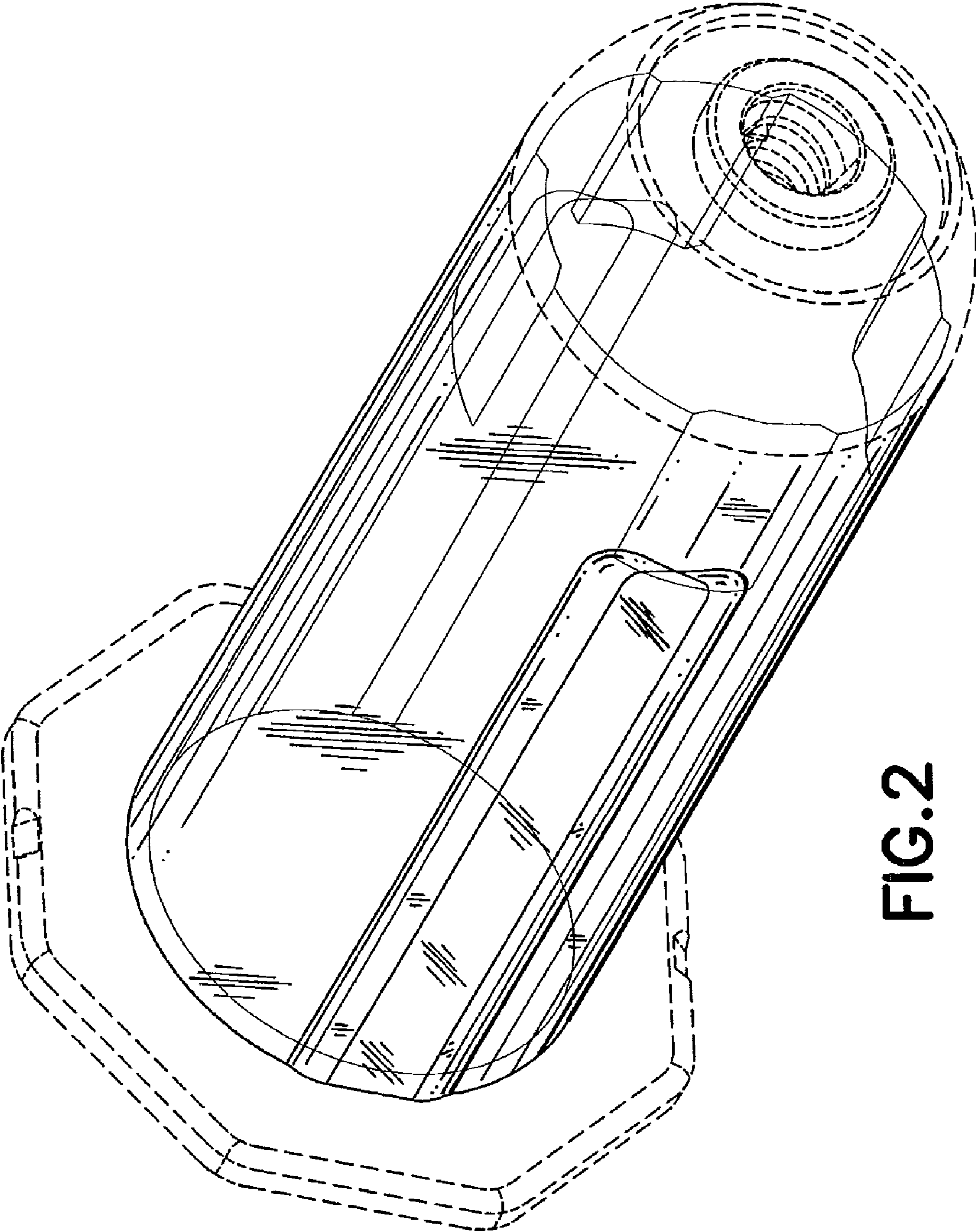


FIG. 2

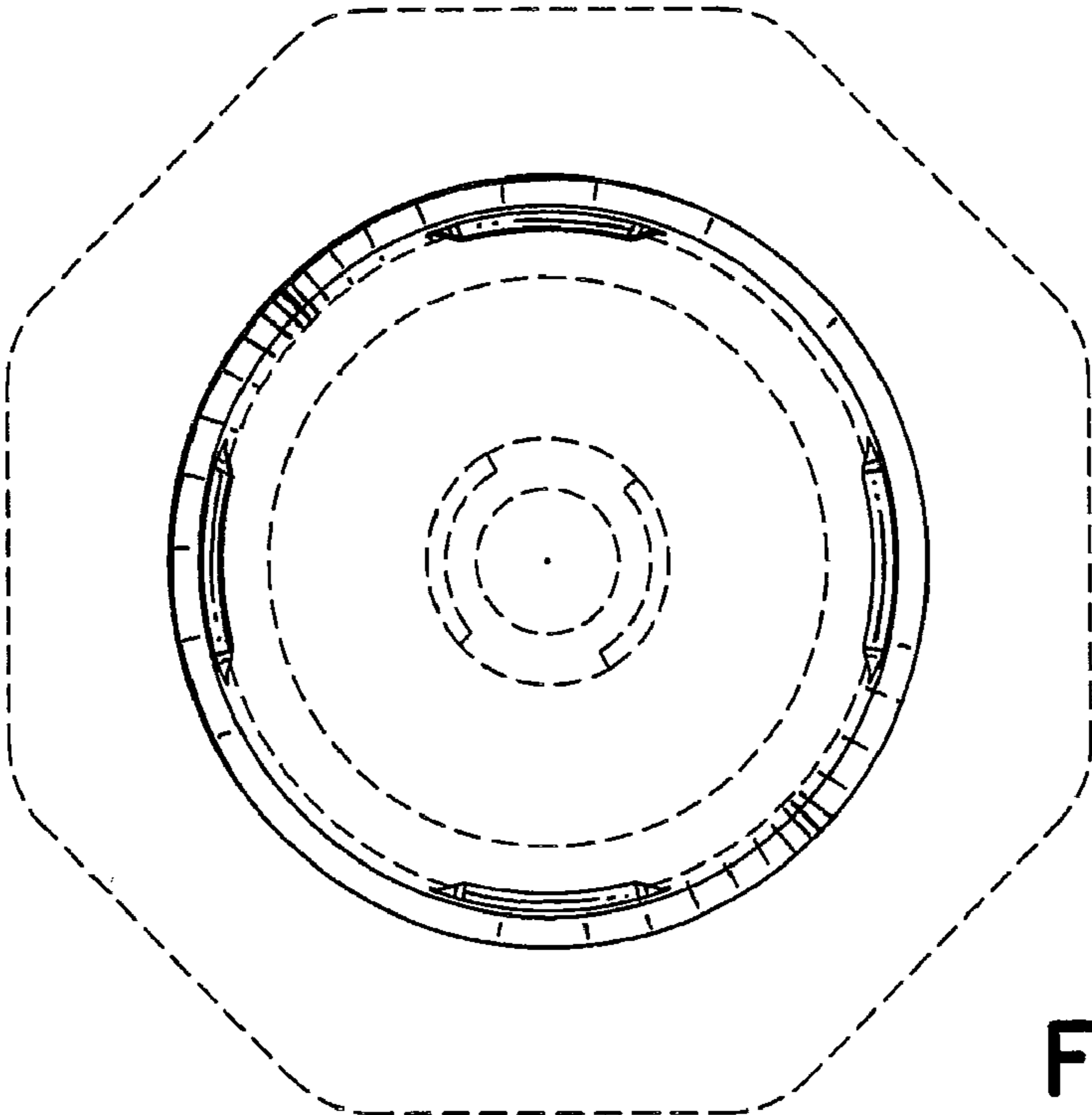


FIG. 3

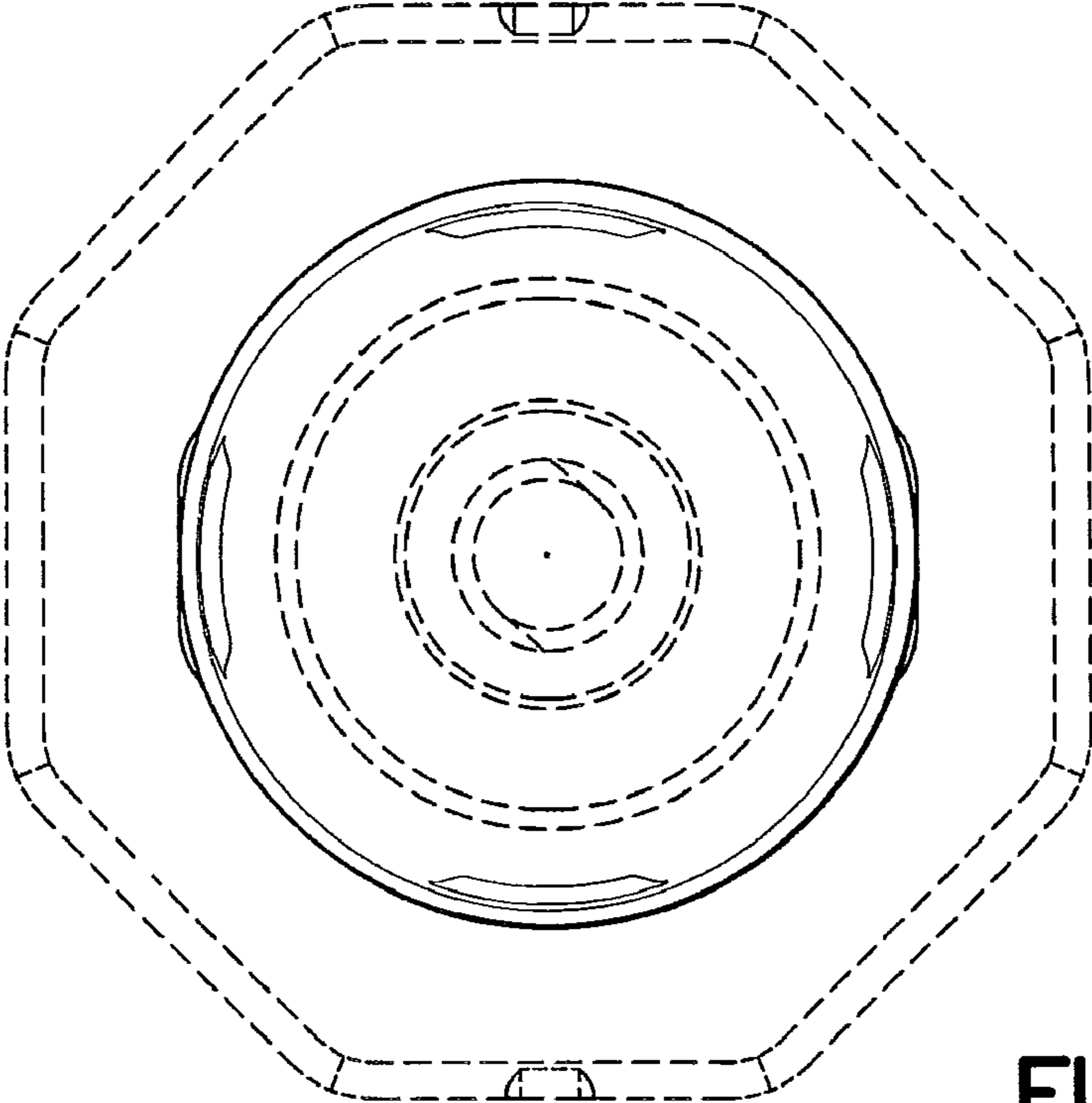


FIG. 7

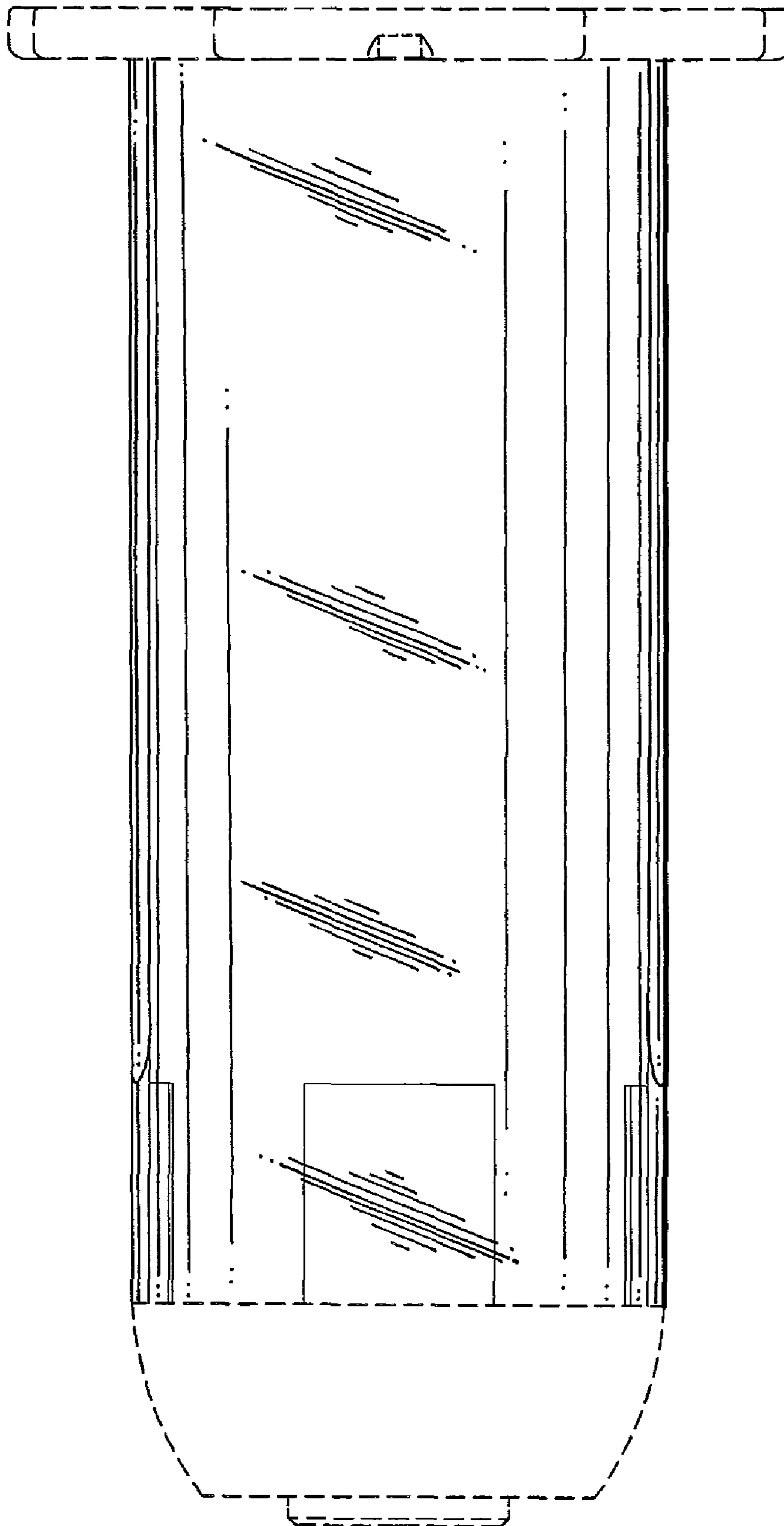


FIG.4

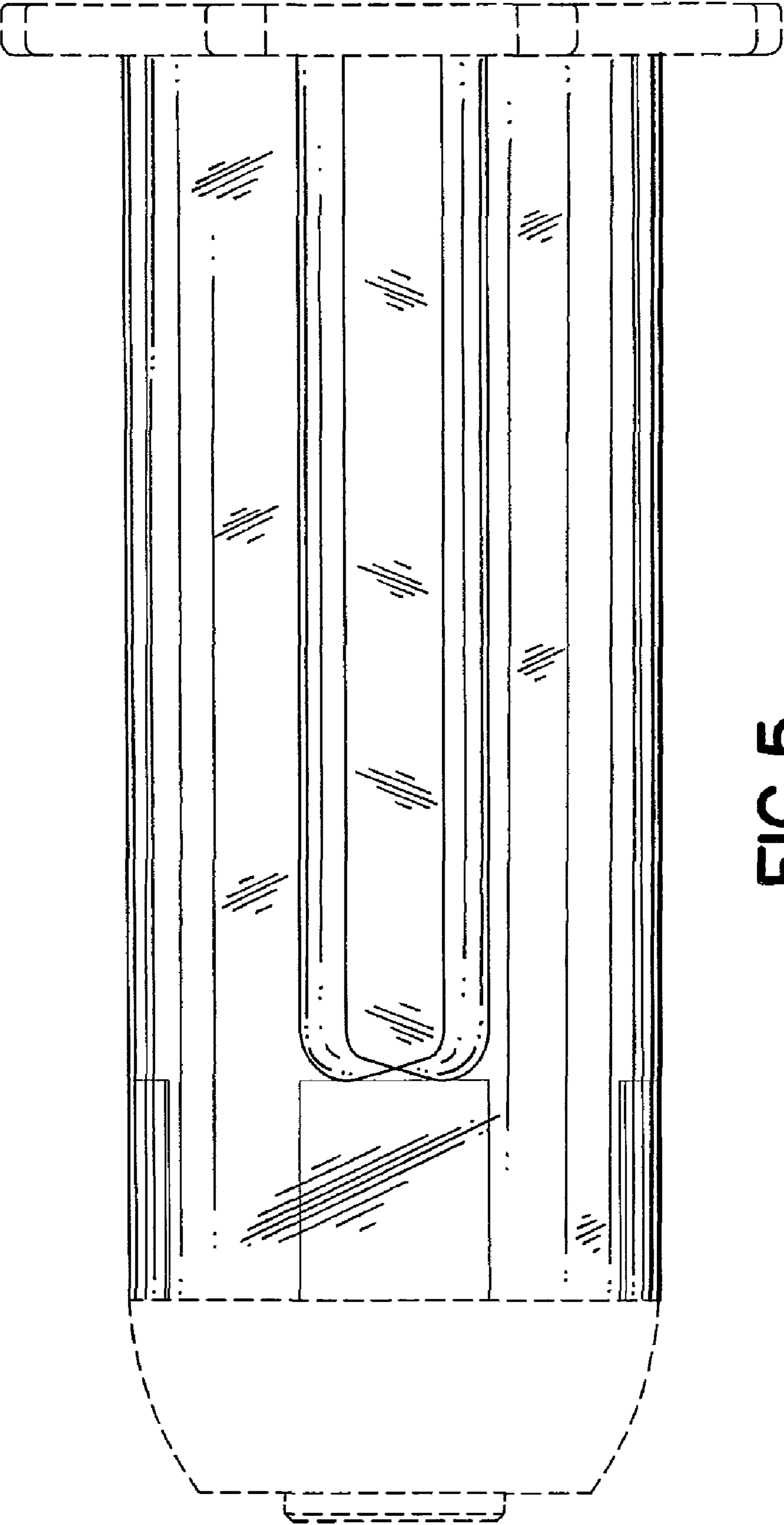


FIG. 5

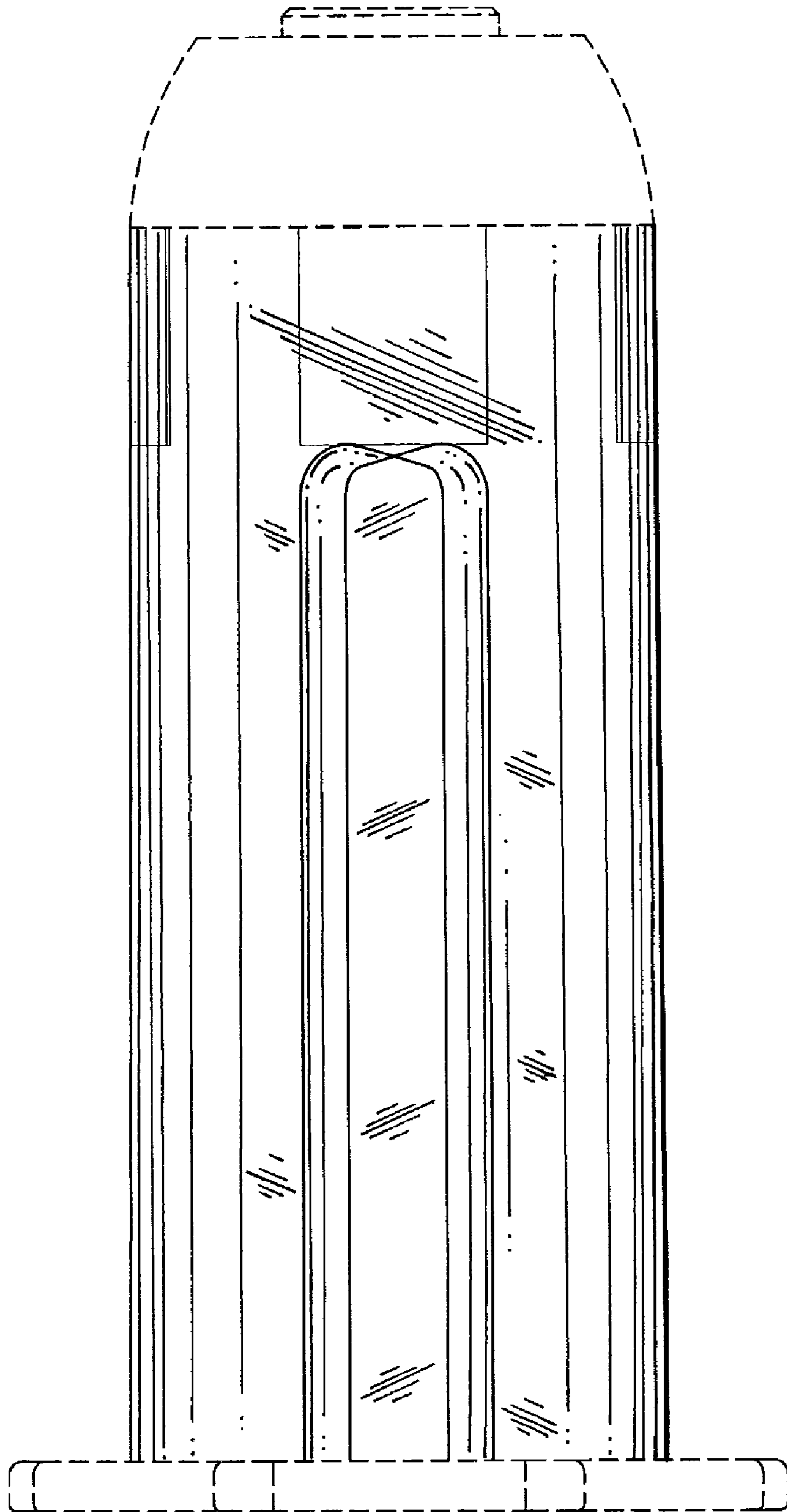


FIG. 6

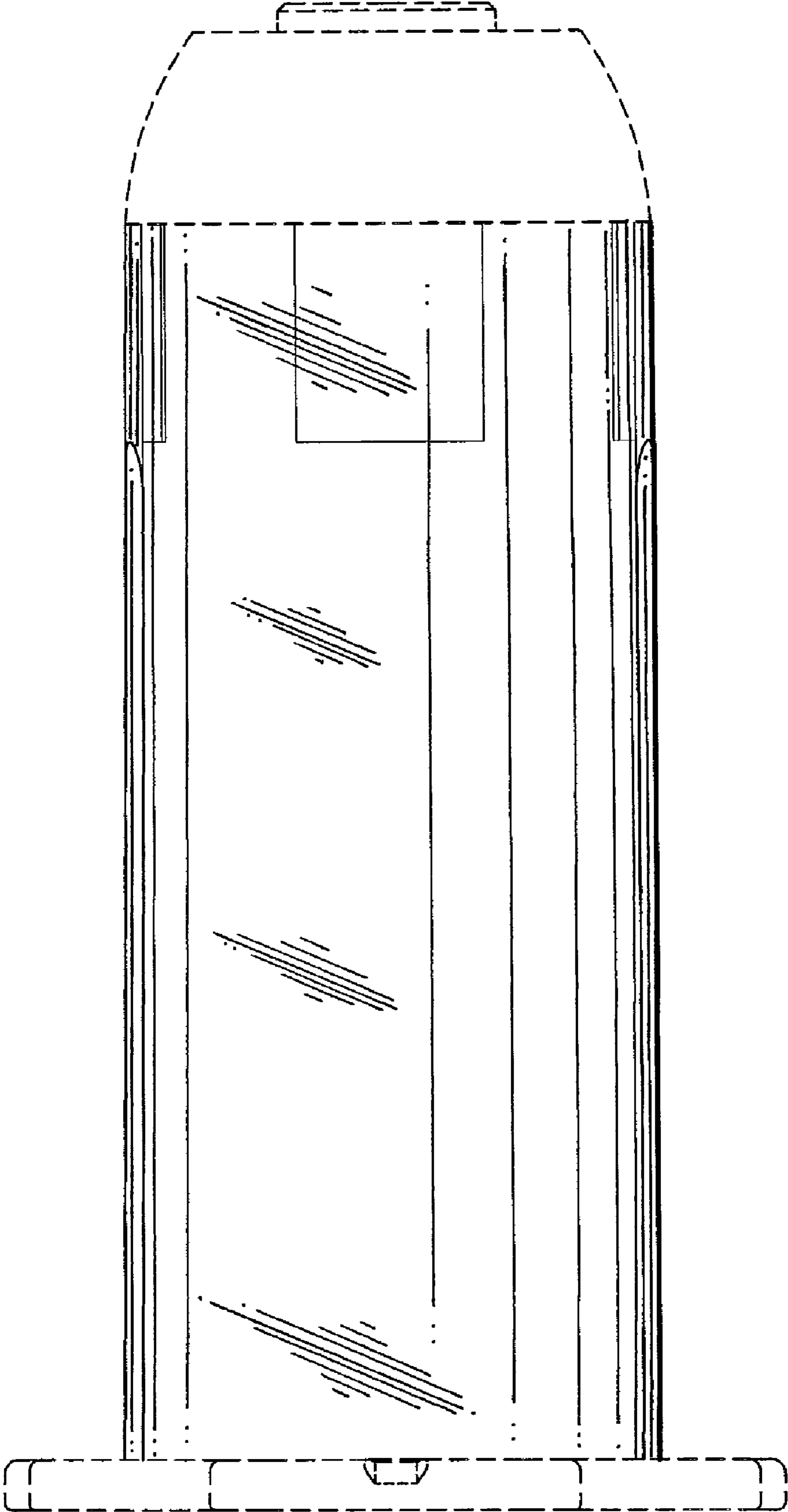


FIG. 8