



US00D629914S

(12) **United States Design Patent**  
**Hunter**

(10) **Patent No.:** **US D629,914 S**

(45) **Date of Patent:** **\*\* Dec. 28, 2010**

(54) **HEATING DEVICE**

(75) Inventor: **Stuart Hunter**, County Down (GB)

(73) Assignee: **Norbrook Laboratories, Ltd.**, Newry,  
County Down (GB)

(\*\*) Term: **14 Years**

(21) Appl. No.: **29/302,496**

(22) Filed: **Jan. 17, 2008**

(30) **Foreign Application Priority Data**

Jul. 20, 2007 (EM) ..... 000763198-0001

(51) **LOC (9) Cl.** ..... **24-04**

(52) **U.S. Cl.** ..... **D24/207**

(58) **Field of Classification Search** ..... D24/207,  
D24/118, 200, 206, 208; D6/604; D21/809;  
126/263.01, 263.04, 263.07; 206/438; 604/87,  
604/89, 113, 114, 408, 415, 416; 607/1,  
607/96, 104, 105, 109, 111, 114

See application file for complete search history.

(56) **References Cited**

**U.S. PATENT DOCUMENTS**

4,077,390 A \* 3/1978 Stanley et al. .... 126/263.04  
D294,971 S \* 3/1988 Wheeler ..... D24/206  
4,790,815 A \* 12/1988 Balteau et al. .... 604/29  
4,804,367 A \* 2/1989 Smith et al. .... 604/113  
4,934,336 A 6/1990 White  
5,263,929 A 11/1993 Falcone et al.  
D342,790 S \* 12/1993 Zona ..... D24/207

5,678,265 A \* 10/1997 Meyer ..... 5/654  
D426,634 S \* 6/2000 Genshock ..... D24/128  
D471,051 S \* 3/2003 Cook et al. .... D6/604  
D474,061 S \* 5/2003 Cook et al. .... D6/604  
H2093 H \* 1/2004 Warner et al. .... 126/263.07  
D511,838 S \* 11/2005 Vedra ..... D24/206  
D526,722 S \* 8/2006 Dodo et al. .... D24/206  
D541,414 S \* 4/2007 Wallace ..... D24/118

**FOREIGN PATENT DOCUMENTS**

GB 2248106 3/1992  
WO 2005056089 A2 6/2005  
WO 2006056015 A1 6/2006

\* cited by examiner

*Primary Examiner*—Prabhakar Deshmukh

*Assistant Examiner*—Derrick Holland

(57) **CLAIM**

The ornamental design for a heating device, as shown and described.

**DESCRIPTION**

FIG. 1 is a perspective view of a heating device showing my new design;

FIG. 2 is a rear elevation view thereof;

FIG. 3 is a left elevation view thereof, the right elevation view being identical thereto;

FIG. 4 is a top plan view thereof;

FIG. 5 is a front elevation view thereof; and,

FIG. 6 is a bottom plan view thereof.

**1 Claim, 2 Drawing Sheets**

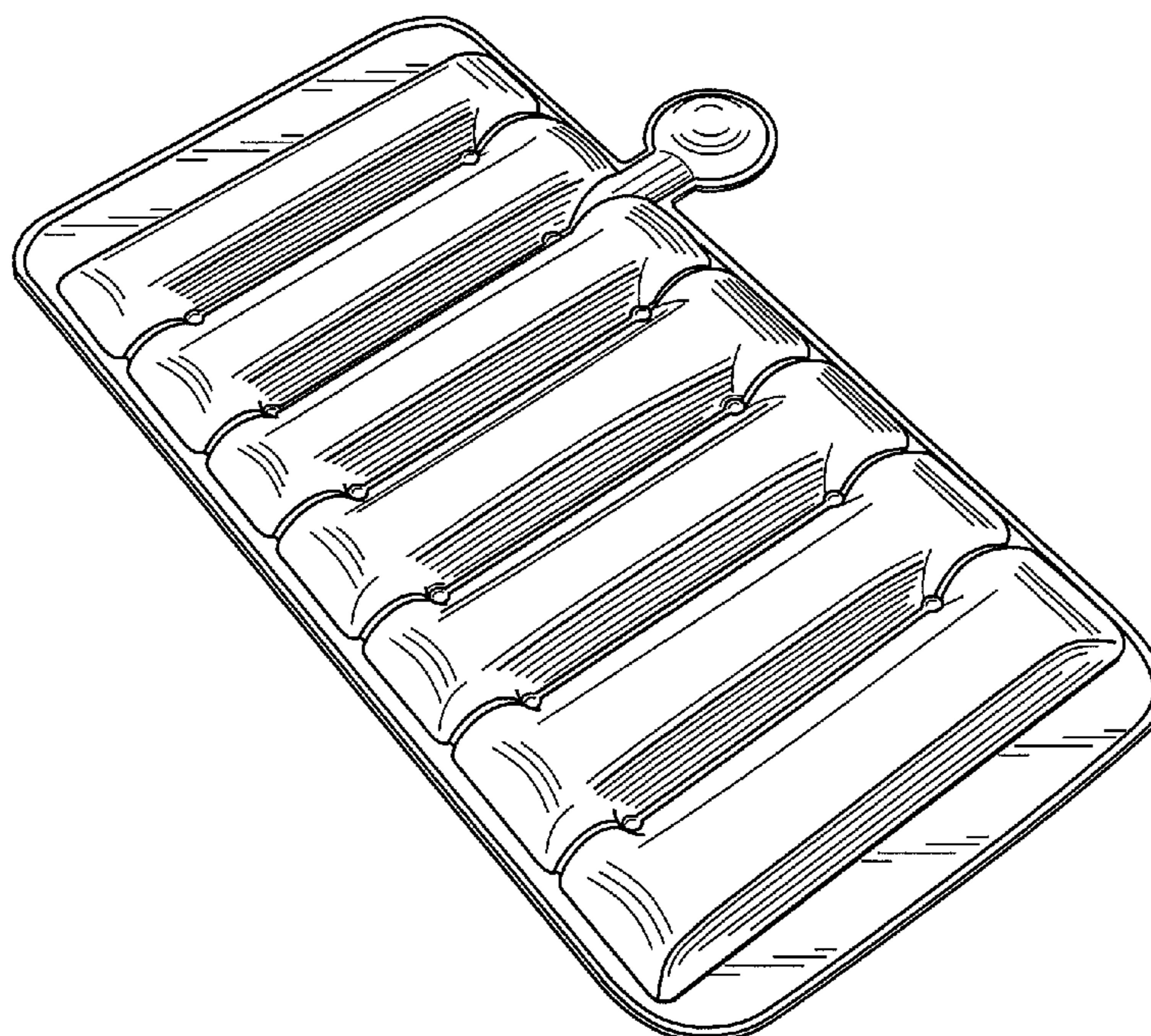


Fig. 1

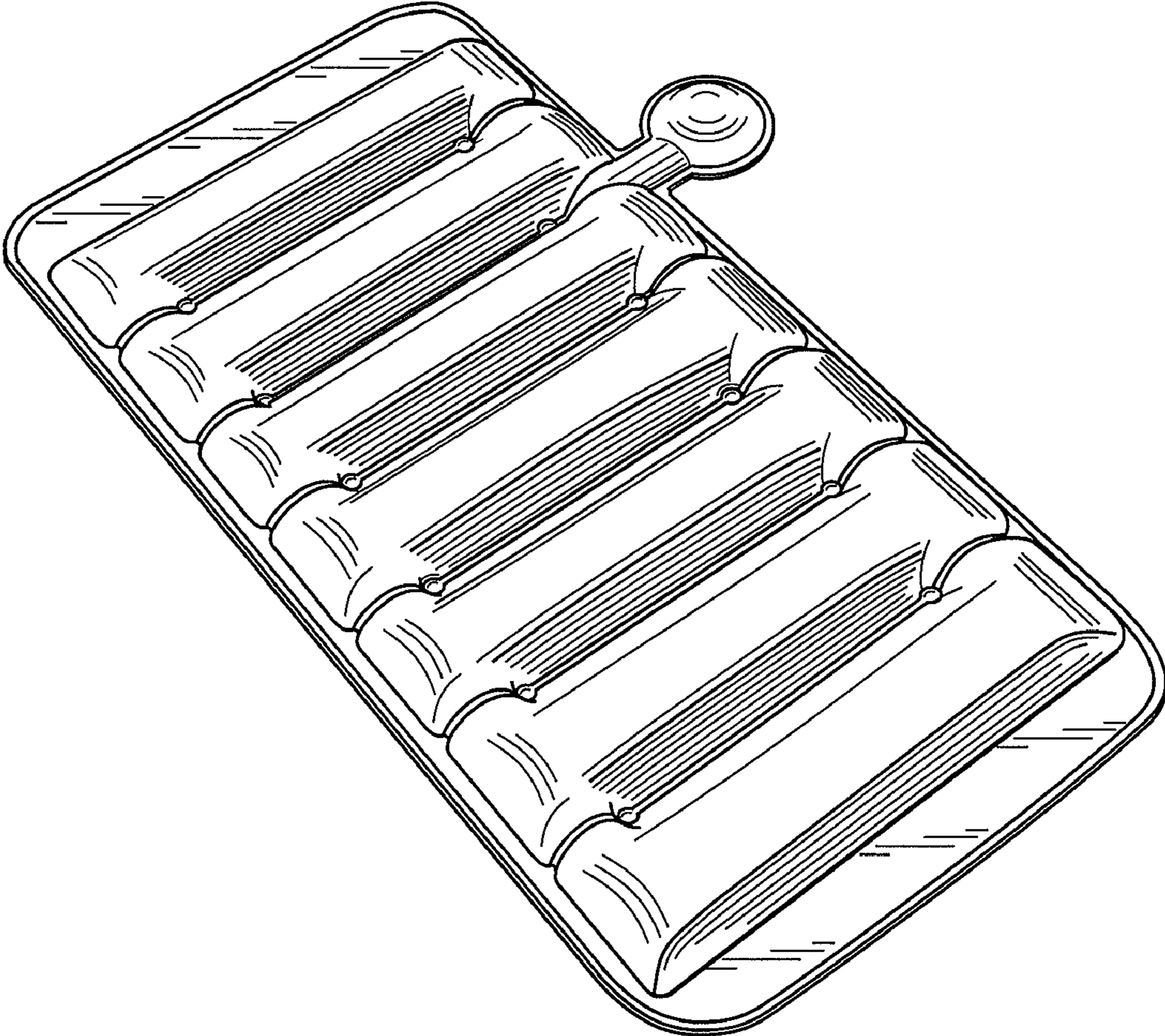


Fig. 2

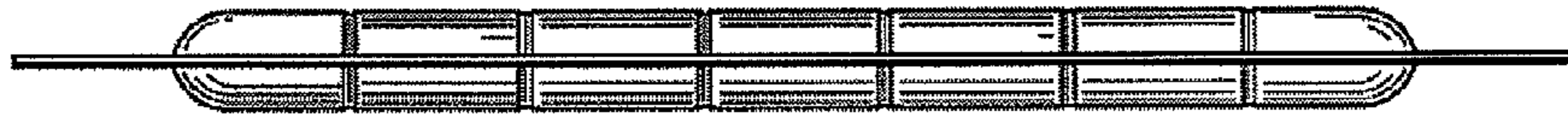


Fig. 3

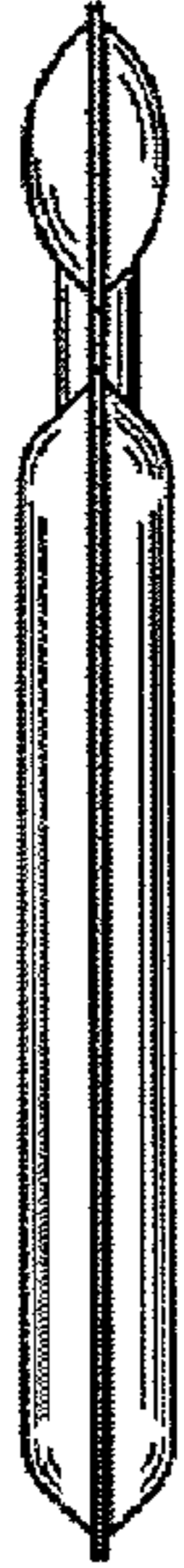


Fig. 4

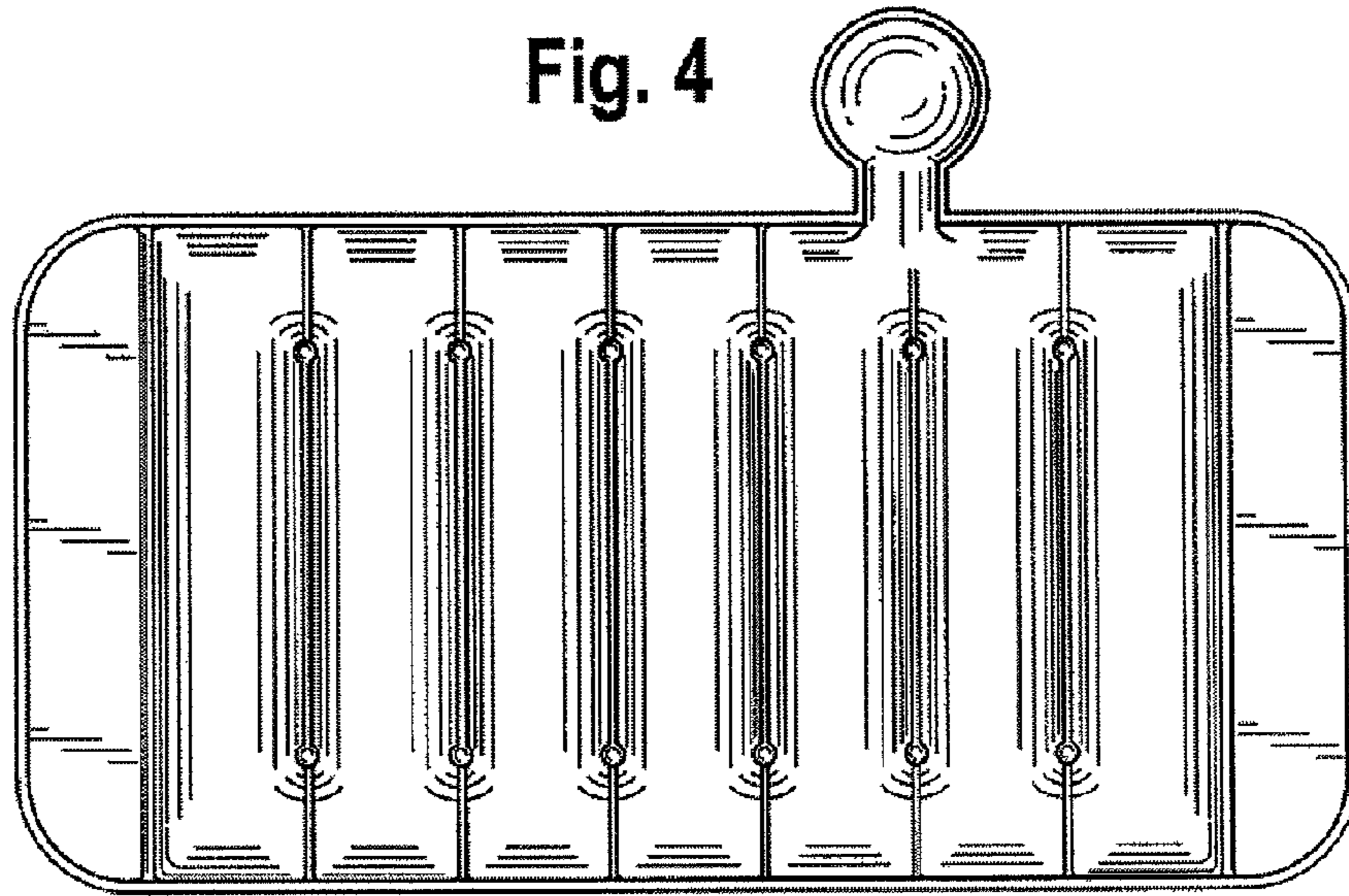


Fig. 5

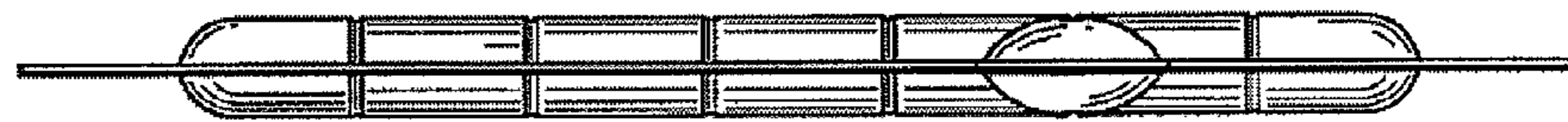


Fig. 6

