



US00D629908S

(12) **United States Design Patent**
Jerger et al.

(10) **Patent No.:** **US D629,908 S**
(45) **Date of Patent:** **** Dec. 28, 2010**

(54) **LASER CONTROL APPARATUS**

(75) Inventors: **Thomas Jerger**, Mössingen (DE);
Andreas Ries, Darmstadt (DE); **Torsten Richter**, Darmstadt (DE); **Fritz Hensel**, Darmstadt (DE)

(73) Assignee: **Sirona Dental Systems GmbH**, Bensheim, DE (US)

(**) Term: **14 Years**

(21) Appl. No.: **29/341,524**

(22) Filed: **Aug. 6, 2009**

(30) **Foreign Application Priority Data**

Feb. 6, 2009 (EM) 001084057-0002

(51) **LOC (9) Cl.** **24-01**

(52) **U.S. Cl.** **D24/176**

(58) **Field of Classification Search** D24/152,
D24/162, 164, 165, 169, 176, 186, 216, 181;
433/25, 32, 83, 88, 89, 141-164; D14/434;
D13/108; D20/21

See application file for complete search history.

(56) **References Cited**

U.S. PATENT DOCUMENTS

D237,202 S *	10/1975	Wilson	D24/181
D281,513 S *	11/1985	Ashton	D20/21
D473,311 S *	4/2003	Sugino	D24/176
D489,323 S *	5/2004	Yoshida	D13/108
D495,336 S *	8/2004	Andre et al.	D14/434
D513,322 S *	12/2005	Jackson et al.	D24/176
D595,328 S	6/2009	Kim et al.	D16/219
D597,216 S *	7/2009	McGuigan et al.	D24/216
D601,262 S *	9/2009	Okawa et al.	D24/186

OTHER PUBLICATIONS

http://sirona.de/ecomaXL/index.php?site=SIRONA_sirolaser_advance. Sirona Dental Systems, Fabrikstraße 31, 64625 Bensheim, Germany. Last accessed Sep. 28, 2009.

http://sirona.de/ecomaXL/index.php?site=SIRONA_sirolaser_advance_bedienung. Sirona Dental Systems, Fabrikstraße 31, 64625 Bensheim, Germany. Last updated Mar. 16, 2009. Last accessed Sep. 28, 2009.
http://sirona.de/ecomaXL/index.php?site=SIRONA_sirolaser_advance_behandlung. Sirona Dental Systems, Fabrikstraße 31, 64625 Bensheim, Germany. Last updated Mar. 19, 2009. Last accessed Sep. 28, 2009.
http://sirona.de/ecomaXL/index.php?site=SIRONA_sirolaser_advance_unterstuetzung. Sirona Dental Systems, Fabrikstraße 31, 64625 Bensheim, Germany. Last updated Mar. 16, 2009. Last accessed Sep. 28, 2009.

(Continued)

Primary Examiner—Charles A Rademaker
(74) *Attorney, Agent, or Firm*—Fitzpatrick, Cella, Harper & Scinto

(57) **CLAIM**

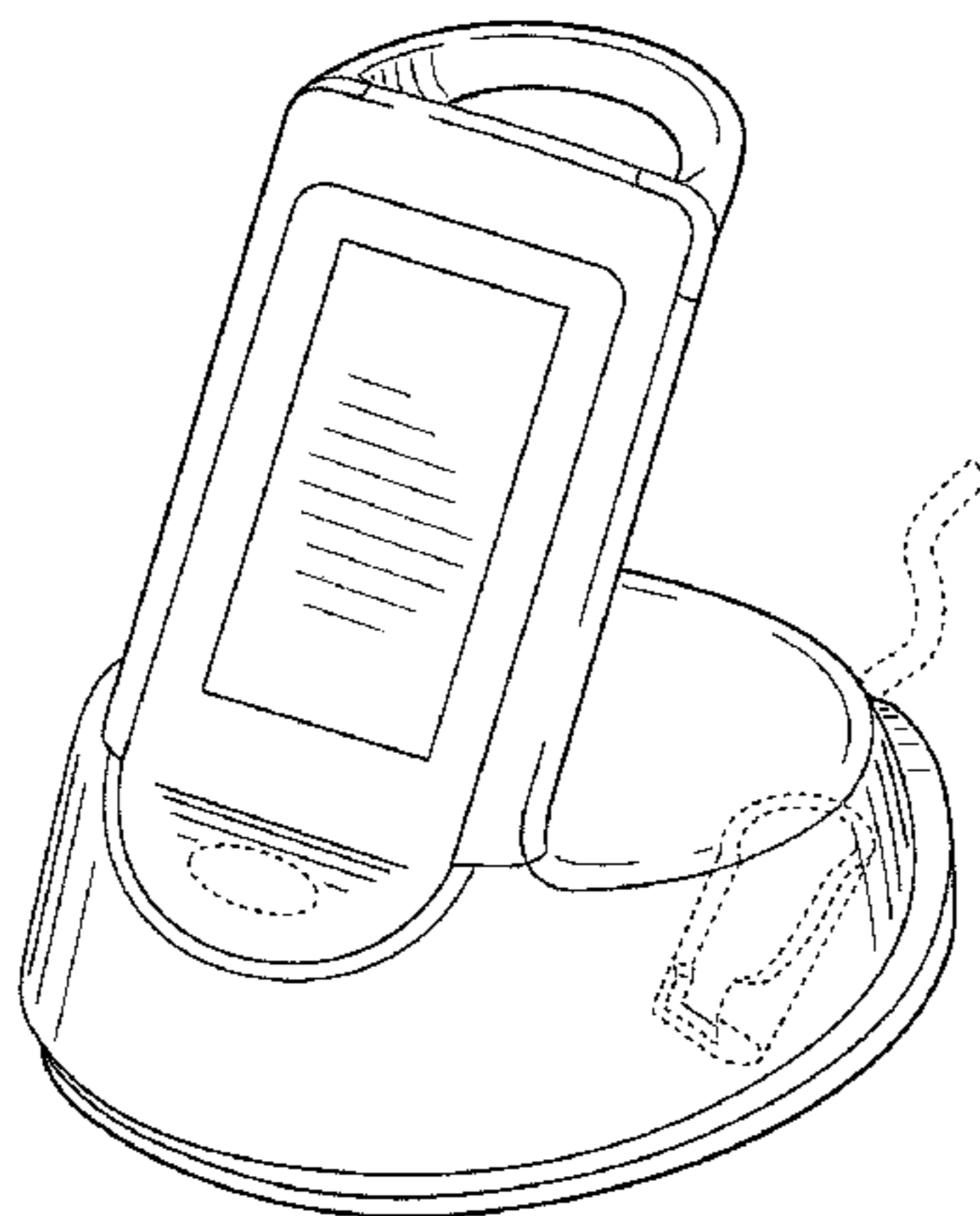
The ornamental design for a laser control apparatus, as shown and described.

DESCRIPTION

FIG. 1 is a perspective view of a laser control apparatus showing our new design;
FIG. 2 is a front elevation thereof;
FIG. 3 is a rear elevation thereof;
FIG. 4 is a right side elevation thereof;
FIG. 5 is a left side elevation thereof;
FIG. 6 is a top plan view thereof; and,
FIG. 7 is a bottom plan view thereof.

The broken lines shown in FIGS. 1-7 are shown for the purpose of illustrating environment and form no part of the claimed design.

1 Claim, 4 Drawing Sheets



OTHER PUBLICATIONS

http://sirona.de/ecomaXL/index.php?site=SIRONA_sirolaser_advance_anwendertraining. Sirona Dental Systems, Fabrikstraße 31, 64625 Bensheim, Germany. Last updated Sep. 3, 2009. Last accessed Sep. 28, 2009.

http://sirona.de/ecomaXL/index.php?site=SIRONA_sirolaser_advance_software. Sirona Dental Systems, Fabrikstraße 31, 64625 Bensheim, Germany. Last updated Mar. 19, 2009. Last accessed Sep. 28, 2009.

SIROLaser Advance—Intuition in ihrer schönsten Form. Sirona Dental Systems, Fabrikstraße 31, 64625 Bensheim, Germany. Mar. 18, 2009.

SIROLaser Advance—Gestalten Sie Ihren Erfolg!. Sirona Dental Systems, Fabrikstraße 31, 64625 Bensheim, Germany. Jun. 17, 2009.

* cited by examiner

FIG. 1

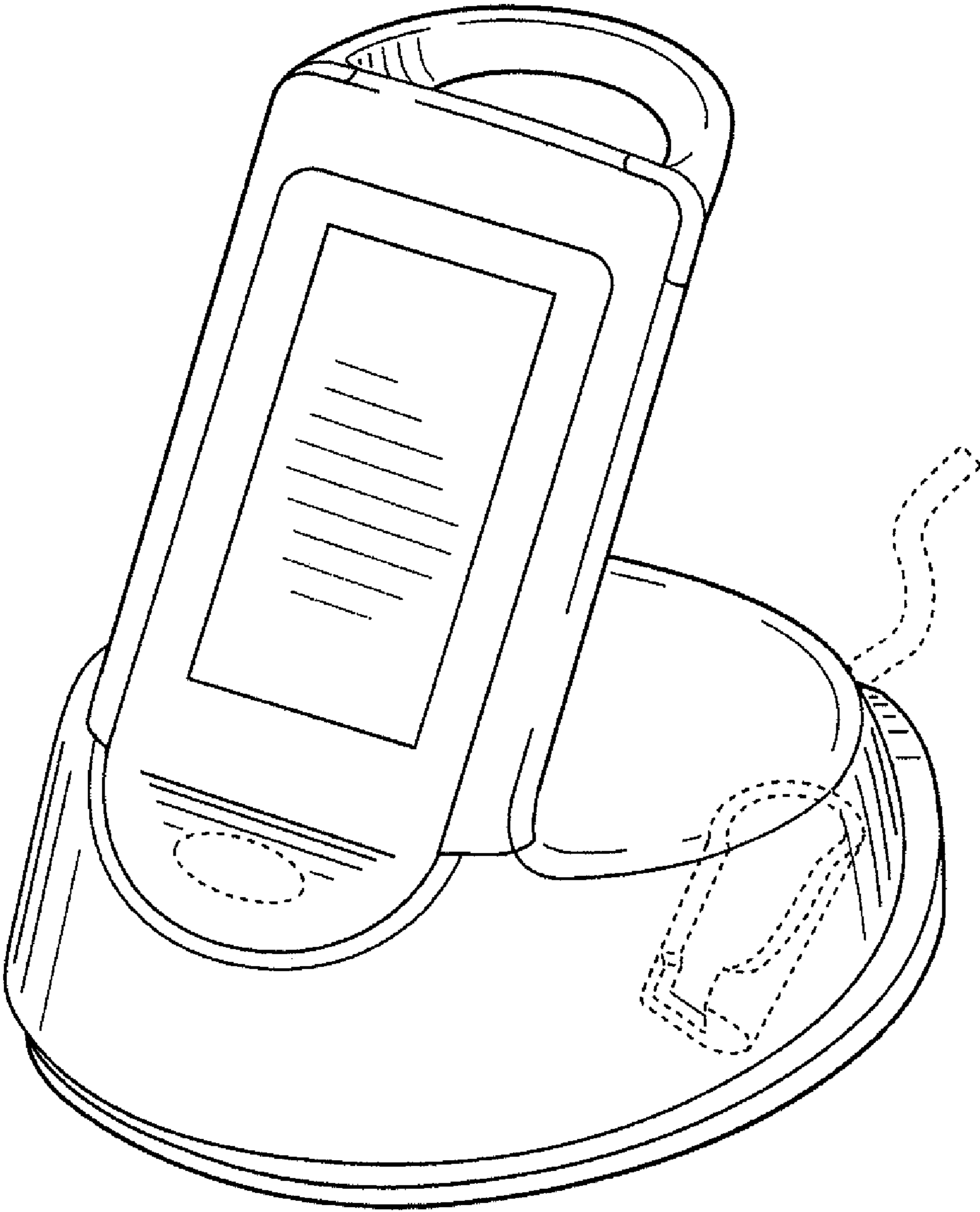


FIG. 3

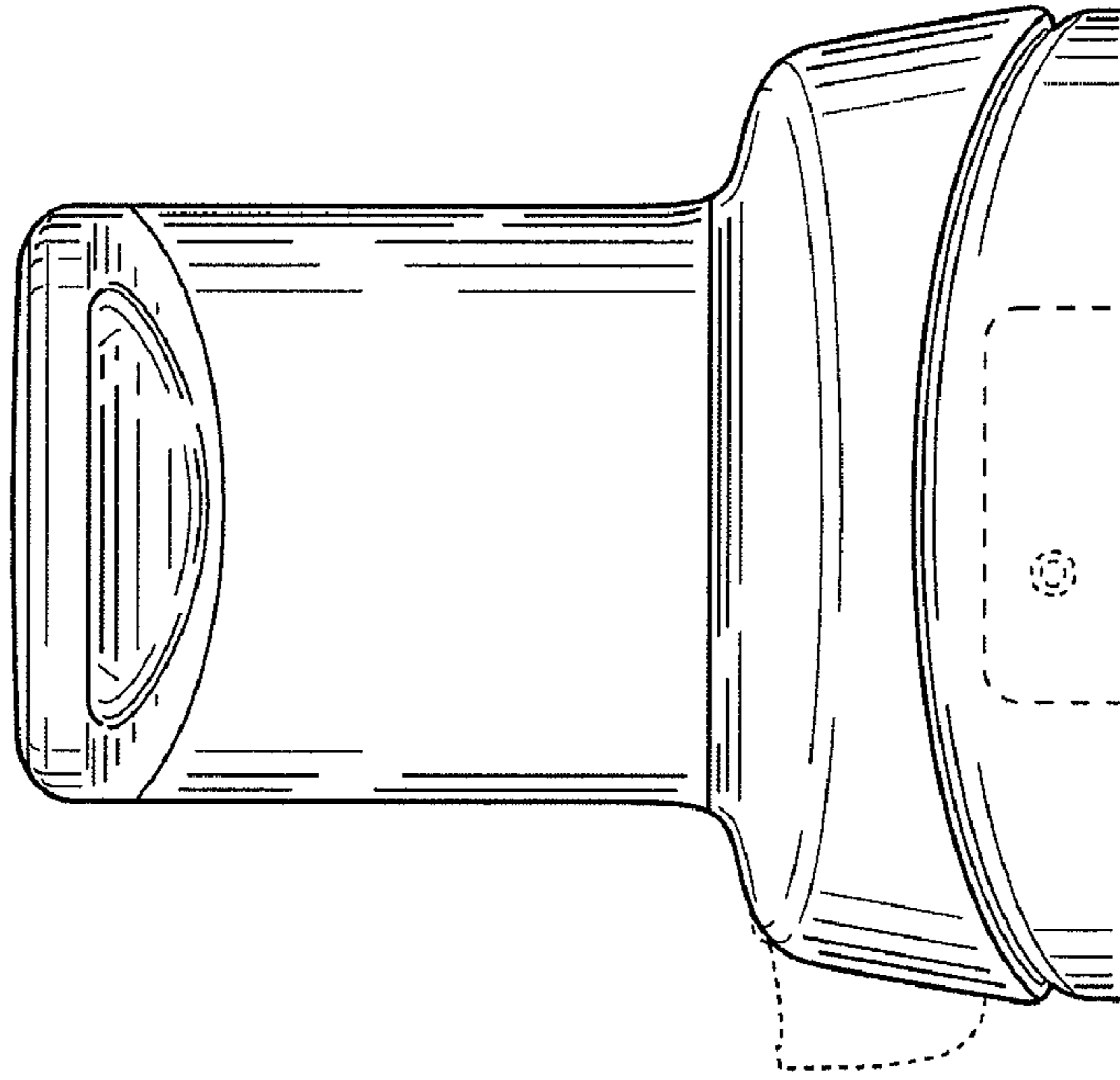


FIG. 2

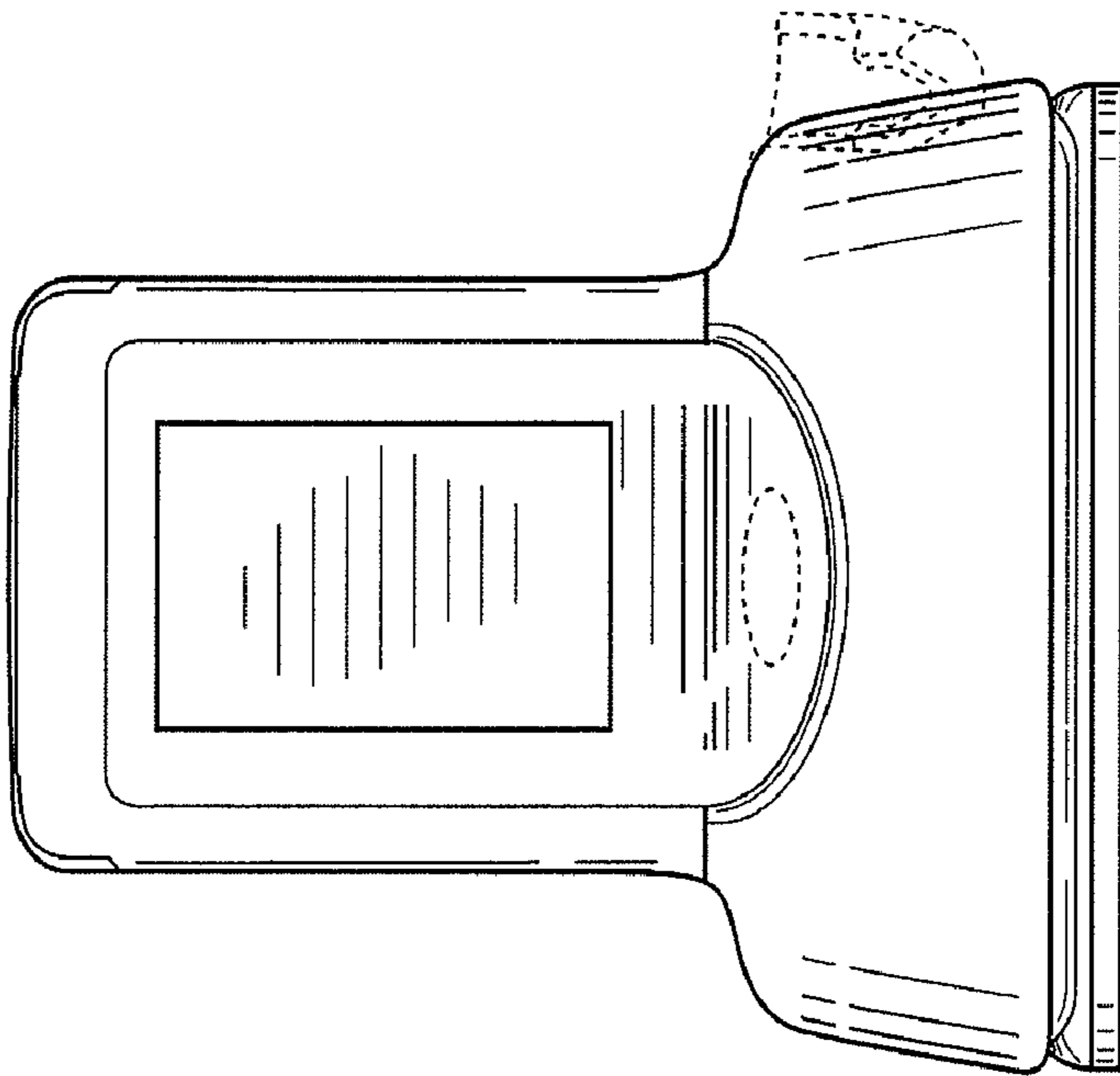


FIG. 5

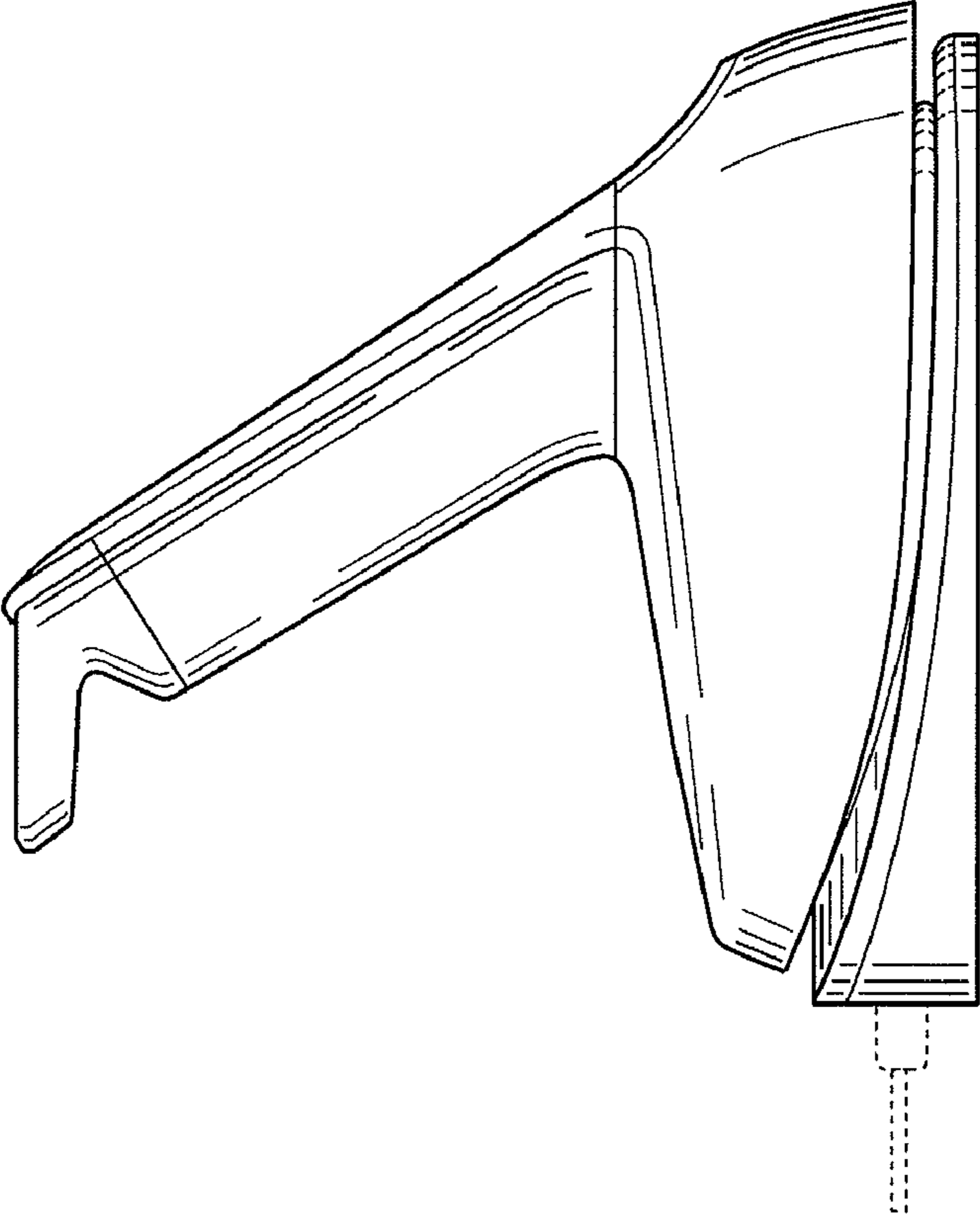


FIG. 4

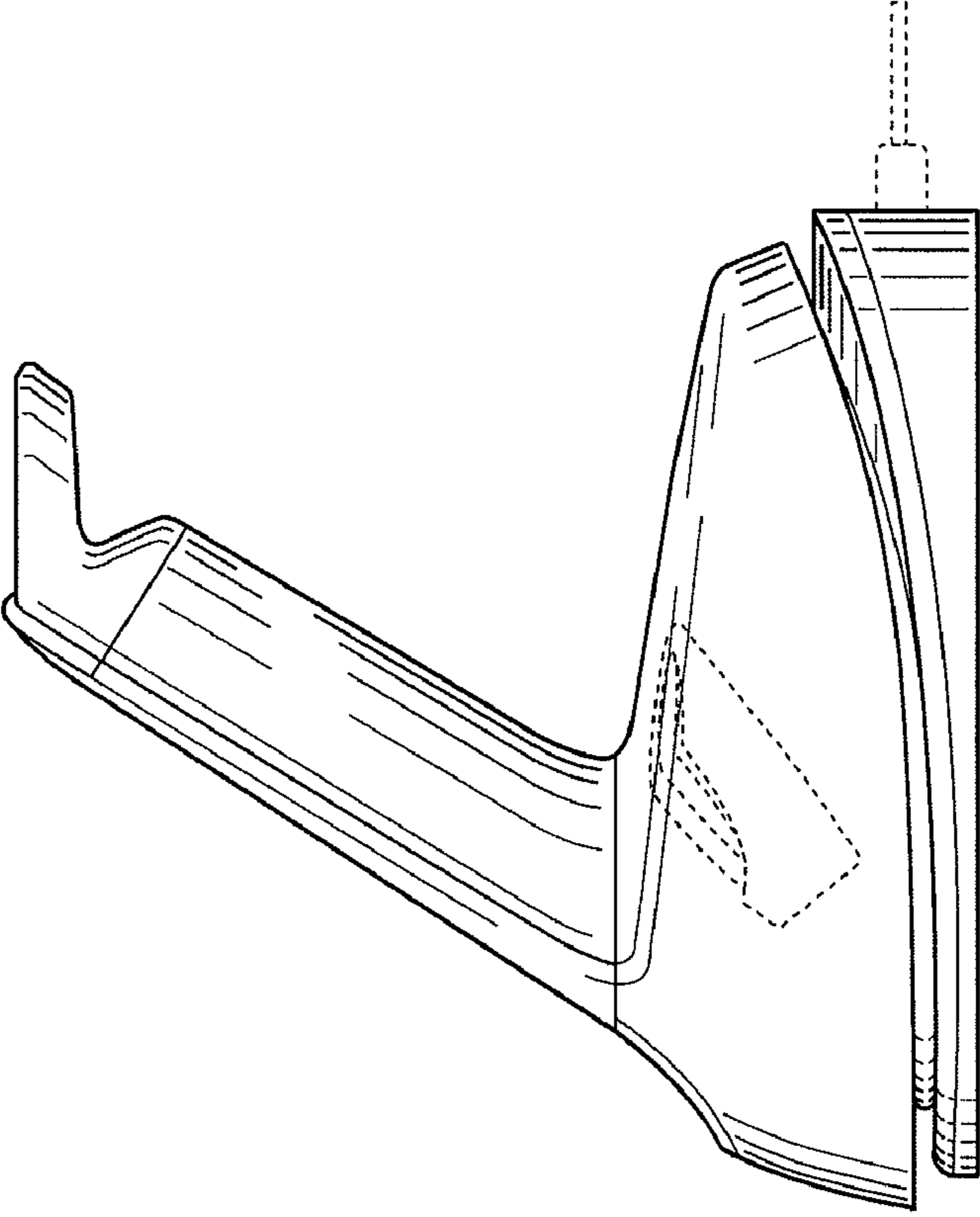


FIG. 6

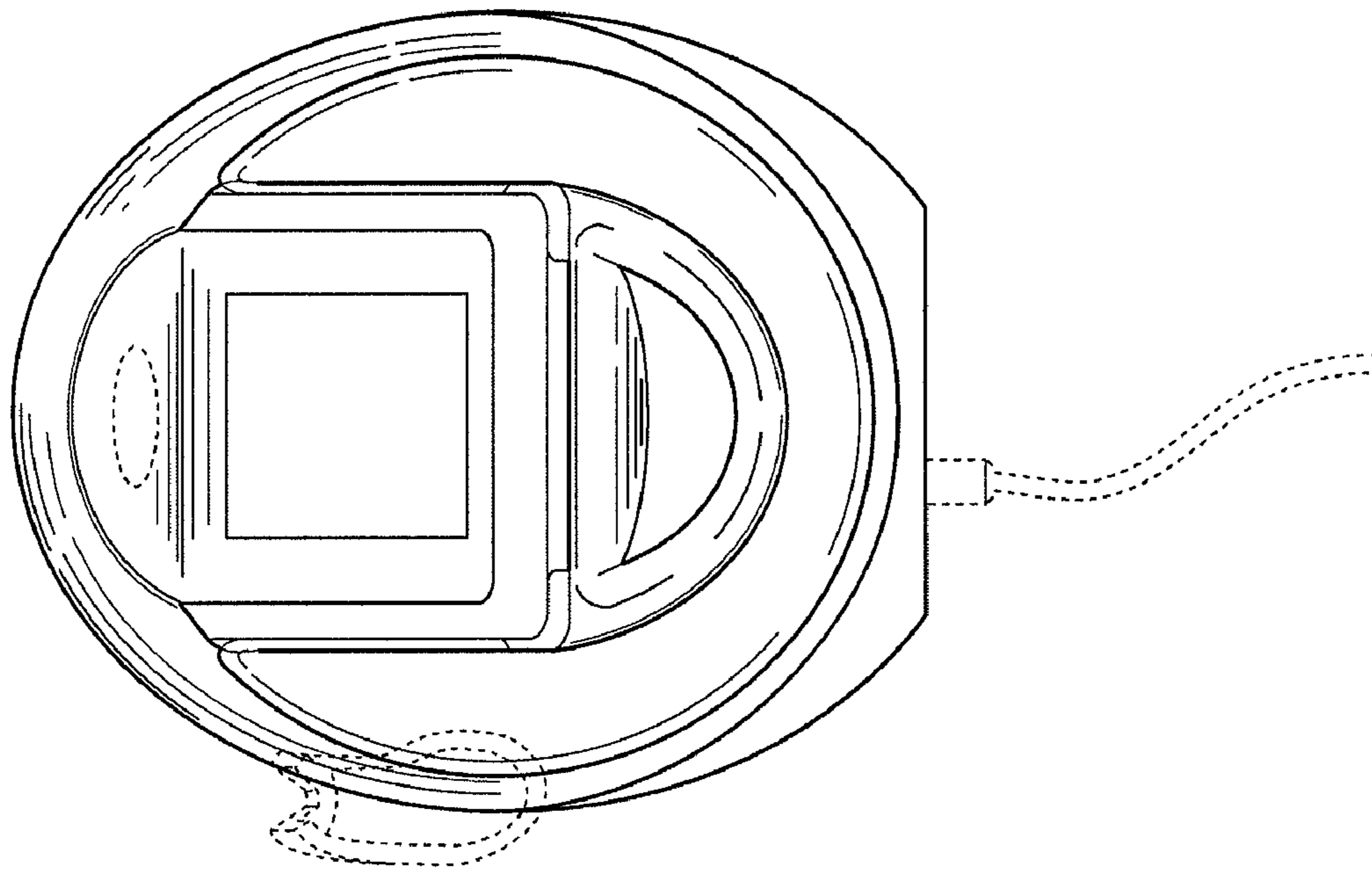


FIG. 7

