



US00D629907S

(12) **United States Design Patent**
Boessneck et al.

(10) **Patent No.:** **US D629,907 S**

(45) **Date of Patent:** **** Dec. 28, 2010**

(54) **DEVICE FOR COUNTING PARTICLES IN BLOOD**

(75) Inventors: **Horst Boessneck**, Jena (DE); **Eugen Ermantraut**, Jena (DE); **Thomas Kaiser**, Hohlstedt (DE); **Torsten Schulz**, Jena (DE)

(73) Assignee: **Clondiag GmbH**, Jena (DE)

(**) Term: **14 Years**

(21) Appl. No.: **29/337,653**

(22) Filed: **May 27, 2009**

(30) **Foreign Application Priority Data**

Nov. 27, 2008 (DE) 40 2008 005 769

(51) **LOC (9) Cl.** **24-01**

(52) **U.S. Cl.** **D24/169**

(58) **Field of Classification Search** D24/169,
D24/186, 216, 223; D10/81; 600/309, 316,
600/322, 365, 368

See application file for complete search history.

(56) **References Cited**

U.S. PATENT DOCUMENTS

D363,124 S *	10/1995	Savage et al.	D24/169
D381,749 S *	7/1997	Lawrence et al.	D24/169
D390,661 S *	2/1998	Foggia	D24/169
D399,566 S *	10/1998	Sohrab et al.	D24/169
D411,300 S *	6/1999	Kellstedt, Jr. et al.	D24/186
D424,956 S *	5/2000	von Buelow et al.	D10/81
D459,812 S *	7/2002	Ijiri	D24/169
D489,816 S *	5/2004	Ross	D24/186
D496,732 S *	9/2004	Nagai et al.	D24/169
D560,529 S *	1/2008	Kaushal et al.	D10/81
D564,379 S *	3/2008	Kaushal et al.	D10/81
D597,216 S *	7/2009	McGuigan et al.	D24/216

* cited by examiner

Primary Examiner—T. Chase Nelson

Assistant Examiner—Anhdao Doan

(74) *Attorney, Agent, or Firm*—Steptoe & Johnson LLP

(57) **CLAIM**

The ornamental design for a device for counting particles in blood, as shown and described.

DESCRIPTION

FIG. 1 is a perspective view, showing the top, front, and side of a device for counting particles in blood in a lid-open configuration;

FIG. 2 is a perspective view, showing the top, rear, and side of the device of FIG. 1 in a lid-open configuration;

FIG. 3 is a top view of the device of FIGS. 1-2 in a lid-open configuration;

FIG. 4 is a front view of the device of FIGS. 1-3 in a lid-open configuration;

FIG. 5 is a rear view of the device of FIGS. 1-4 in a lid-open configuration;

FIG. 6 is a bottom view of the device of FIGS. 1-5 in a lid-open configuration;

FIG. 7 is a side view of the device of FIGS. 1-6 in a lid-open configuration;

FIG. 8 is a perspective view, showing the top, front, and side of the device of FIGS. 1-7 in a lid-closed configuration;

FIG. 9 is a perspective view, showing the top, rear, and side of the device of FIGS. 1-8 in a lid-closed configuration;

FIG. 10 is a top view of the device of FIGS. 1-9 in a lid-closed configuration;

FIG. 11 is a front view of the device of FIGS. 1-10 in a lid-closed configuration;

FIG. 12 is a rear view of the device of FIGS. 1-11 in a lid-closed configuration;

FIG. 13 is a bottom view of the device of FIGS. 1-12 in a lid-closed configuration;

FIG. 14 is a side view of the device of FIGS. 1-13 in a lid-closed configuration;

FIG. 15 is a perspective view, showing the top, front, and side of the device of FIGS. 1-14 in a lid-open configuration, with portions of the device being the color RAL 2002;

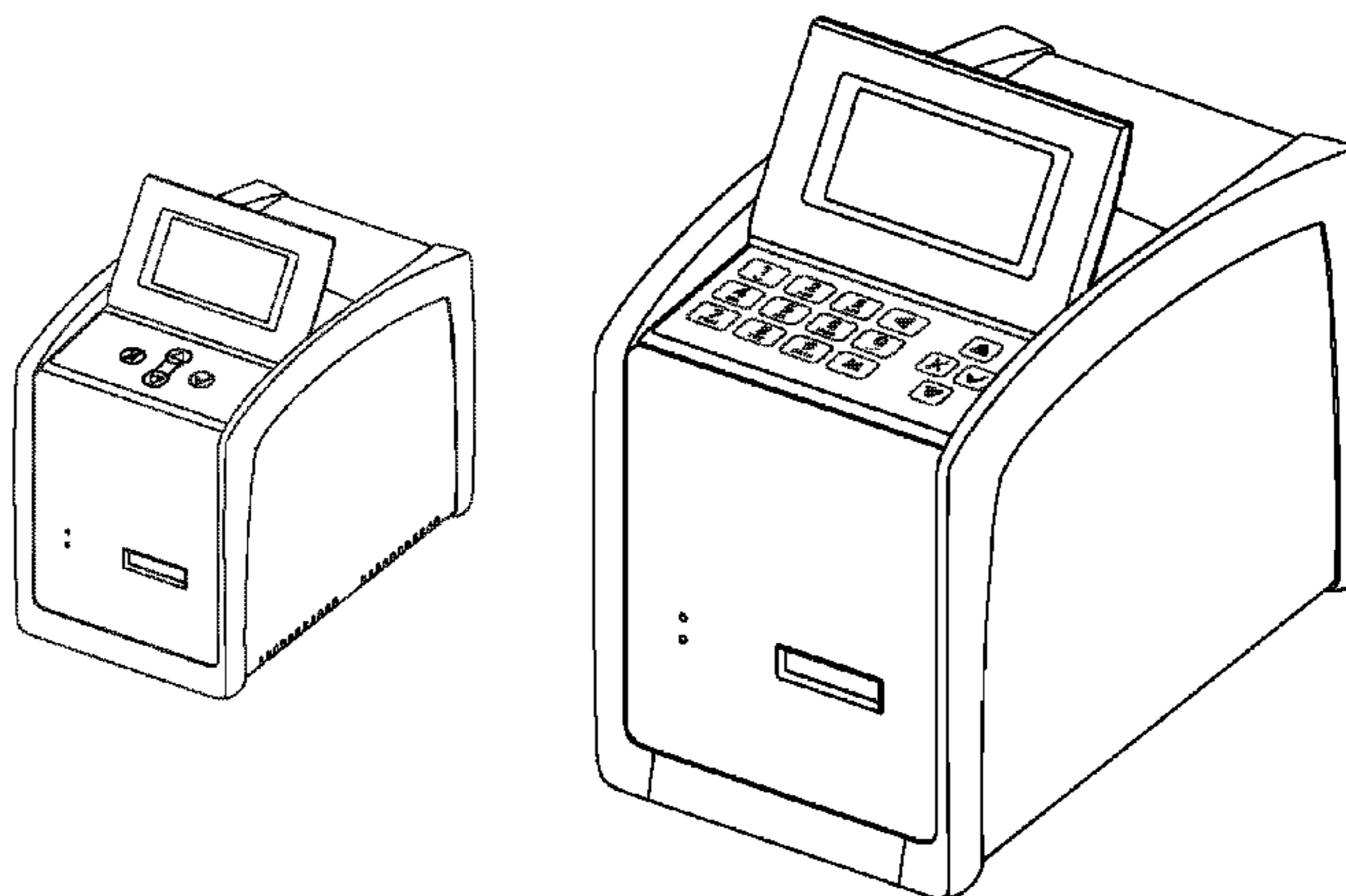


FIG. 16 is a perspective view, showing the top, rear, and side of the device of FIGS. 1-14 and 15 in a lid-open configuration, with portions of the device being the color RAL 2002;

FIG. 17 is a top view of the device of FIGS. 1-14 and device of FIGS. 15-16 in a lid-open configuration, with portions of the device being the color RAL 2002;

FIG. 18 is a front view of the device of FIGS. 1-14 and 15-17 in a lid-open configuration, with portions of the device being the color RAL 2002;

FIG. 19 is a rear view of the device of FIGS. 1-14 and 15-18 in a lid-open configuration, with portions of the device being the color RAL 2002;

FIG. 20 is a bottom view of the device of FIGS. 1-14 and 15-19 in a lid-open configuration, with portions of the device being the color RAL 2002;

FIG. 21 is a side view of the device of FIGS. 1-14 and 15-20 in a lid-open configuration, with portions of the device being the color RAL 2002;

FIG. 22 is a perspective view, showing the top, front, and side of the device of FIGS. 1-14 and FIGS. 15-21 in a lid-closed configuration, with portions of the device being the color RAL 2002;

FIG. 23 is a perspective view, showing the top, rear, and side of the device of FIGS. 1-14 and FIGS. 15-22 in a lid-closed configuration, with portions of the device being the color RAL 2002;

FIG. 24 is a top view of the device of FIGS. 1-14 and FIGS. 15-23 in a lid-closed configuration, with portions of the device being the color RAL 2002;

FIG. 25 is a front view of the device of FIGS. 1-14 and FIGS. 15-24 in a lid-closed configuration, with portions of the device being the color RAL 2002;

FIG. 26 is a rear view of the device of FIGS. 1-14 and FIGS. 15-25 in a lid-closed configuration, with portions of the device being the color RAL 2002;

FIG. 27 is a bottom view of the device of FIGS. 1-14 and FIGS. 15-26 in a lid-closed configuration, with portions of the device being the color RAL 2002;

FIG. 28 is a side view of the device of FIGS. 1-14 and FIGS. 15-27 in a lid-closed configuration, with portions of the device being the color RAL 2002;

FIG. 29 is a perspective view, showing the top, front, and side of a device for counting particles in blood in a lid-open configuration;

FIG. 30 is a perspective view, showing the top, rear, and side of the device of FIG. 29 in a lid-open configuration;

FIG. 31 is a top view of the device of FIGS. 29-30 in a lid-open configuration;

FIG. 32 is a front view of the device of FIGS. 29-31 in a lid-open configuration;

FIG. 33 is a rear view of the device of FIGS. 29-32 in a lid-open configuration;

FIG. 34 is a bottom view of the device of FIGS. 29-33 in a lid-open configuration;

FIG. 35 is a side view of the device of FIGS. 29-34 in a lid-open configuration;

FIG. 36 is a perspective view, showing the top, front, and side of the device of FIGS. 29-35 in a lid-closed configuration;

FIG. 37 is a perspective view, showing the top, rear, and side of the device of FIGS. 29-36 in a lid-closed configuration;

FIG. 38 is a top view of the device of FIGS. 29-37 in a lid-closed configuration;

FIG. 39 is a front view of the device of FIGS. 29-38 in a lid-closed configuration;

FIG. 40 is a rear view of the device of FIGS. 29-39 in a lid-closed configuration;

FIG. 41 is a bottom view of the device of FIGS. 29-40 in a lid-closed configuration;

FIG. 42 is a side view of the device of FIGS. 29-41 in a lid-closed configuration;

FIG. 43 is a perspective view, showing the top, front, and side of the device of FIGS. 29-42 in a lid-open configuration, with portions of the device being the color RAL 2002;

FIG. 44 is a perspective view, showing the top, rear, and side of the device of FIGS. 29-43 in a lid-open configuration, with portions of the device being the color RAL 2002;

FIG. 45 is a top view of the device of FIGS. 29-44 in a lid-open configuration, with portions of the device being the color RAL 2002;

FIG. 46 is a front view of the device of FIGS. 29-45 in a lid-open configuration, with portions of the device being the color RAL 2002;

FIG. 47 is a rear view of the device of FIGS. 29-46 in a lid-open configuration, with portions of the device being the color RAL 2002;

FIG. 48 is a bottom view of the device of FIGS. 29-47 in a lid-open configuration, with portions of the device being the color RAL 2002;

FIG. 49 is a side view of the device of FIGS. 29-48 in a lid-open configuration, with portions of the device being the color RAL 2002;

FIG. 50 is a perspective view, showing the top, front, and side of the device of FIGS. 29-49 in a lid-closed configuration, with portions of the device being the color RAL 2002;

FIG. 51 is a perspective view, showing the top, rear, and side of the device of FIGS. 29-50 in a lid-closed configuration, with portions of the device being the color RAL 2002;

FIG. 52 is a top view of the device of FIGS. 29-51 in a lid-closed configuration, with portions of the device being the color RAL 2002;

FIG. 53 is a front view of the device of FIGS. 29-52 in a lid-closed configuration, with portions of the device being the color RAL 2002;

FIG. 54 is a rear view of the device of FIGS. 29-53 in a lid-closed configuration, with portions of the device being the color RAL 2002;

FIG. 55 is a bottom view of the device of FIGS. 29-54 in a lid-closed configuration, with portions of the device being the color RAL 2002; and,

FIG. 56 is a side view of the device of FIGS. 29-55 in a lid-closed configuration, with portions of the device being the color RAL 2002.

The stippling shown on the surfaces of the device in the drawing views represent contrasting color.

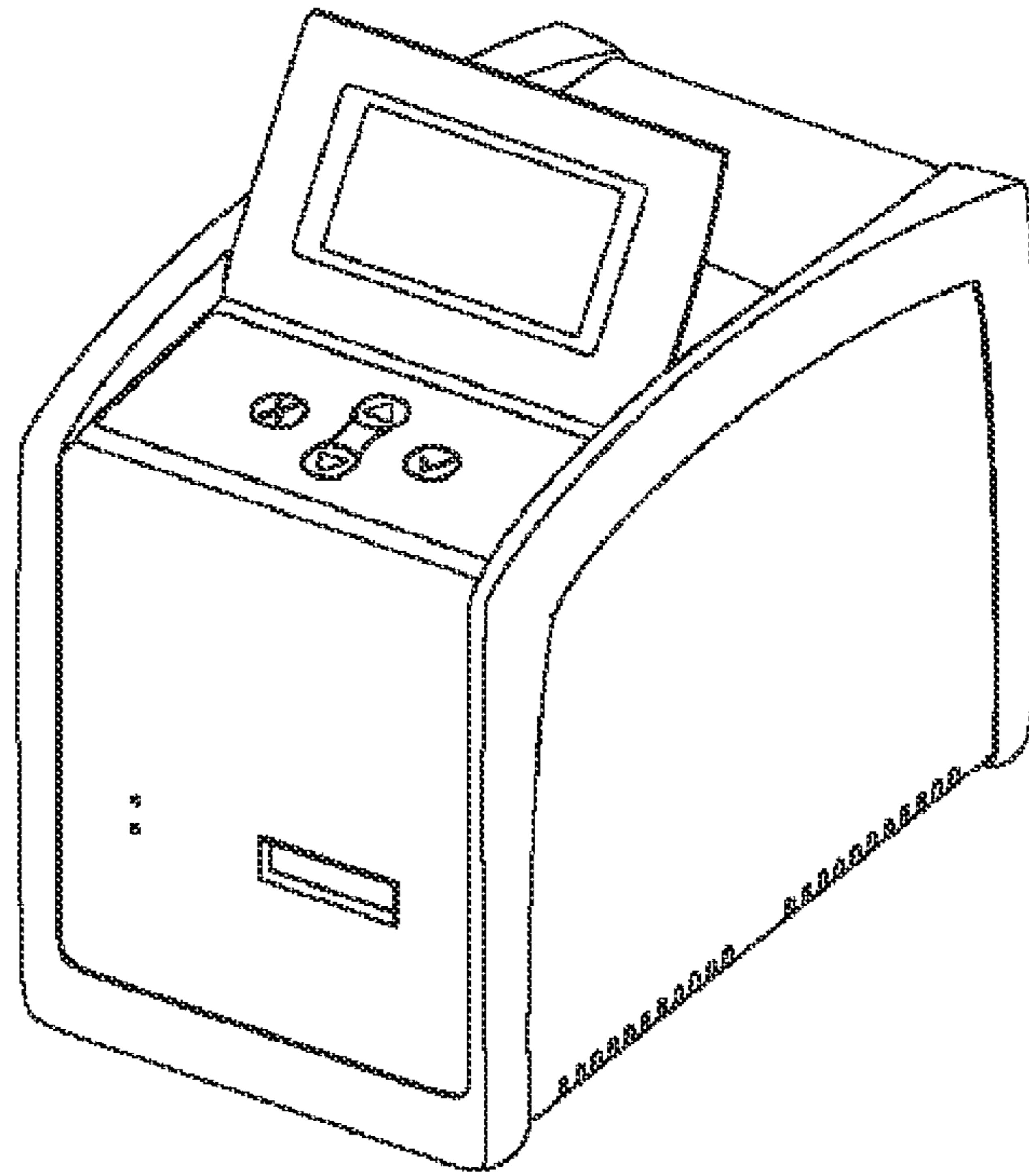


FIG. 1

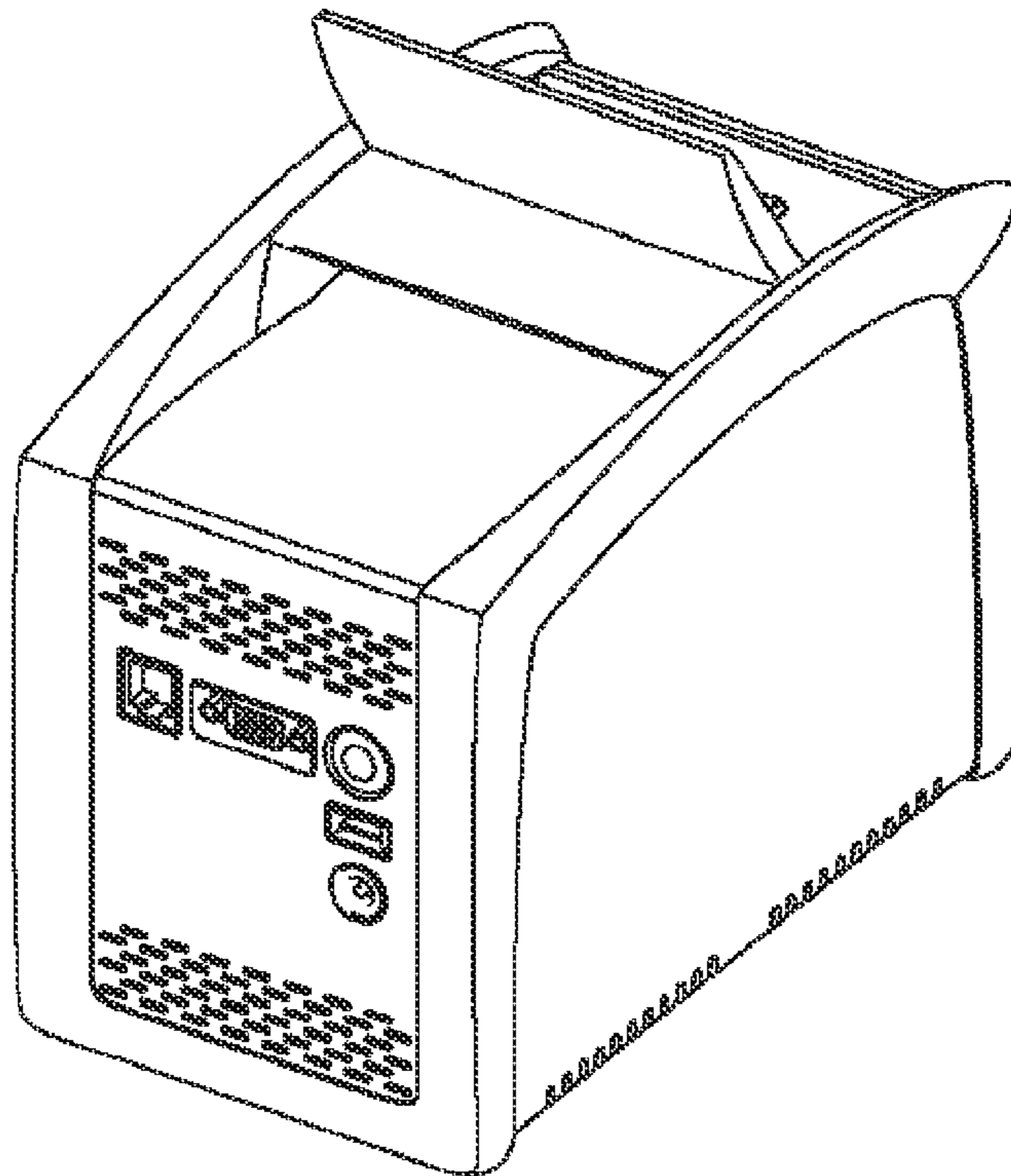


FIG. 2

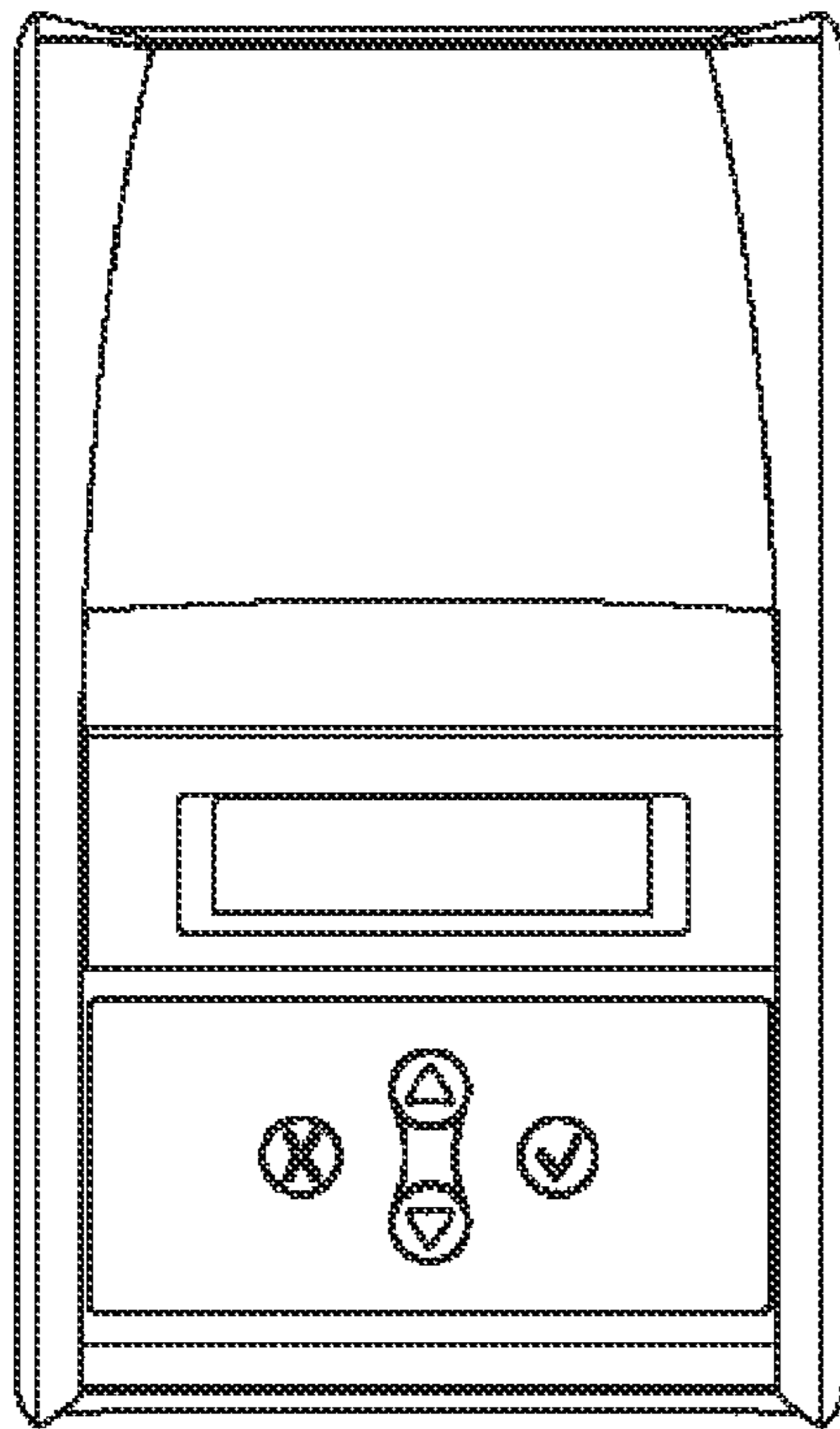


FIG. 3

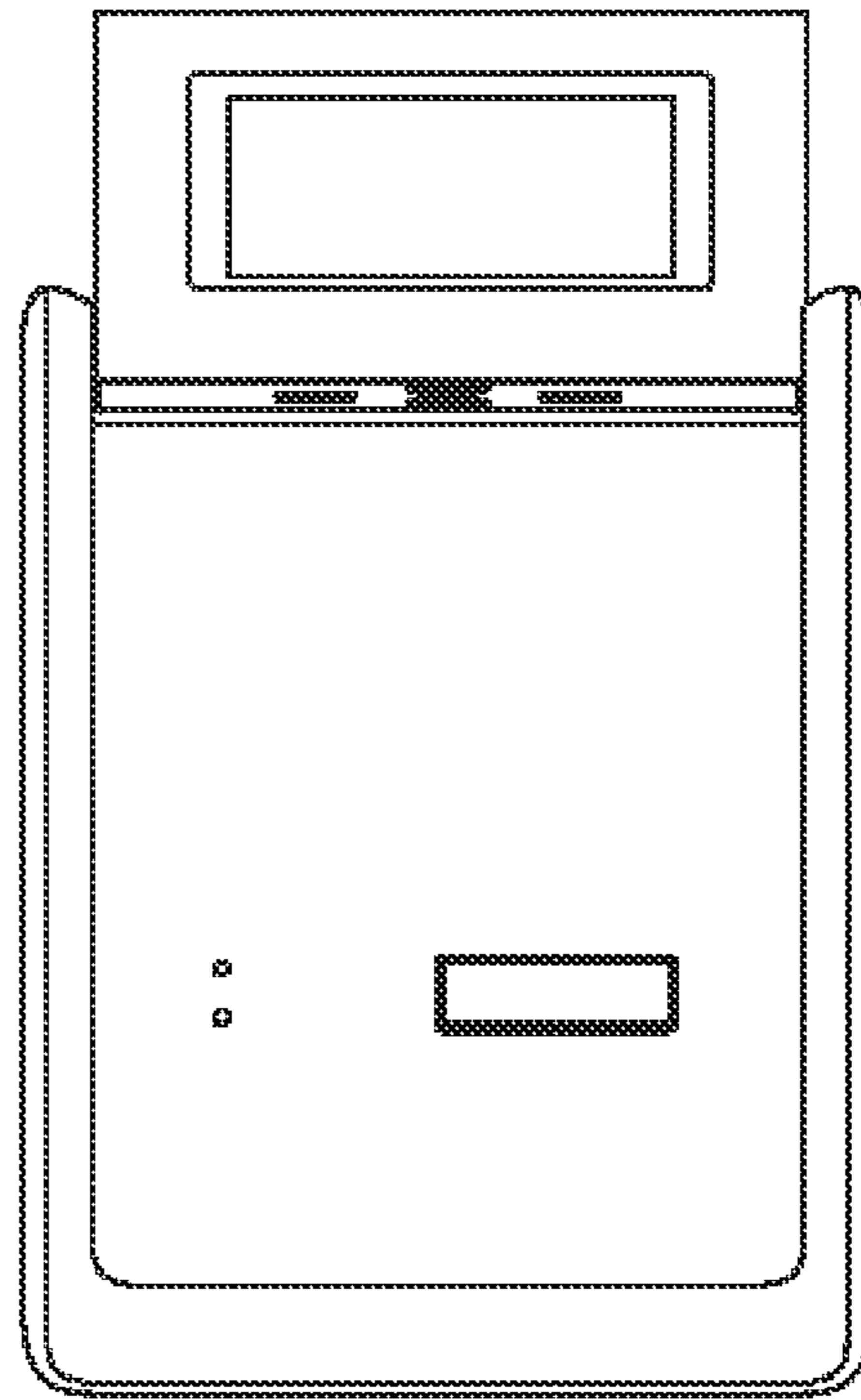


FIG. 4

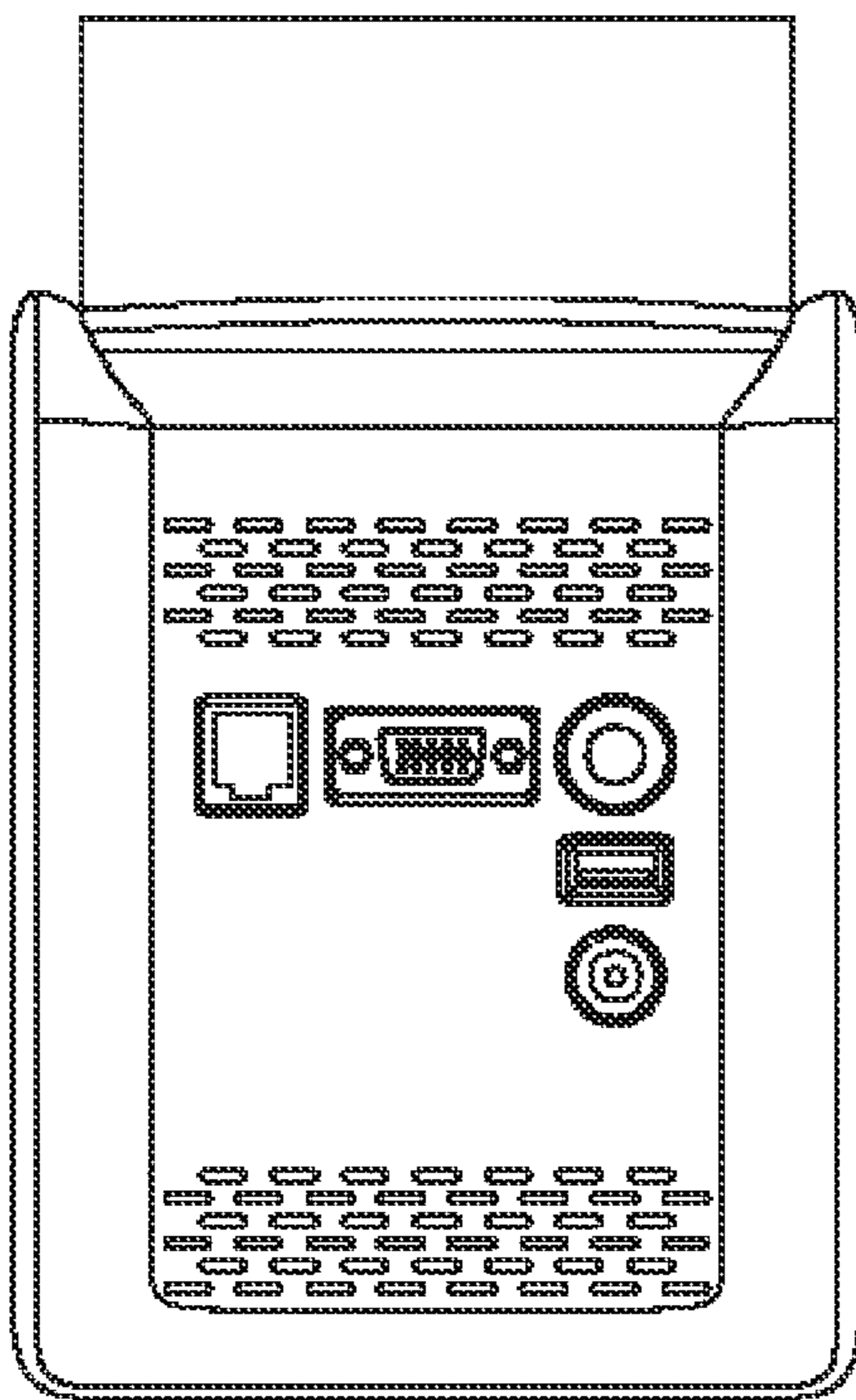


FIG. 5

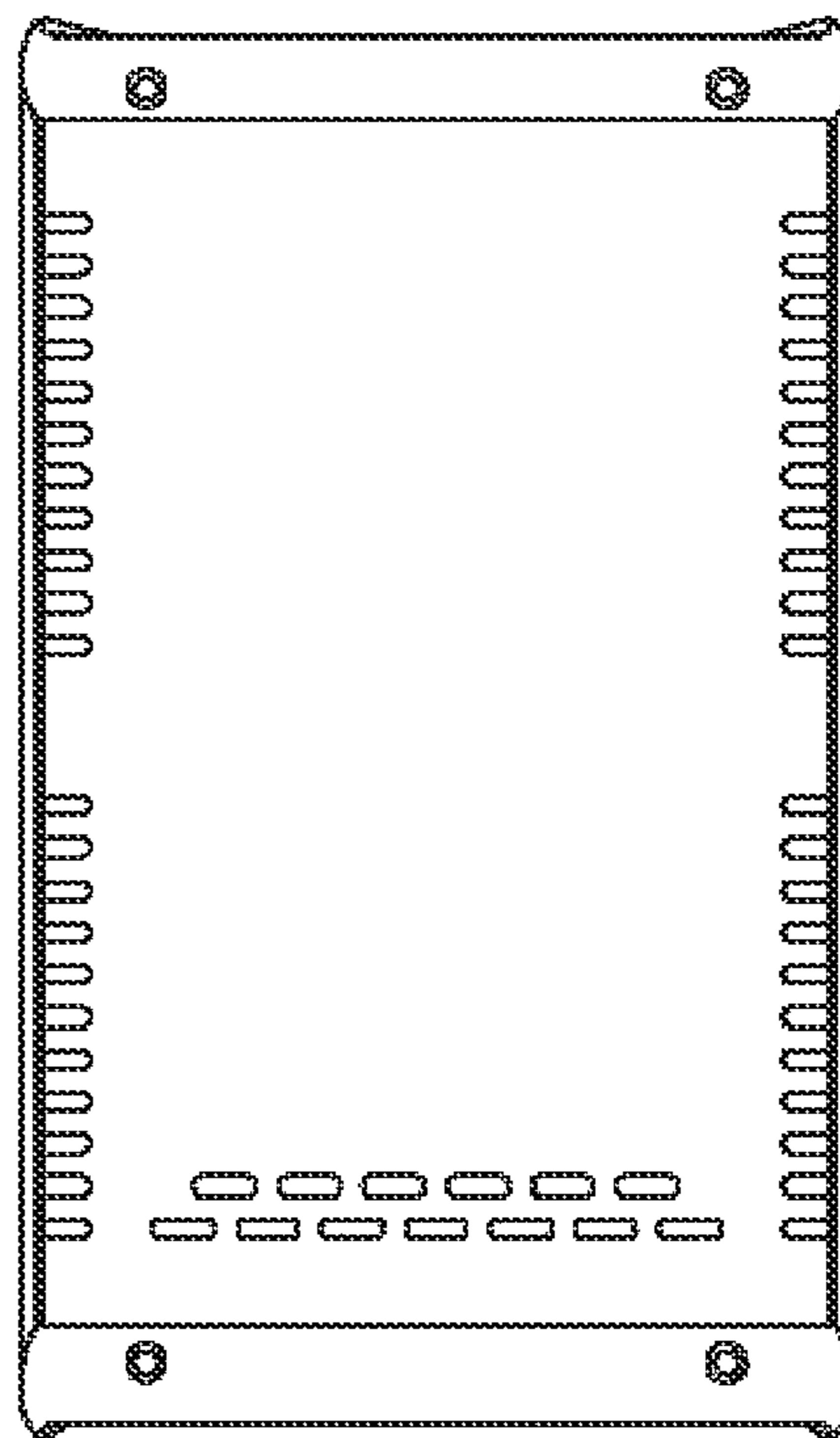


FIG. 6

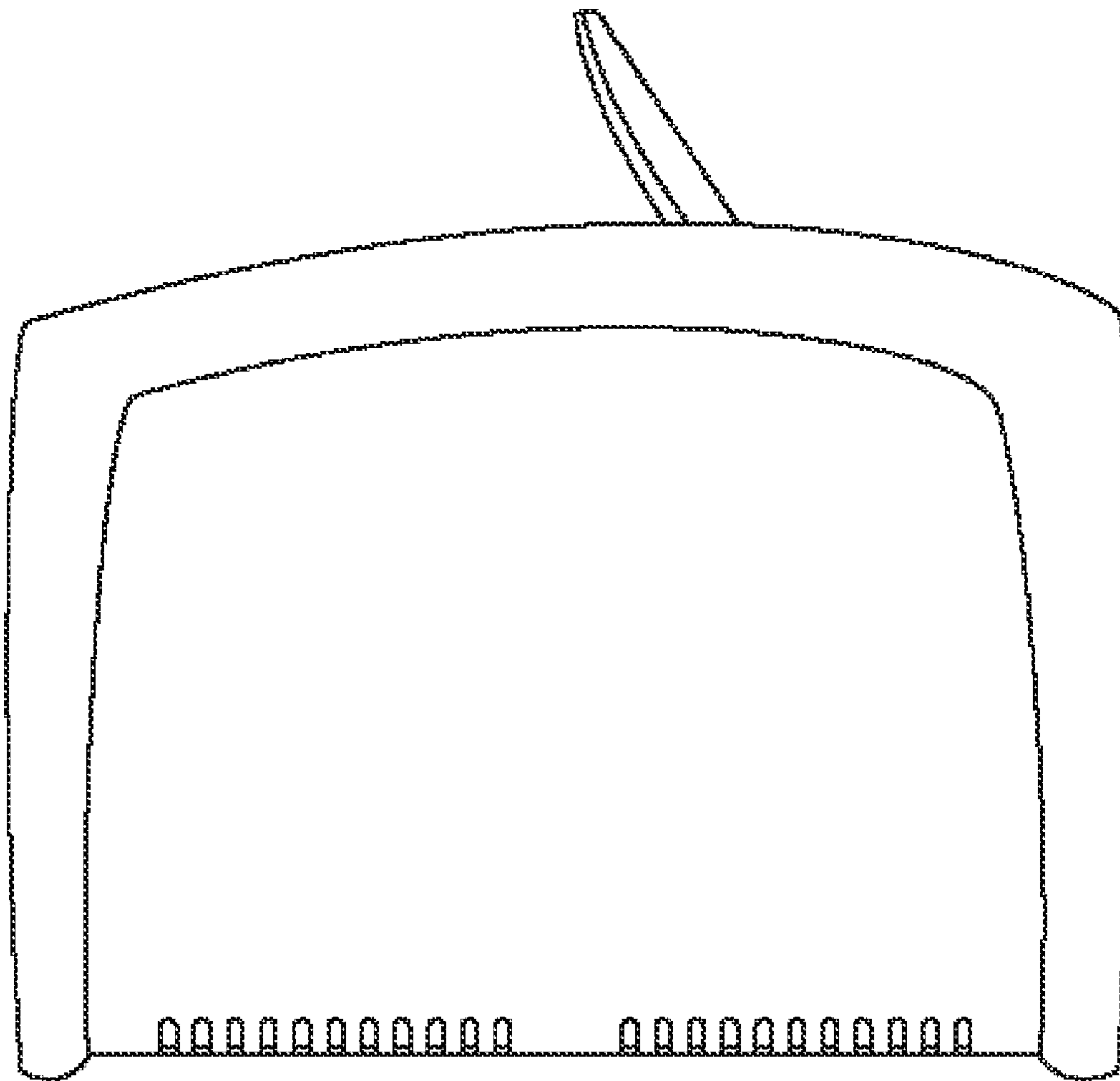


FIG. 7

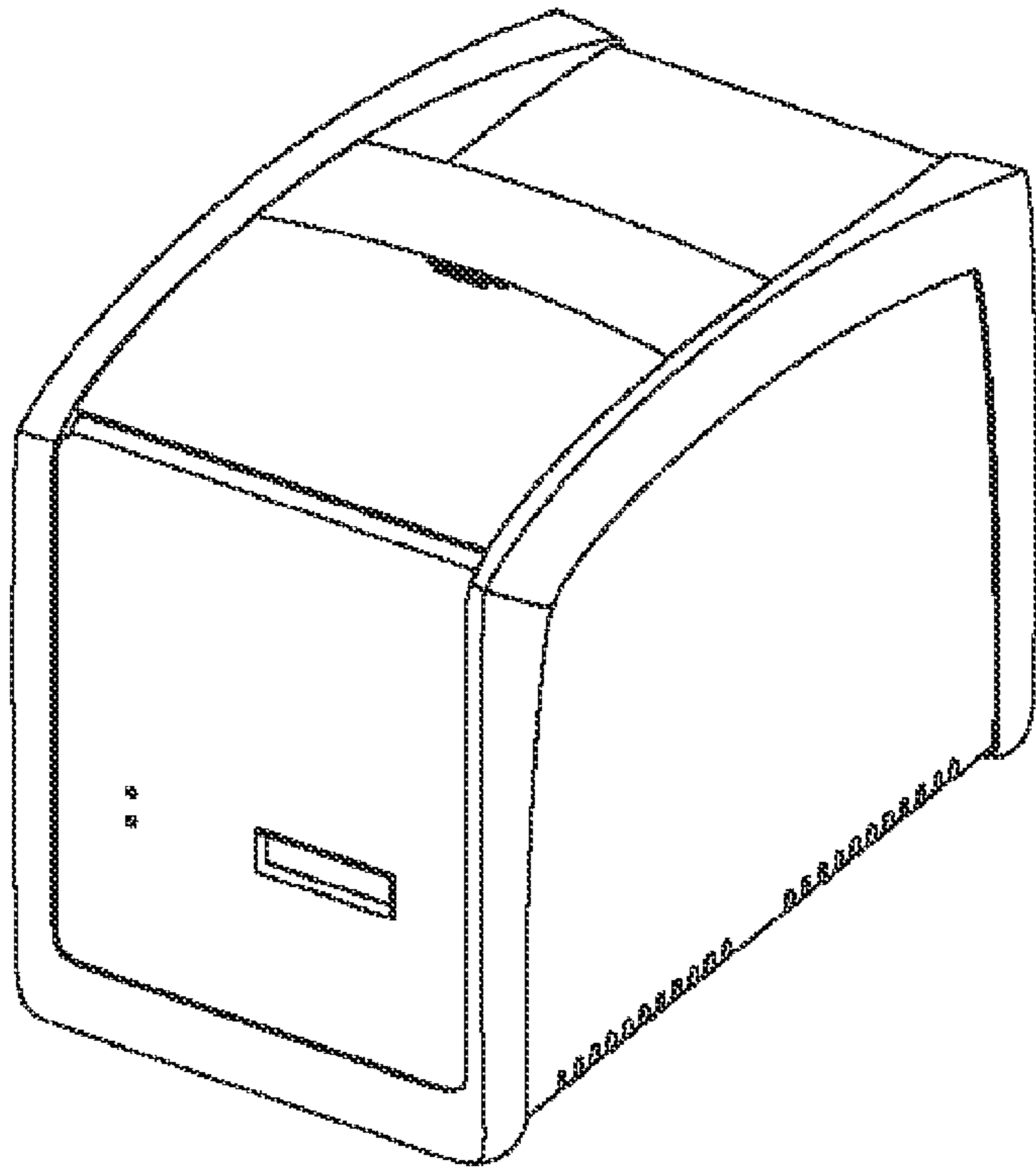


FIG. 8

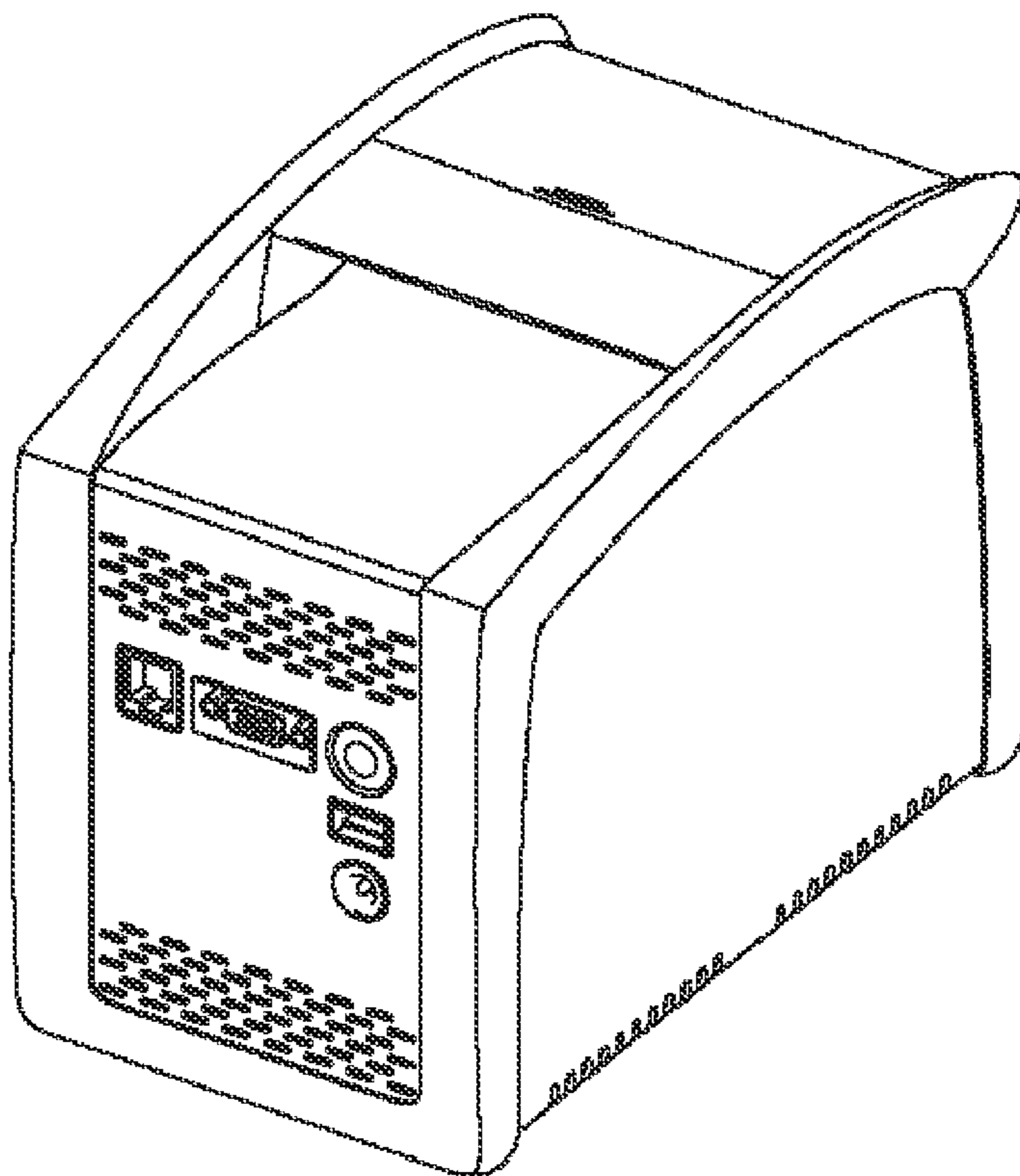


FIG. 9

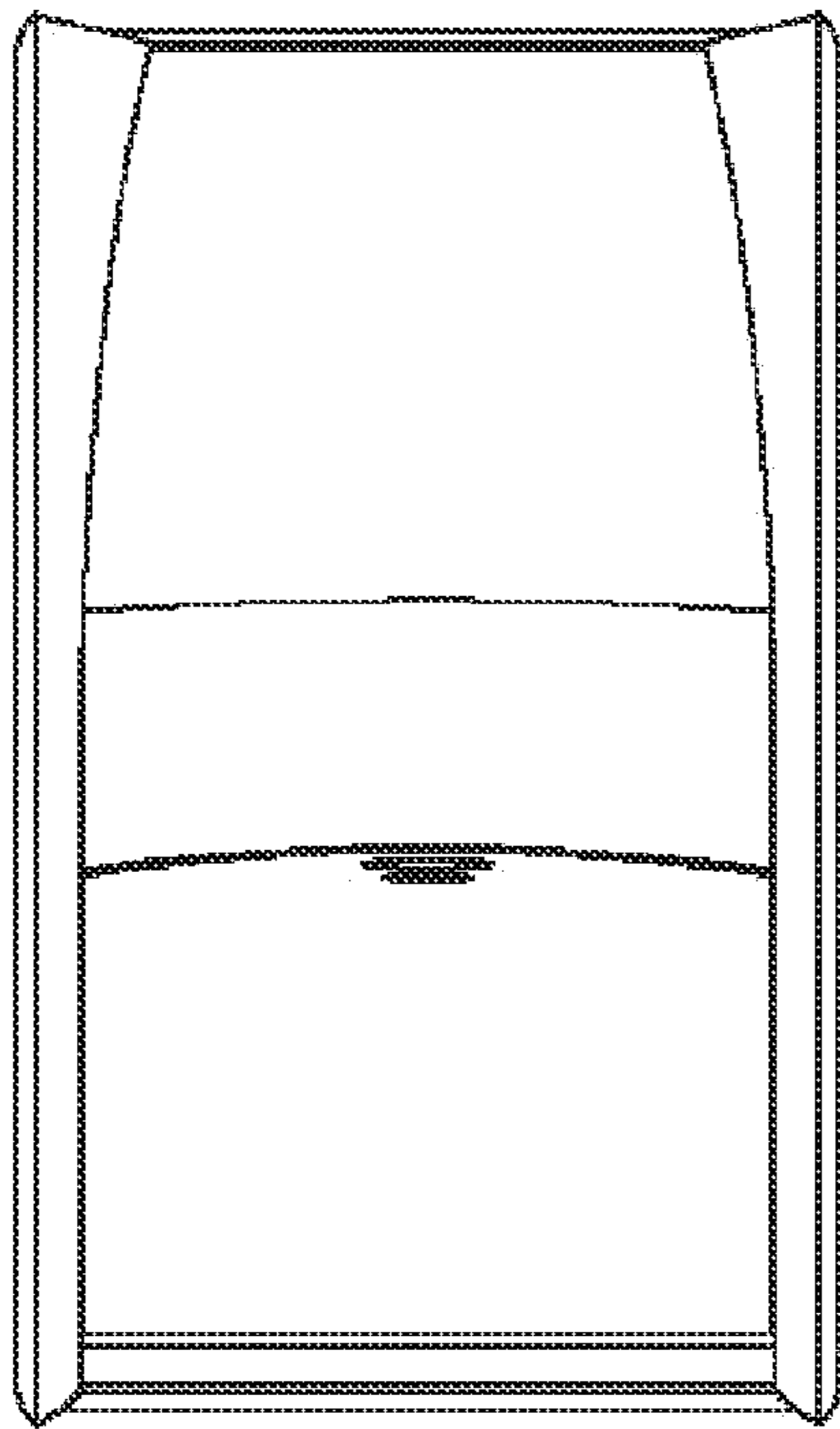


FIG. 10

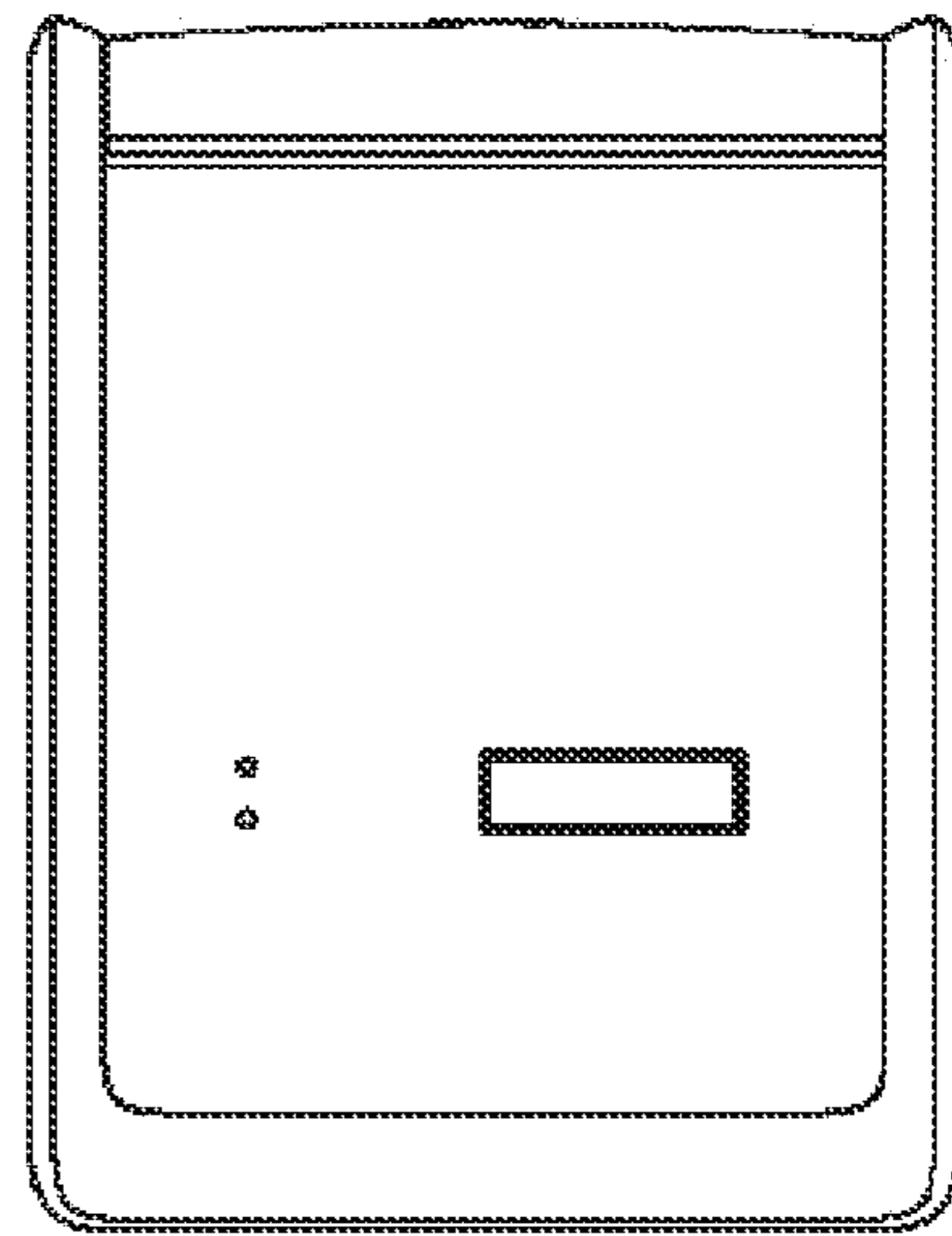


FIG. 11

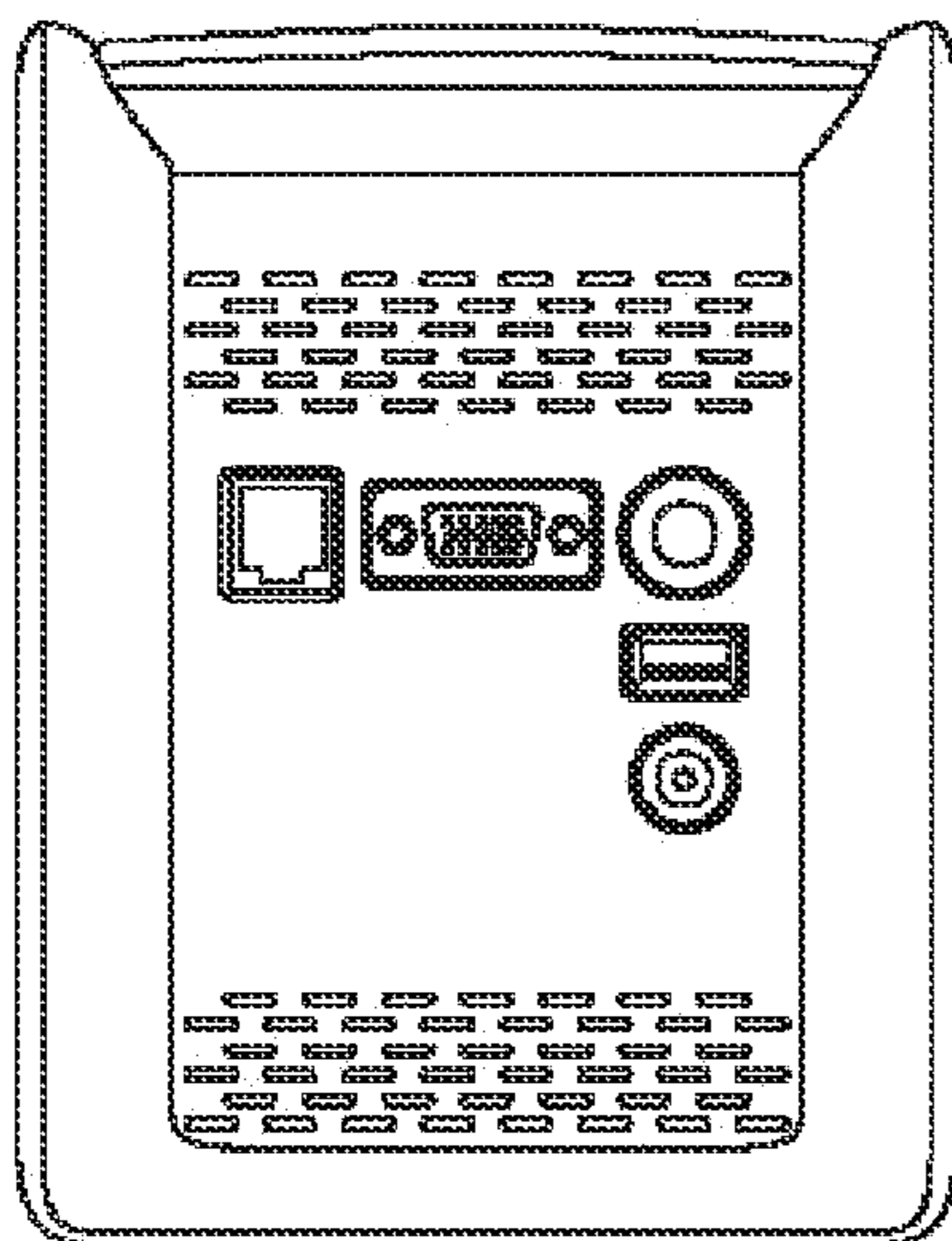


FIG. 12

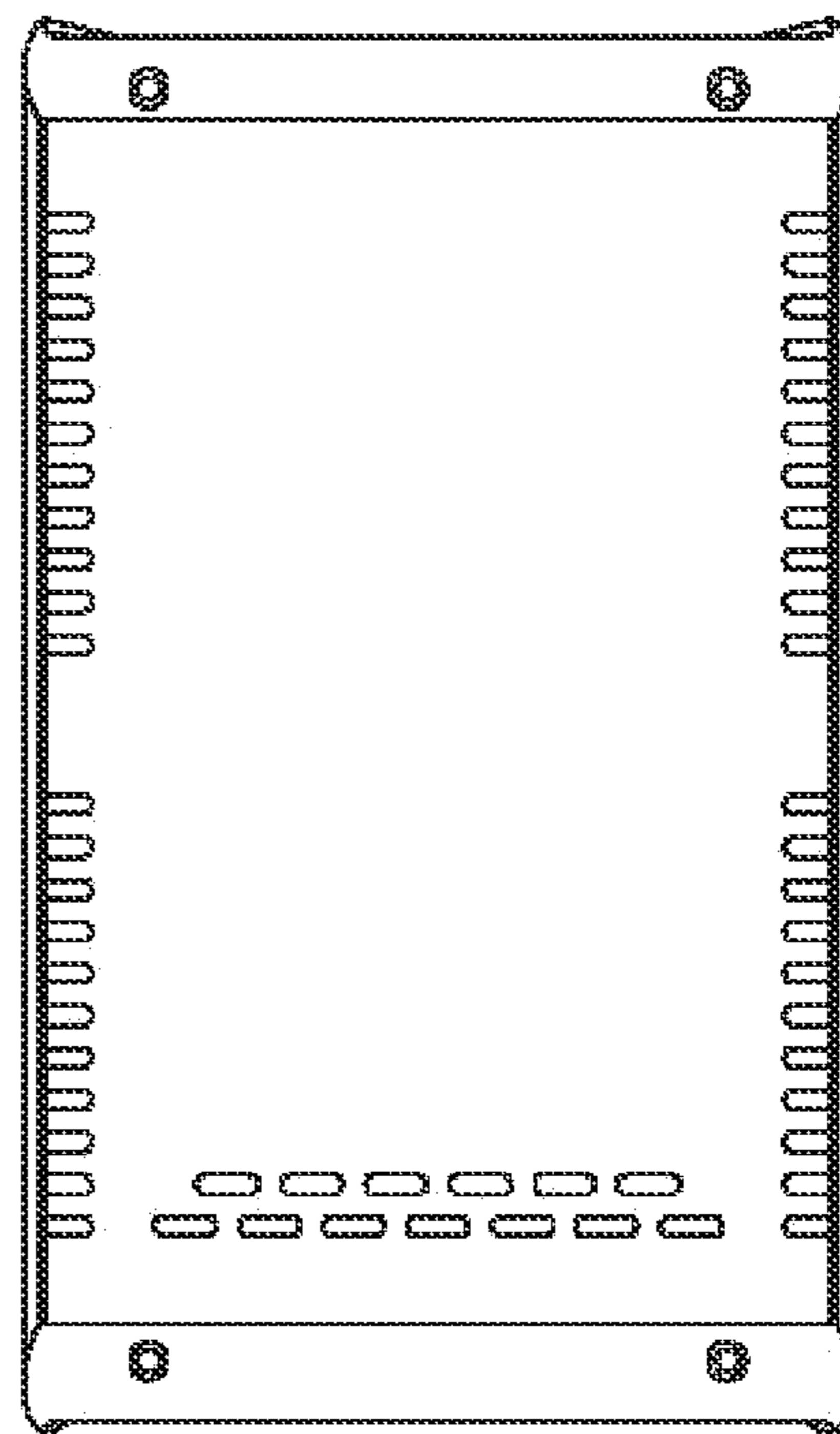


FIG. 13

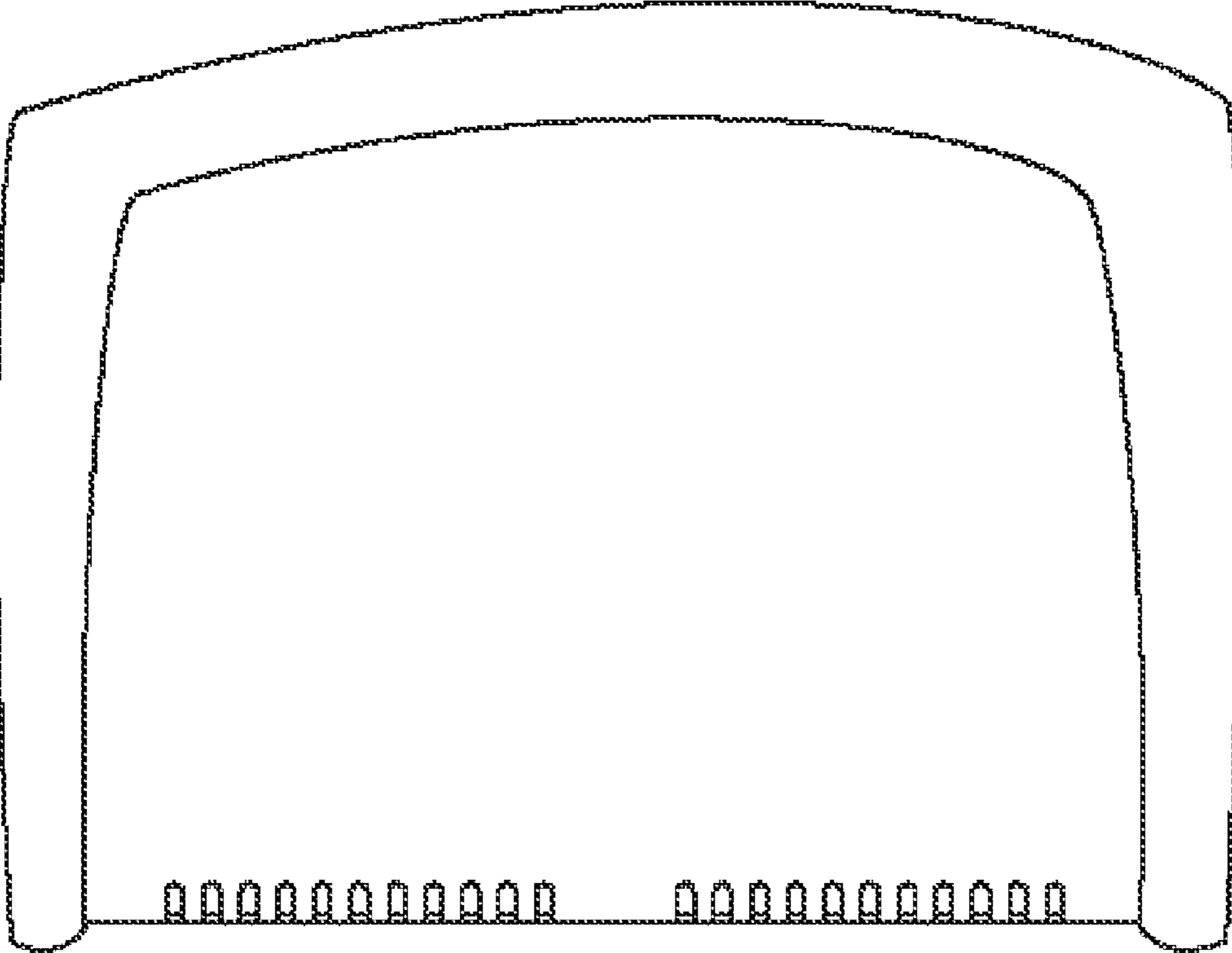


FIG. 14

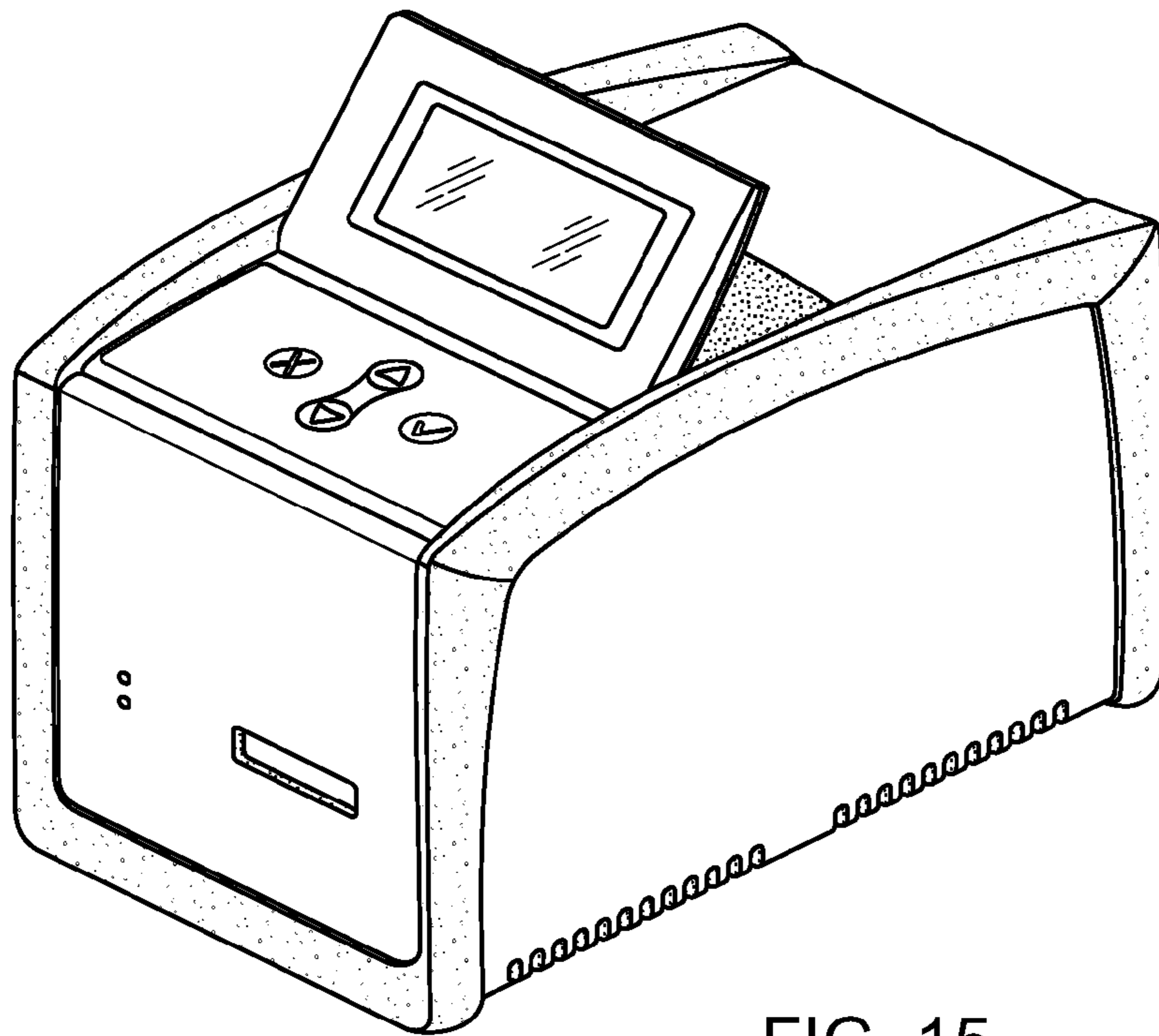


FIG. 15

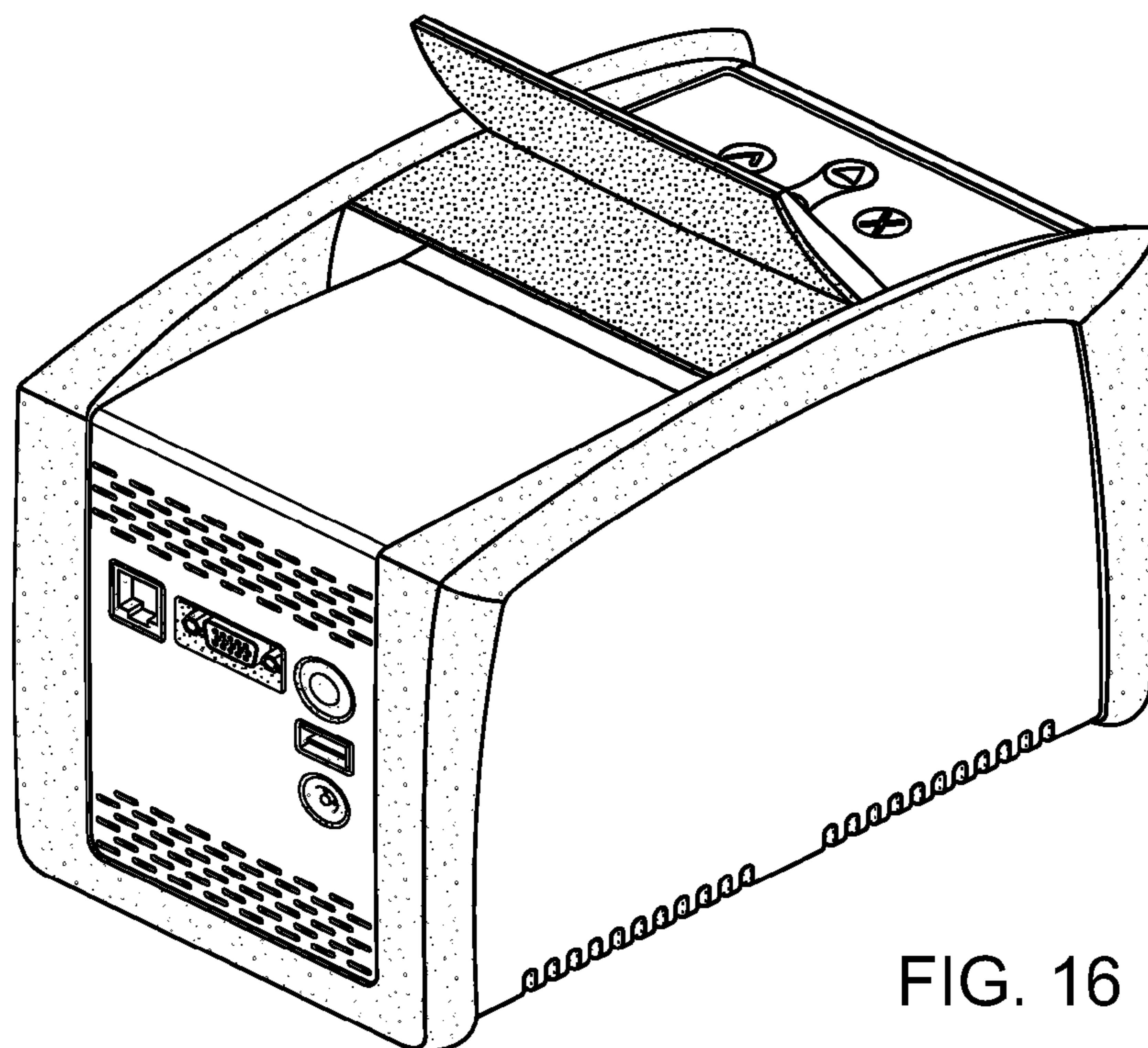


FIG. 16

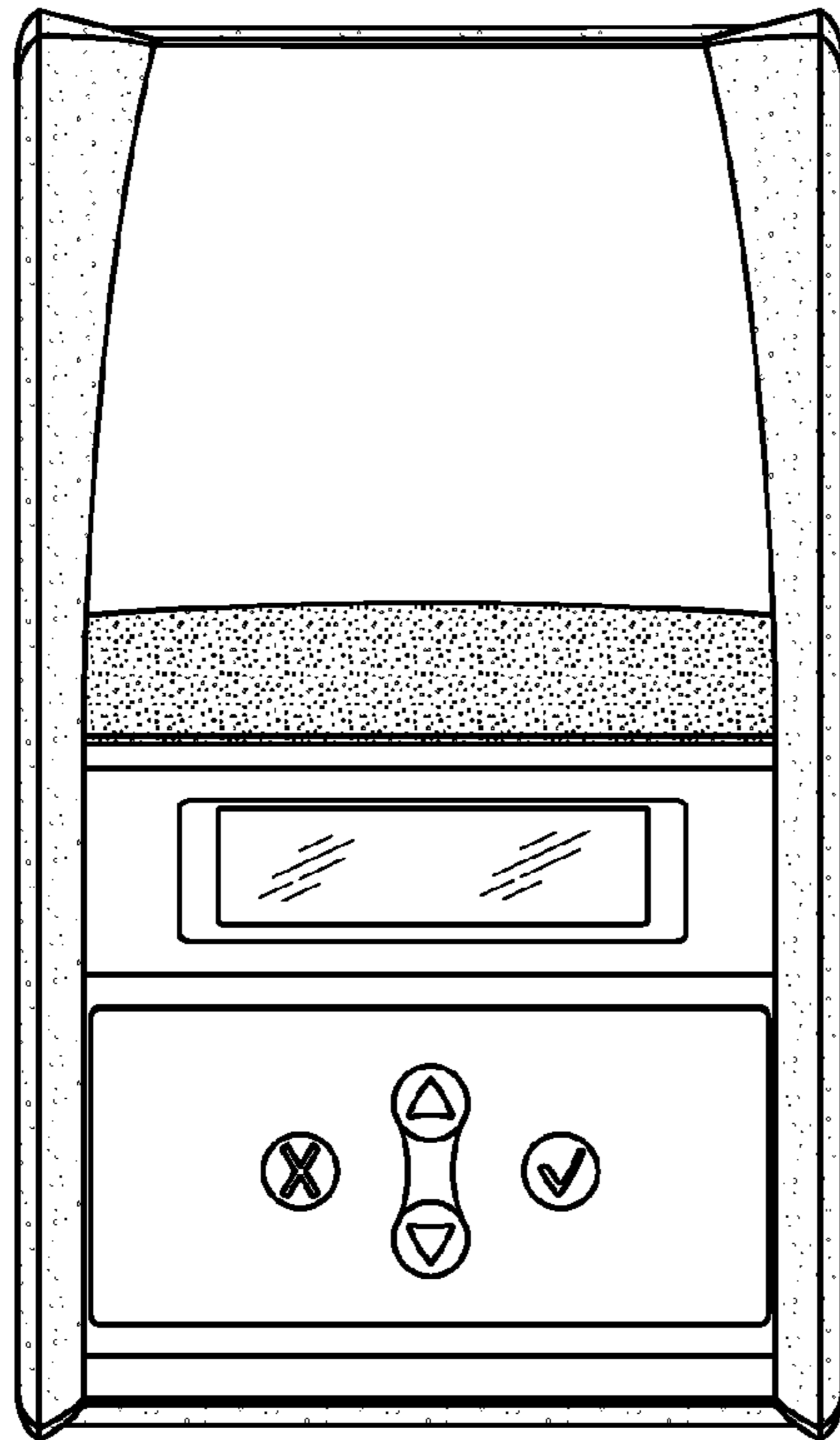


FIG. 17

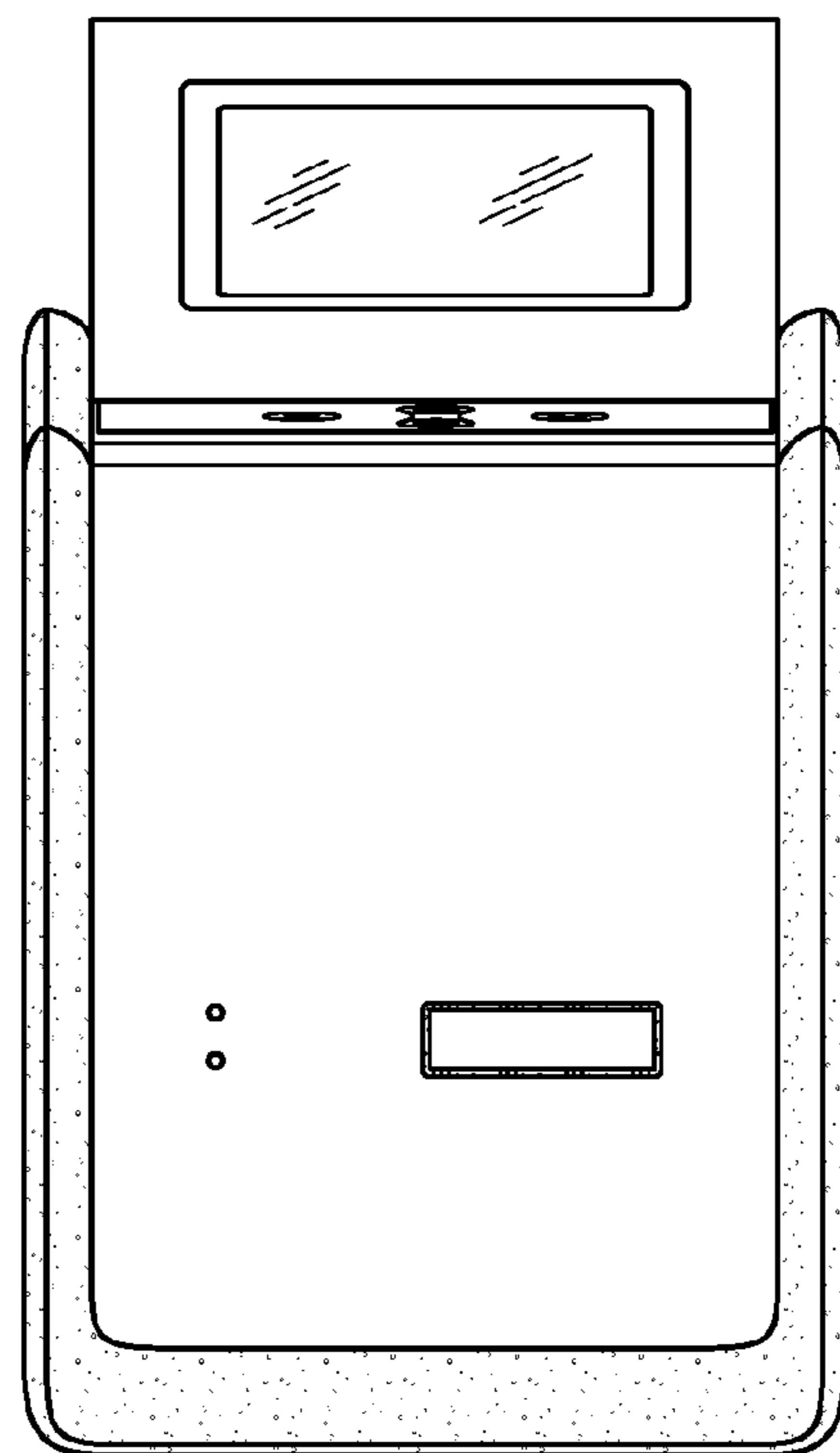


FIG. 18

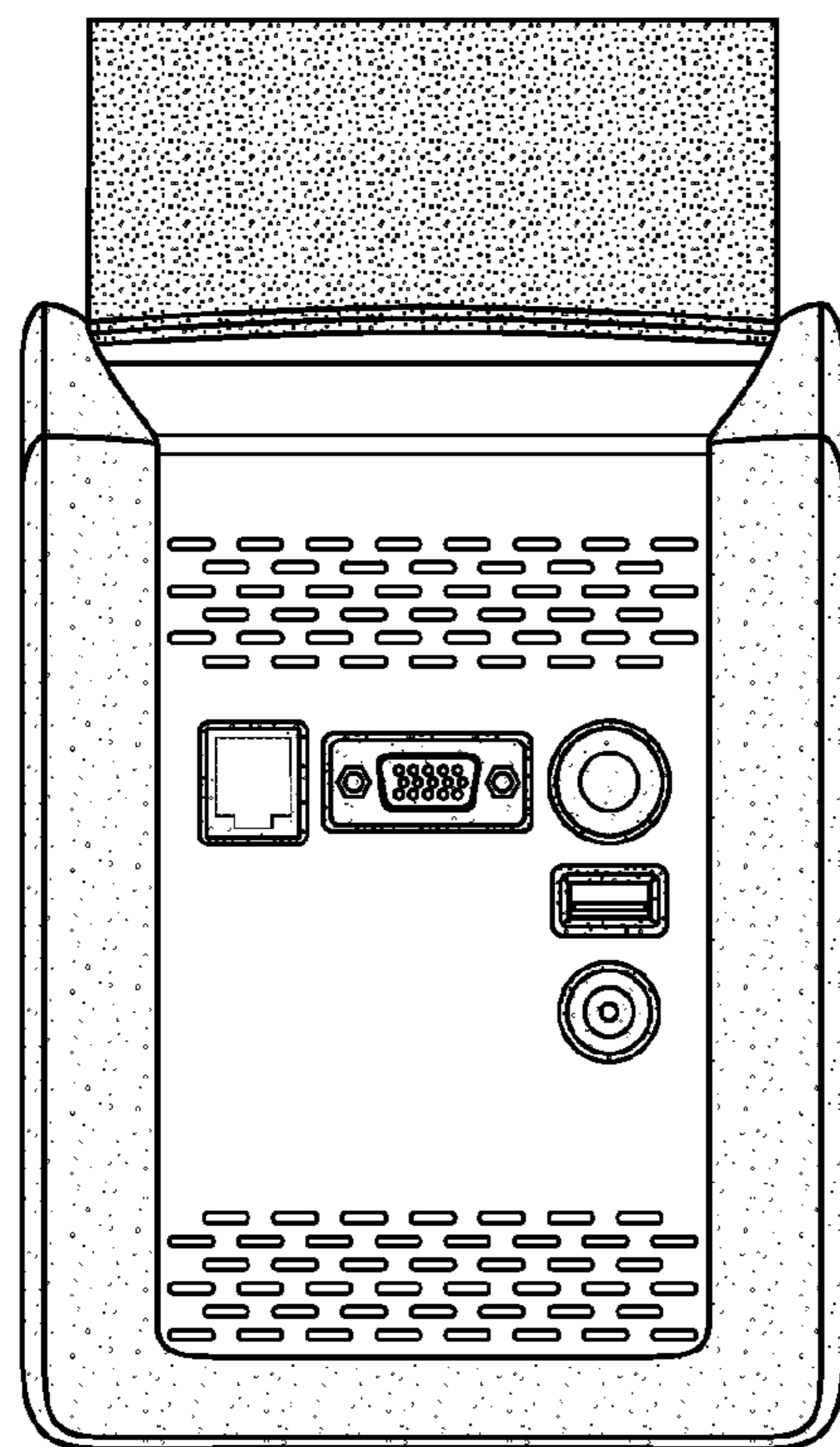


FIG. 19

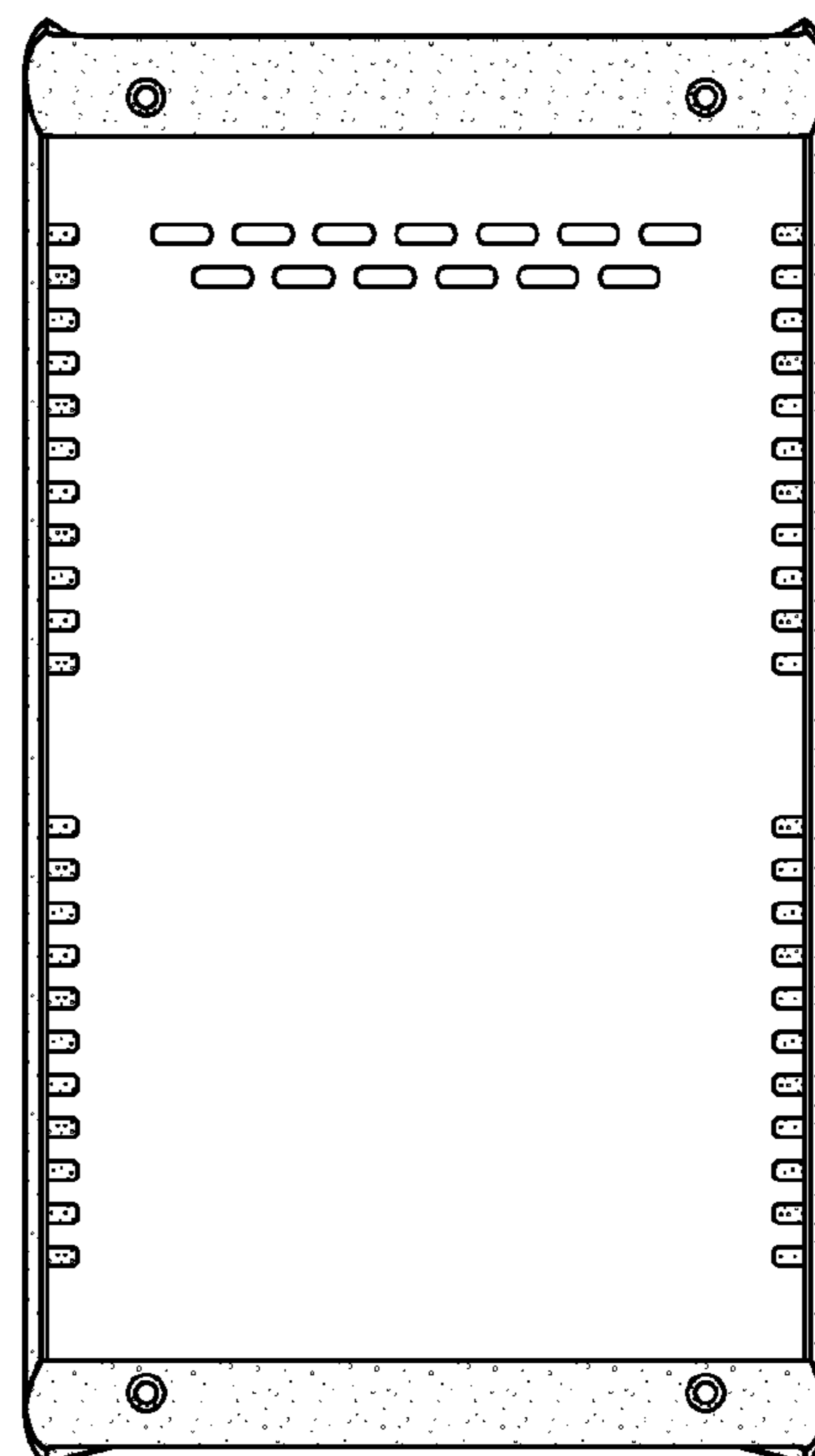


FIG. 20

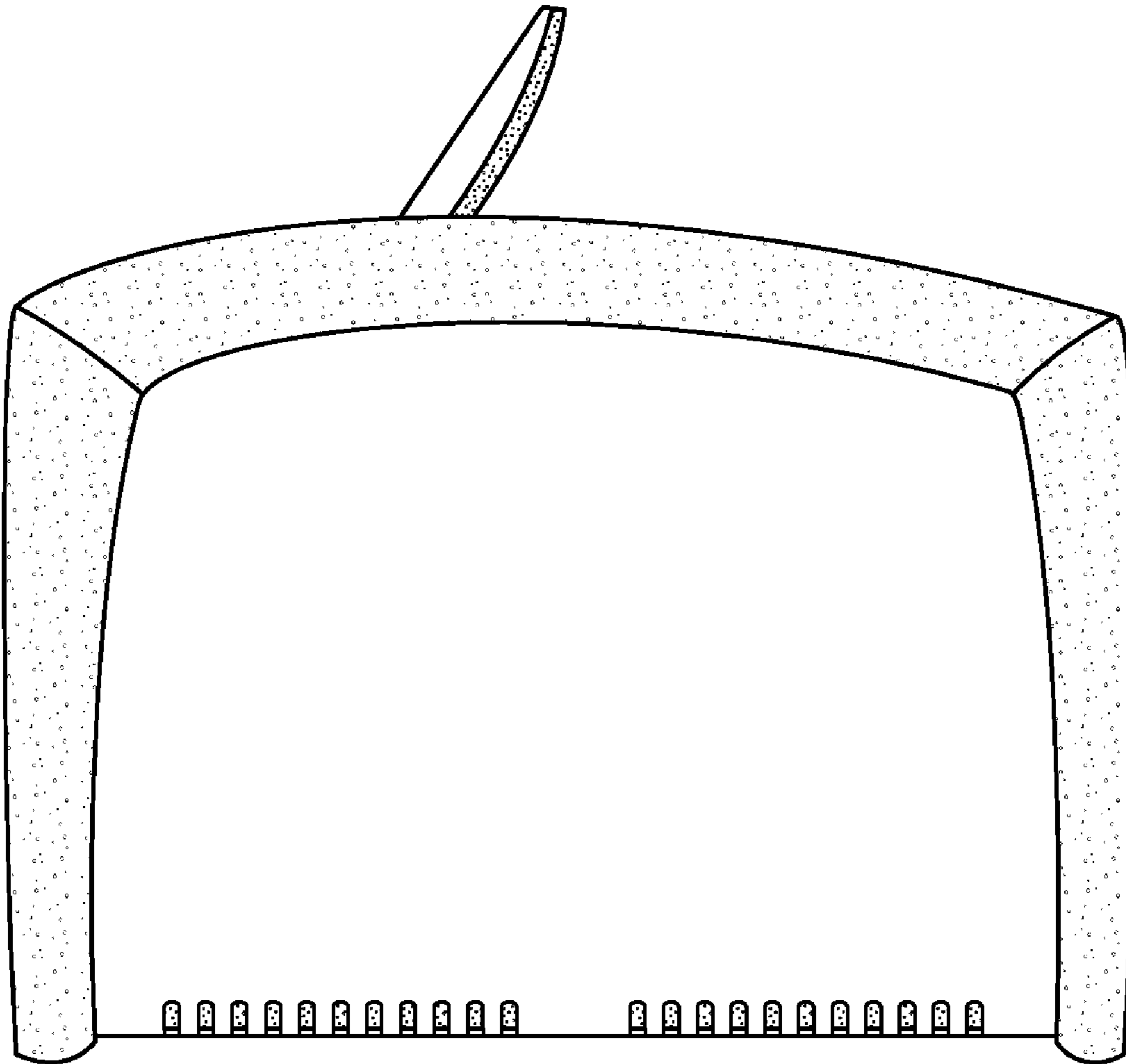


FIG. 21

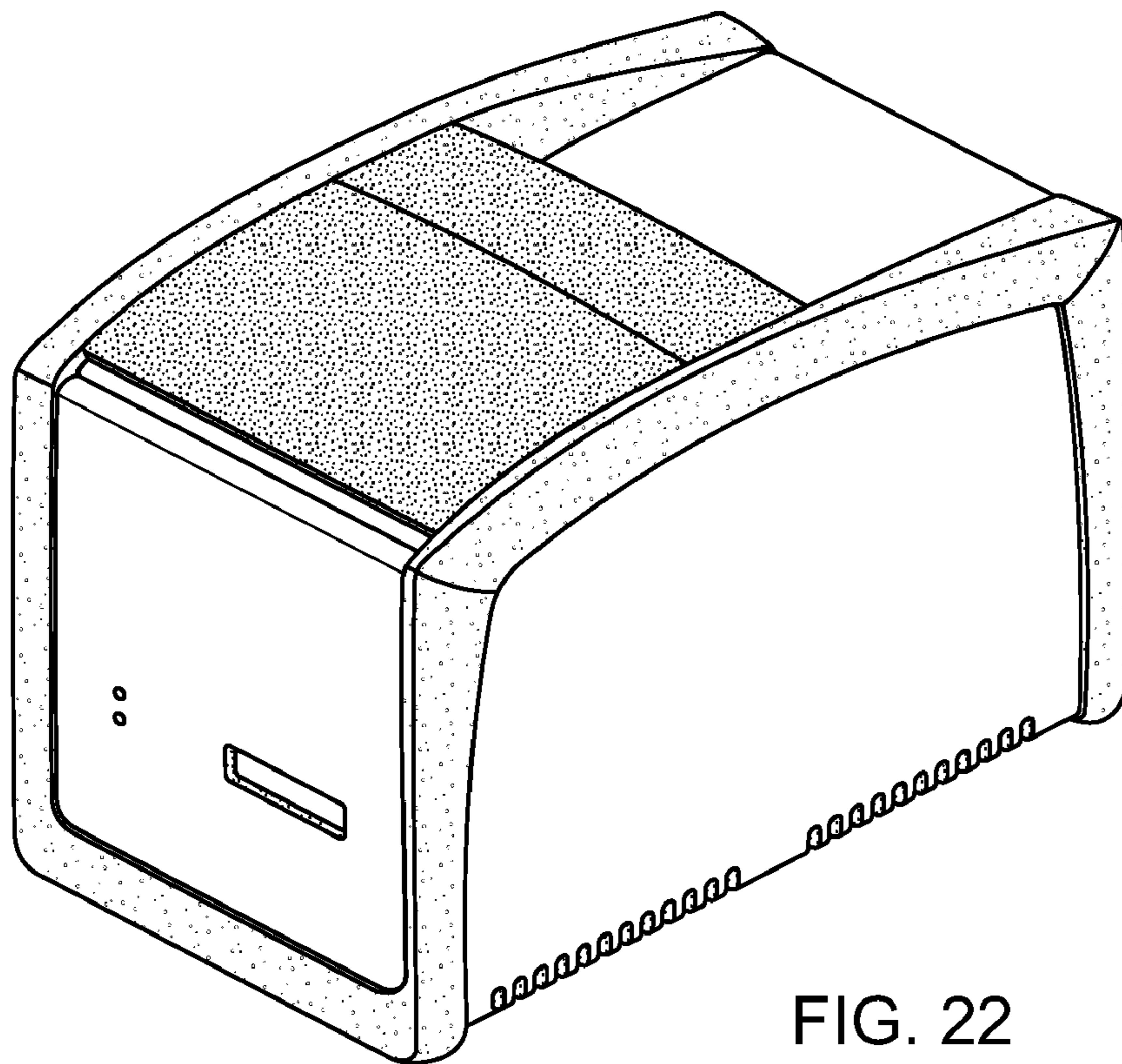


FIG. 22

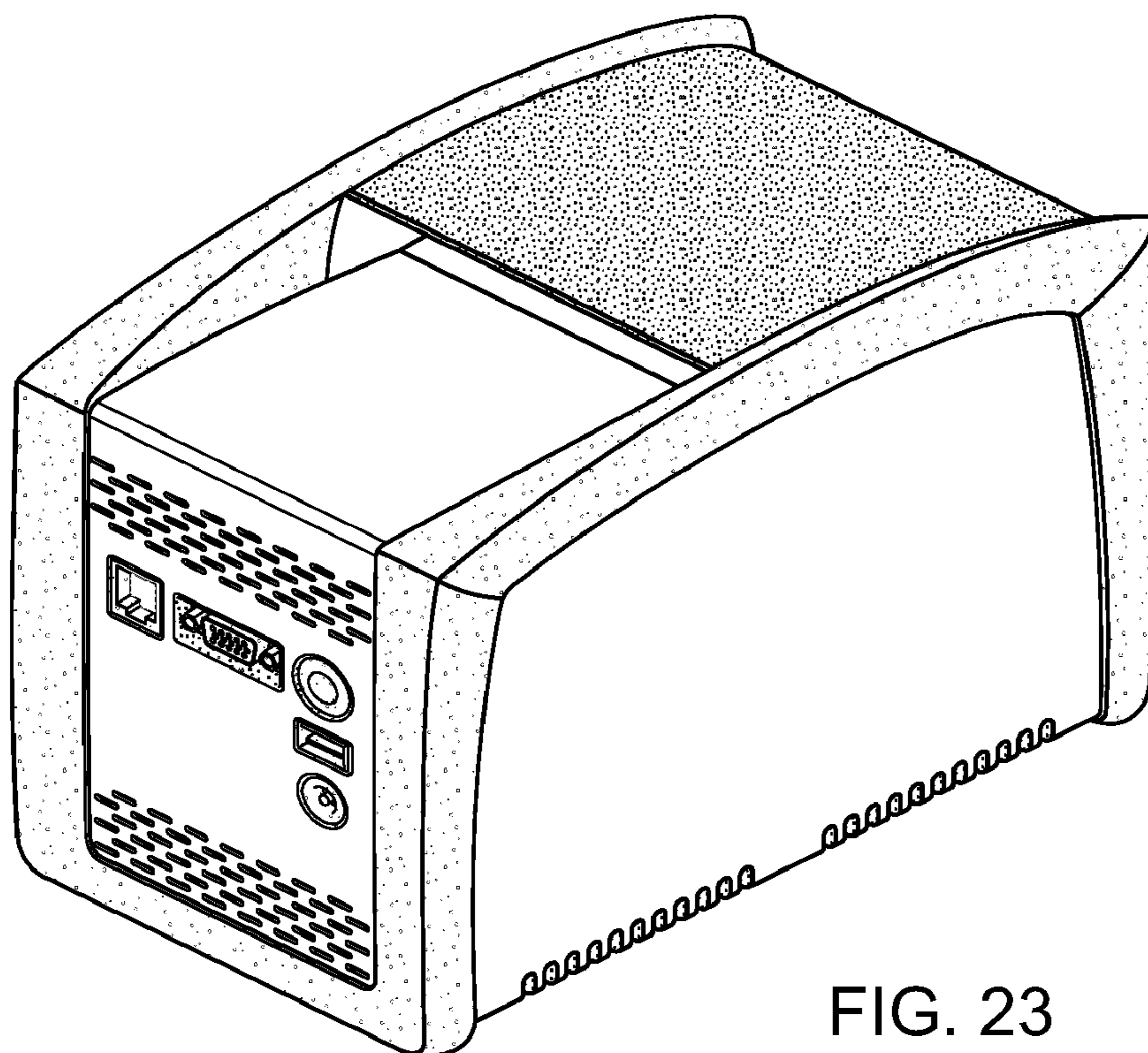


FIG. 23

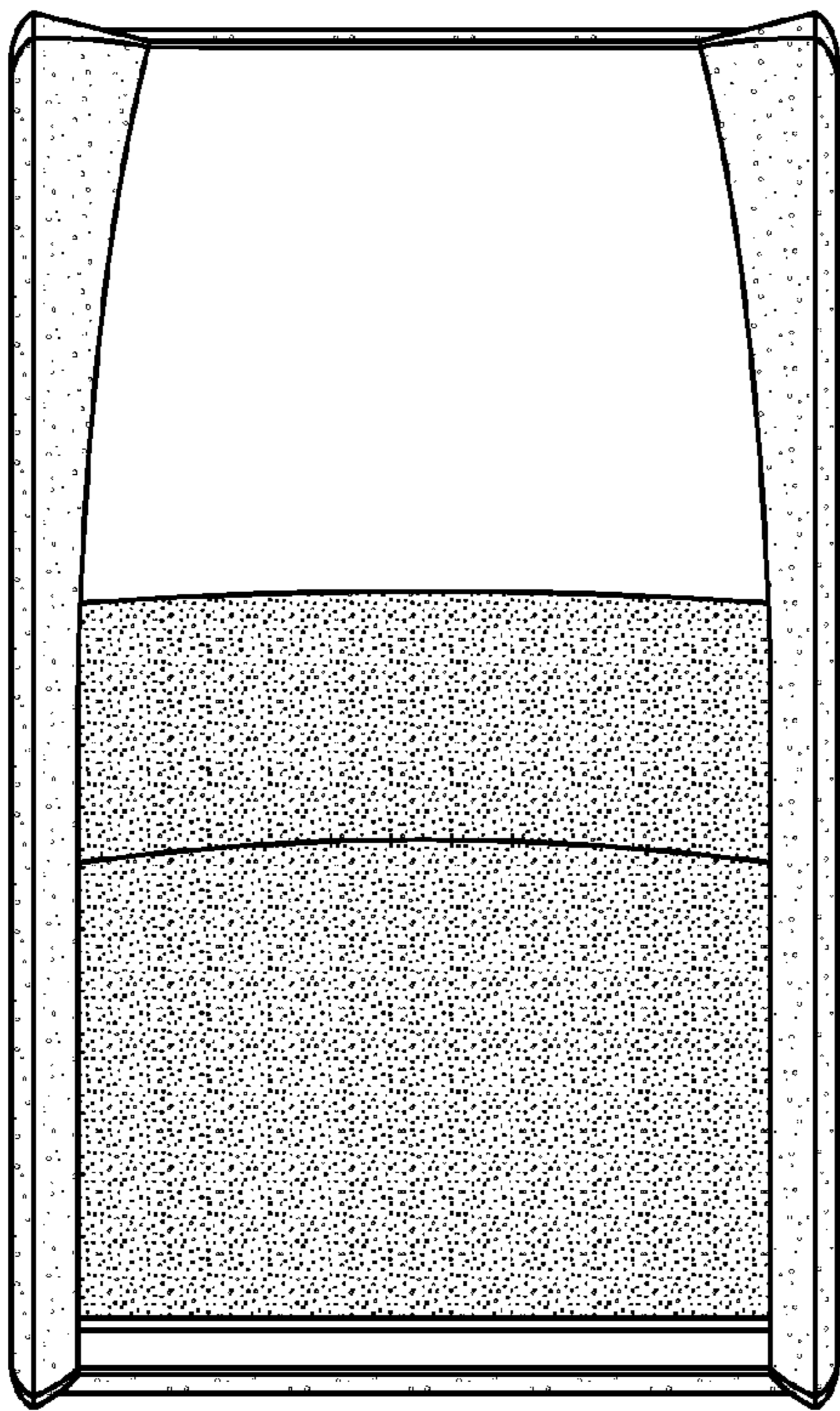


FIG. 24

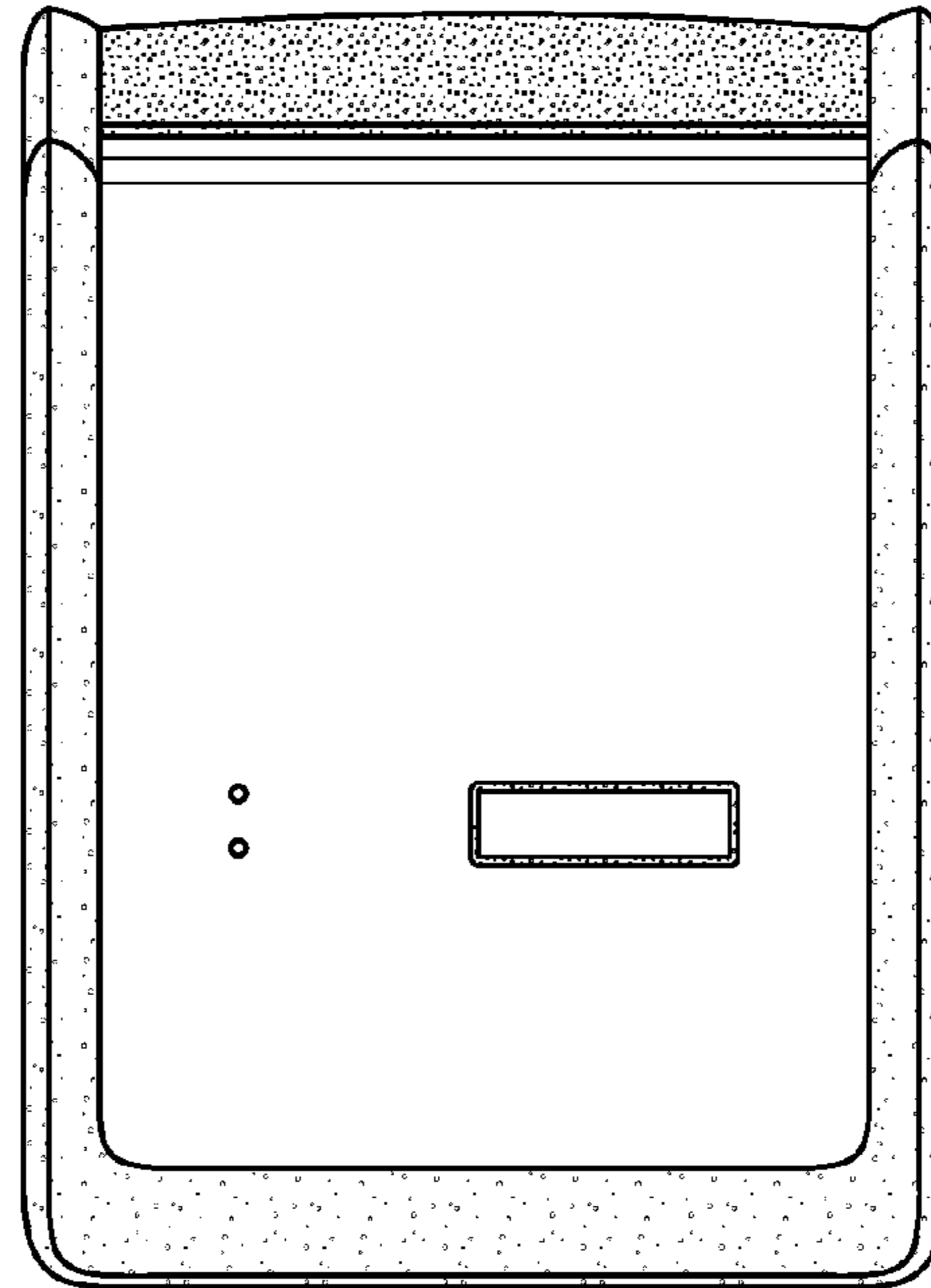


FIG. 25

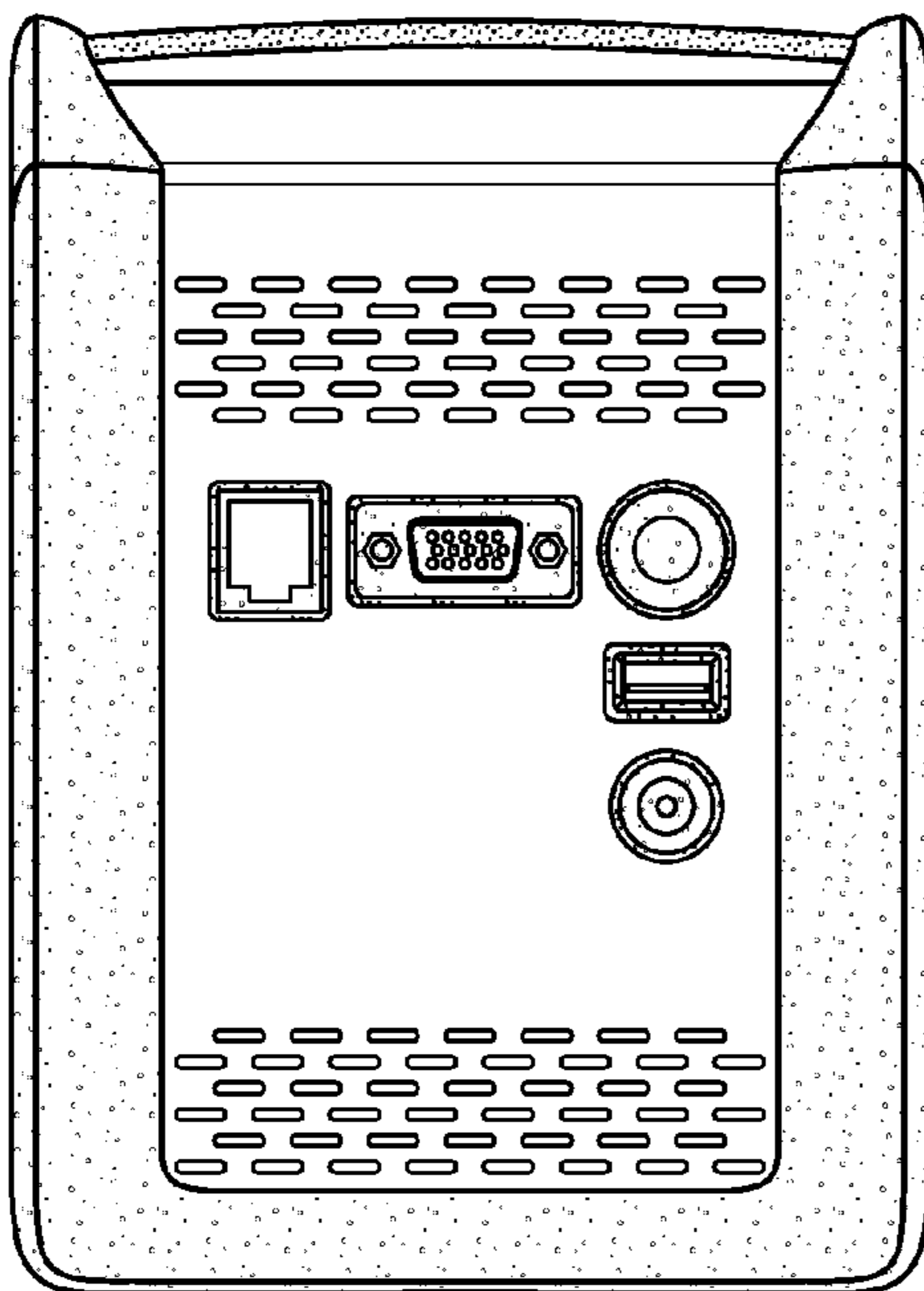


FIG. 26

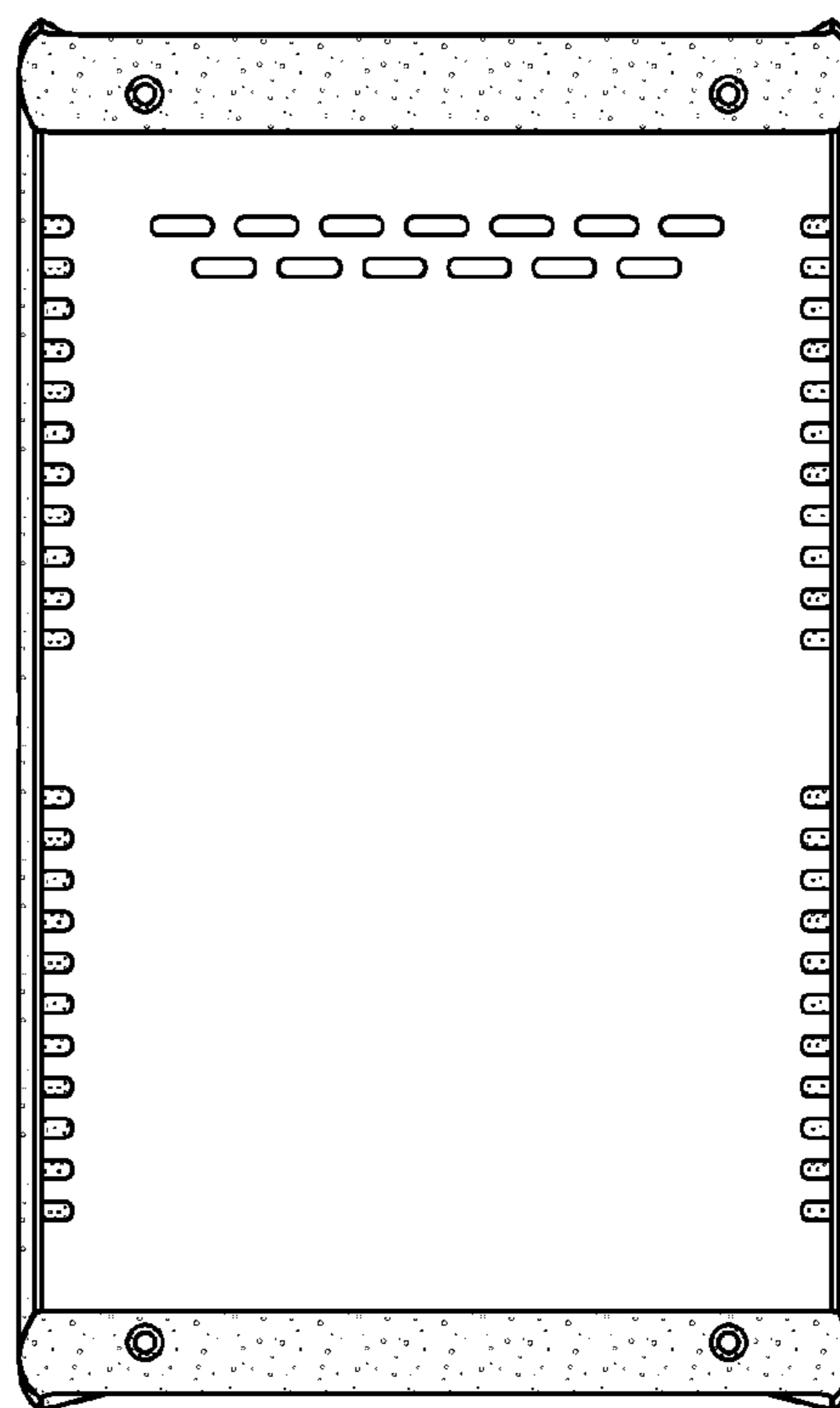


FIG. 27

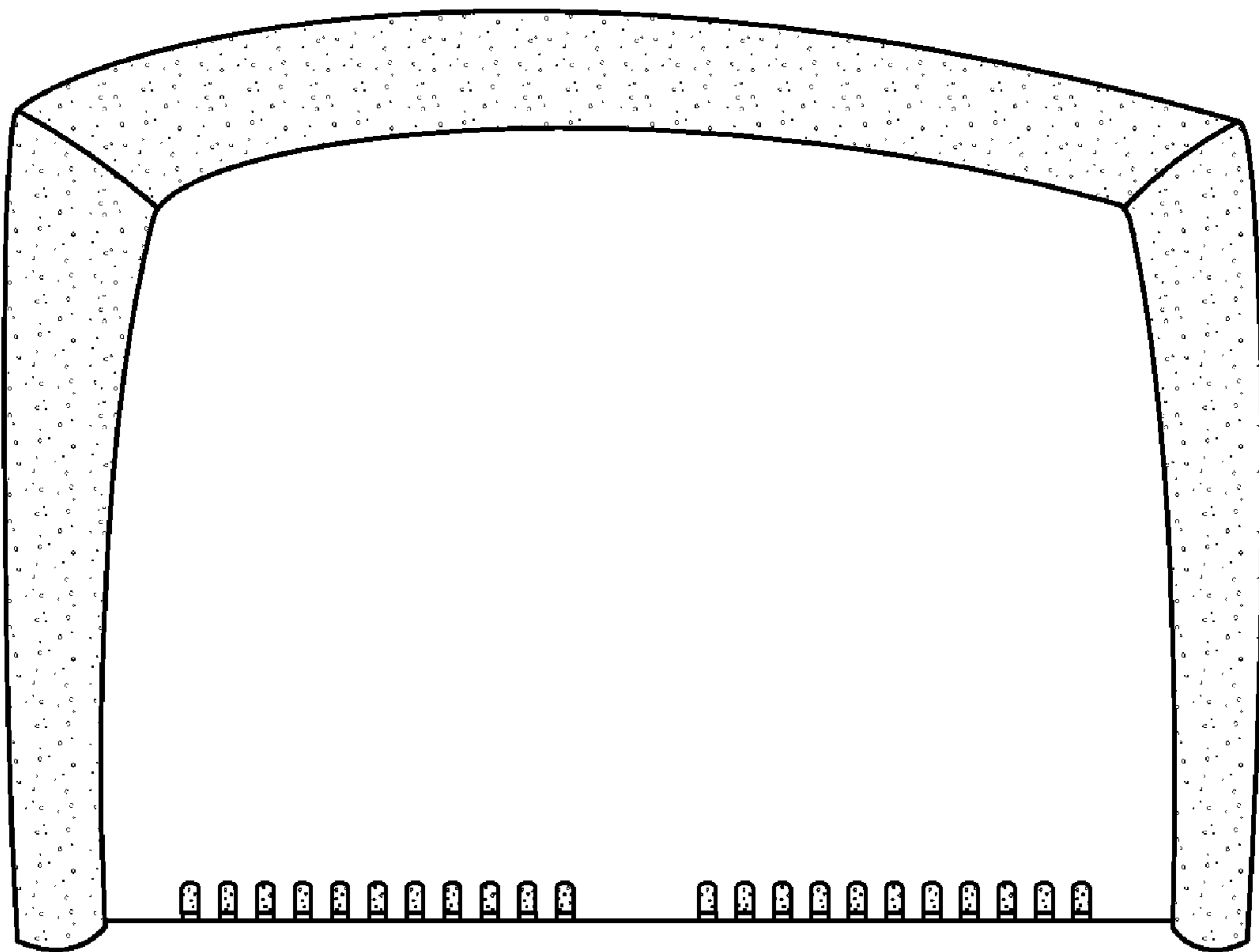


FIG. 28

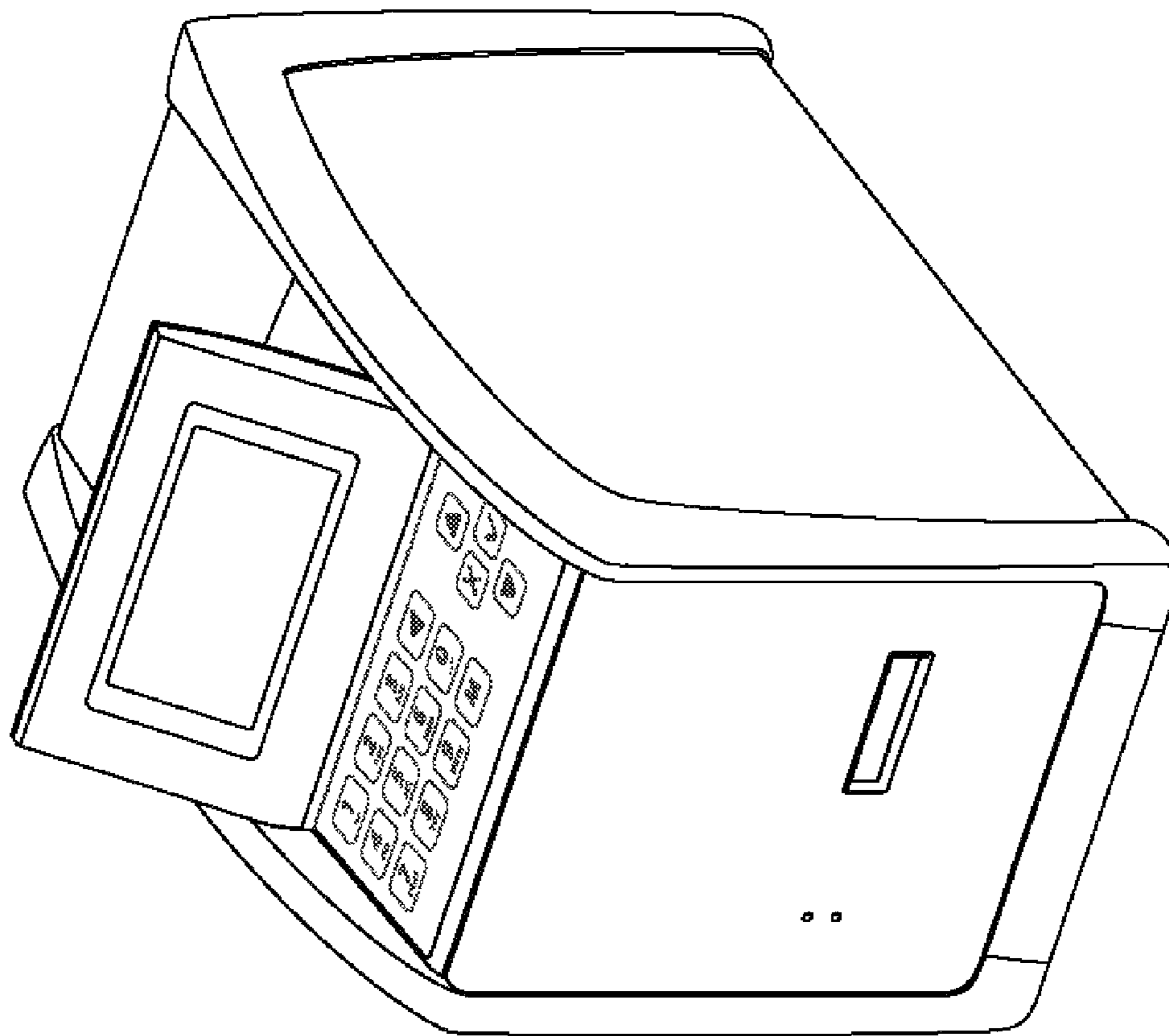


FIG. 29

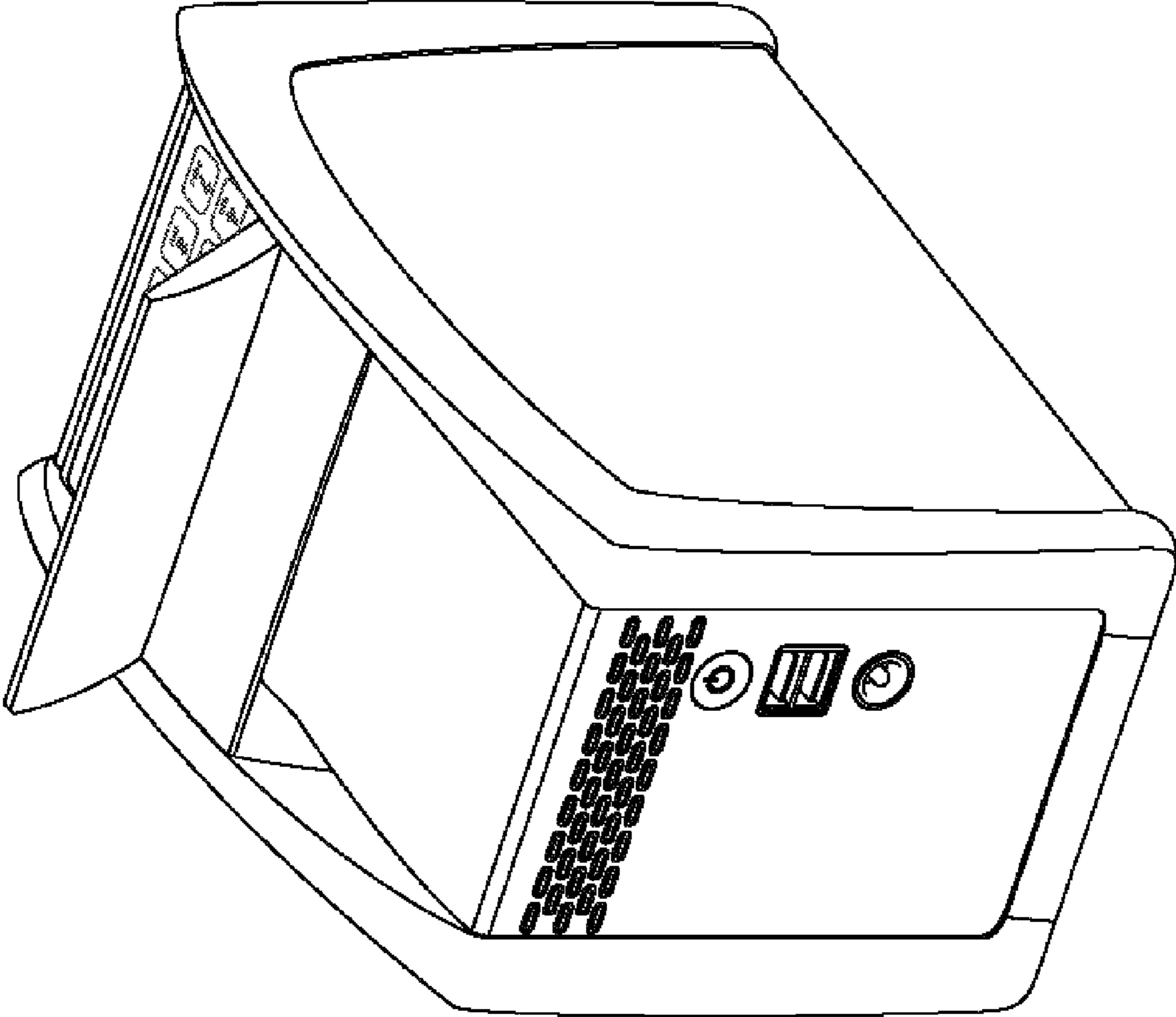


FIG. 30

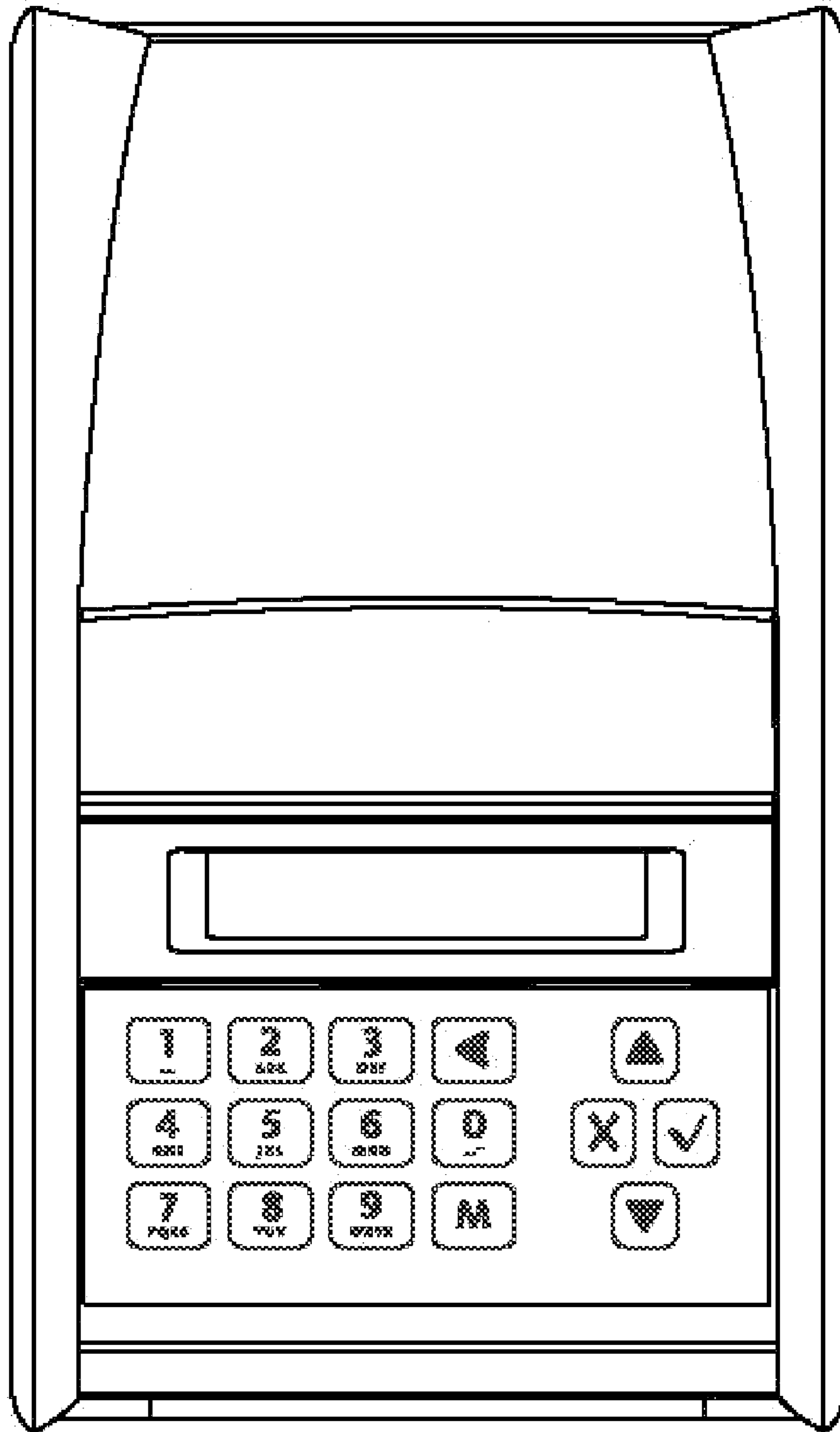


FIG. 31

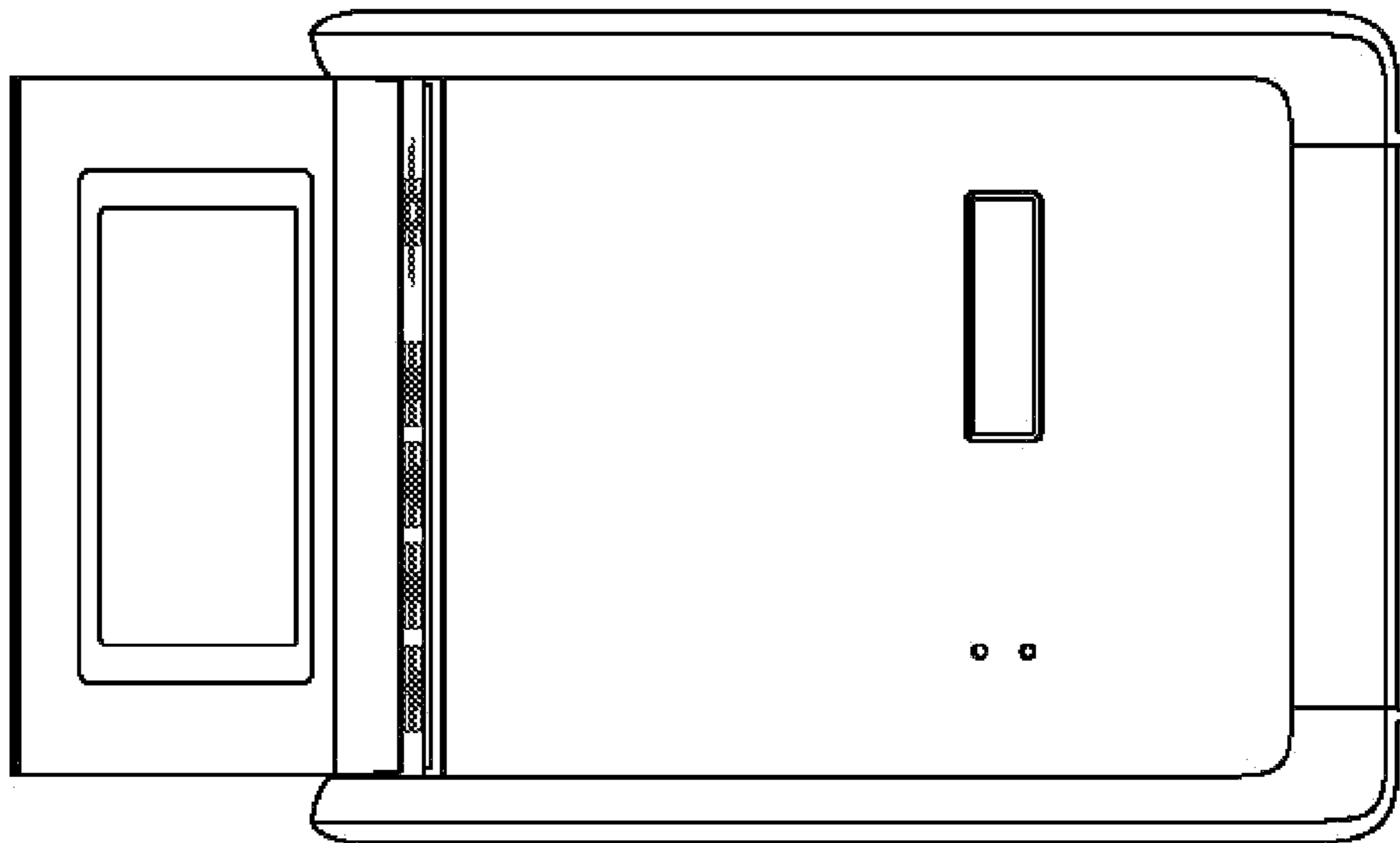


FIG. 32

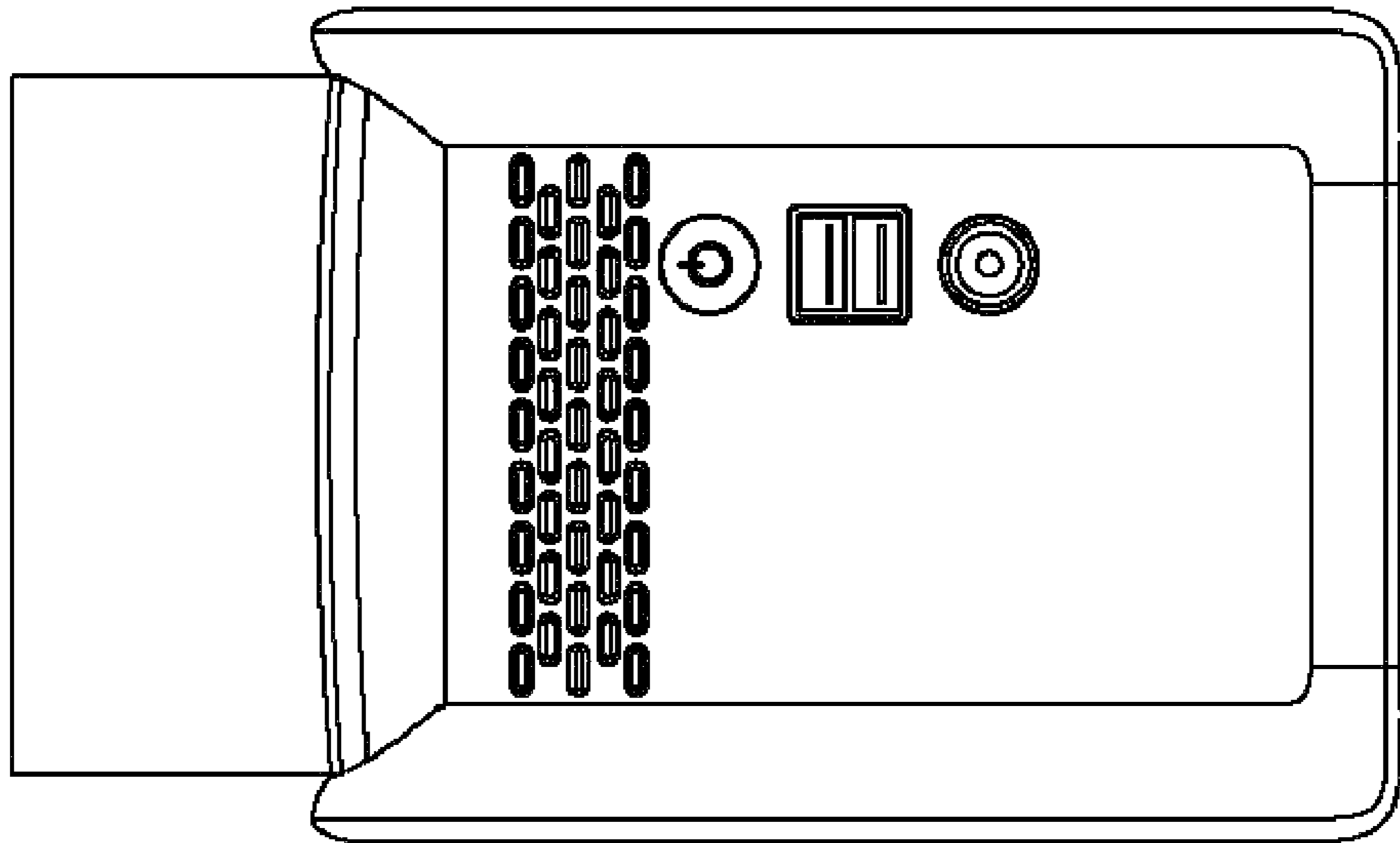


FIG. 33

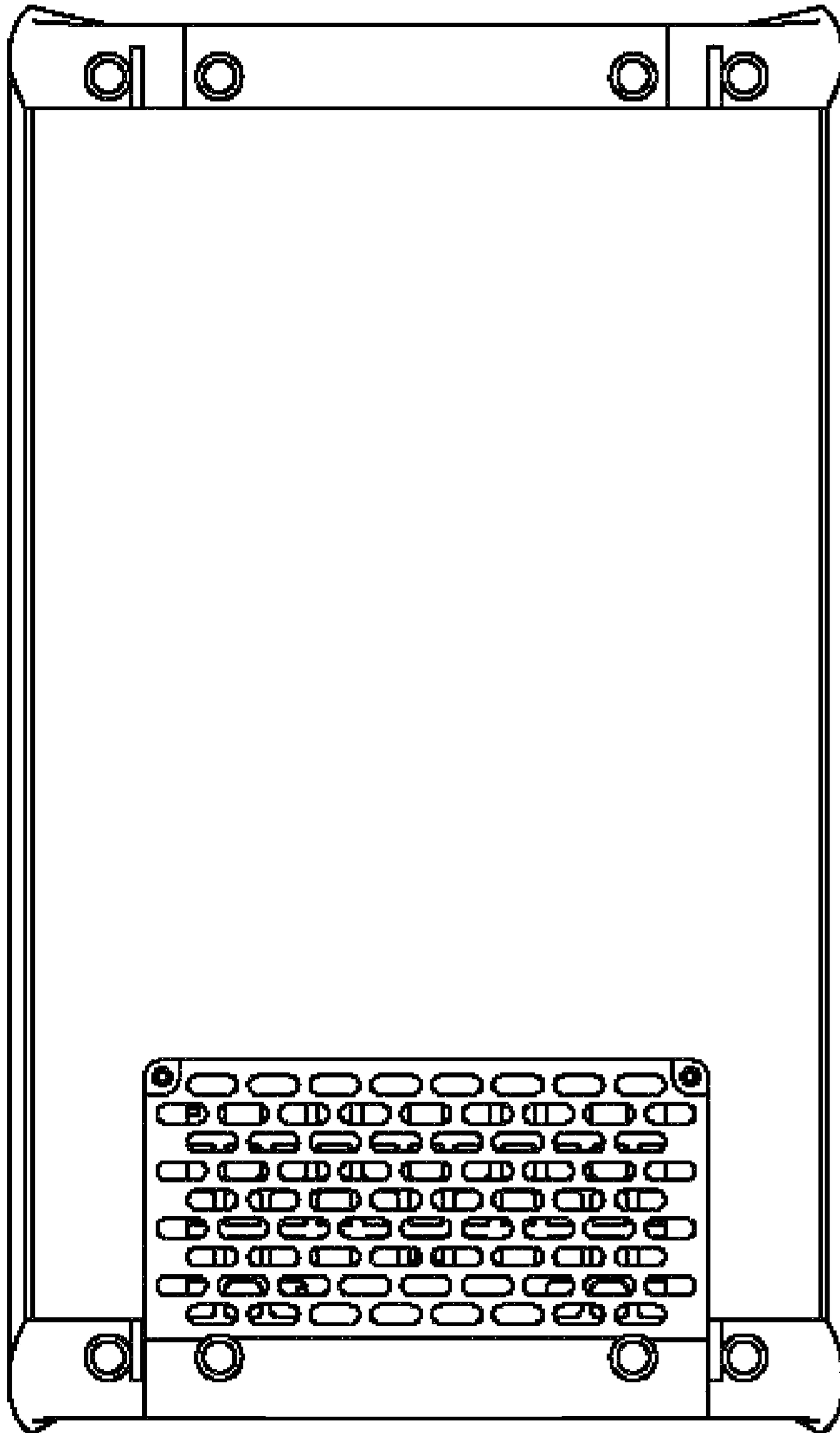


FIG. 34

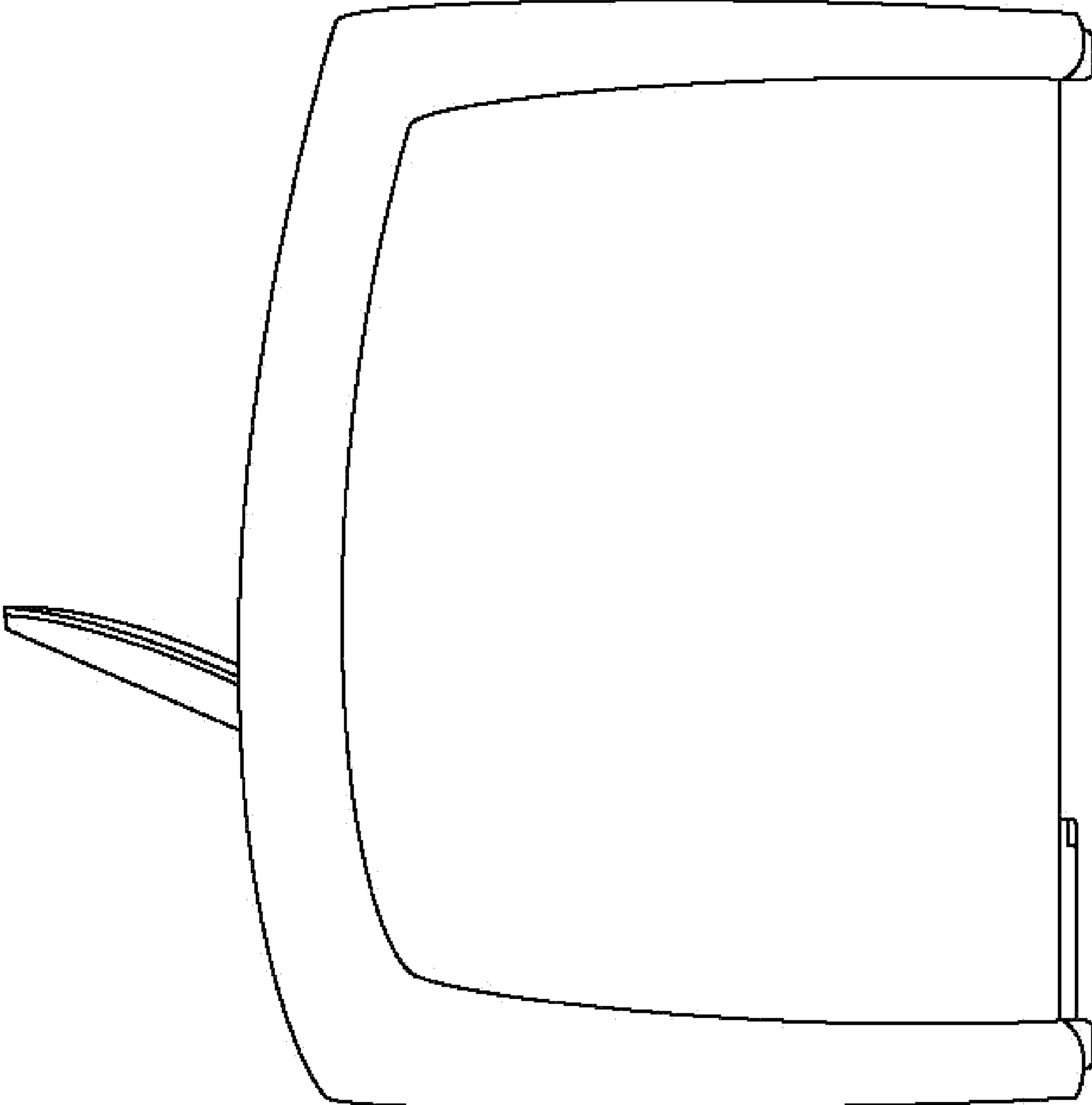


FIG. 35

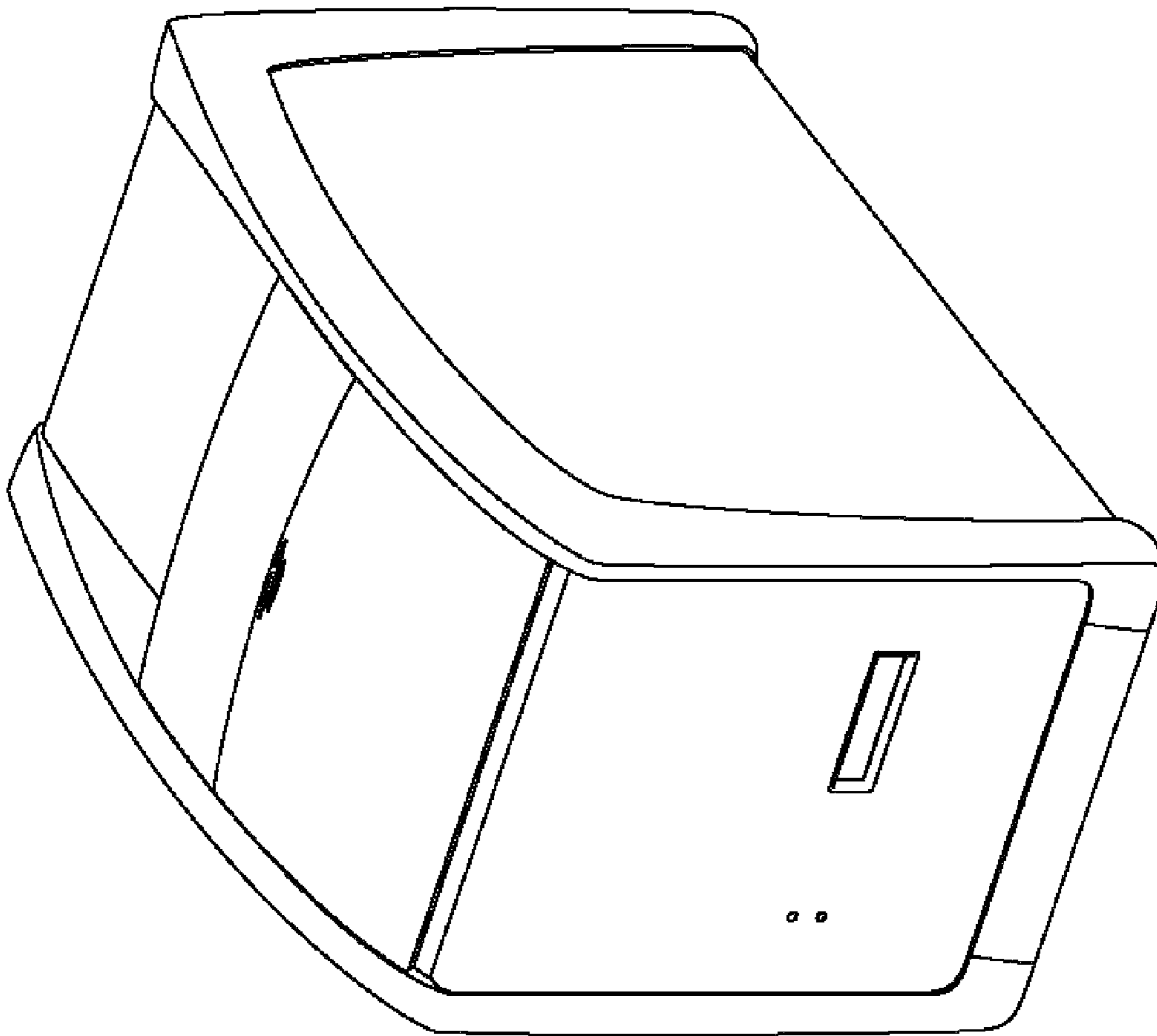


FIG. 36

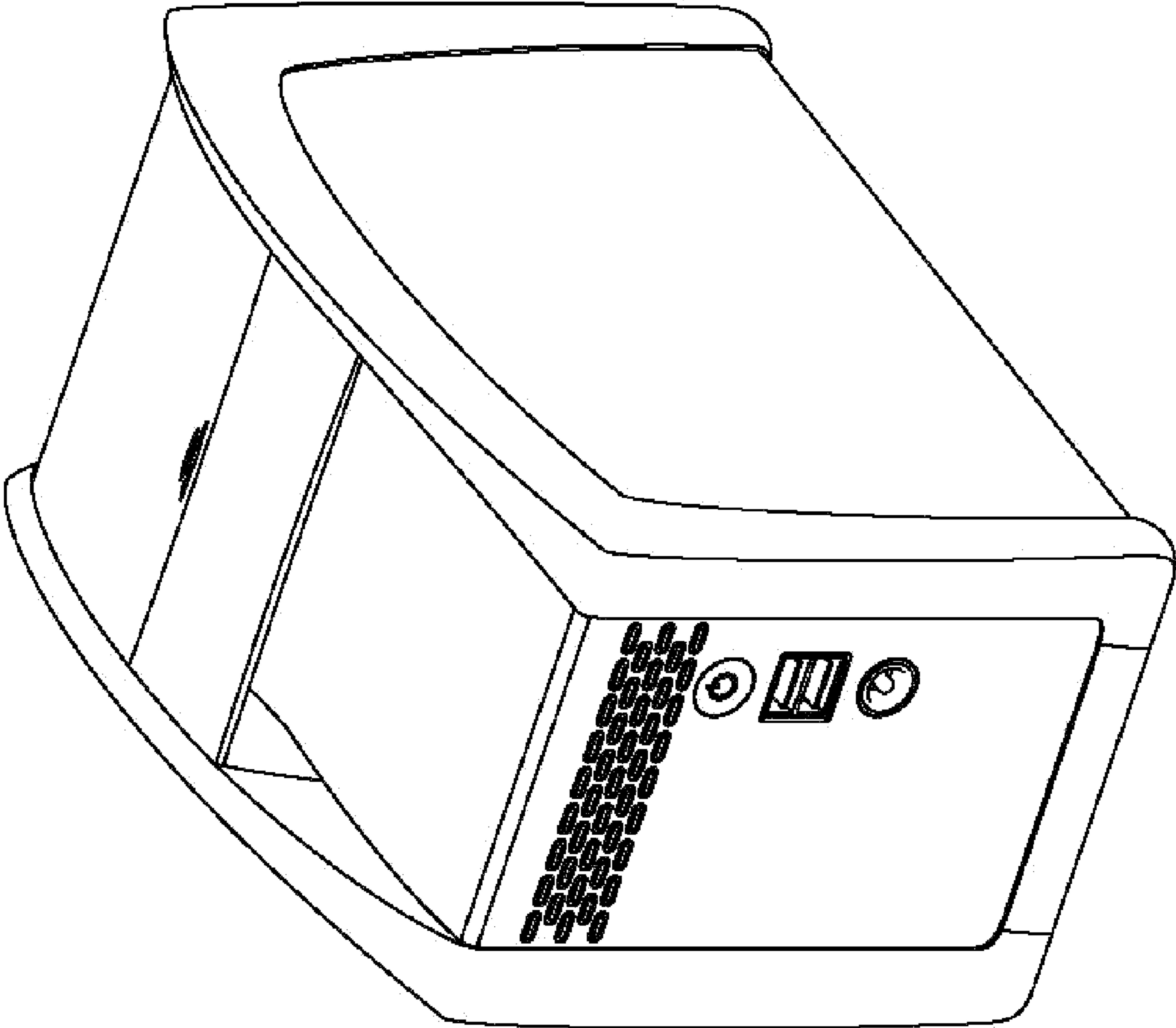


FIG. 37

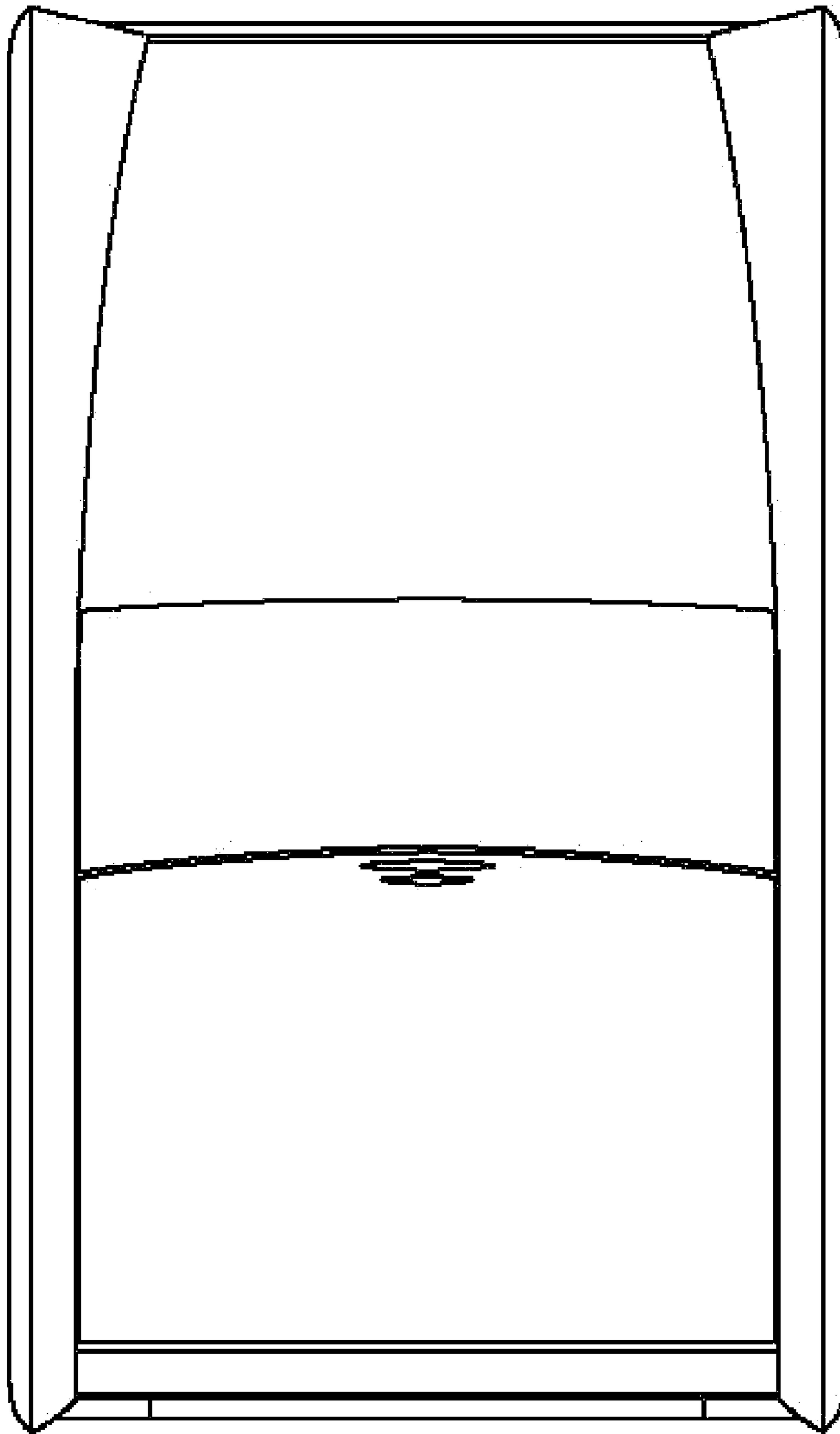


FIG. 38

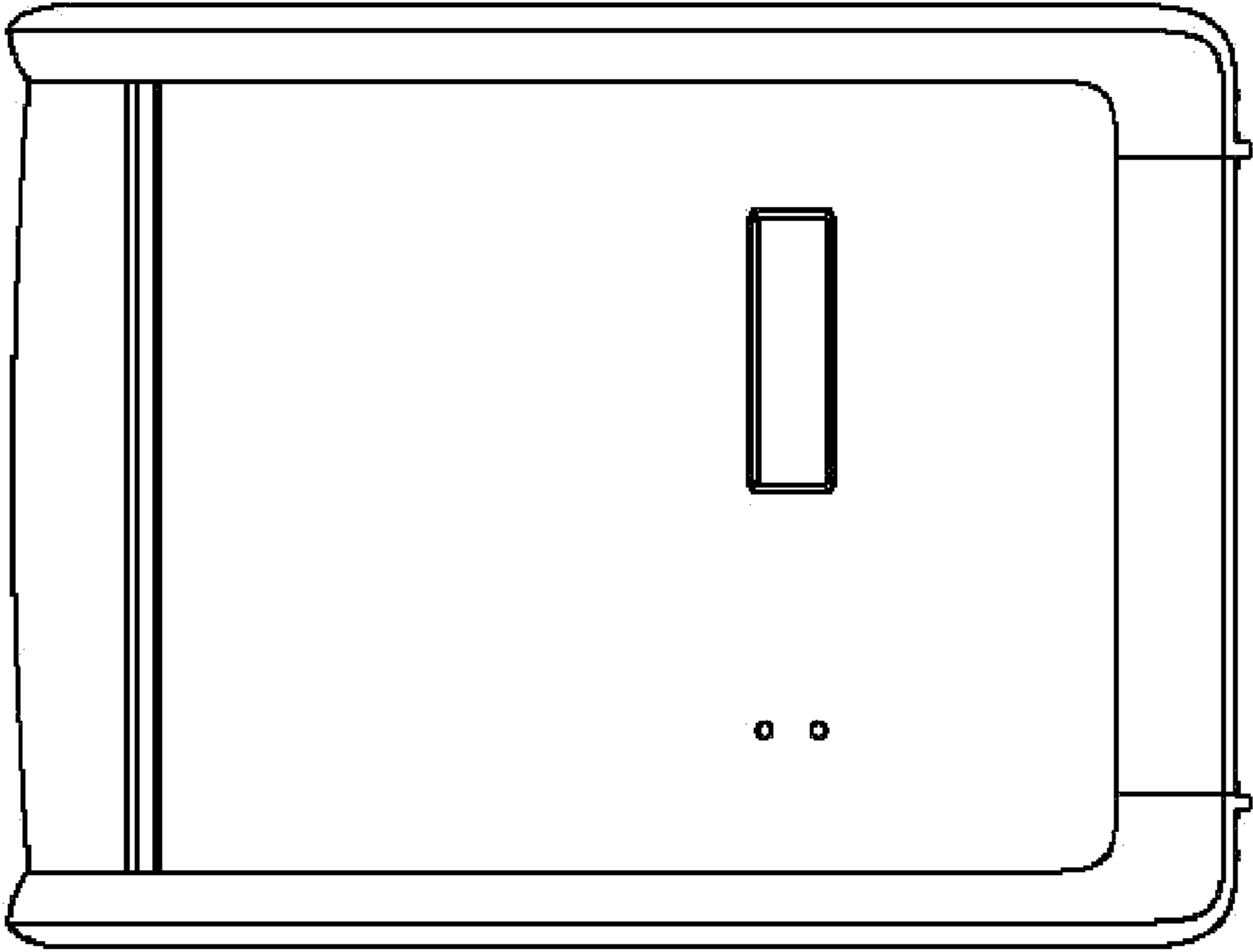


FIG. 39

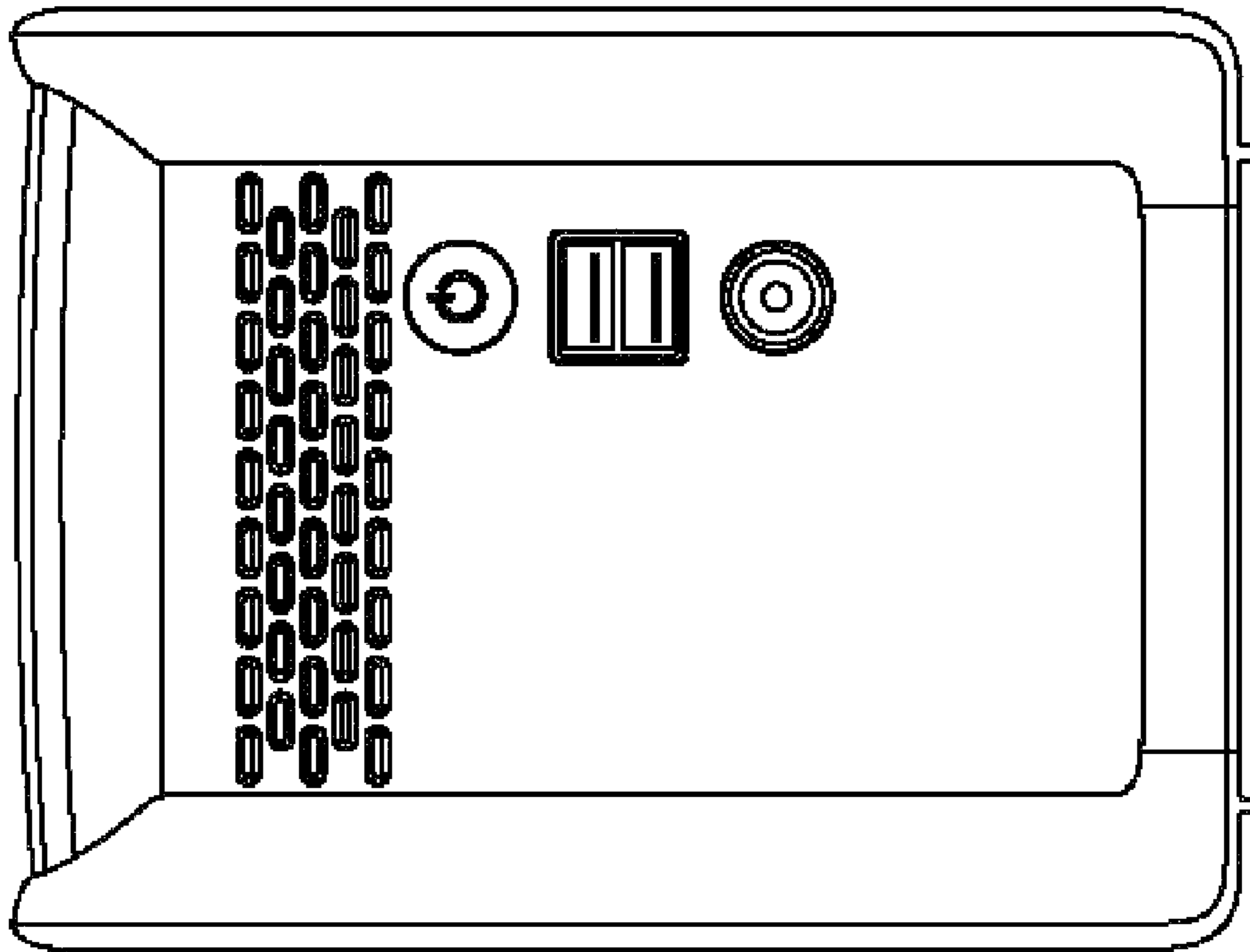


FIG. 40

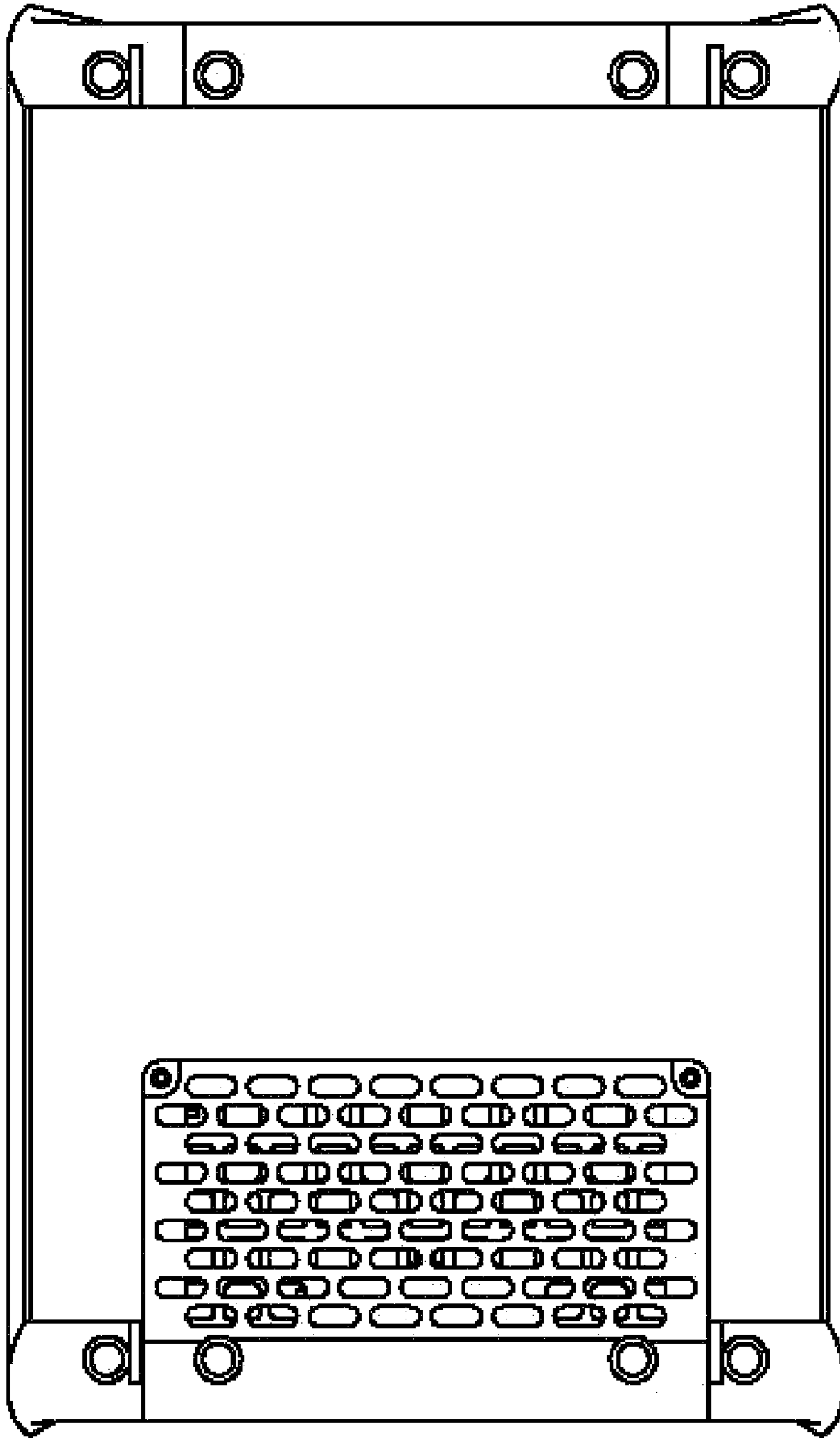


FIG. 41

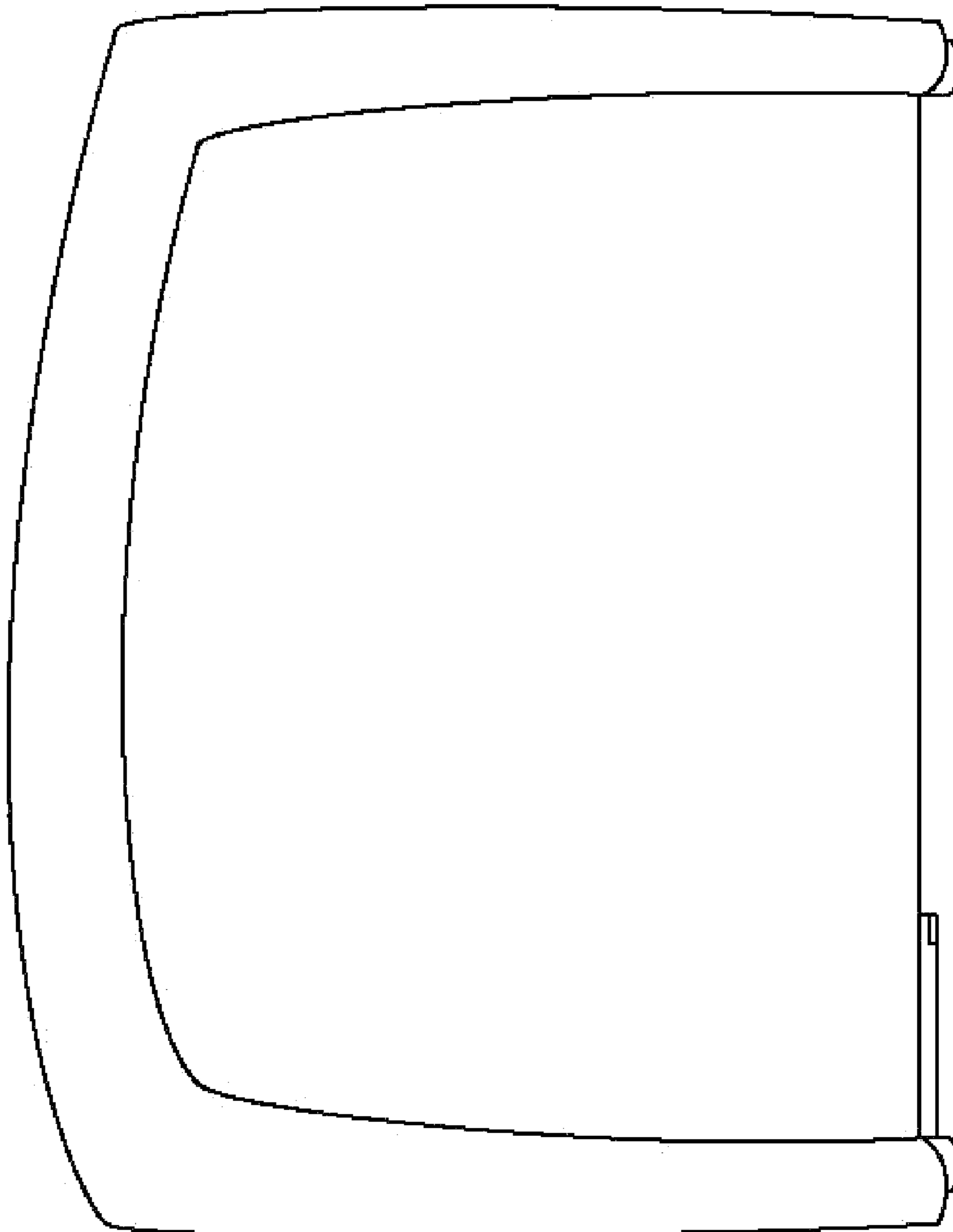


FIG. 42

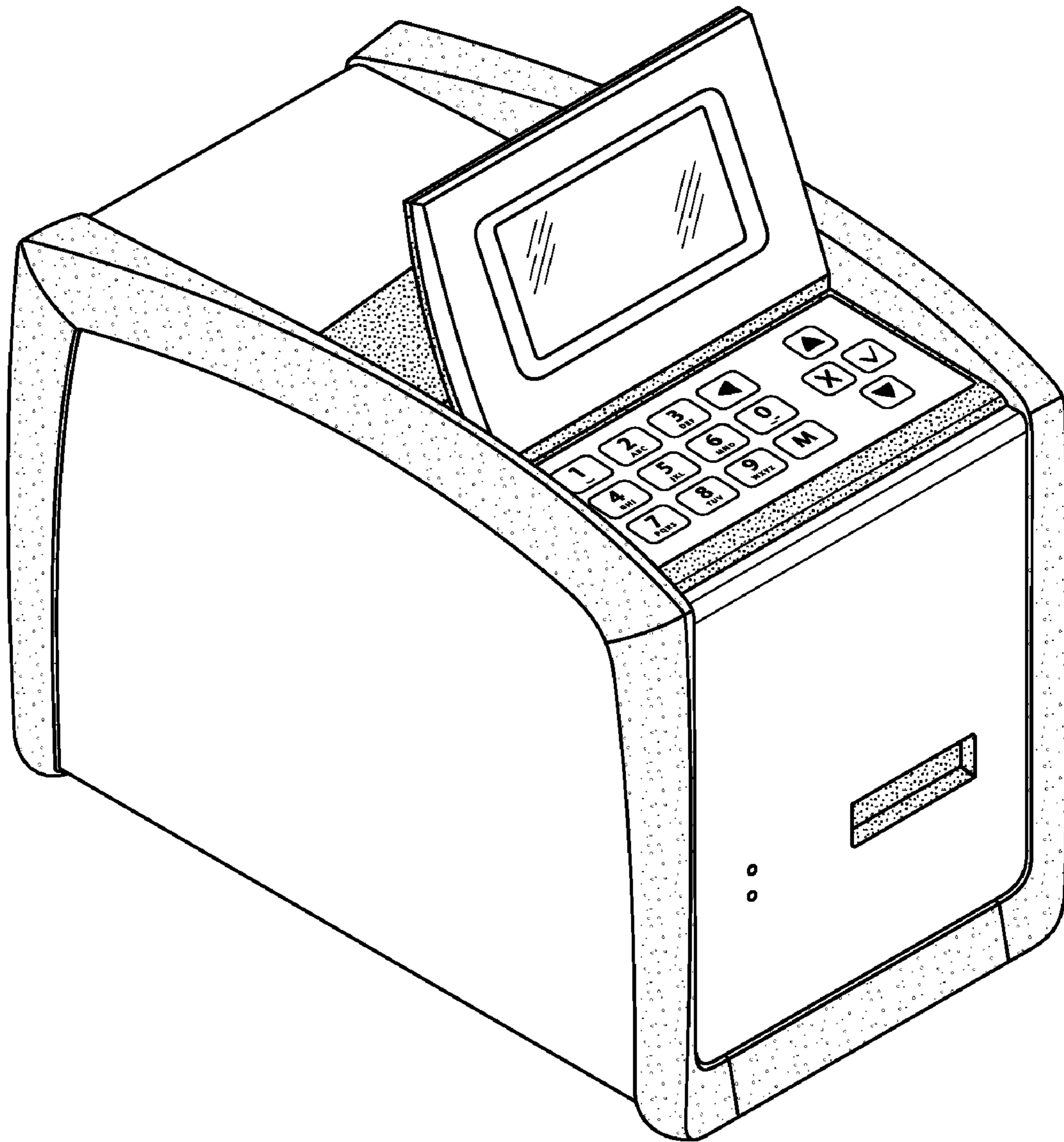


FIG. 43

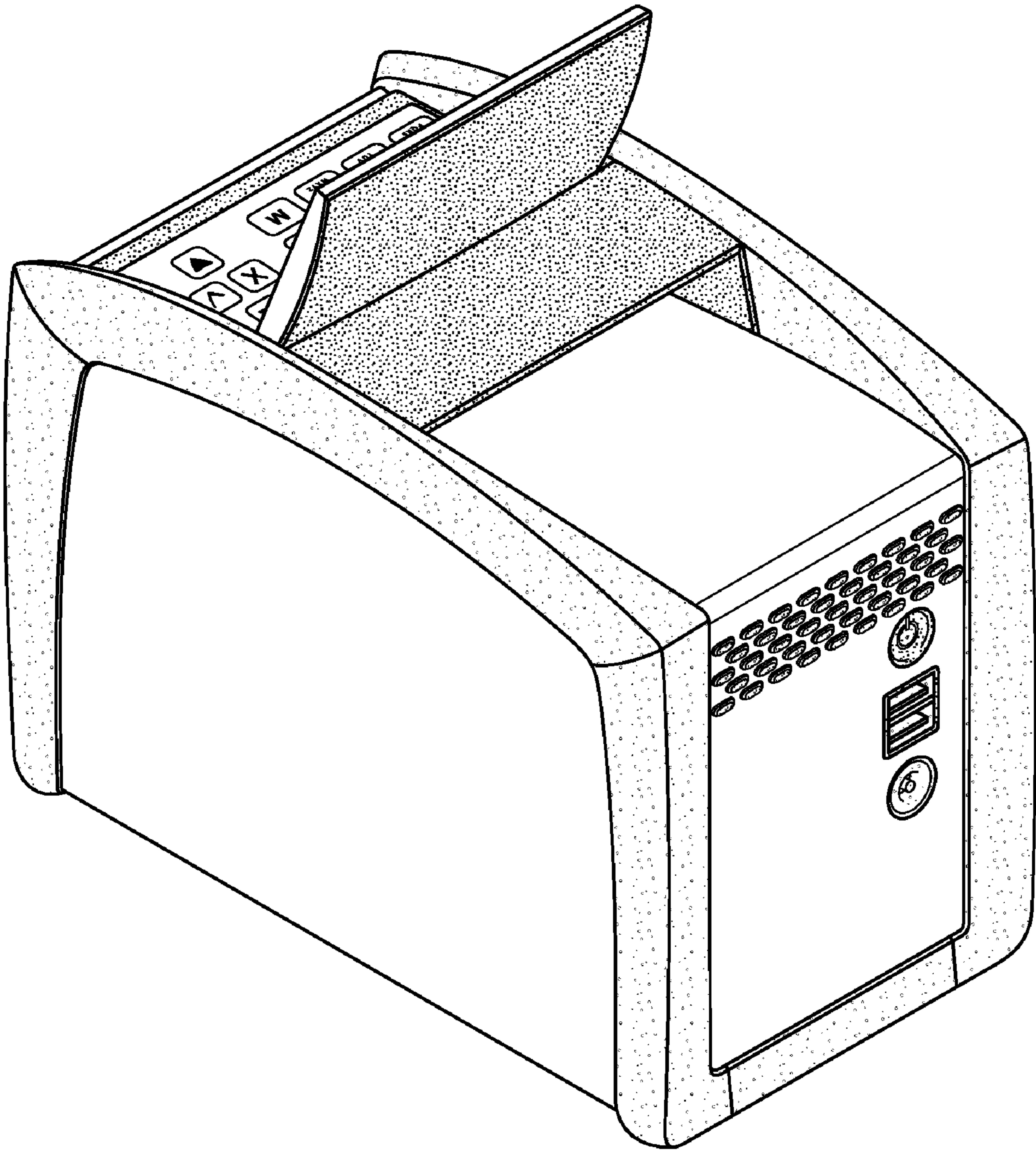


FIG. 44

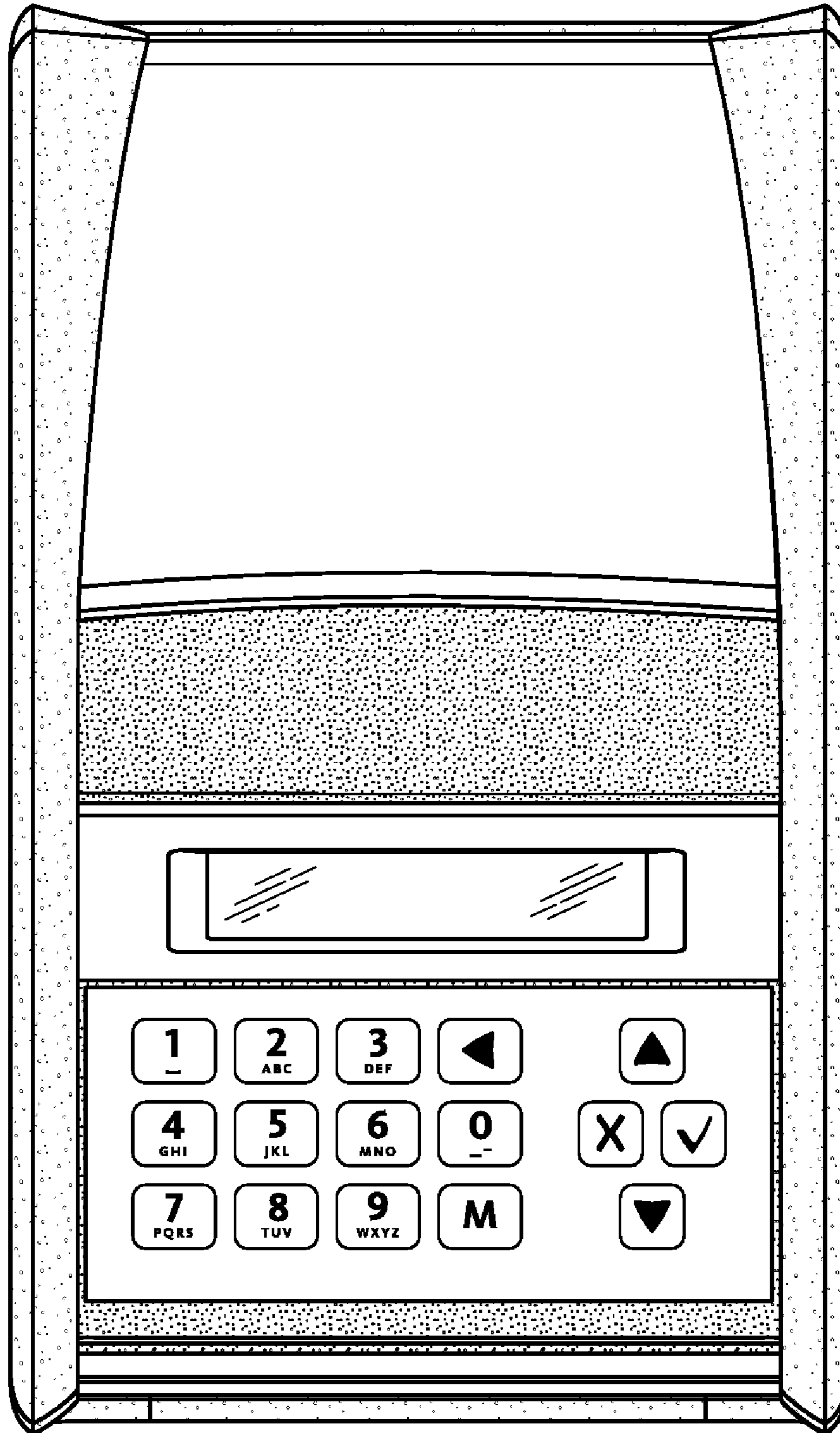


FIG. 45

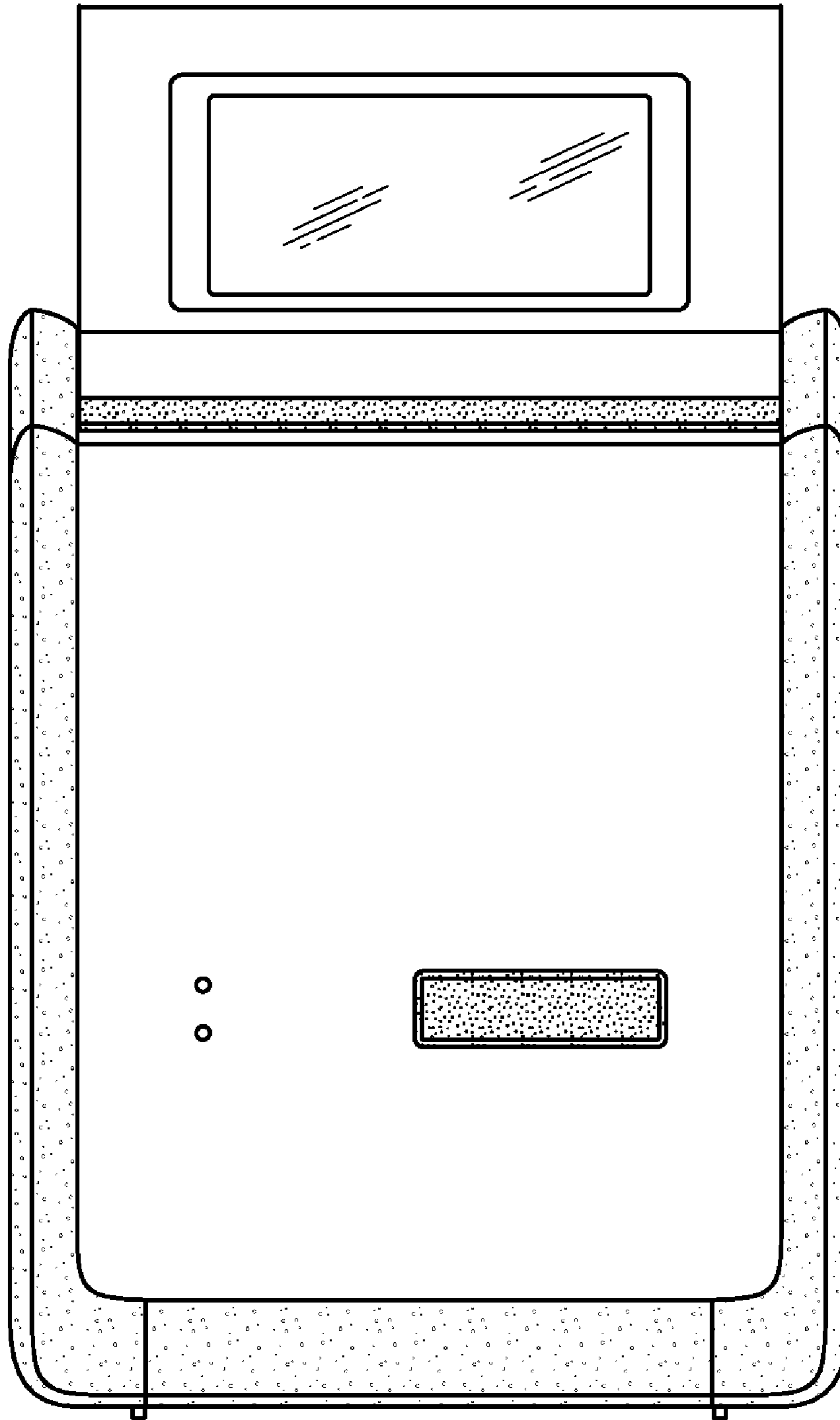


FIG. 46

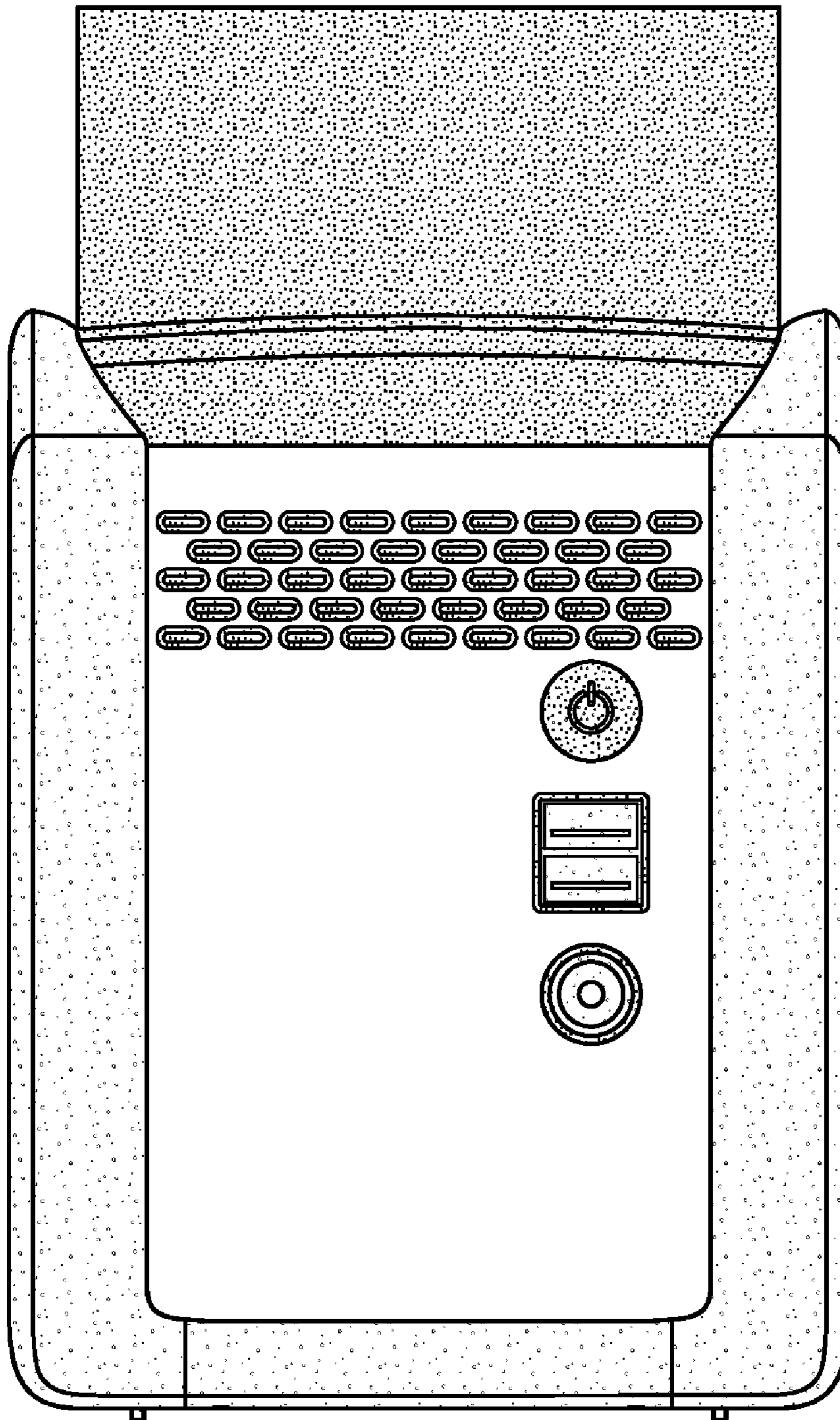


FIG. 47

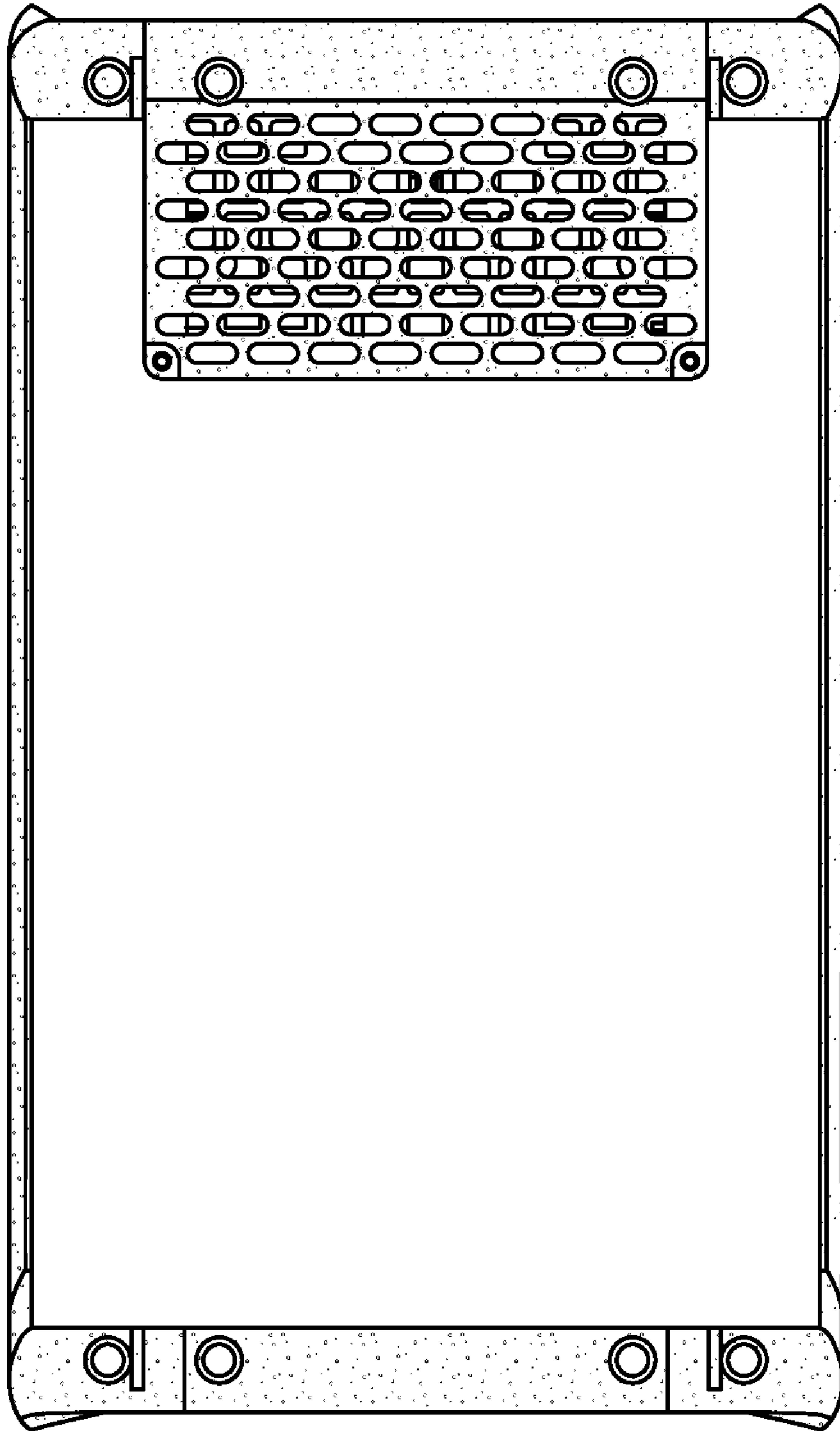


FIG. 48

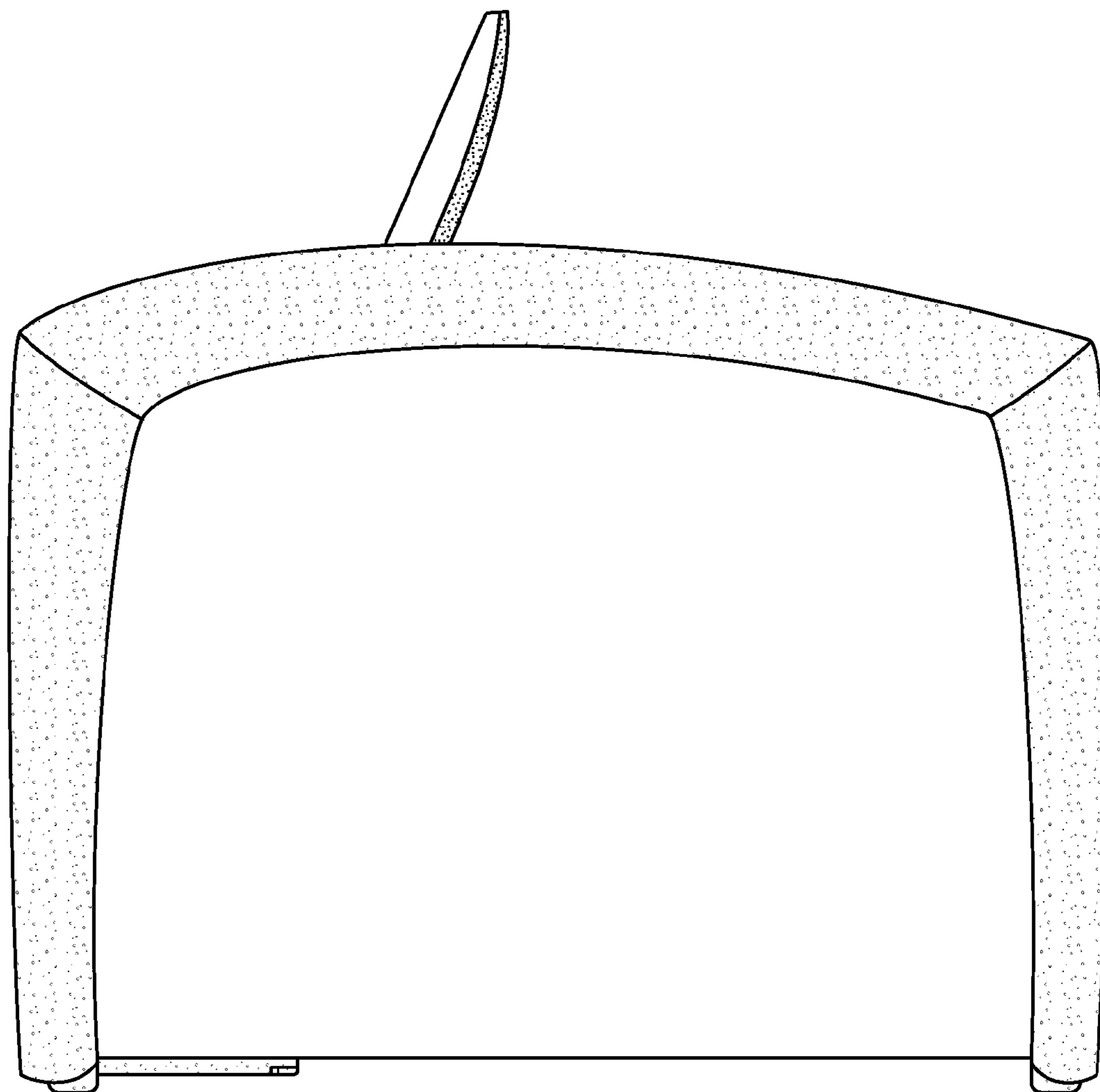


FIG. 49

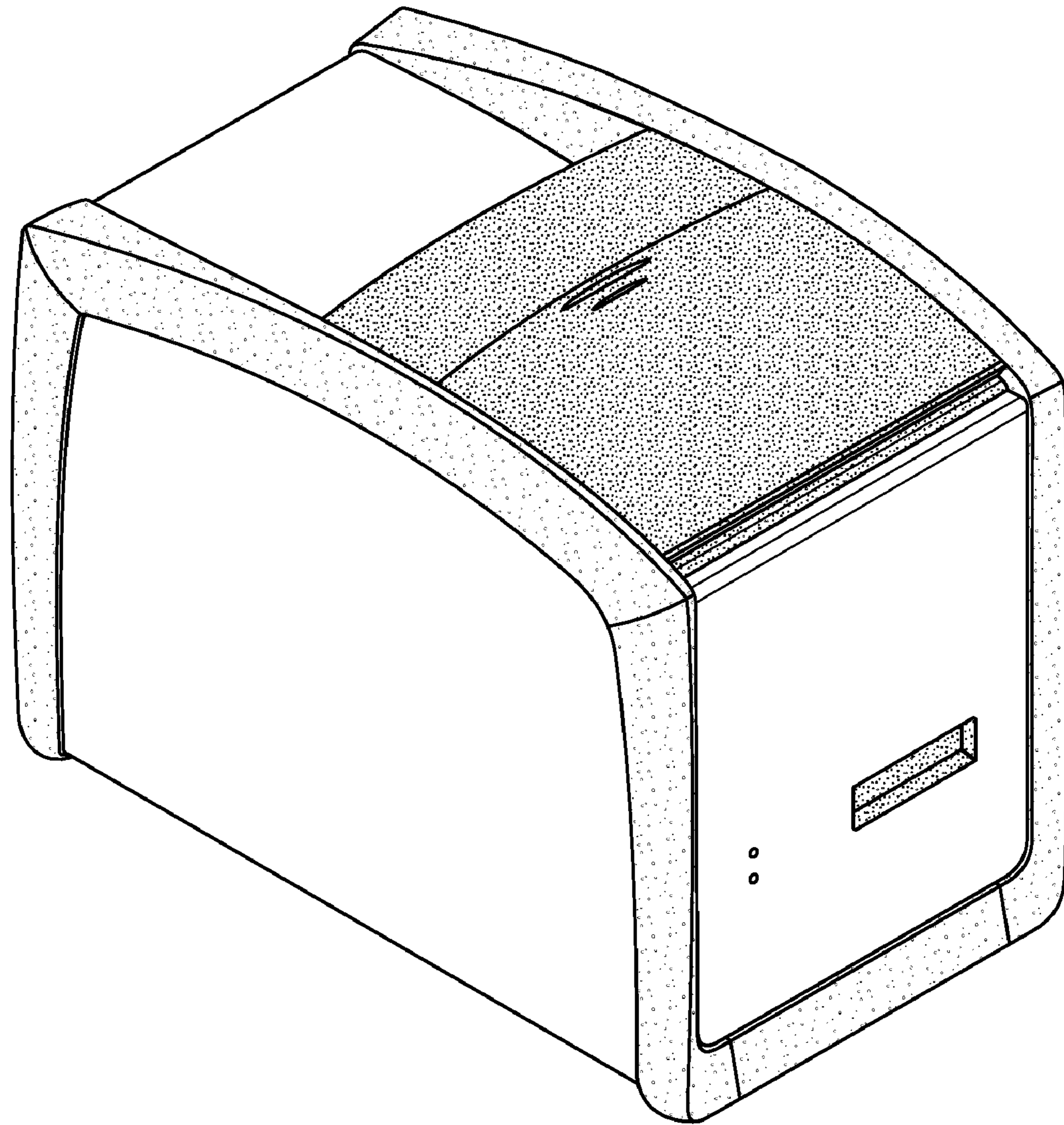


FIG. 50

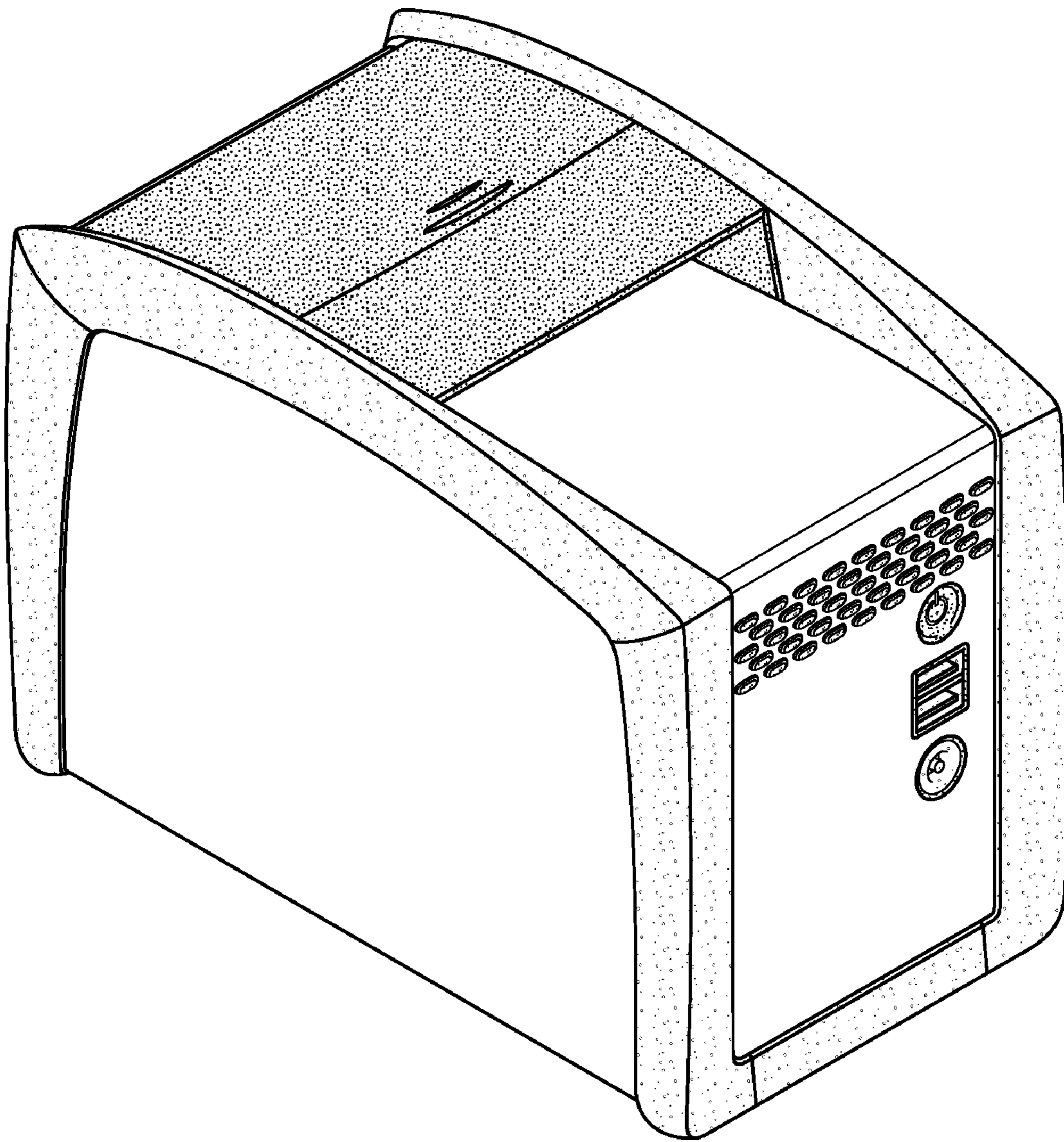


FIG. 51

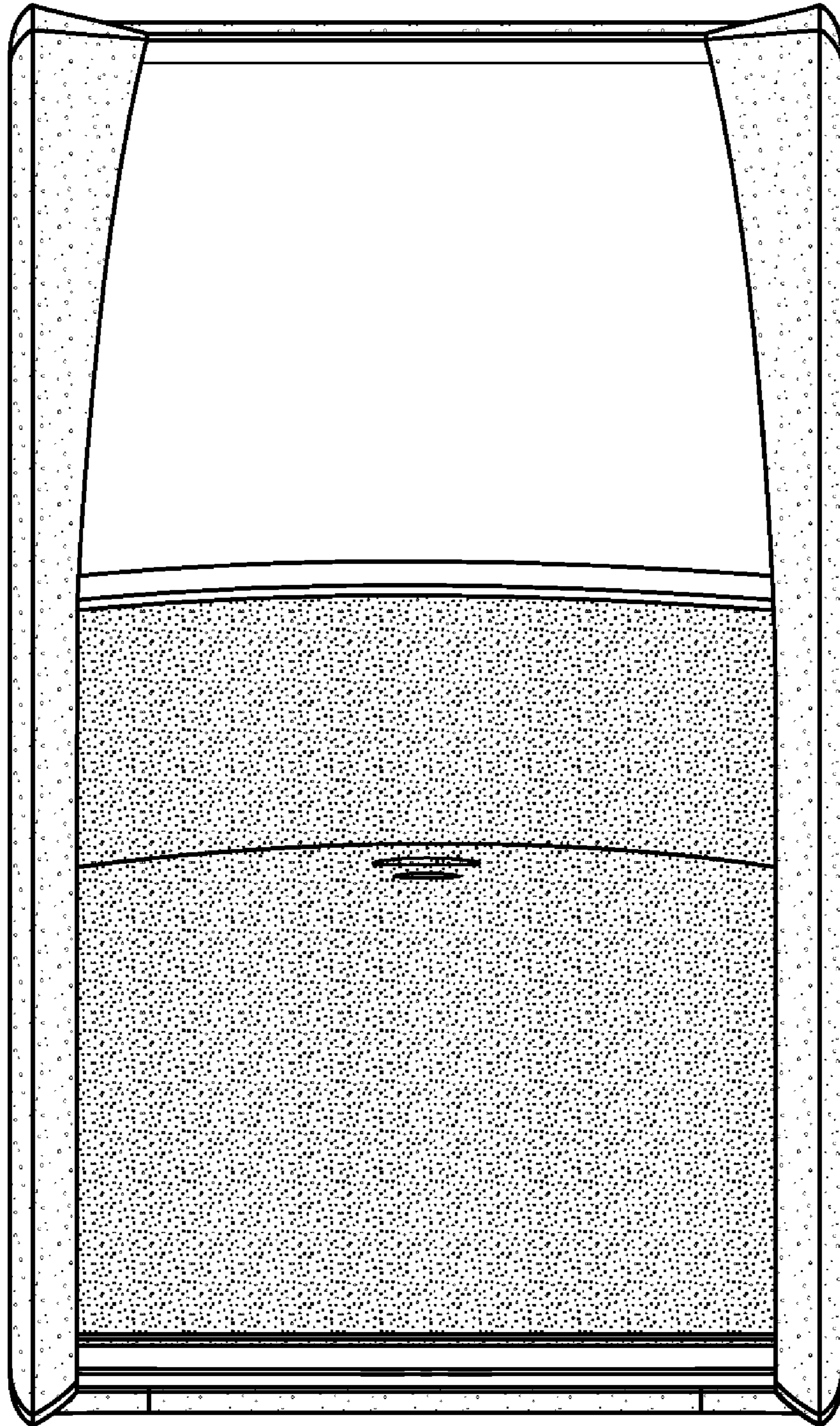


FIG. 52

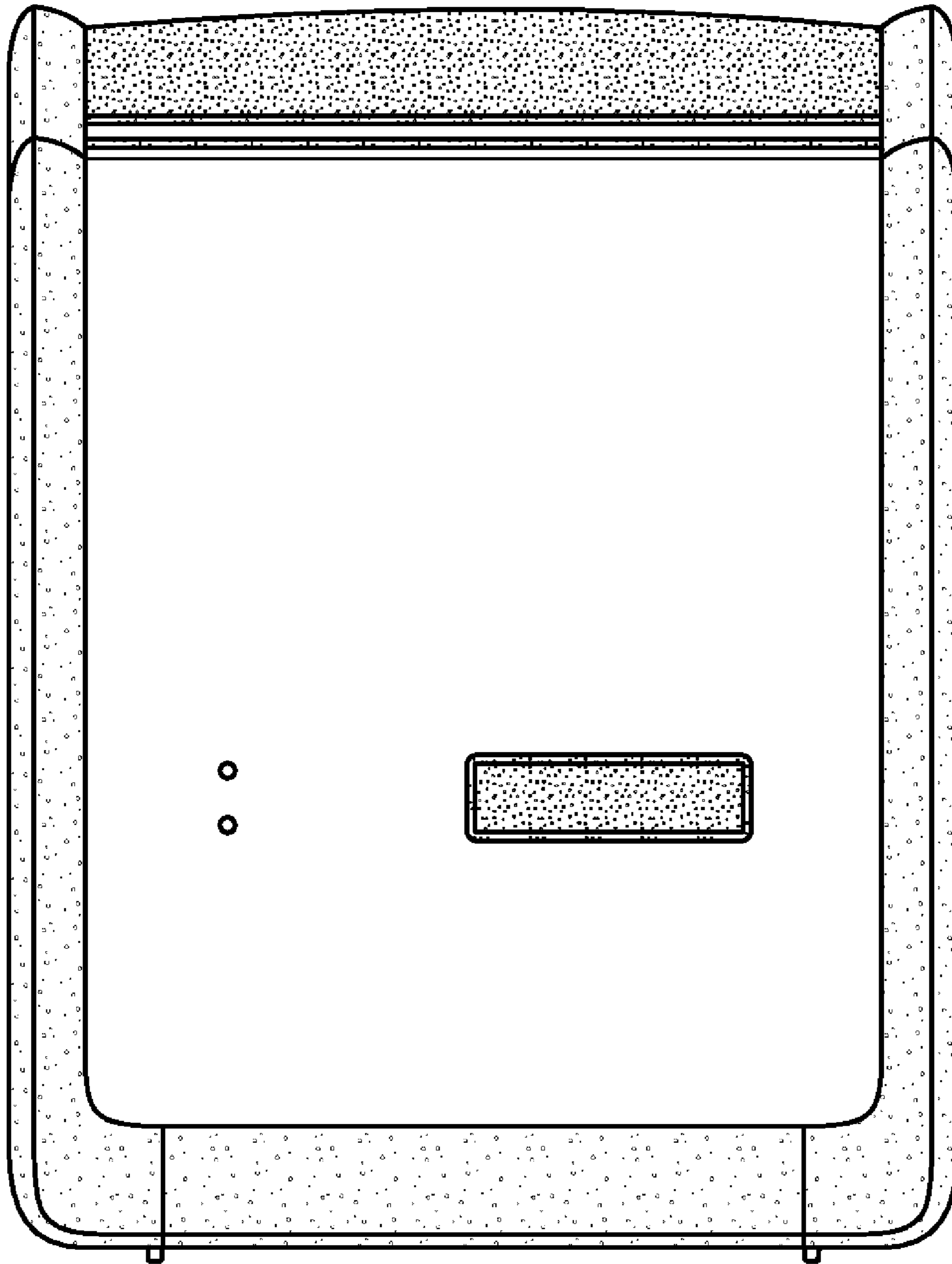


FIG. 53

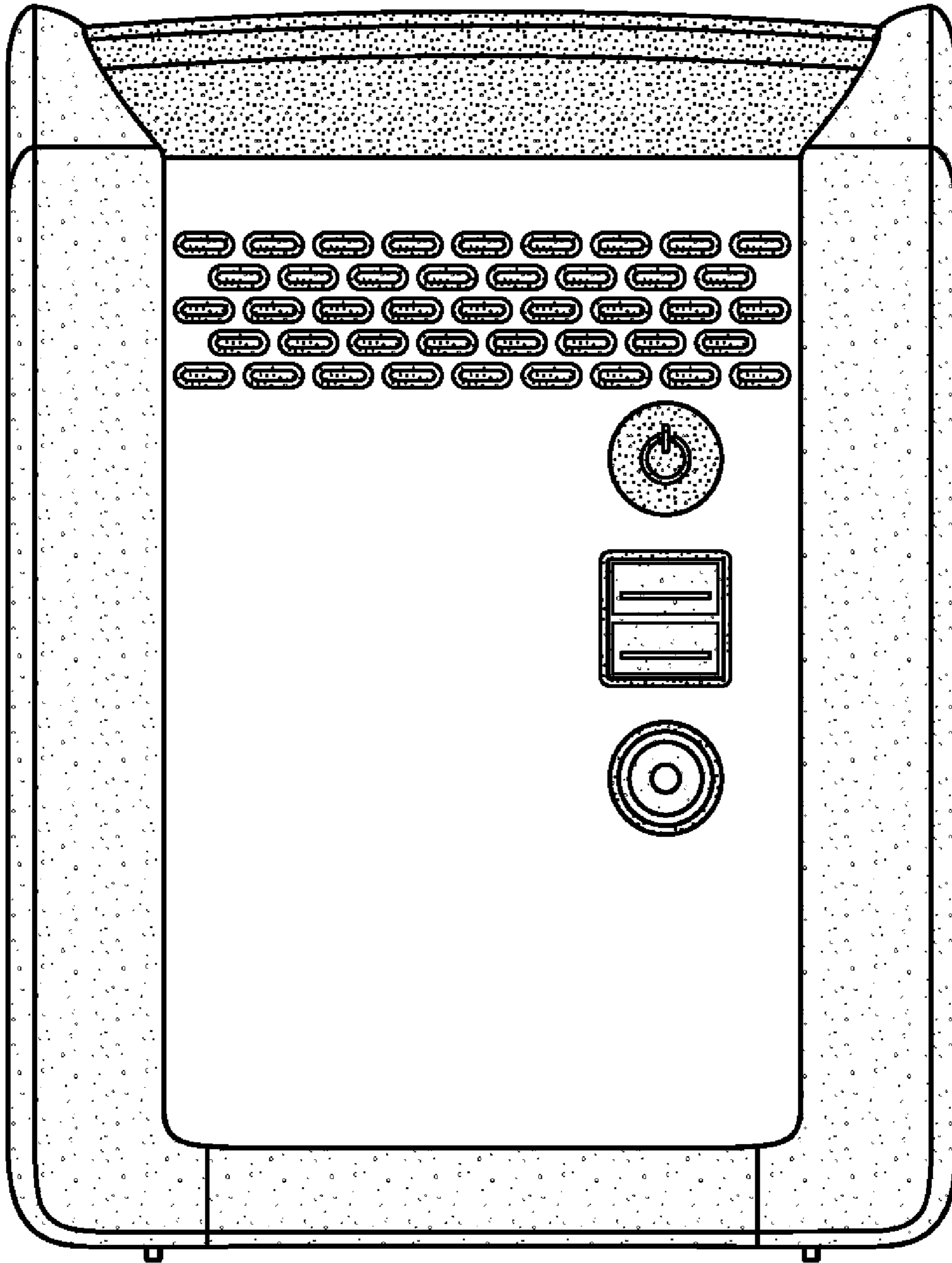


FIG. 54

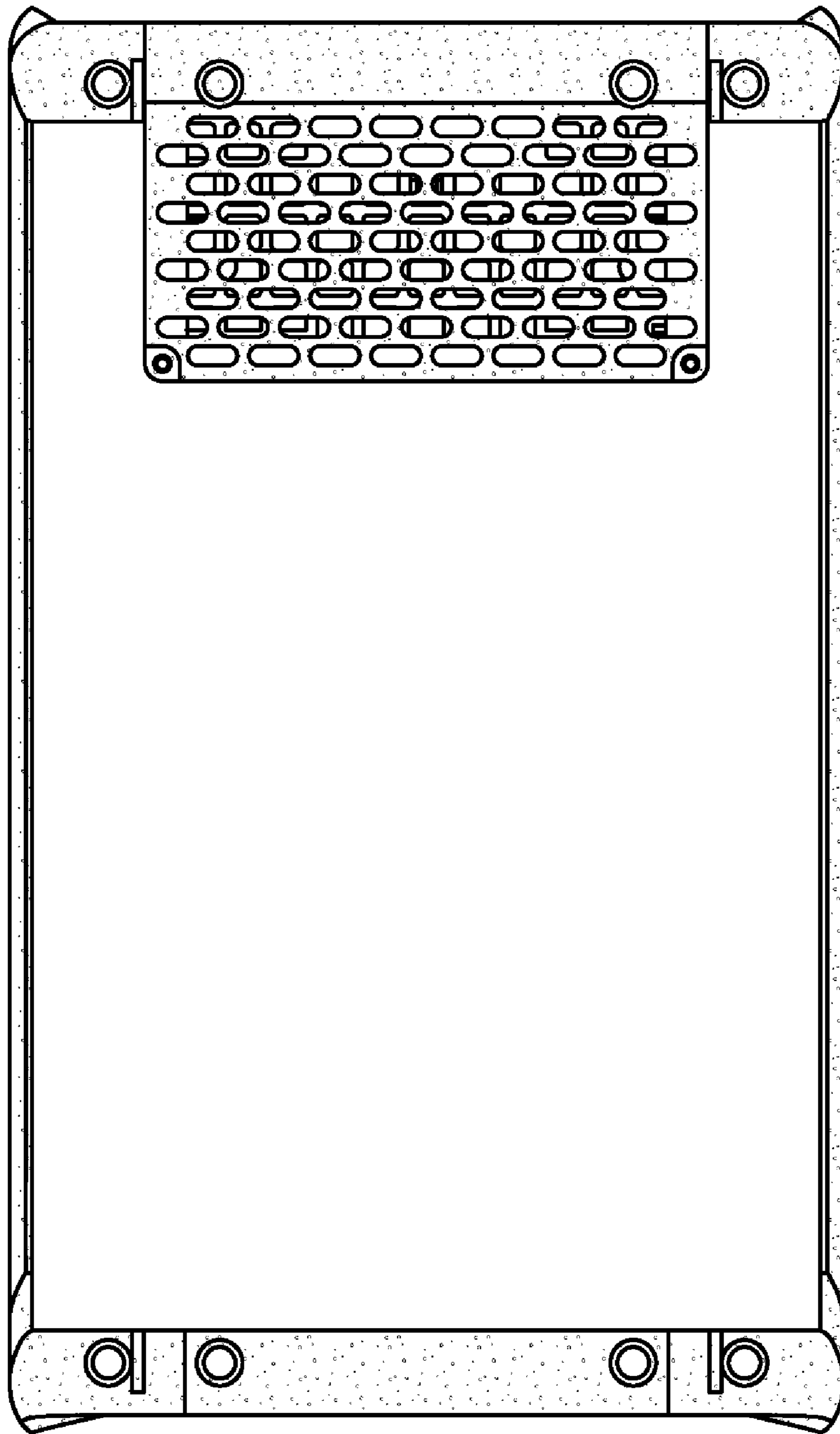


FIG. 55

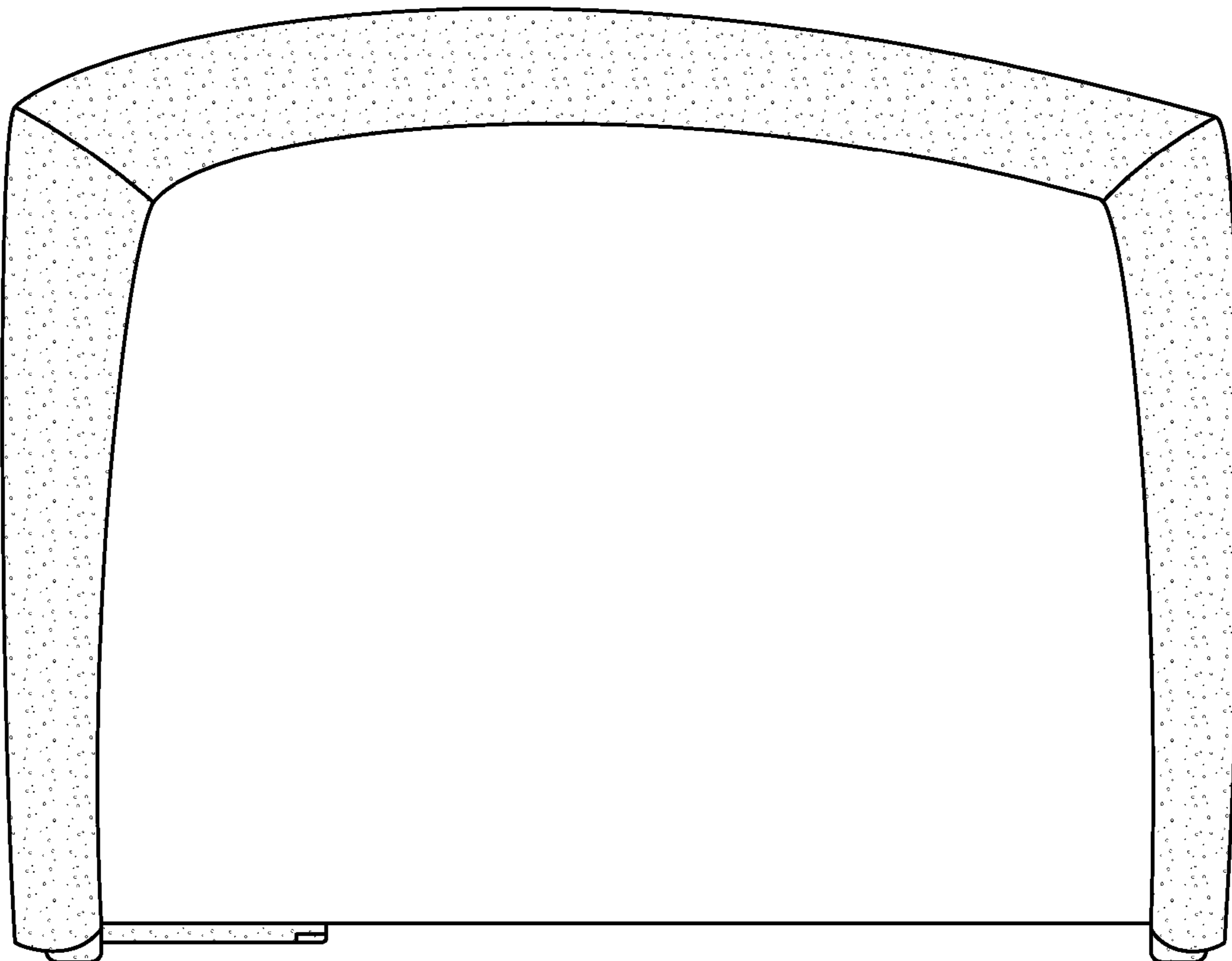


FIG. 56