



US00D629906S

(12) **United States Design Patent**
Hickey et al.

(10) **Patent No.:** **US D629,906 S**
(45) **Date of Patent:** **** Dec. 28, 2010**

(54) **INTERFACE FOR DIALYSIS MACHINE**

(75) Inventors: **Katherine M. Hickey**, Manchester, NH (US); **David W. McGill**, Bedford, NH (US); **Simon C. Helmore**, Manchester, NH (US); **James D. Dale**, Nashua, NH (US); **Jacob W. Scarpaci**, Manchester, NH (US)

5,989,423 A 11/1999 Kamen et al.
6,070,761 A 6/2000 Bloom et al.
6,210,361 B1 4/2001 Kamen et al.
6,416,293 B1 7/2002 Bouchard et al.
6,743,201 B1 6/2004 Donig et al.
7,410,475 B2 * 8/2008 Krensky et al. 604/29
D576,281 S * 9/2008 Reihanifam et al. D24/169
7,632,080 B2 12/2009 Tracey et al.
2006/0195064 A1 * 8/2006 Plahey et al. 604/151

(73) Assignee: **DEKA Products Limited Partnership**, Manchester, NH (US)

(Continued)

FOREIGN PATENT DOCUMENTS

(**) Term: **14 Years**

EP 0829266 A2 3/1996

(21) Appl. No.: **29/331,313**

(Continued)

(22) Filed: **Jan. 23, 2009**

OTHER PUBLICATIONS

(51) **LOC (9) Cl.** **24-01**
(52) **U.S. Cl.** **D24/169**
(58) **Field of Classification Search** D24/169,
D24/186, 138; D10/81; 210/252, 253, 321.65,
210/321.75, 645, 646; 435/286.5, 297.1,
435/297.2; 604/28, 29, 65, 131; D13/162,
D13/164, 184

From the Fresenius Medical Care web site: <http://www.fmc-ag.com/internet/fmc/fmcag/neu/fmcpub.nsf/Content/Photo+Gallery+Product+PD>.

Primary Examiner—T. Chase Nelson
Assistant Examiner—Anhdao Doan
(74) *Attorney, Agent, or Firm*—Wolf, Greenfield & Sacks, P.C.

See application file for complete search history.

(57) **CLAIM**

(56) **References Cited**

The ornamental design for an interface for dialysis machine, as shown and described.

U.S. PATENT DOCUMENTS

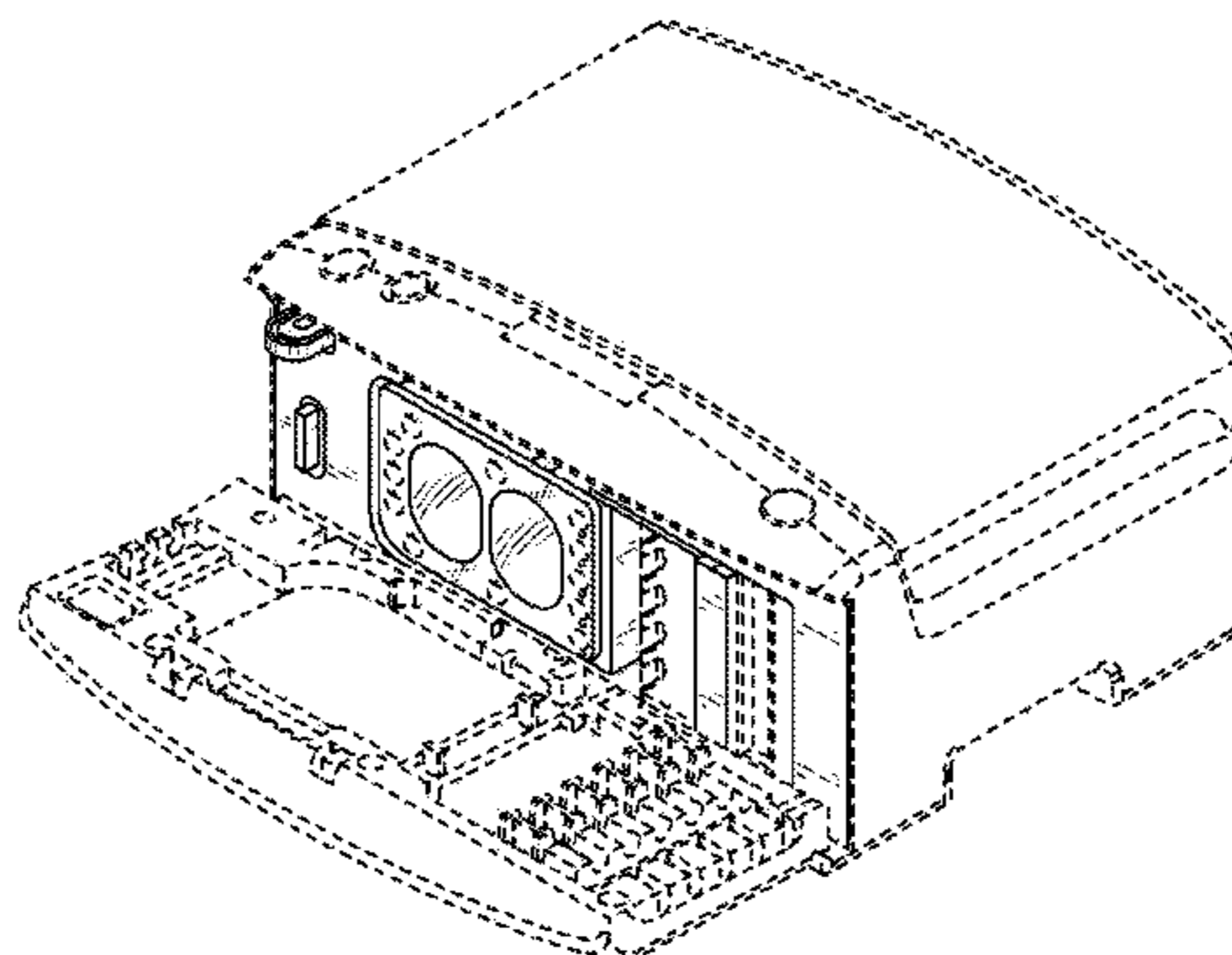
D327,260 S * 6/1992 Davis et al. D14/433
D331,799 S 12/1992 Kramer et al.
5,302,093 A 4/1994 Owens et al.
D350,822 S 9/1994 Lanigan
D350,823 S 9/1994 Lanigan
5,350,357 A 9/1994 Kamen et al.
D357,312 S 4/1995 Riquier et al.
5,421,823 A 6/1995 Kamen et al.
5,431,626 A 7/1995 Bryant et al.
5,438,510 A 8/1995 Bryant et al.
5,474,683 A 12/1995 Bryant et al.
5,540,808 A 7/1996 Vincent et al.
5,628,908 A 5/1997 Kamen et al.
5,634,896 A 6/1997 Bryant et al.
D398,051 S 9/1998 Lanigan
5,938,634 A 8/1999 Packard

DESCRIPTION

FIG. 1 is a right perspective view of the interface for dialysis machine;
FIG. 2 is a front side view thereof;
FIG. 3 is a left side view thereof;
FIG. 4 is a right side view thereof; and,
FIG. 5 is a top side view thereof.

The broken lines in the drawing views are included for the purpose of illustrating portions of the dialysis machine that form no part of the claimed design.

1 Claim, 5 Drawing Sheets



US D629,906 S

Page 2

U.S. PATENT DOCUMENTS

2006/0241550 A1 10/2006 Kamen et al.
2008/0015493 A1 1/2008 Childers et al.
2008/0125693 A1* 5/2008 Gavin et al. 604/29
2008/0208111 A1 8/2008 Kamen et al.
2008/0240929 A1 10/2008 Kamen et al.
2009/0008306 A1* 1/2009 Cicchello et al. 210/85

FOREIGN PATENT DOCUMENTS

EP 0815882 A2 1/1998
WO WO 2009/094182 A2 7/2009
WO WO 2009/094183 A1 7/2009
WO WO 2009/094185 A2 7/2009
WO WO 2009/094186 A2 7/2009
* cited by examiner

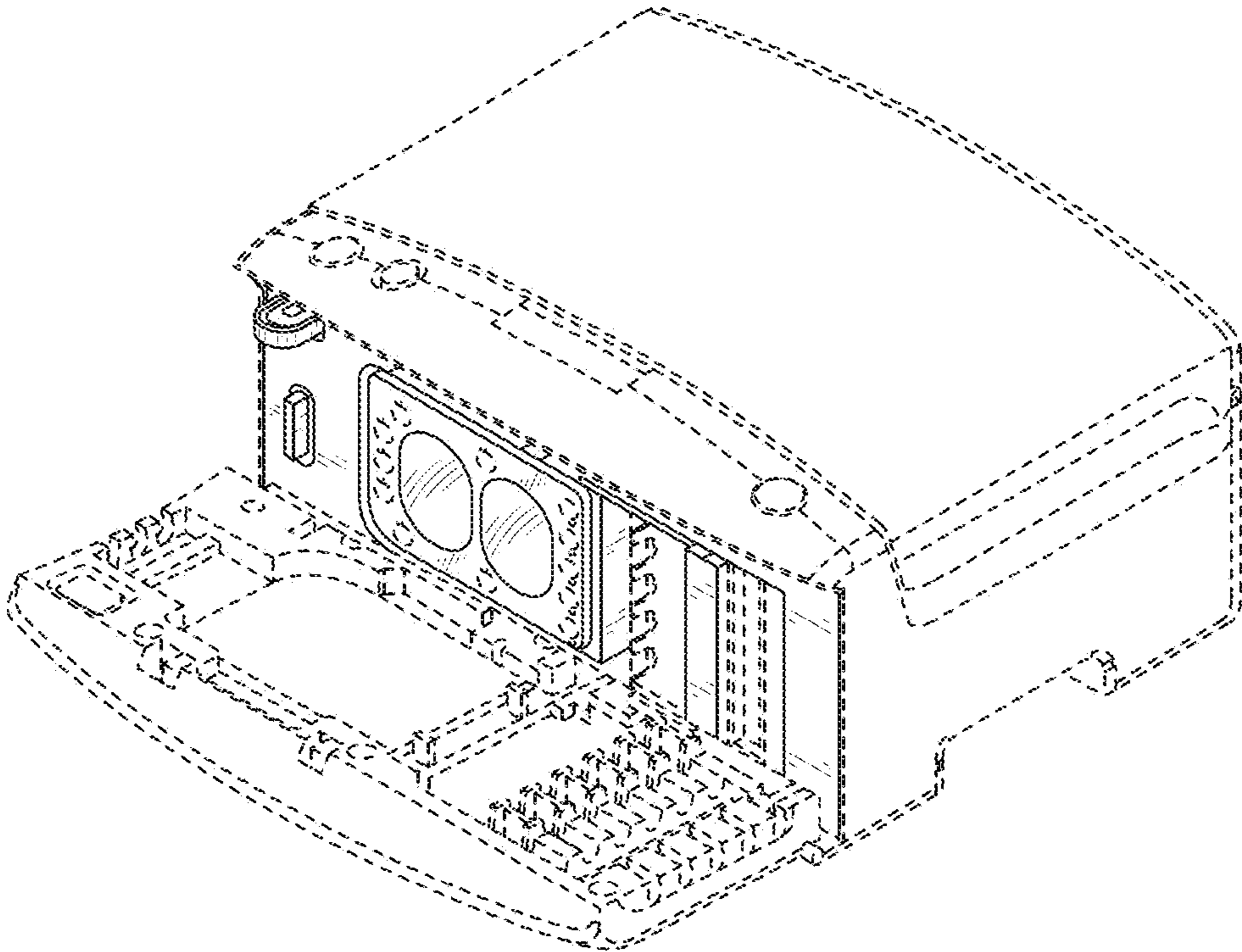


FIG. 1

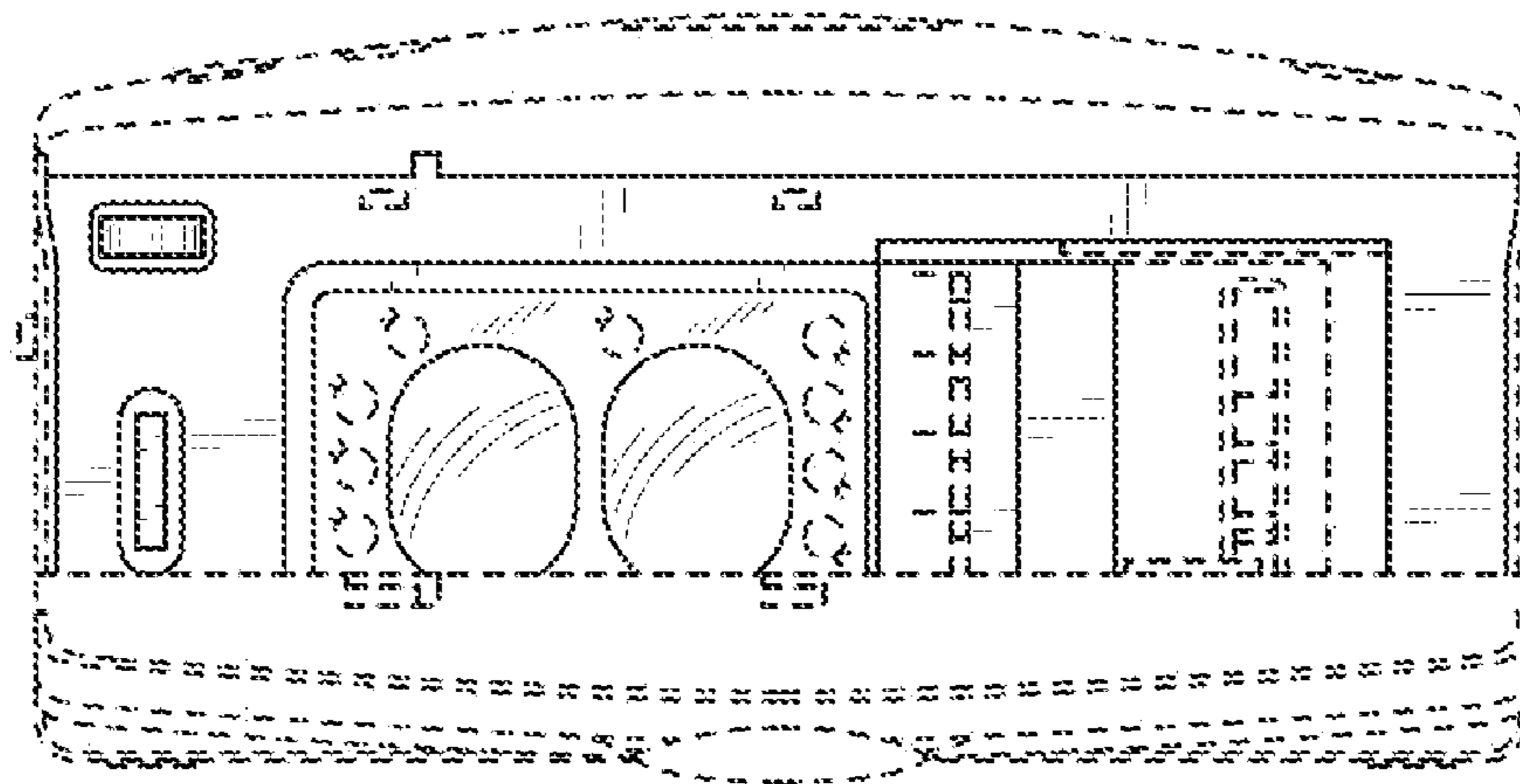


FIG. 2

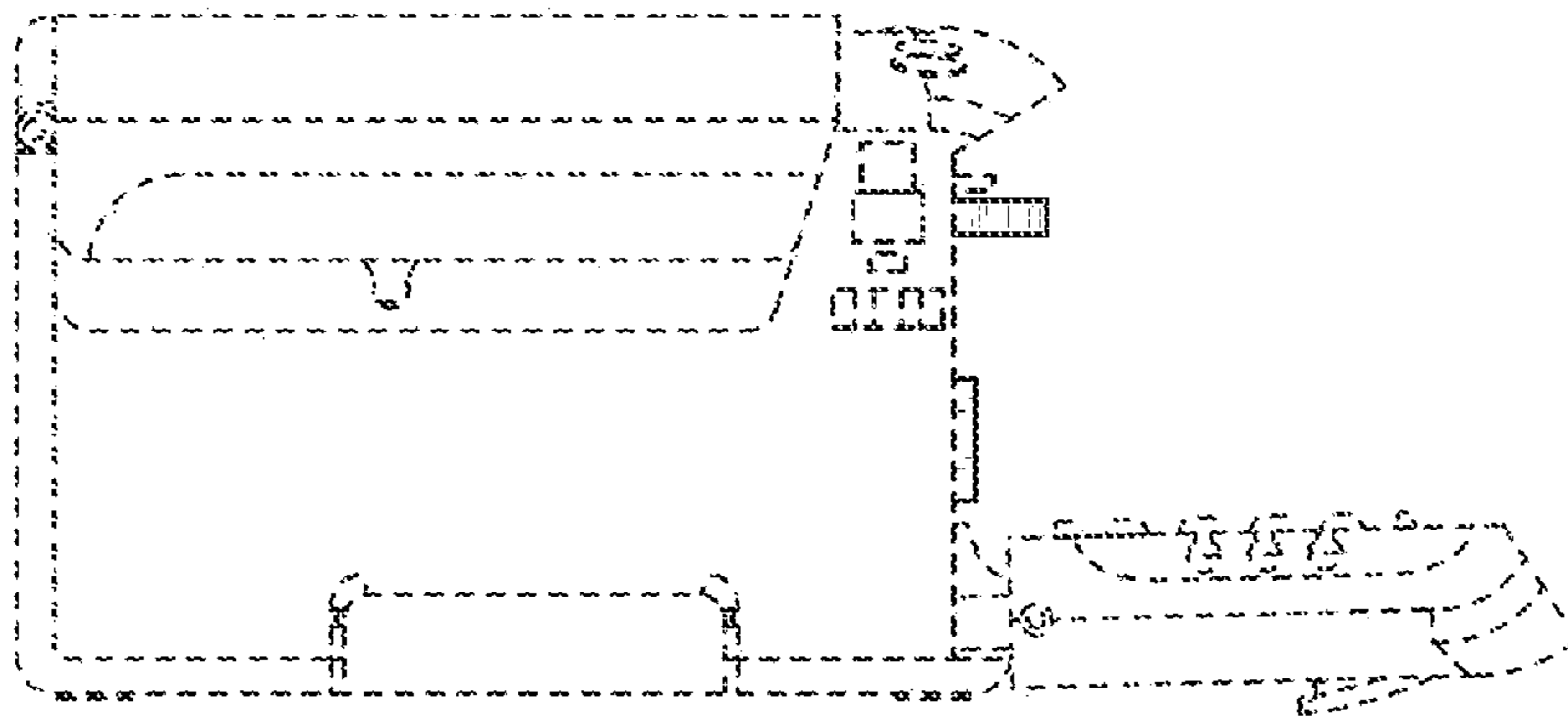


FIG. 3

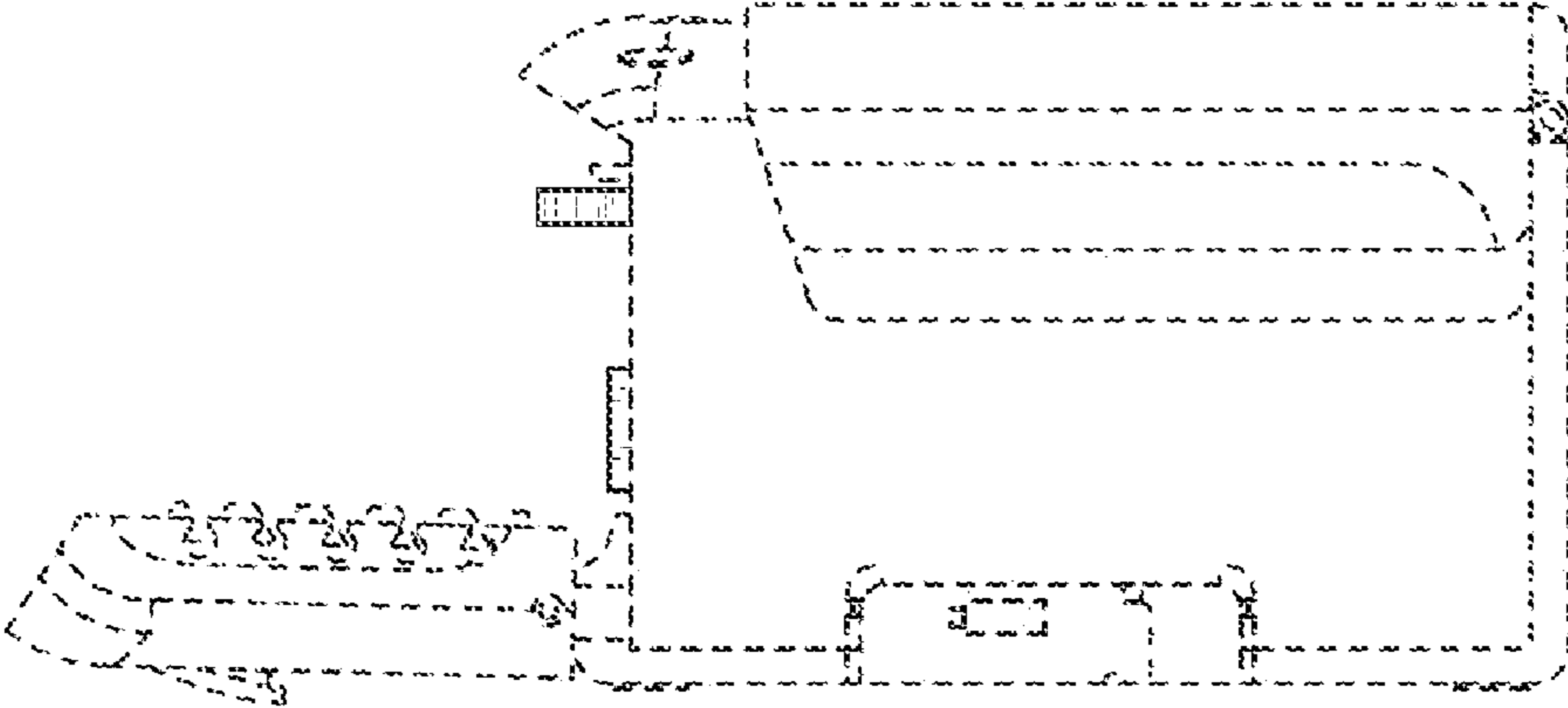


FIG. 4

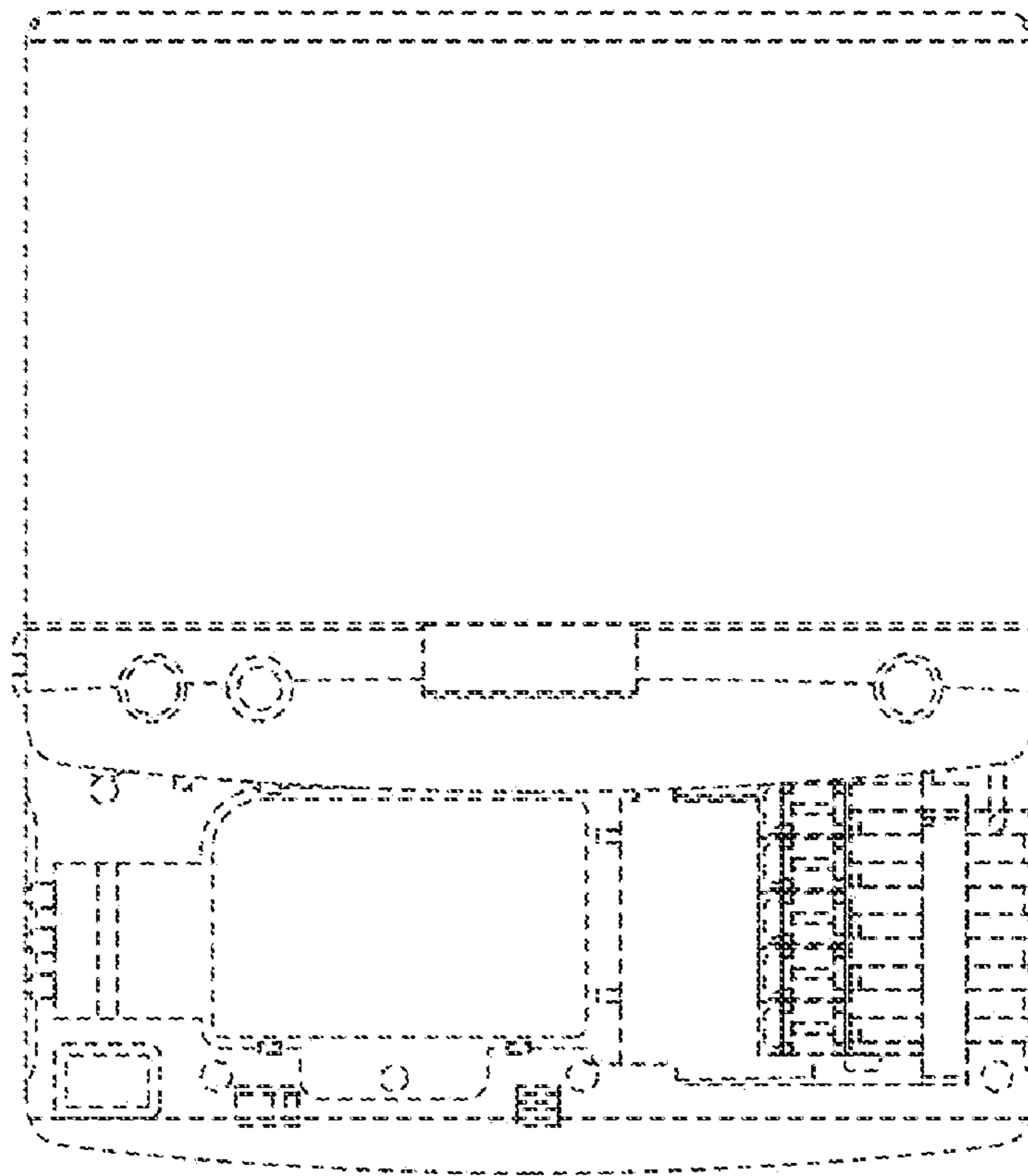


FIG. 5