



US00D629904S

(12) **United States Design Patent**
Horton

(10) **Patent No.:** **US D629,904 S**

(45) **Date of Patent:** **** Dec. 28, 2010**

(54) **SPINOUS PROCESS IMPLANT**

(76) **Inventor:** **Kenneth L. Horton**, 327 Shades Crest Rd., Birmingham, AL (US) 35226

(**) **Term:** **14 Years**

(21) **Appl. No.:** **29/338,171**

(22) **Filed:** **Jun. 5, 2009**

(51) **LOC (9) Cl.** **24-03**

(52) **U.S. Cl.** **D24/155**

(58) **Field of Classification Search** D24/155-157;
606/60, 61, 73, 95, 213, 246, 248, 249; 623/23.61,
623/23.56, 247, 213, 11.11, 16.14, 20.23,
623/20.33, 33, 41, 17.11-17.16; D21/460;
D8/382

See application file for complete search history.

(56) **References Cited**

U.S. PATENT DOCUMENTS

D181,779 S *	12/1957	Buralli	D21/460
D274,359 S *	6/1984	Christensen et al.	D24/155
4,501,269 A	2/1985	Bagby		
D283,301 S *	4/1986	Spitz	D8/382
4,581,962 A	4/1986	Marbourg		
5,015,247 A	5/1991	Michelson		
5,171,278 A *	12/1992	Pisharodi	623/17.16
5,306,307 A	4/1994	Senter et al.		
5,458,638 A *	10/1995	Kuslich et al.	623/17.11
5,484,437 A	1/1996	Michelson		
5,489,307 A	2/1996	Kuslich et al.		
5,593,409 A	1/1997	Michelson		
5,741,253 A	4/1998	Michelson		
5,741,261 A	4/1998	Moskovitz et al.		
5,860,973 A	1/1999	Michelson		
5,954,635 A	9/1999	Foley et al.		
D416,189 S *	11/1999	Bollman	D8/382
6,042,582 A	3/2000	Ray		
6,080,155 A	6/2000	Michelson		
6,210,412 B1	4/2001	Michelson		
6,371,988 B1	4/2002	Pafford et al.		
6,391,058 B1 *	5/2002	Kuslich et al.	623/17.11
6,485,518 B1	11/2002	Cornwall et al.		
6,520,907 B1	2/2003	Foley et al.		

6,540,747 B1	4/2003	Marino
6,562,046 B2	5/2003	Sasso
6,579,319 B2	6/2003	Goble et al.
6,902,578 B1	6/2005	Anderson et al.
6,923,810 B1	8/2005	Michelson

(Continued)

FOREIGN PATENT DOCUMENTS

WO 00/22998 A1 4/2000

(Continued)

OTHER PUBLICATIONS

Mathews, "Percutaneous Interbody Fusions", Orthopedic Clinics of North America, Oct. 1, 1998, pp. 647-653, vol. 29, Issue 4, published by Elsevier, Inc.

(Continued)

Primary Examiner—Charles A Rademaker
(74) *Attorney, Agent, or Firm*—Kenneth M. Bush; Gerald M. Walsh; Bush Intellectual Property Law

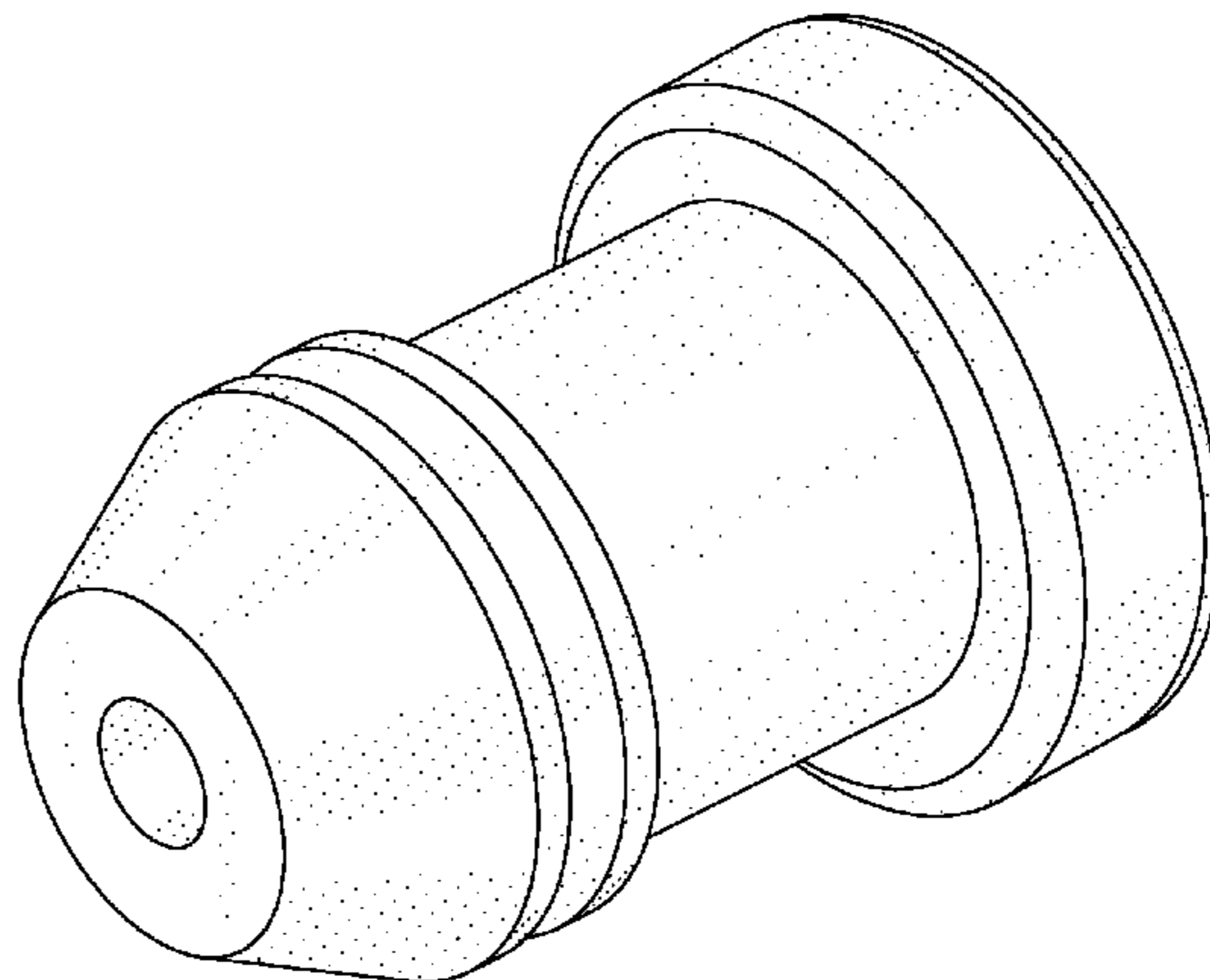
(57) **CLAIM**

I claim the ornamental design for a spinous process implant, as shown and described.

DESCRIPTION

FIG. 1 is a front right perspective view of the spinous process implant showing my new design;
FIG. 2 is a front elevation view thereof;
FIG. 3 is a rear elevation view thereof; and,
FIG. 4 is a side elevation view thereof.

1 Claim, 2 Drawing Sheets



US D629,904 S

Page 2

U.S. PATENT DOCUMENTS

6,923,811 B1 8/2005 Carl et al.
6,942,698 B1 9/2005 Jackson
7,223,269 B2 5/2007 Chappuis
D563,212 S * 3/2008 Campbell D8/382
D574,495 S 8/2008 Petersen
D574,957 S 8/2008 Petersen
D581,538 S * 11/2008 Horton D24/155
7,452,369 B2 11/2008 Barry
D595,855 S * 7/2009 Petersen D24/155
D622,581 S * 8/2010 Caggiano D8/382
2004/0087948 A1 5/2004 Suddaby
2004/0143268 A1 7/2004 Falahee
2004/0215344 A1 10/2004 Hochschuler et al.
2005/0015150 A1 1/2005 Lee
2005/0065516 A1 3/2005 Jahng
2005/0149030 A1 7/2005 Serhan et al.
2006/0036264 A1 2/2006 Selover et al.
2006/0064099 A1 3/2006 Pavlov et al.
2006/0111779 A1 5/2006 Petersen
2006/0111782 A1 5/2006 Petersen

2007/0250166 A1 10/2007 McKay
2008/0255667 A1 10/2008 Horton
2009/0131986 A1 5/2009 Lee et al.

FOREIGN PATENT DOCUMENTS

WO 2007/120903 A2 10/2007

OTHER PUBLICATIONS

Polly, Jr. et al., "Surgical Treatment for the Painful Motion Segment", *Spine*, 2005, pp. S44-S51, vol. 30, No. 16S, published by Lippincott Williams & Wilkins, Inc.

Powers, et al., "Minimally Invasions Fusion and Fixation Techniques", *Neurosurgery Clinics of North America*, Oct. 2006, pp. 447-489, vol. 17, Issue 4, published by Elsevier, Inc.

Seldomridge, et al., "Minimally Invasions Spine Surgery", *The American Journal of Orthopedics*, May 2005, pp. 224-232.

Stein, et al., "Percutaneous Facet Joint Fusion: Preliminary Experience", *Journal of Vascular and Interventional Radiology*, Jan.-Feb. 1993, pp. 69-74, vol. 4, No. 1.

* cited by examiner

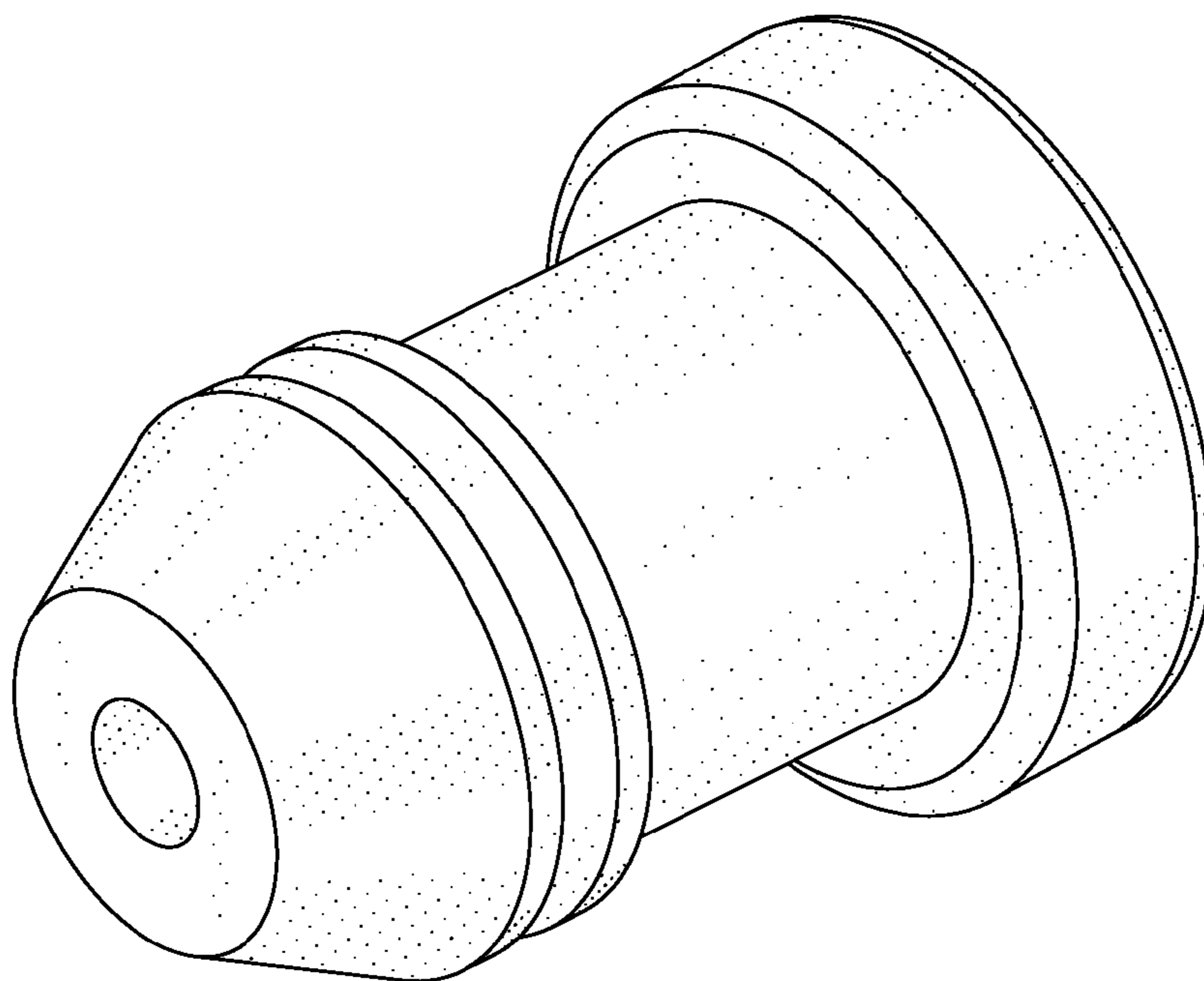


FIG. 1

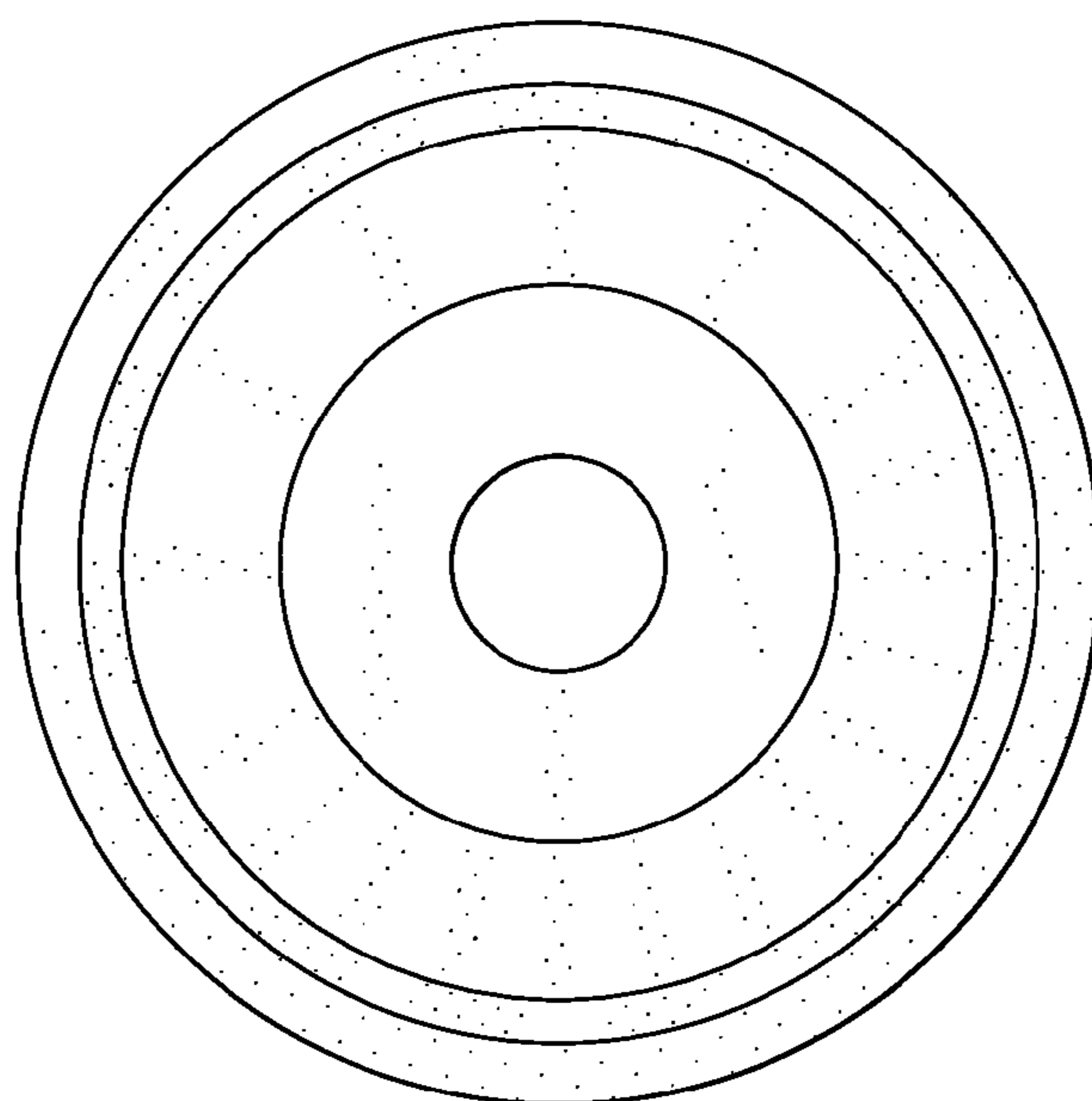


FIG. 2

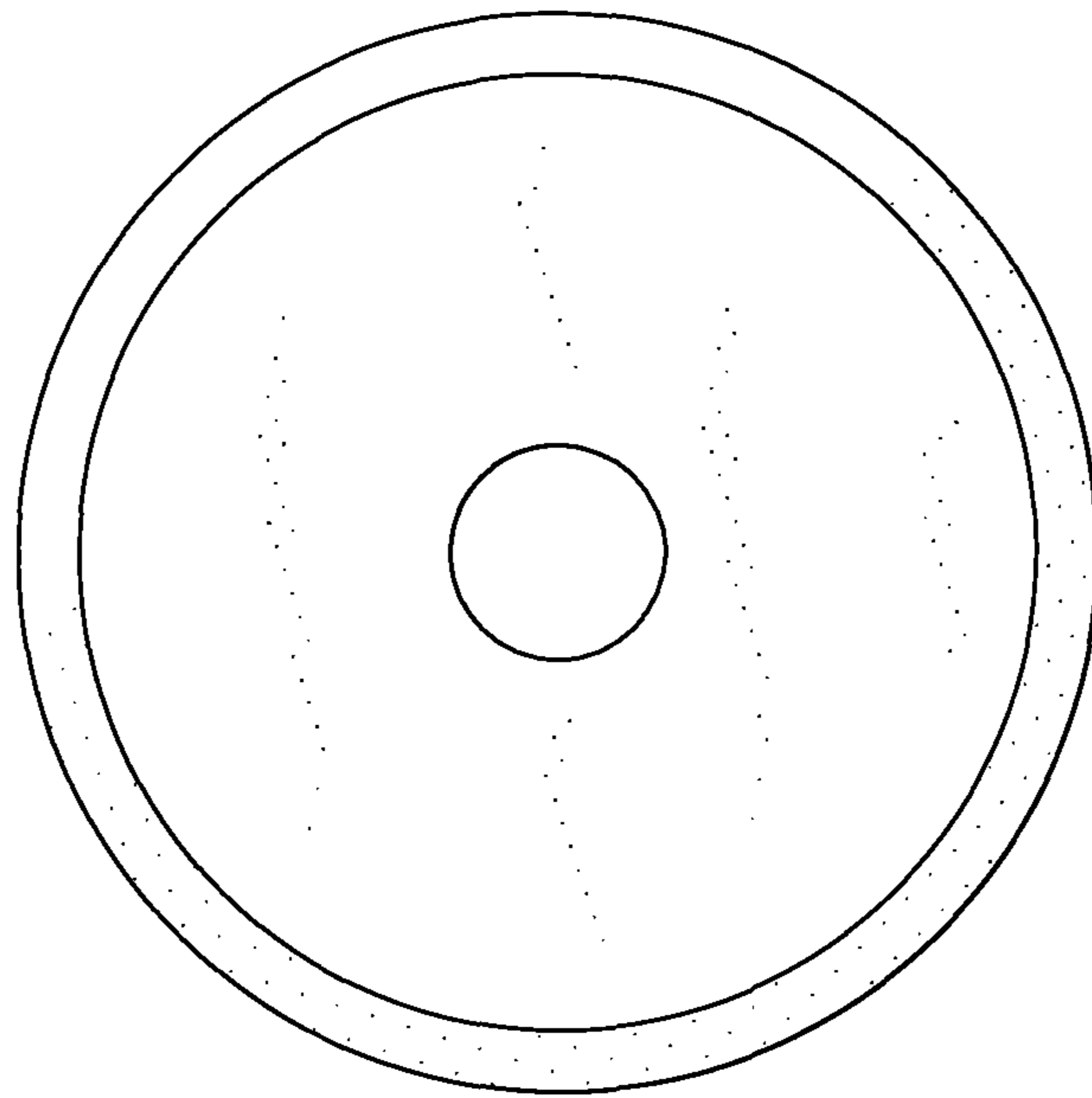


FIG. 3

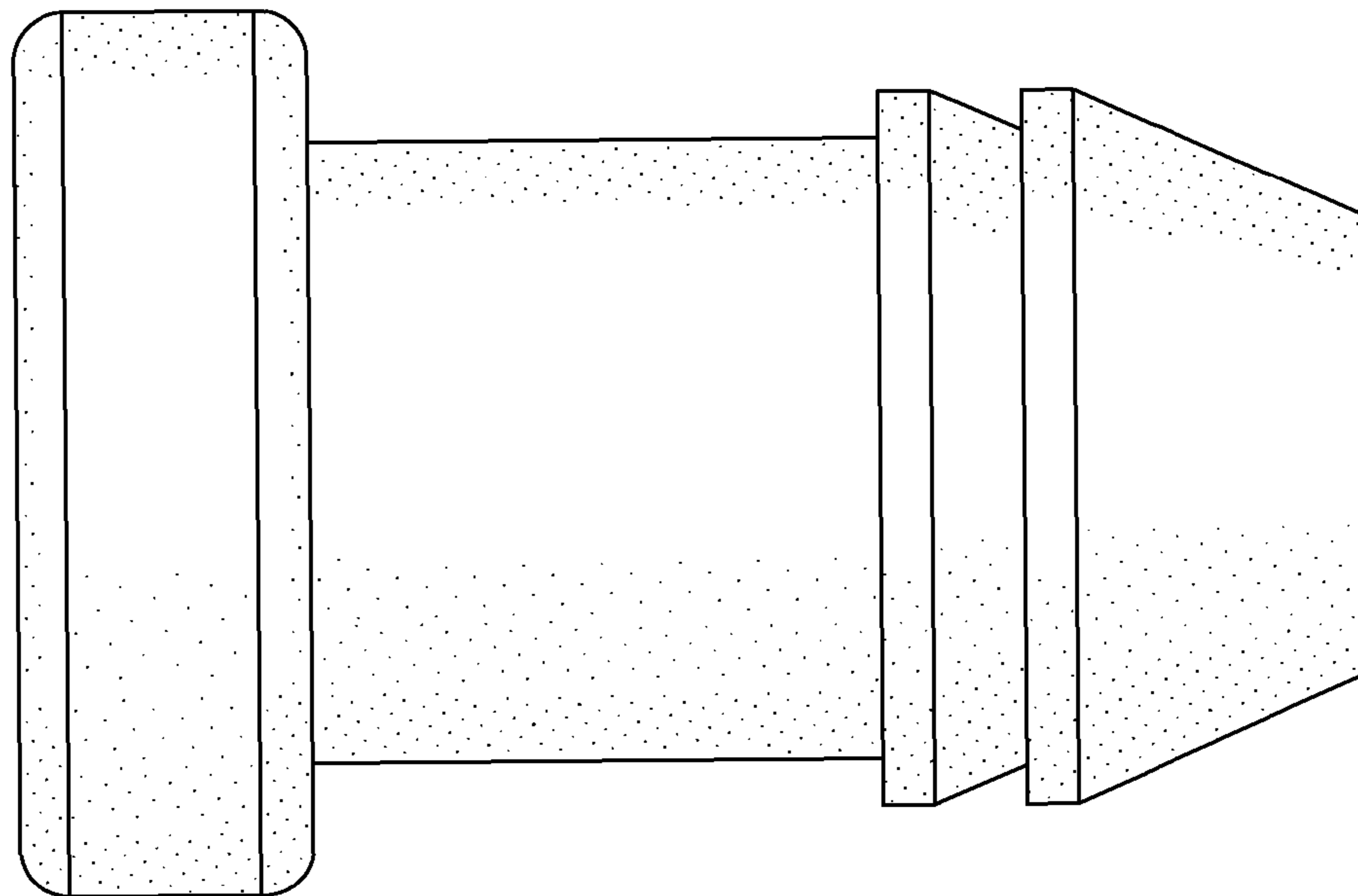


FIG. 4