



US00D629902S

(12) **United States Design Patent**
Palmer et al.

(10) **Patent No.:** **US D629,902 S**

(45) **Date of Patent:** **** Dec. 28, 2010**

(54) **SOFT-TISSUE DISSECTION TIP FOR A SURGICAL INSTRUMENT**

(75) Inventors: **Andrew K. Palmer**, Eastham, MA (US);
Jeffrey A. Farris, Berne, IN (US); **Dale Dellacqua**, Bloomington, IN (US)

(73) Assignee: **Del Palma Orthopedics, LLC**,
Columbia City, IN (US)

(**) Term: **14 Years**

(21) Appl. No.: **29/361,245**

(22) Filed: **May 7, 2010**

(51) **LOC (9) Cl.** **24-02**

(52) **U.S. Cl.** **D24/146; D24/144**

(58) **Field of Classification Search** D24/144,
D24/146-147, 133, 108; 600/190, 203, 167,
600/171-172, 129; 606/108, 129, 159, 184-185,
606/190-191, 139, 1

See application file for complete search history.

(56) **References Cited**

U.S. PATENT DOCUMENTS

4,901,717	A *	2/1990	Moore et al.	606/1
D364,456	S *	11/1995	Solnit et al.	D24/112
5,658,300	A *	8/1997	Bito et al.	606/139
5,902,315	A *	5/1999	DuBois	606/190
6,030,406	A *	2/2000	Davis et al.	606/190
6,106,539	A *	8/2000	Fortier	606/185
6,193,653	B1 *	2/2001	Evans et al.	606/190
6,254,555	B1 *	7/2001	Sevier et al.	601/135
D453,829	S *	2/2002	McMahon et al.	D24/108
D497,669	S *	10/2004	Blanco	D24/146
D511,002	S *	10/2005	Easley	D24/144
6,960,164	B2 *	11/2005	O'Heeron	606/185

D517,694	S *	3/2006	Wilshire et al.	D24/146
D581,050	S *	11/2008	Cottier	D24/133
7,686,838	B2 *	3/2010	Wolf et al.	606/325
2004/0243157	A1 *	12/2004	Connor et al.	606/159
2008/0255600	A1 *	10/2008	Braam et al.	606/190
2010/0069936	A1 *	3/2010	Palmer et al.	606/167
2010/0094315	A1 *	4/2010	Beardsley et al.	606/143

* cited by examiner

Primary Examiner—Ian Simmons

Assistant Examiner—Wan Laymon

(74) *Attorney, Agent, or Firm*—John W. Boger; Heslin
Rothenberg Farley & Mesiti P.C.

(57) **CLAIM**

The ornamental design for a soft-tissue dissection tip for a surgical instrument, as shown and described.

DESCRIPTION

FIG. 1 is a top perspective view of a soft tissue dissection tip for a surgical instrument;

FIG. 2 is a bottom perspective view shown in FIG. 1;

FIG. 3 is a top view shown in FIG. 1;

FIG. 4 is a bottom view shown in FIG. 1;

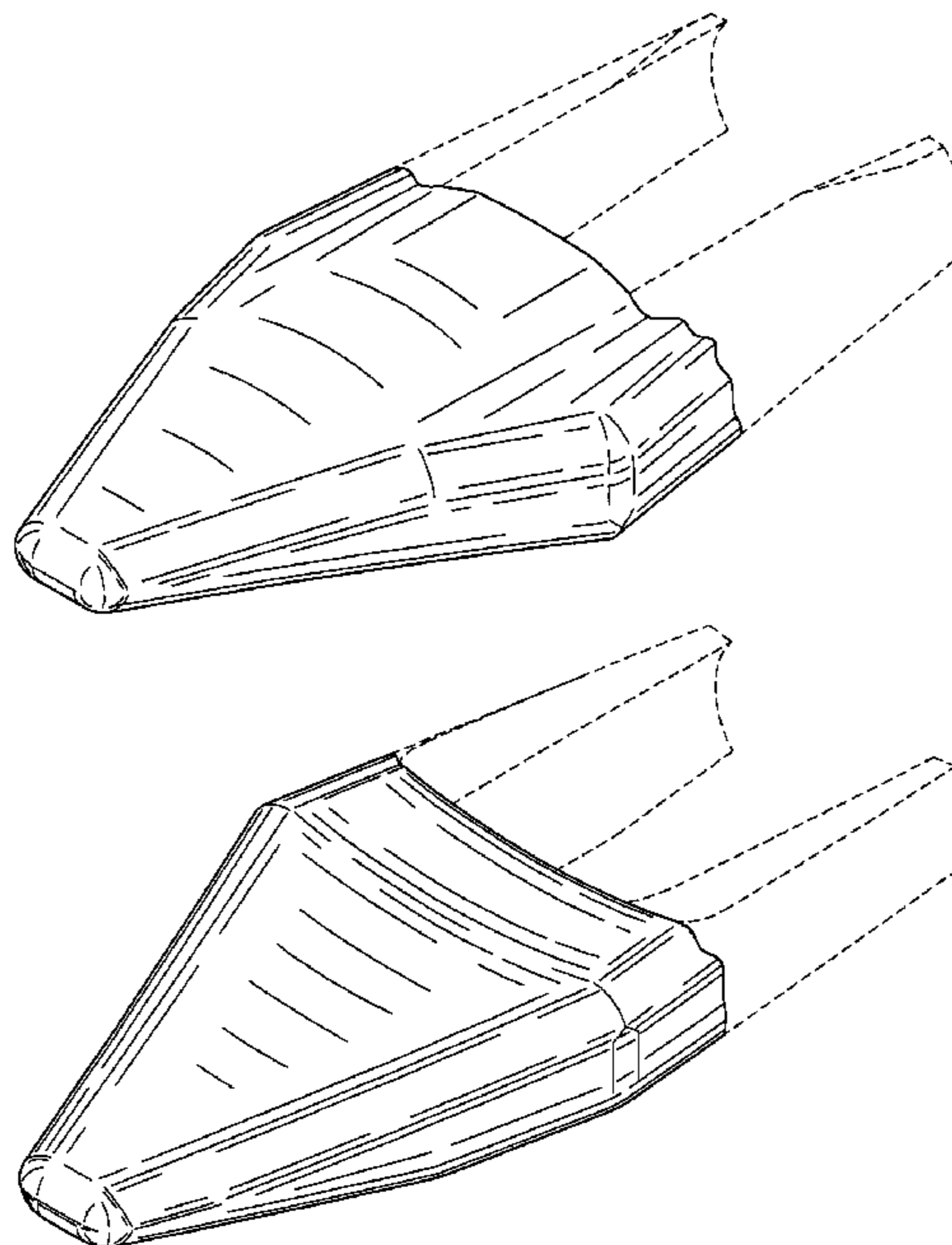
FIG. 5 is a left side elevational view shown in FIG. 1, where the right side elevational view is a mirror image thereof;

FIG. 6 is a front elevational view shown in FIG. 1; and,

FIG. 7 is a rear elevational view shown in FIG. 1.

The broken lines immediately adjacent to the claimed areas represent the bounds of the claimed design while all other broken lines are directed to the environment and are shown for illustrative purposes only; the broken lines form no part of the claimed design.

1 Claim, 3 Drawing Sheets



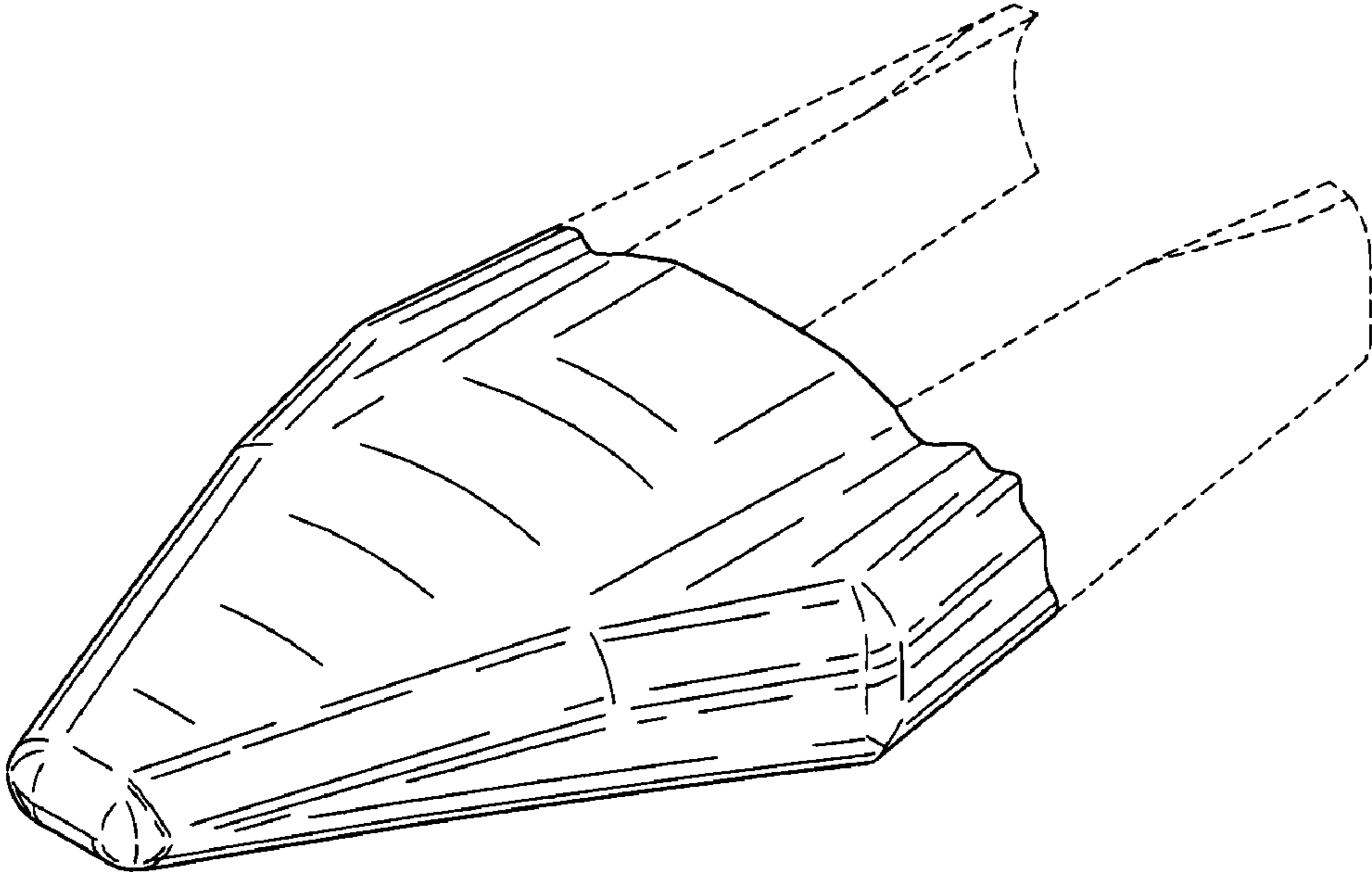


FIG. 1

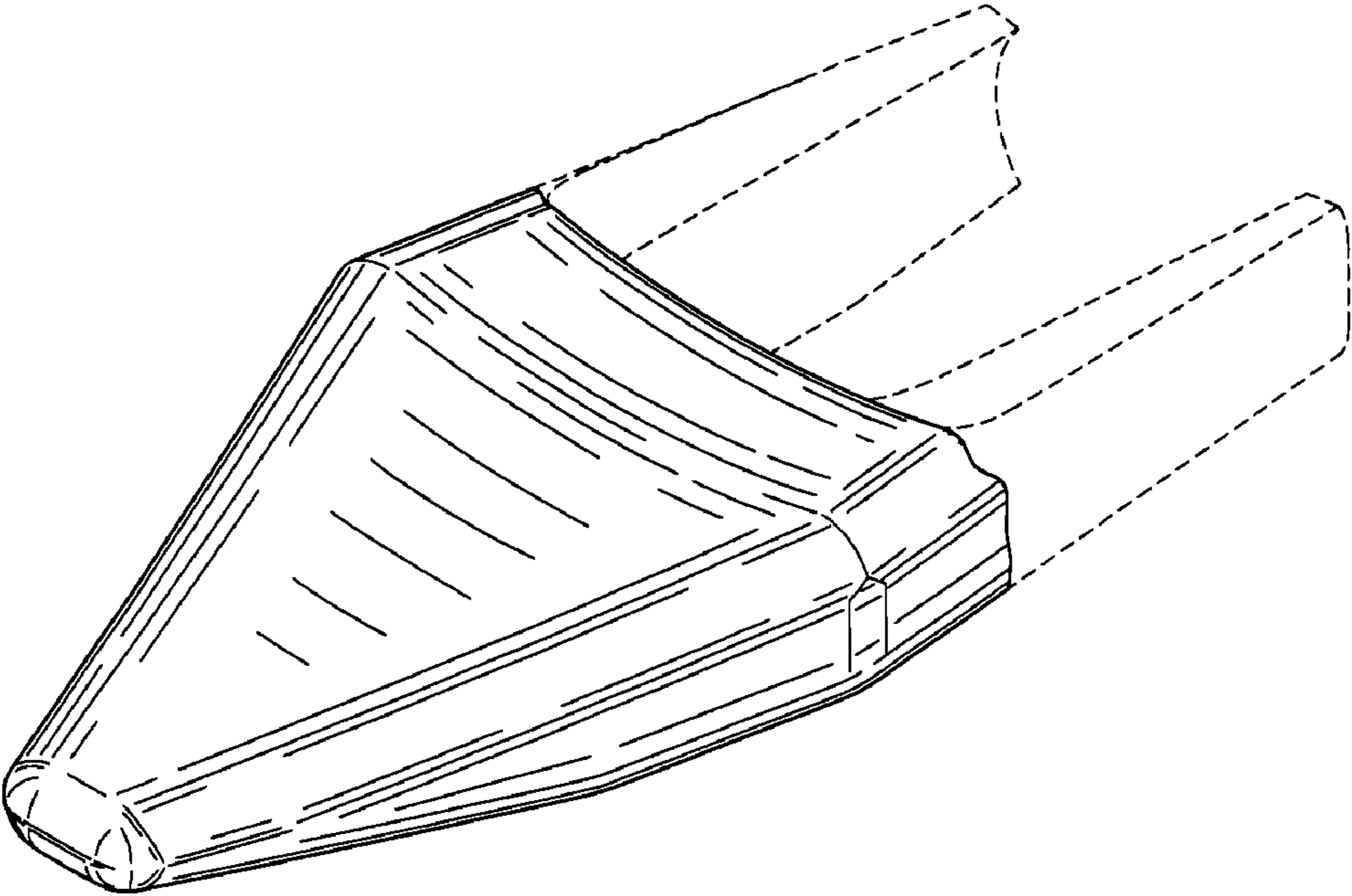


FIG. 2

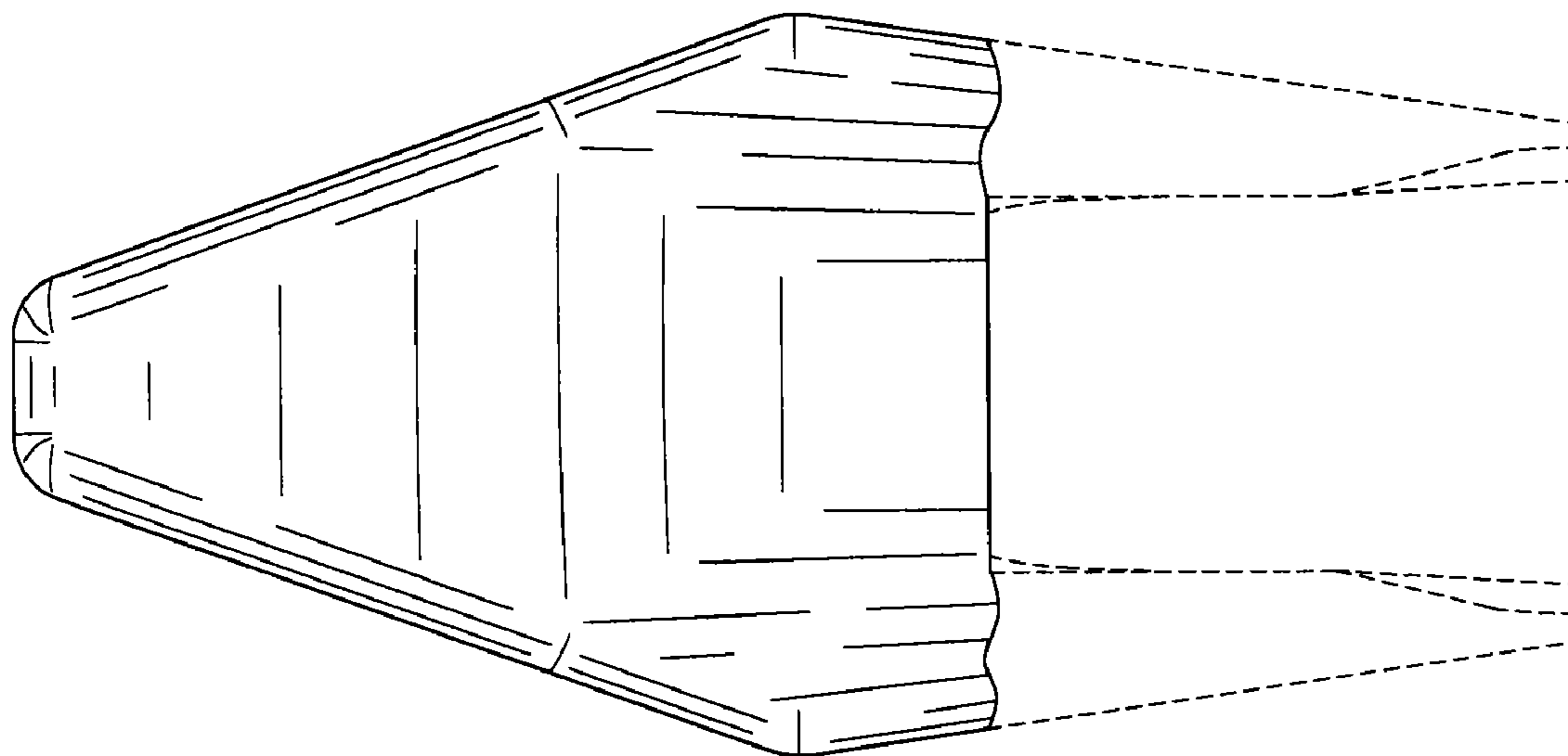


FIG. 3

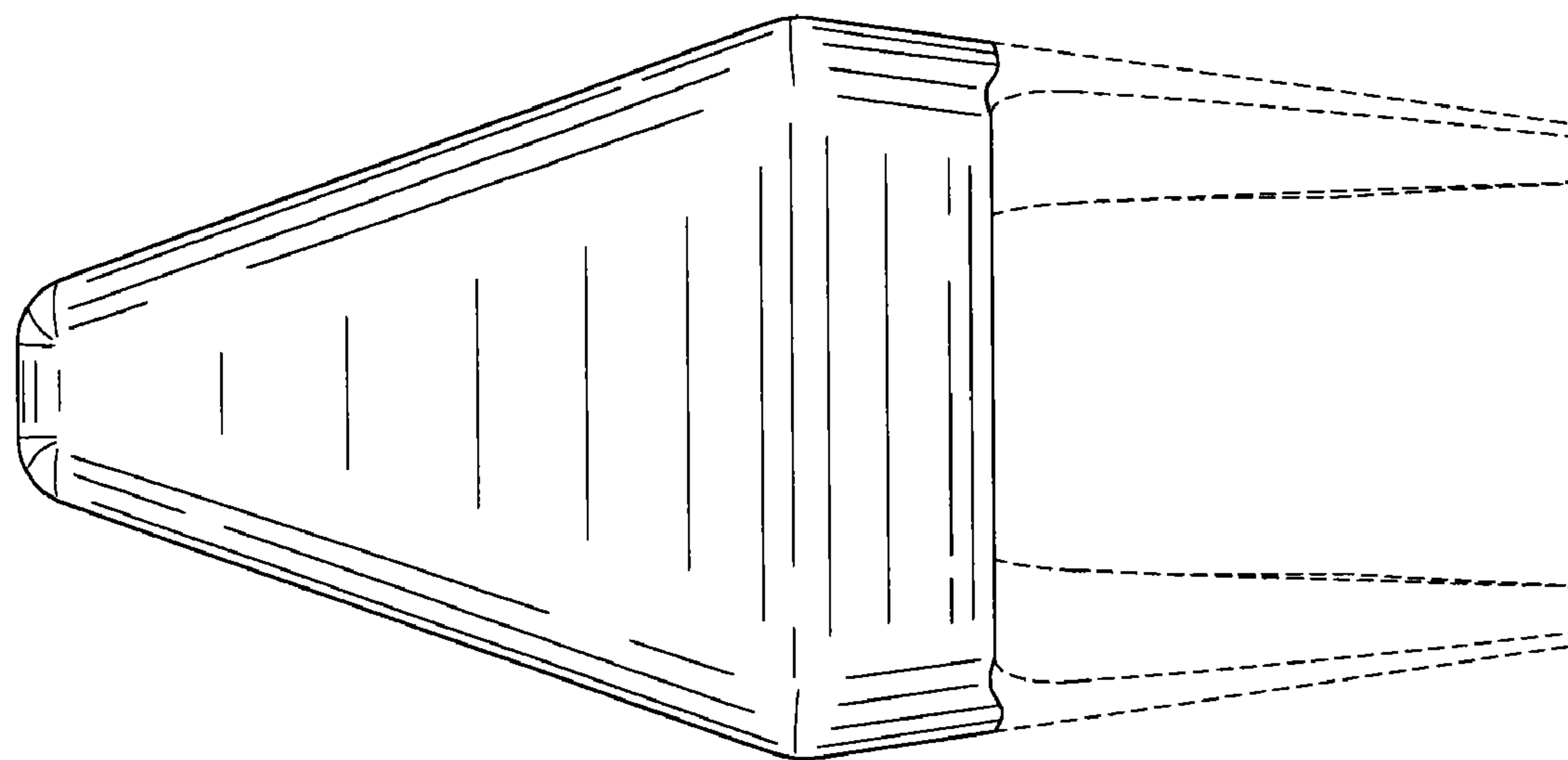


FIG. 4

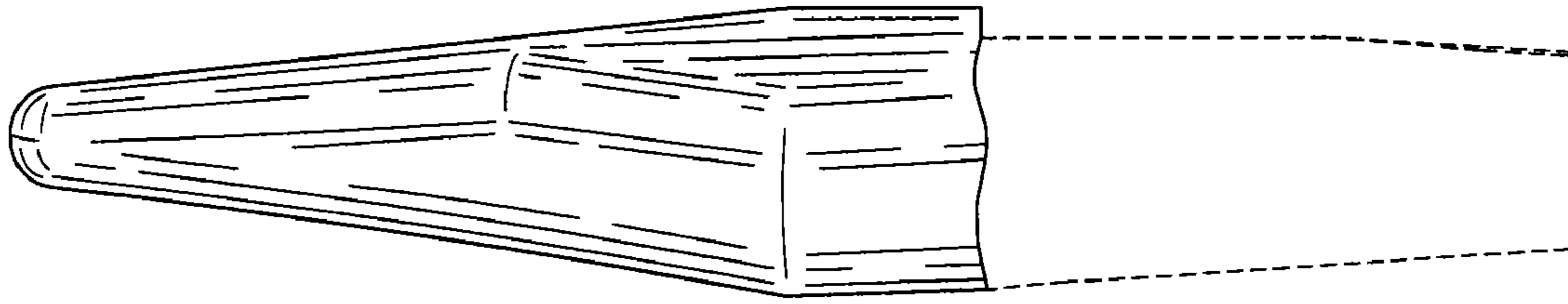


FIG. 5

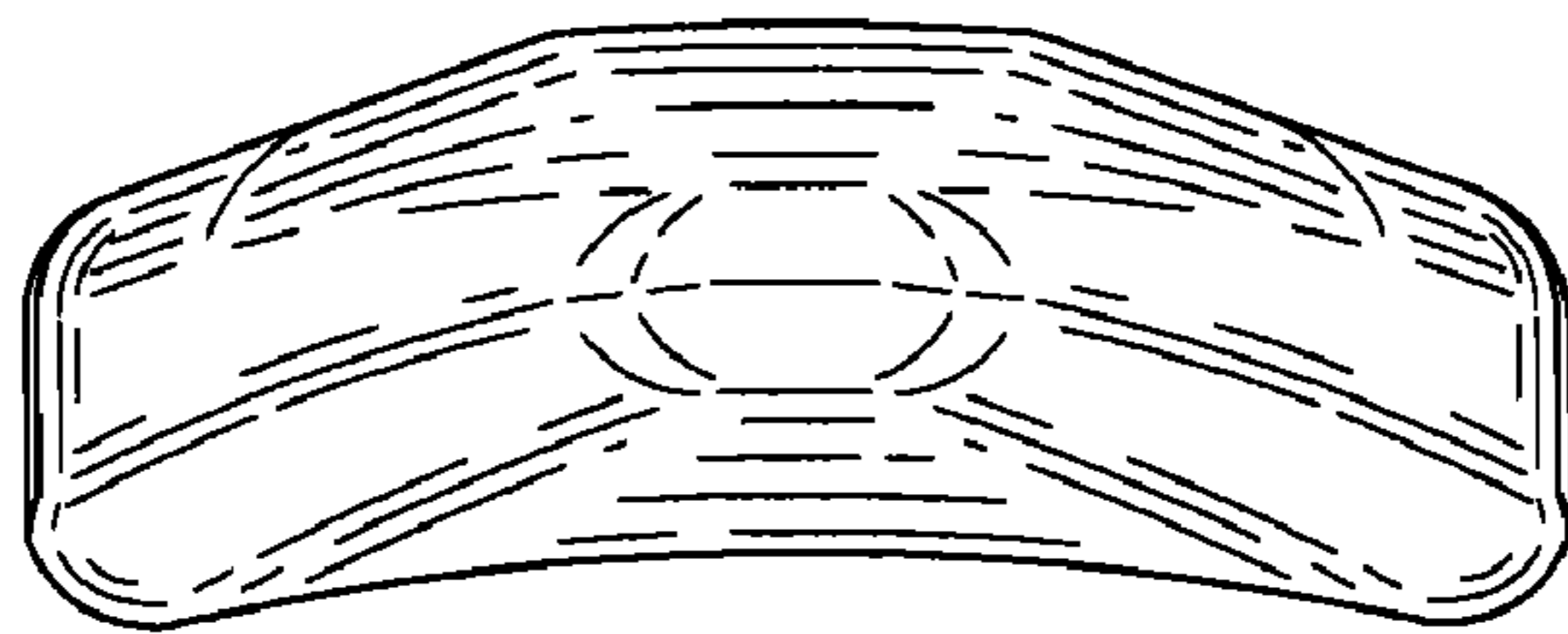


FIG. 6

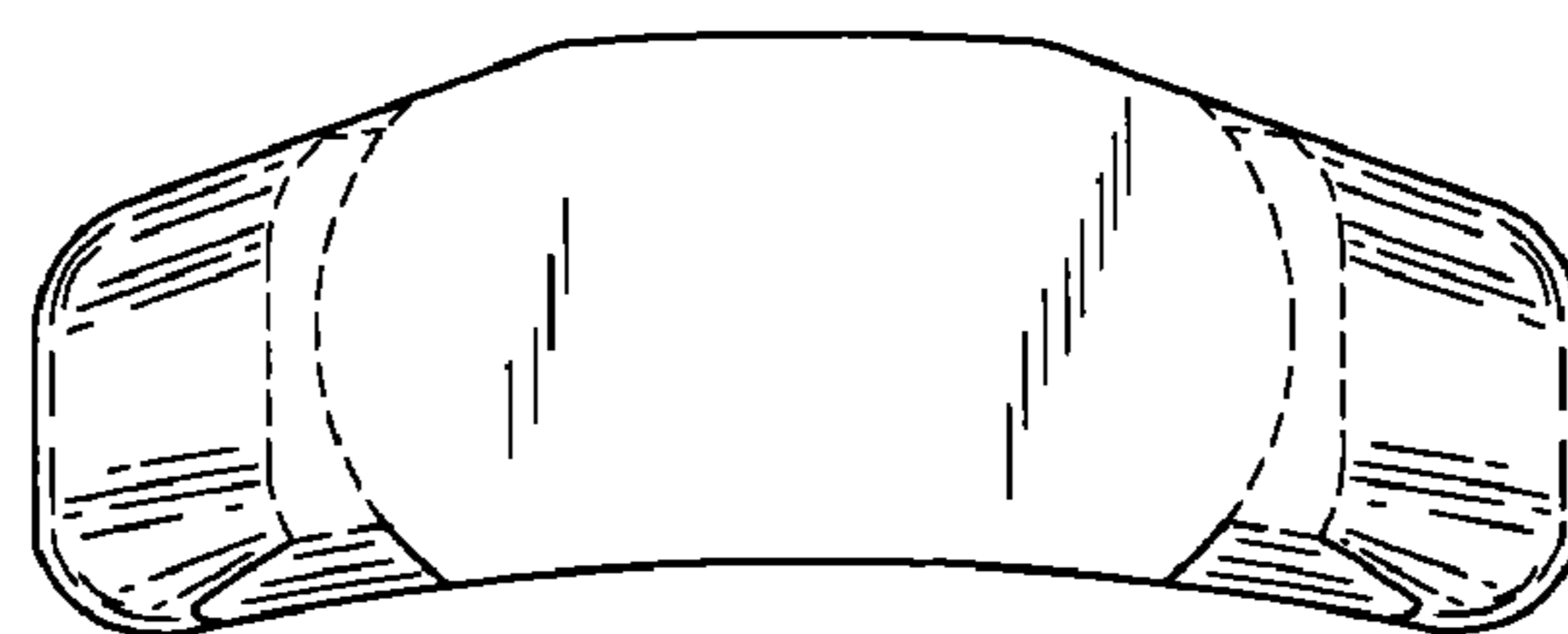


FIG. 7