



US00D629901S

(12) **United States Design Patent**  
**Palmer et al.**

(10) **Patent No.:**         **US D629,901 S**  
(45) **Date of Patent:**   **\*\* Dec. 28, 2010**

(54) **TENDON SHEATH DISSECTION TIP FOR A SURGICAL INSTRUMENT**

D517,694 S \* 3/2006 Wilshire et al. .... D24/146

(Continued)

(75) Inventors: **Andrew K. Palmer**, Eastham, MA (US);  
**Jeffrey A. Farris**, Berne, IN (US); **Dale Dellacqua**,  
Bloomington, IN (US)

*Primary Examiner*—Ian Simmons  
*Assistant Examiner*—Wan Laymon  
(74) *Attorney, Agent, or Firm*—John W. Boger; Heslin  
Rothenberg Farley & Mesiti P.C.

(73) Assignee: **Del Palma Orthopedics, LLC**,  
Columbia City, IN (US)

(57)                                 **CLAIM**

(\*\*) Term:         **14 Years**

The ornamental design for a tendon sheath dissection tip for a surgical instrument, as shown and described.

(21) Appl. No.: **29/361,243**

**DESCRIPTION**

(22) Filed:         **May 7, 2010**

(51) **LOC (9) Cl.** ..... **24-02**

FIG. 1 is a top perspective view of a tendon sheath dissection tip for a surgical instrument, comprising a new design;

(52) **U.S. Cl.** ..... **D24/146; D24/144**

FIG. 2 is a bottom perspective view shown in FIG. 1;

(58) **Field of Classification Search** ..... D24/144,  
D24/146–147, 133, 108; 600/190, 203, 167,  
600/171–172, 129; 606/108, 129, 159, 184–185,  
606/190–191, 139, 1

FIG. 3 is a top view shown in FIG. 1;

See application file for complete search history.

FIG. 4 is a cross-section of a center cutting blade as seen in the direction of line 4—4 of FIG. 3;

FIG. 5 is a cross-section of the center cutting blade as seen in the direction of line 5—5 of FIG. 3;

(56)                                 **References Cited**

FIG. 6 is a bottom view shown in FIG. 1;

**U.S. PATENT DOCUMENTS**

FIG. 7 is a left side elevational view shown in FIG. 1;

- 4,901,717 A \* 2/1990 Moore et al. .... 606/1
- D364,456 S \* 11/1995 Solnit et al. .... D24/112
- 5,658,300 A \* 8/1997 Bito et al. .... 606/139
- 5,902,315 A \* 5/1999 DuBois ..... 606/190
- 6,030,406 A \* 2/2000 Davis et al. .... 606/190
- 6,106,539 A \* 8/2000 Fortier ..... 606/185
- 6,193,653 B1 \* 2/2001 Evans et al. .... 606/190
- 6,254,555 B1 \* 7/2001 Sevier et al. .... 601/135
- D453,829 S \* 2/2002 McMahon et al. .... D24/108
- D497,669 S \* 10/2004 Blanco ..... D24/146
- D511,002 S \* 10/2005 Easley ..... D24/144
- 6,960,164 B2 \* 11/2005 O’Heeron ..... 606/185

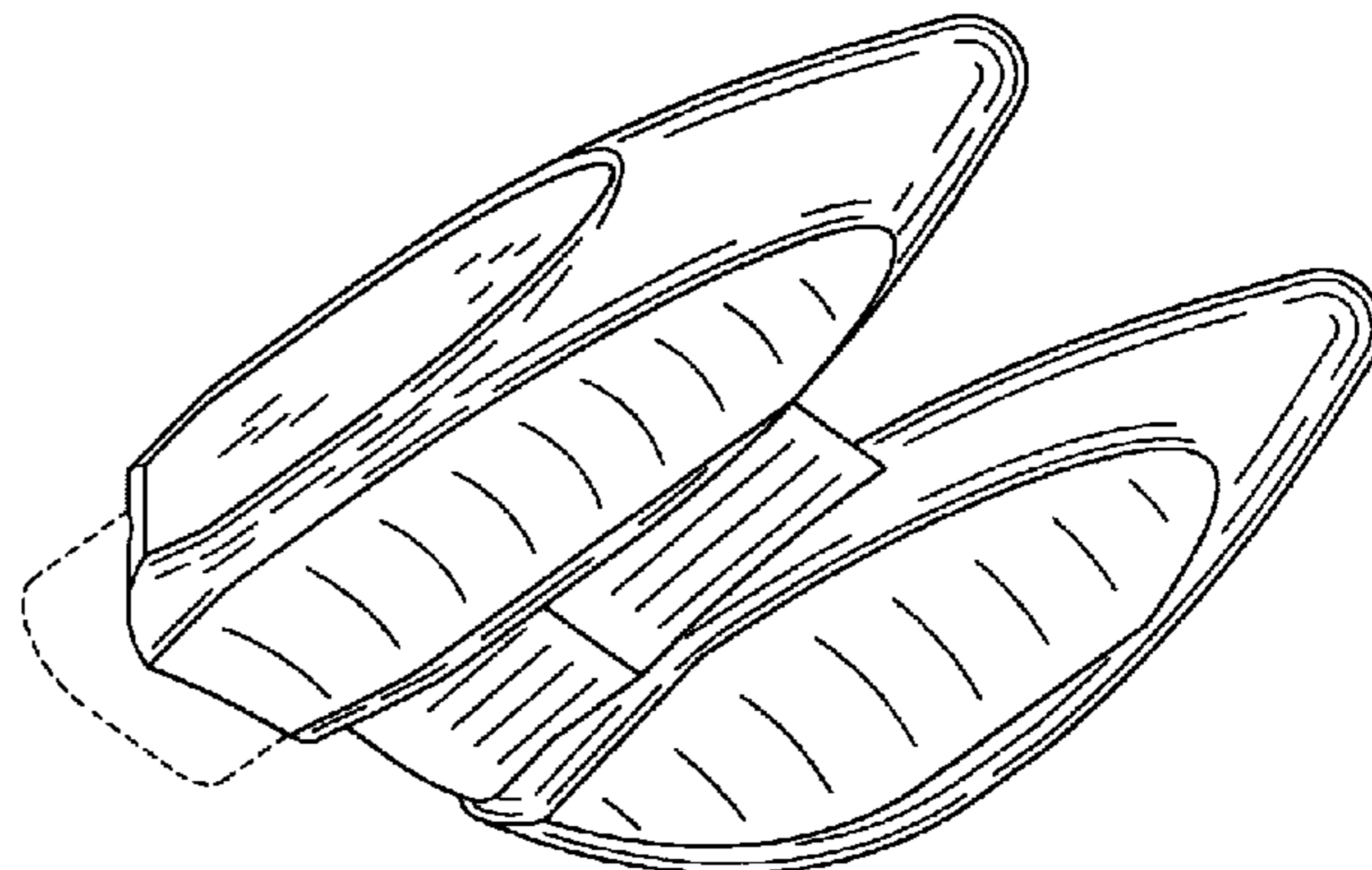
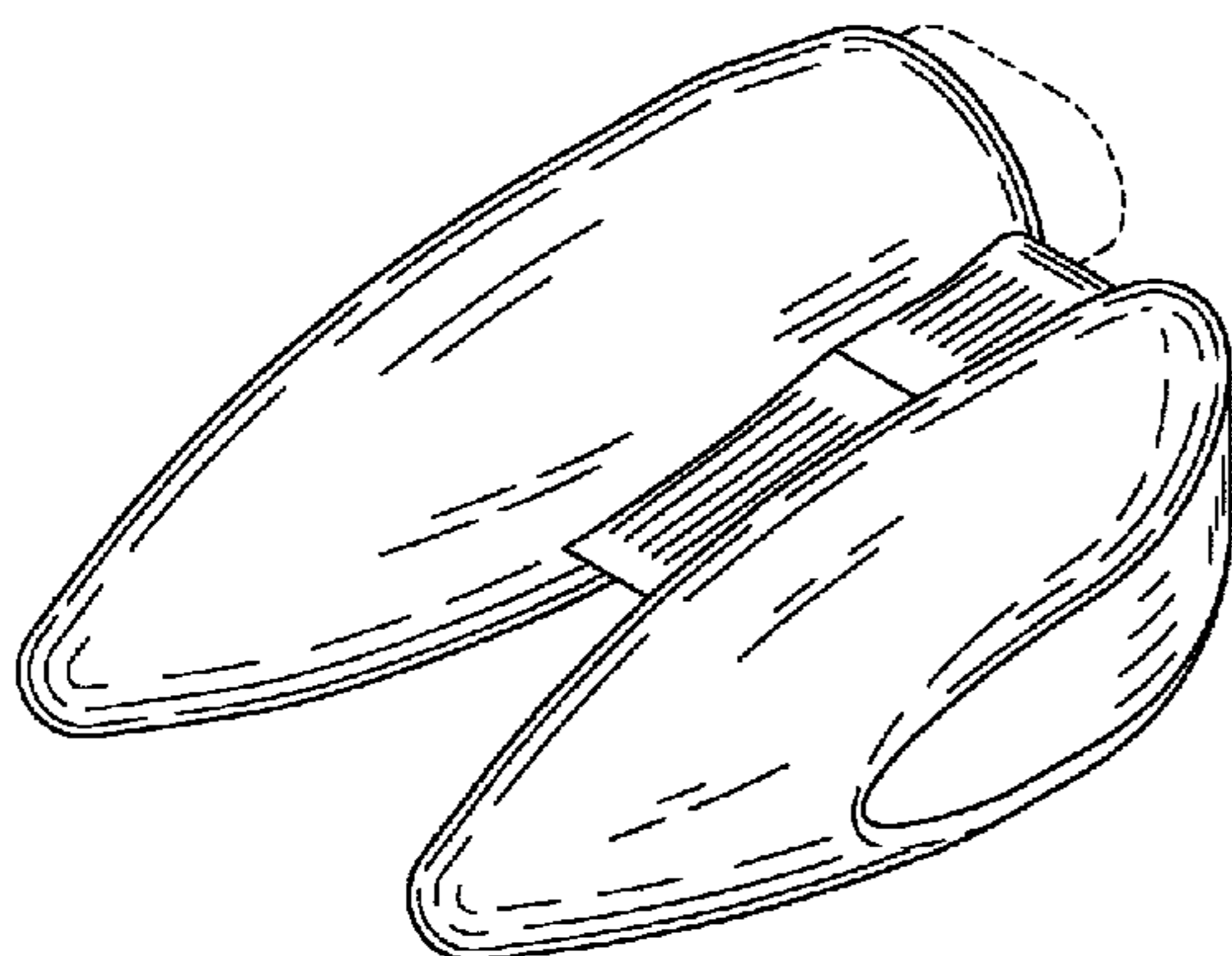
FIG. 8 is a right side elevational view shown in FIG. 1;

FIG. 9 is a front elevational view shown in FIG. 1; and,

FIG. 10 is a rear elevational view shown in FIG. 1.

The broken lines immediately adjacent the claimed areas represent the bounds of the claimed design while all other broken lines are directed to the environment and are for illustrative purposes only; the broken lines form no part of the claimed design.

**1 Claim, 4 Drawing Sheets**



# US D629,901 S

Page 2

---

U.S. PATENT DOCUMENTS			
2008/0255600	A1*	10/2008	Braam et al. .... 606/190
2010/0069936	A1*	3/2010	Palmer et al. .... 606/167
2010/0094315	A1*	4/2010	Beardsley et al. .... 606/143
D581,050	S *	11/2008	Cottier ..... D24/133
7,686,838	B2*	3/2010	Wolf et al. .... 606/325
2004/0243157	A1*	12/2004	Connor et al. .... 606/159

\* cited by examiner

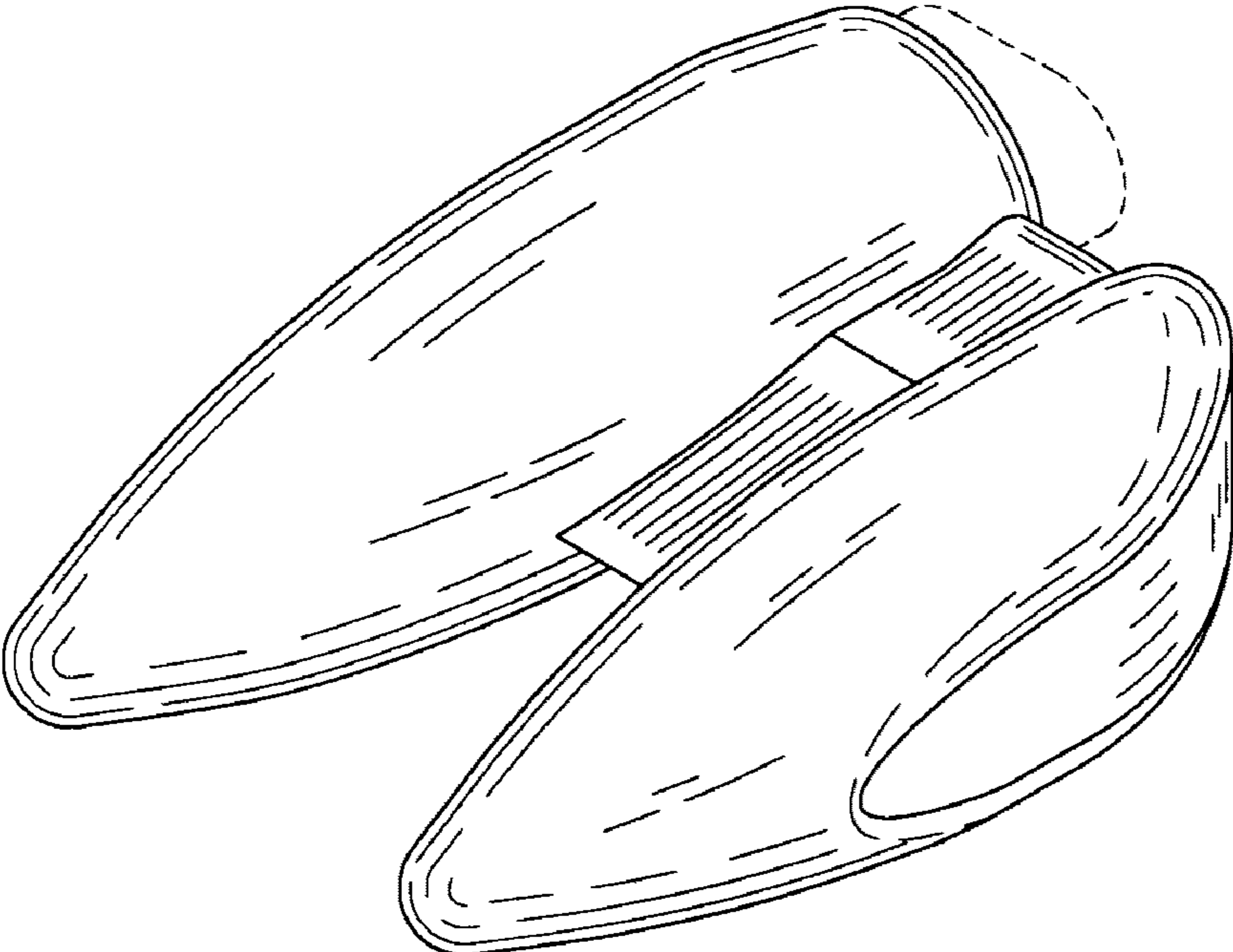


FIG. 1

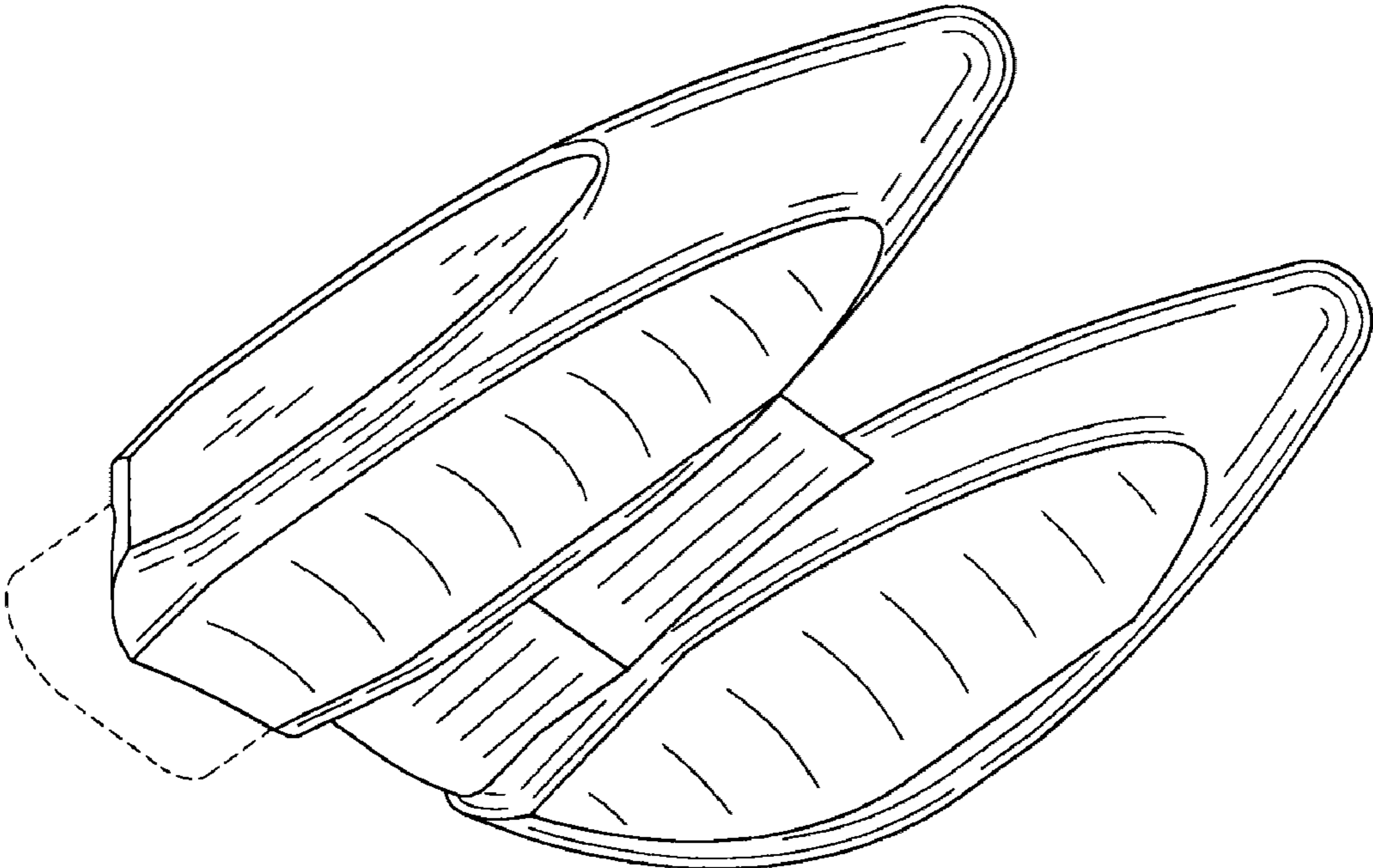


FIG. 2

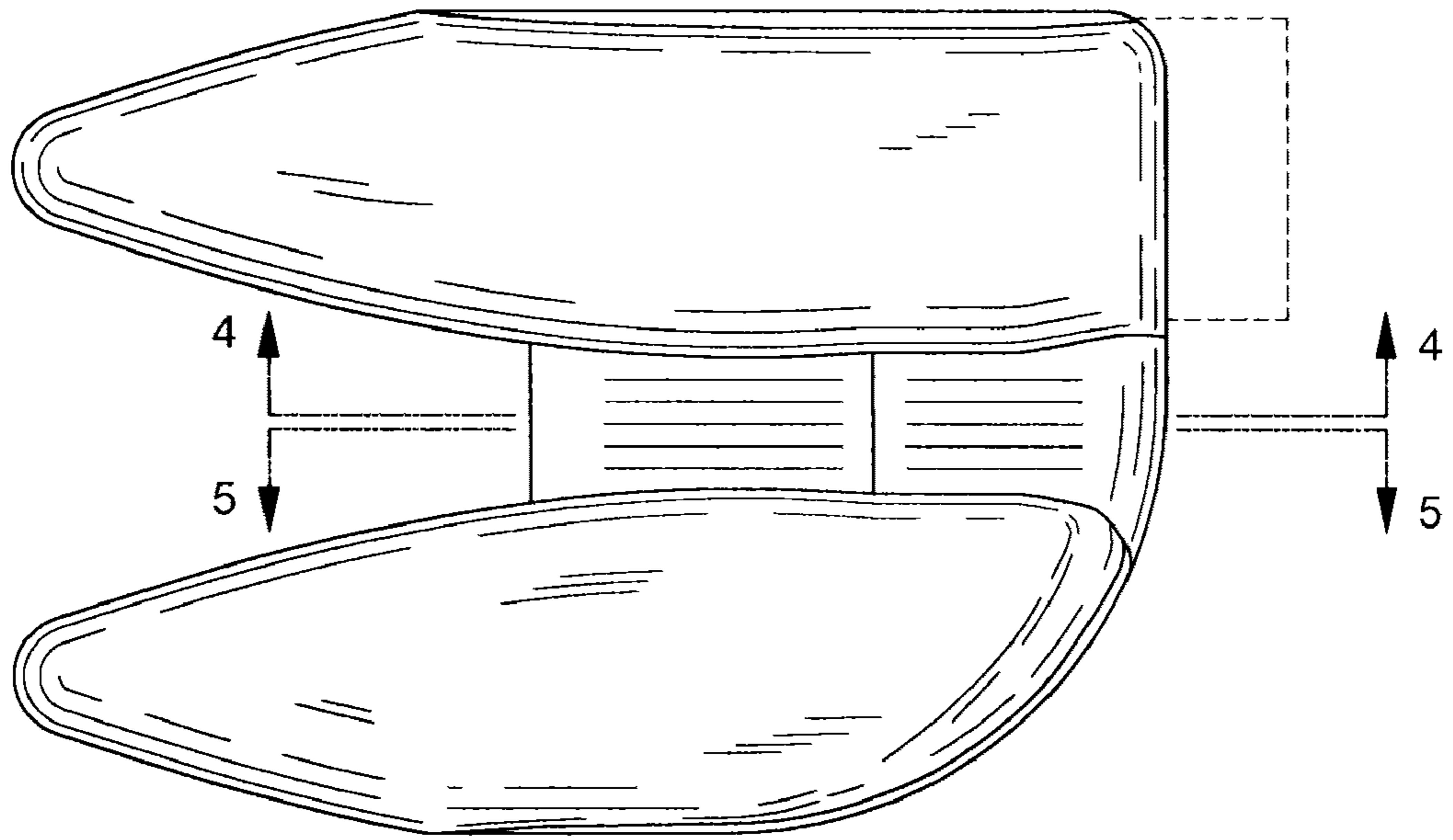


FIG. 3

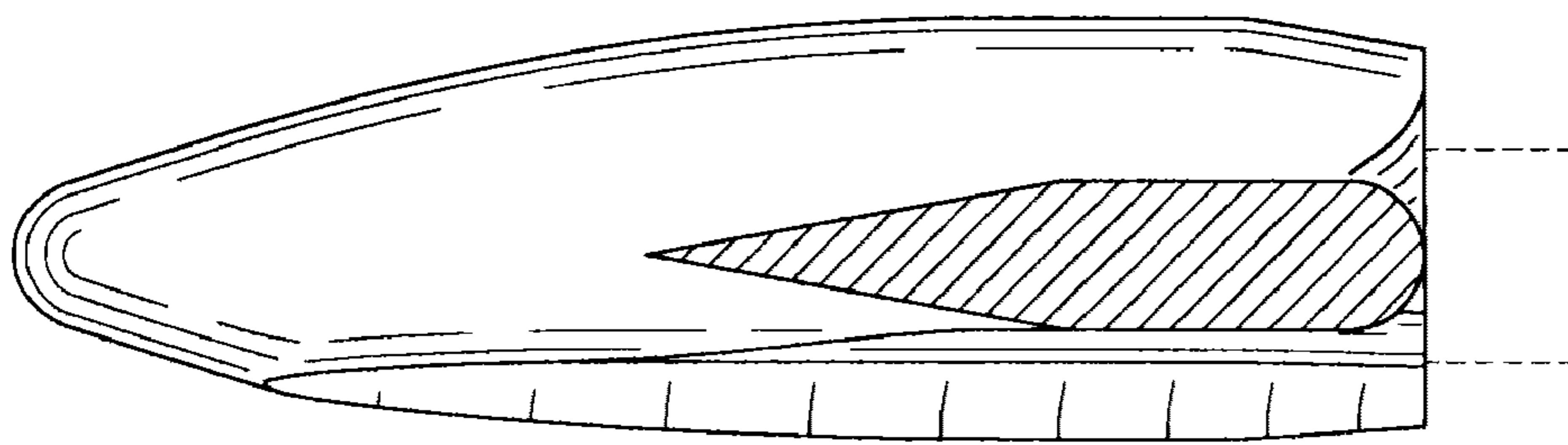


FIG. 4

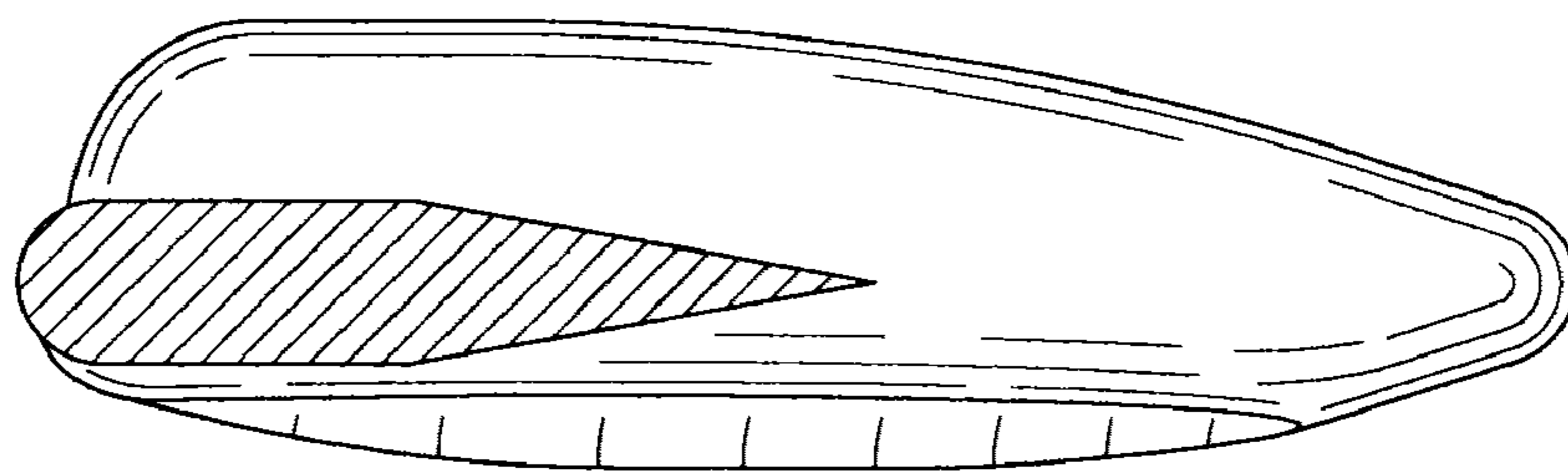


FIG. 5

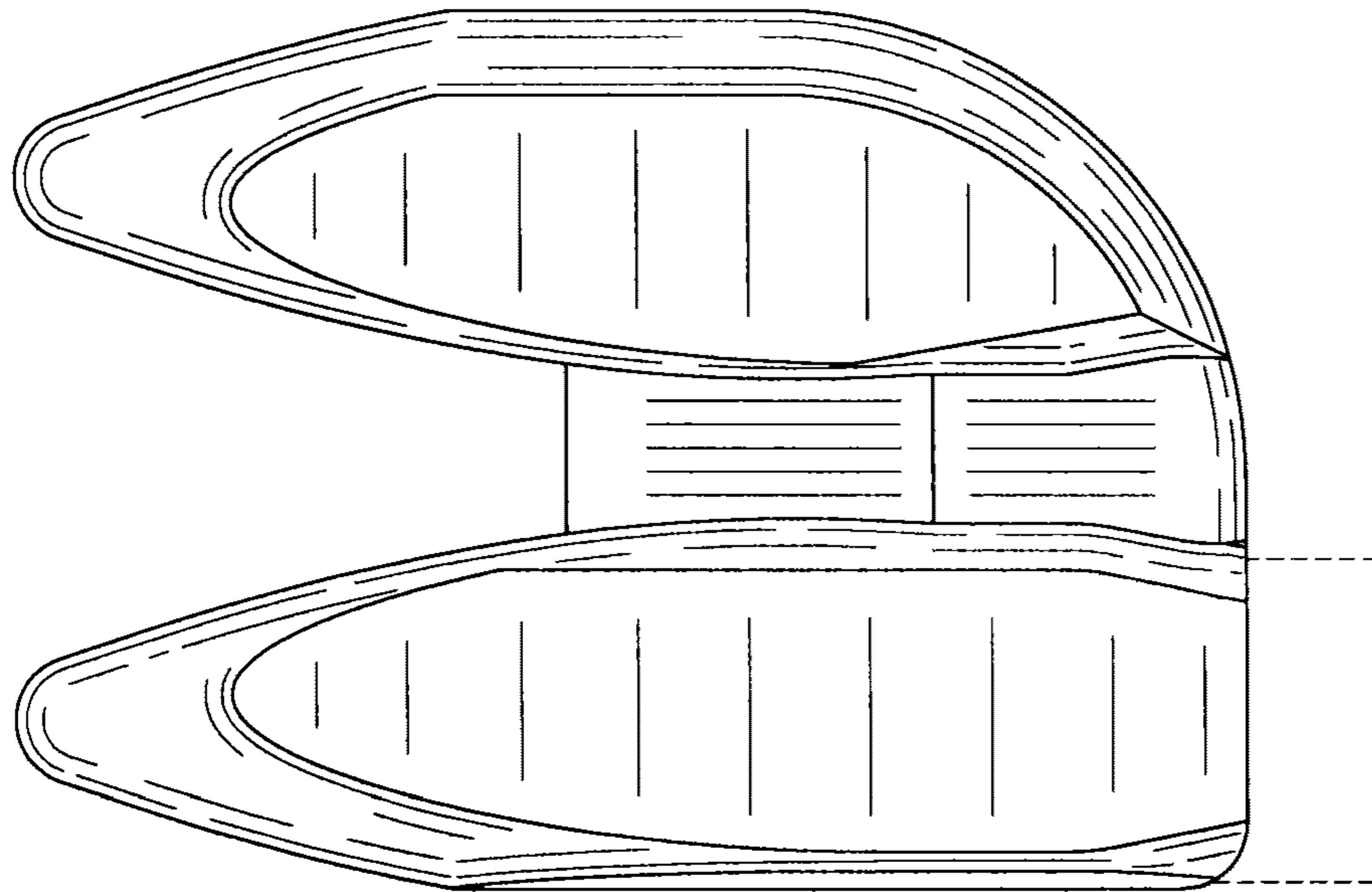


FIG. 6

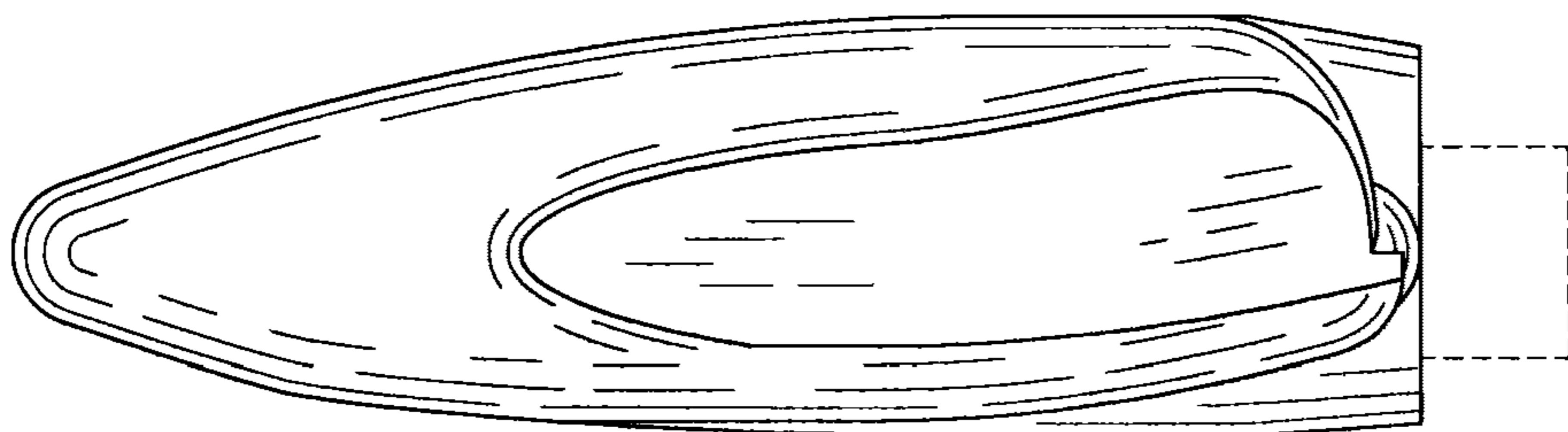


FIG. 7

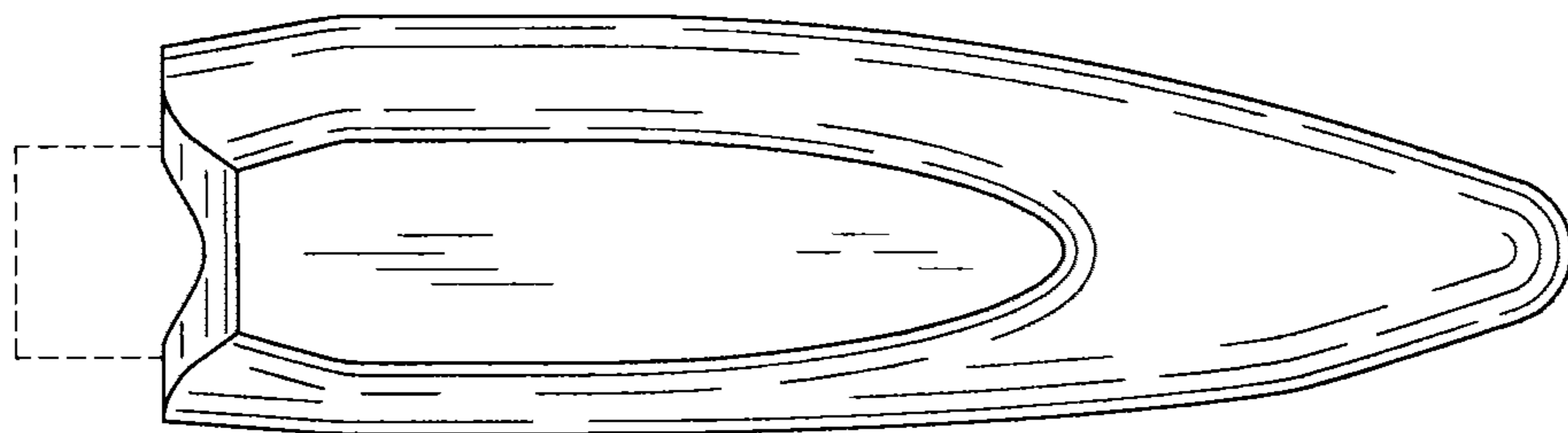


FIG. 8

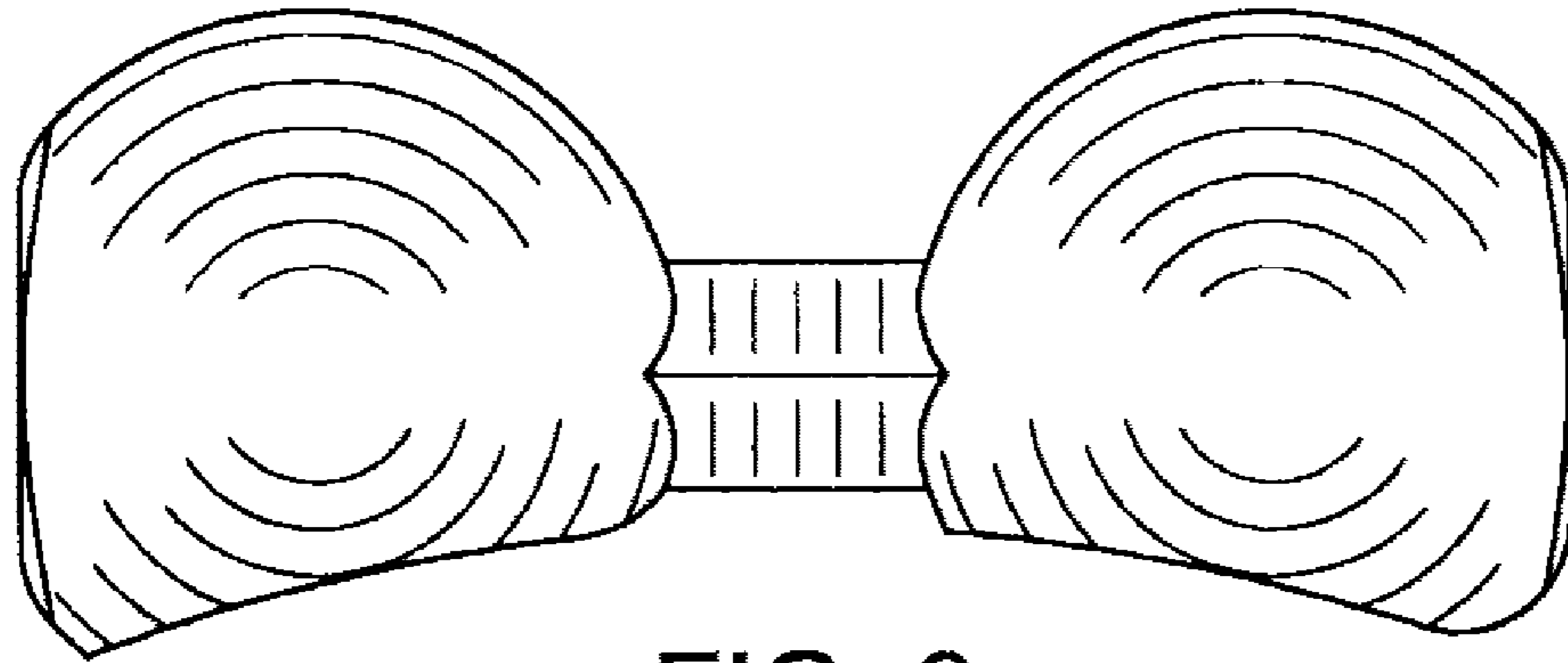


FIG. 9

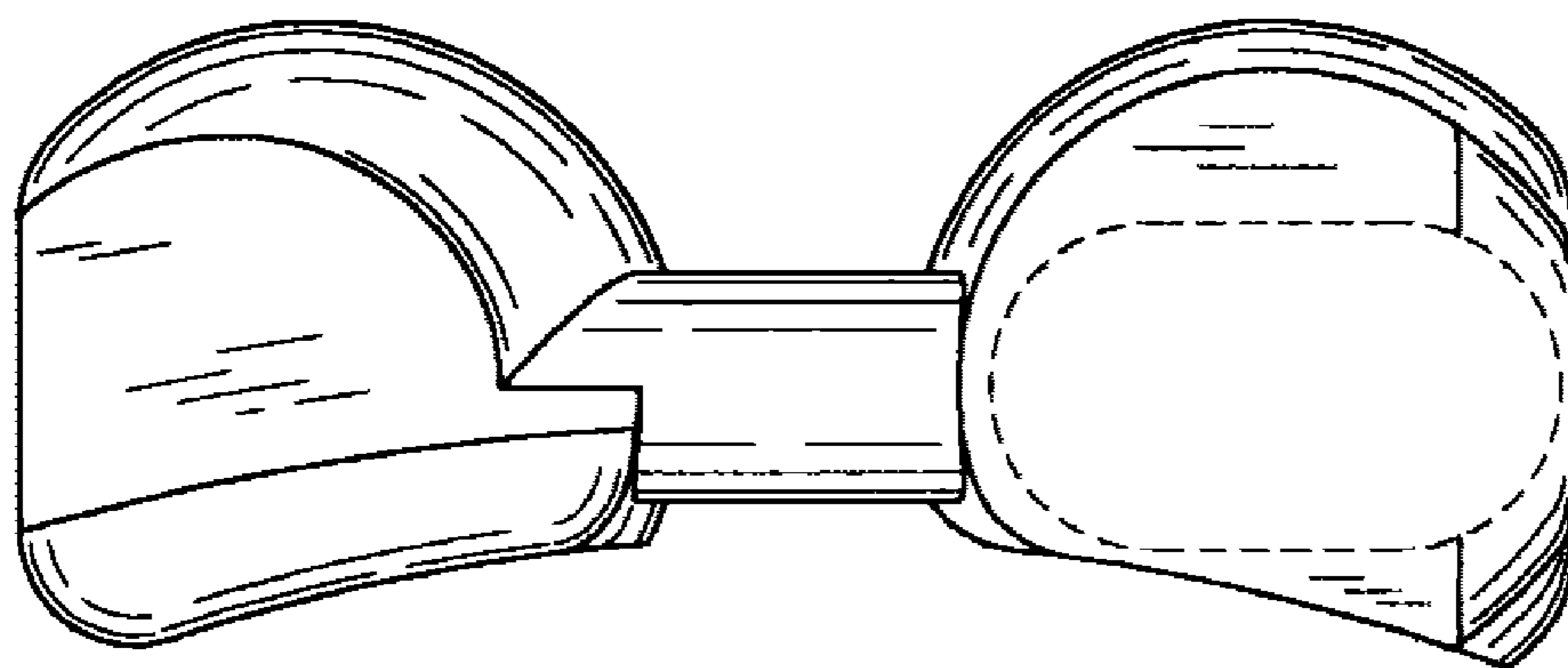


FIG. 10