



US00D629899S

(12) **United States Design Patent**
Meinero

(10) **Patent No.:** **US D629,899 S**
(45) **Date of Patent:** **** Dec. 28, 2010**

(54) **MEDICAL INSTRUMENT**

D533,941 S * 12/2006 Furst et al. D24/138
D534,276 S * 12/2006 Michel D24/138

(75) Inventor: **Piercarlo Meinero**, Santa Margherita
Ligure (IT)

(73) Assignee: **KARL STORZ GmbH & Co. KG**,
Tuttlingen (DE)

(Continued)

FOREIGN PATENT DOCUMENTS

(**) Term: **14 Years**

EM 000355946-0002 * 6/2005

(21) Appl. No.: **29/350,522**

(22) Filed: **Nov. 18, 2009**

(Continued)

(30) **Foreign Application Priority Data**

May 18, 2009 (EM) 001516550-0009

Primary Examiner—Bridget L Eland

(74) *Attorney, Agent, or Firm*—Muncy, Geissler, Olds &
Lowe, PLLC

(51) **LOC (9) Cl.** **24-02**

(52) **U.S. Cl.** **D24/138; D24/137**

(57) **CLAIM**

(58) **Field of Classification Search** D24/133,
D24/134, 135, 136, 137, 138, 139, 140, 141,
D24/142, 143, 146, 150, 152, 144, 145, 147,
D24/148, 149, 151, 153, 154, 127, 128, 129,
D24/130, 106–108, 112, 111, 200; D23/233,
D23/235; D8/40, 47, 57, 60, 67, 68, 69,
D8/80, 82, 83, 84, 93, 94, 97, 107; 600/184,
600/201–203, 210–218, 220–223, 224, 225–227;
606/7, 86 A, 86 B, 119

The ornamental design for a medical instrument, as shown
and described.

See application file for complete search history.

DESCRIPTION

(56) **References Cited**

U.S. PATENT DOCUMENTS

4,560,378 A * 12/1985 Weiland 604/83
4,736,733 A * 4/1988 Adair 600/109
5,031,603 A * 7/1991 Gautier et al. 600/135
5,048,508 A * 9/1991 Storz 600/164
5,368,598 A * 11/1994 Hasson 606/119
D367,324 S * 2/1996 McCarthy et al. D24/112
5,500,012 A * 3/1996 Brucker et al. 607/122
5,667,480 A * 9/1997 Knight et al. 600/210
5,938,680 A * 8/1999 Ginn 606/190
6,201,649 B1 * 3/2001 Rudischhauser et al. 359/808
D459,475 S * 6/2002 Topala D24/138
D506,828 S * 6/2005 Layne et al. D24/129

FIG. 1 is a left side perspective view of a medical instrument
according to an embodiment of the present invention.

FIG. 2 is a right side perspective view of the medical instru-
ment of FIG. 1.

FIG. 3 is a front perspective view of the medical instrument of
FIG. 1.

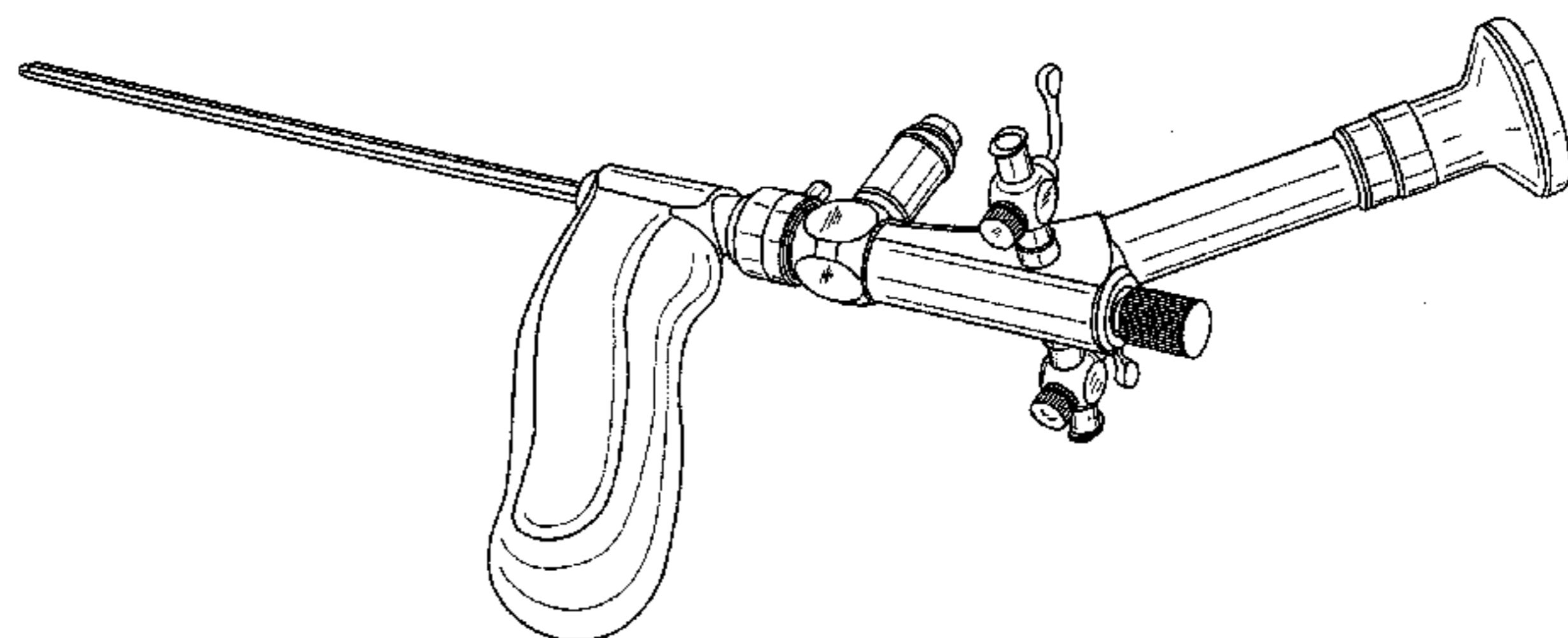
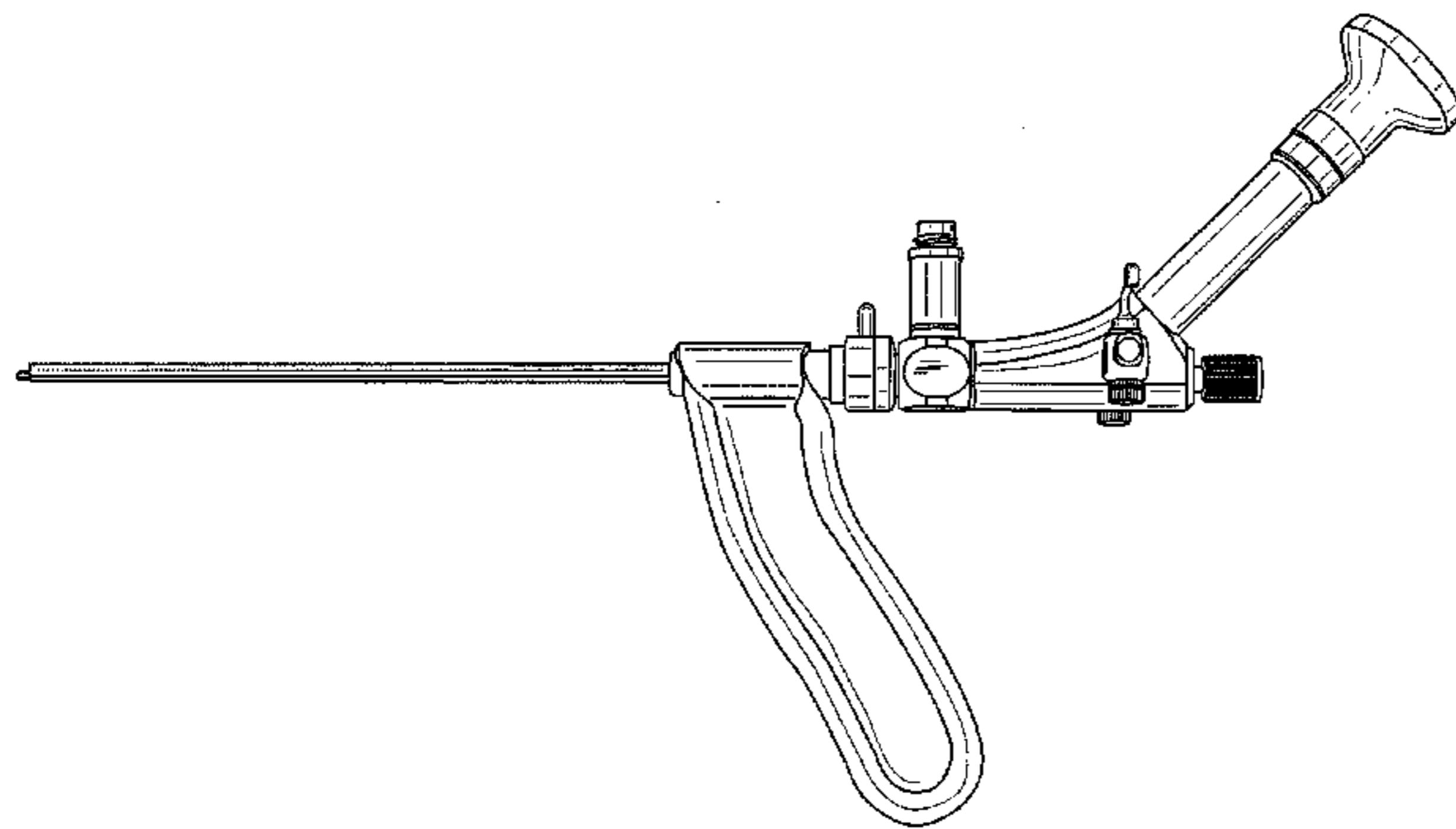
FIG. 4 is a rear perspective view of the medical instrument of
FIG. 1.

FIG. 5 is a top perspective view of the medical instrument of
FIG. 1.

FIG. 6 is a bottom perspective view of the medical instrument
of FIG. 1; and,

FIG. 7 is a three-quarters perspective view of the medical
instrument of FIG. 1.

1 Claim, 7 Drawing Sheets



US D629,899 S

Page 2

U.S. PATENT DOCUMENTS

D548,340 S * 8/2007 Michel et al. D24/138
D583,470 S * 12/2008 Kupferschmid D24/138
D583,471 S * 12/2008 Kupferschmid D24/138
D598,099 S * 8/2009 Halbig D24/138
D611,599 S * 3/2010 Eisenkolb D24/138
D611,600 S * 3/2010 Stammberger et al. D24/138
D612,047 S * 3/2010 Nagele et al. D24/138
2002/0156348 A1* 10/2002 Schoellhorn et al. 600/164
2004/0215193 A1* 10/2004 Shaolian et al. 606/61

2005/0049459 A1* 3/2005 Hern 600/121
2010/0048994 A1* 2/2010 Okoniewski 600/109
2010/0063488 A1* 3/2010 Fischer, Jr. 606/7

FOREIGN PATENT DOCUMENTS

EM 001516550-0006 * 5/2009
EM 001516550-0008 * 5/2009
EM 001516550-0009 * 5/2009

* cited by examiner

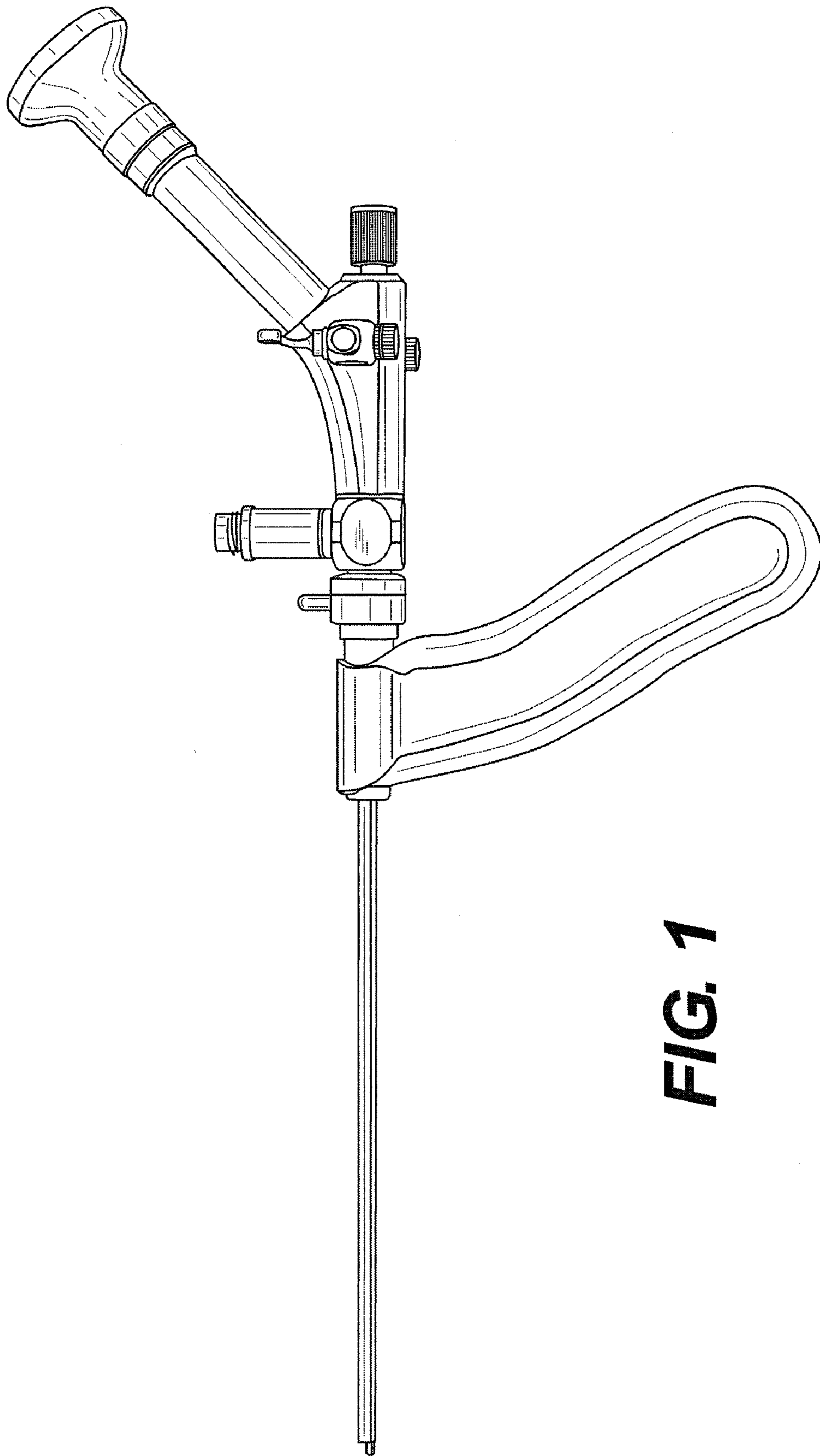


FIG. 1

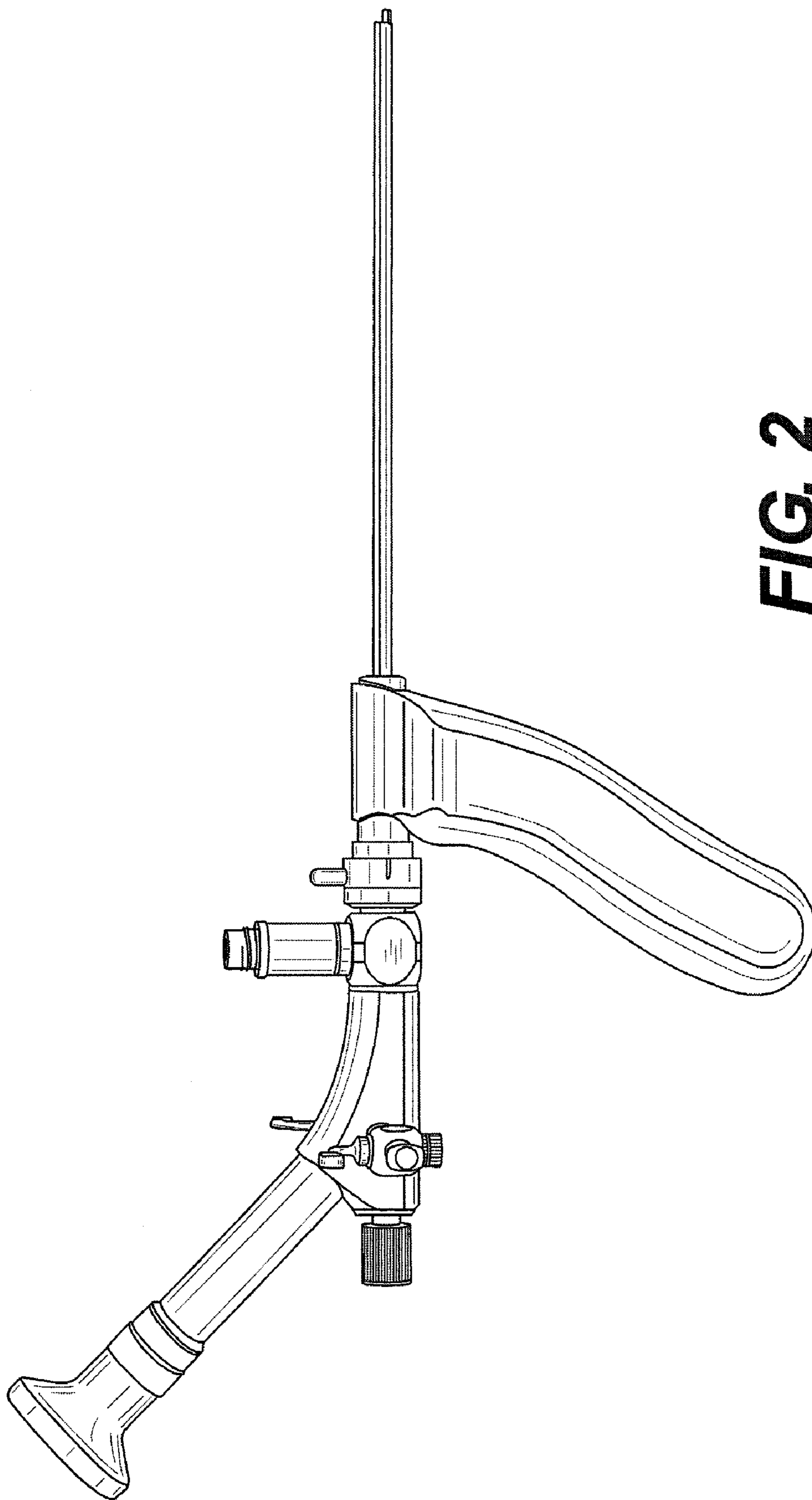


FIG. 2

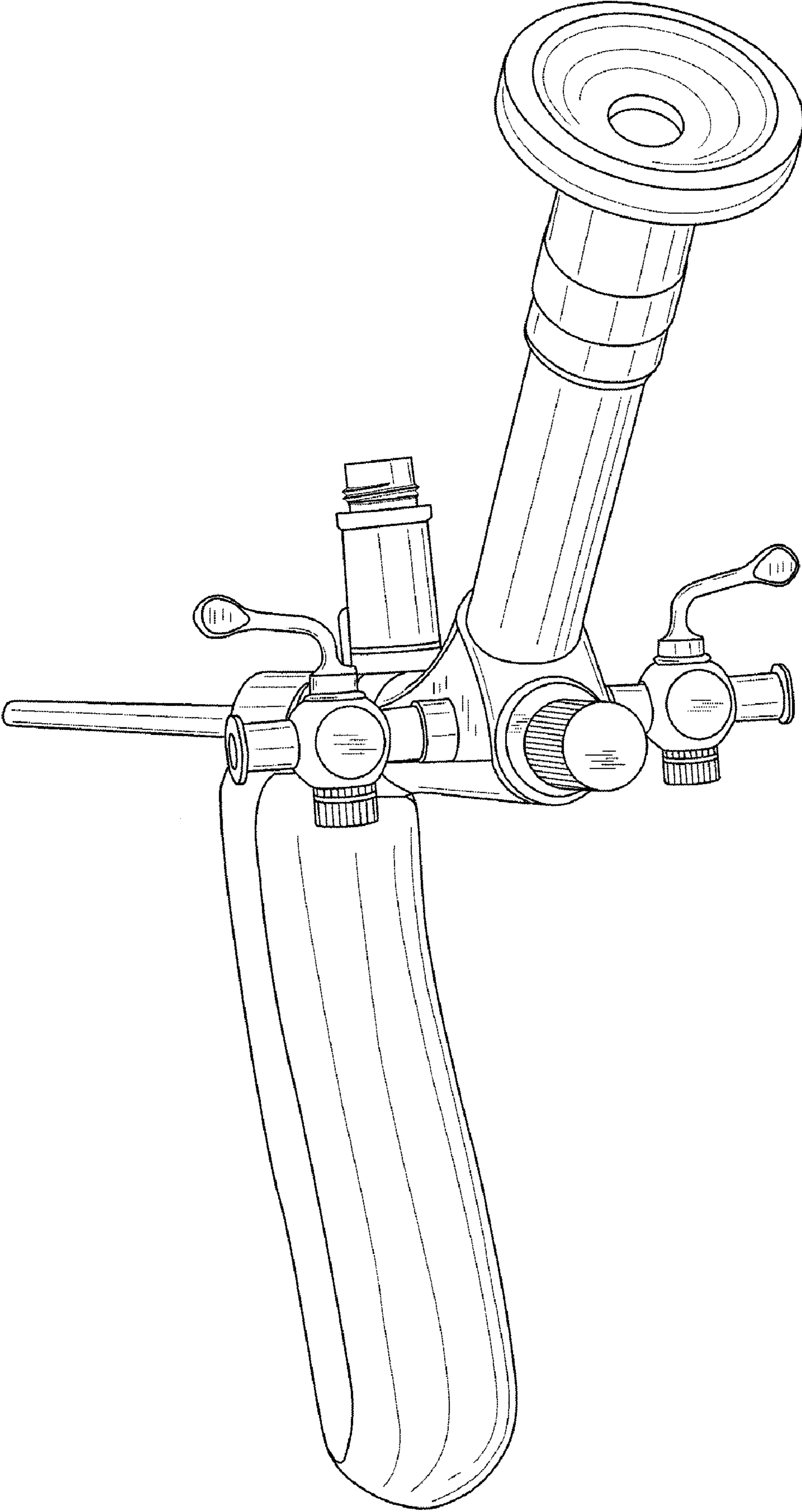


FIG. 3

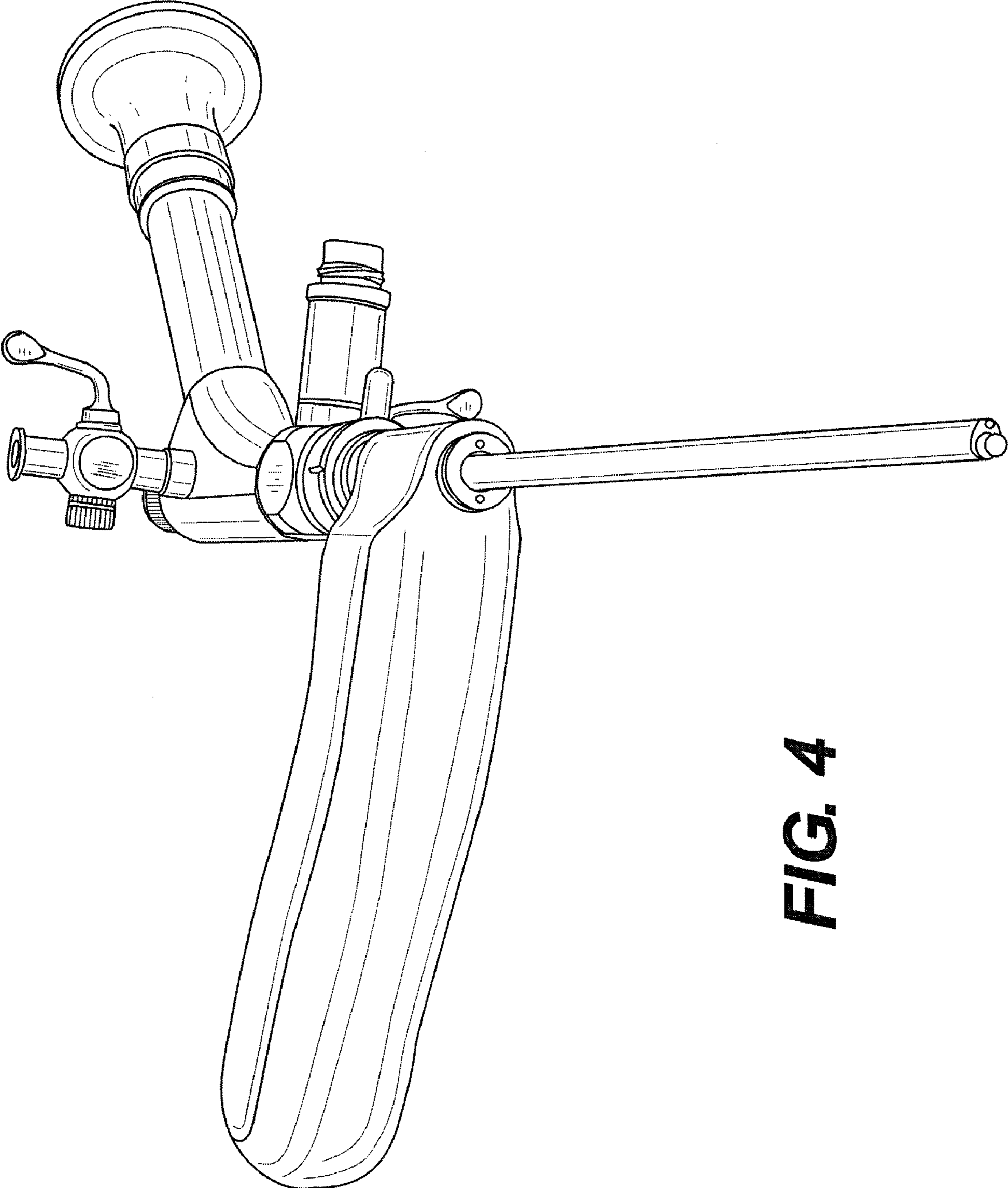


FIG. 4

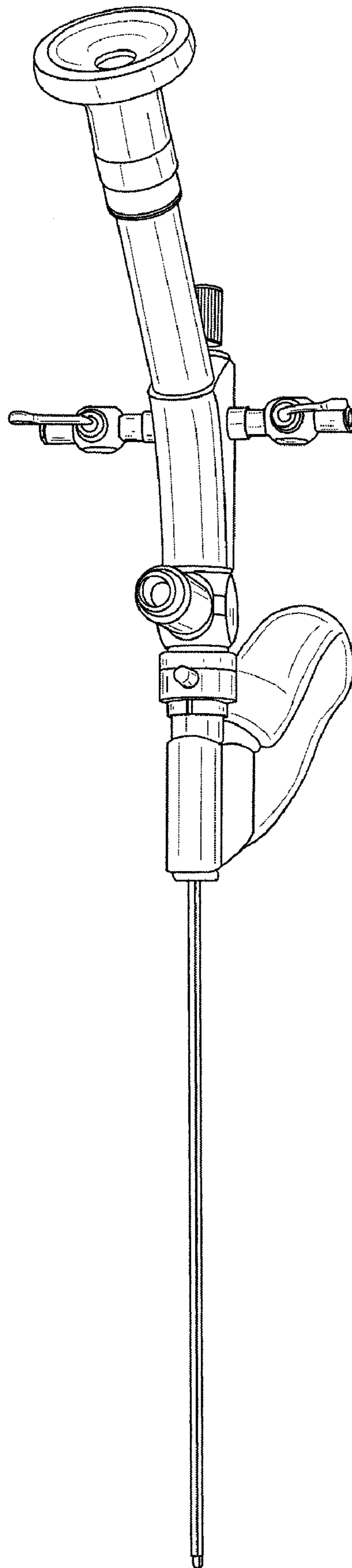


FIG. 5

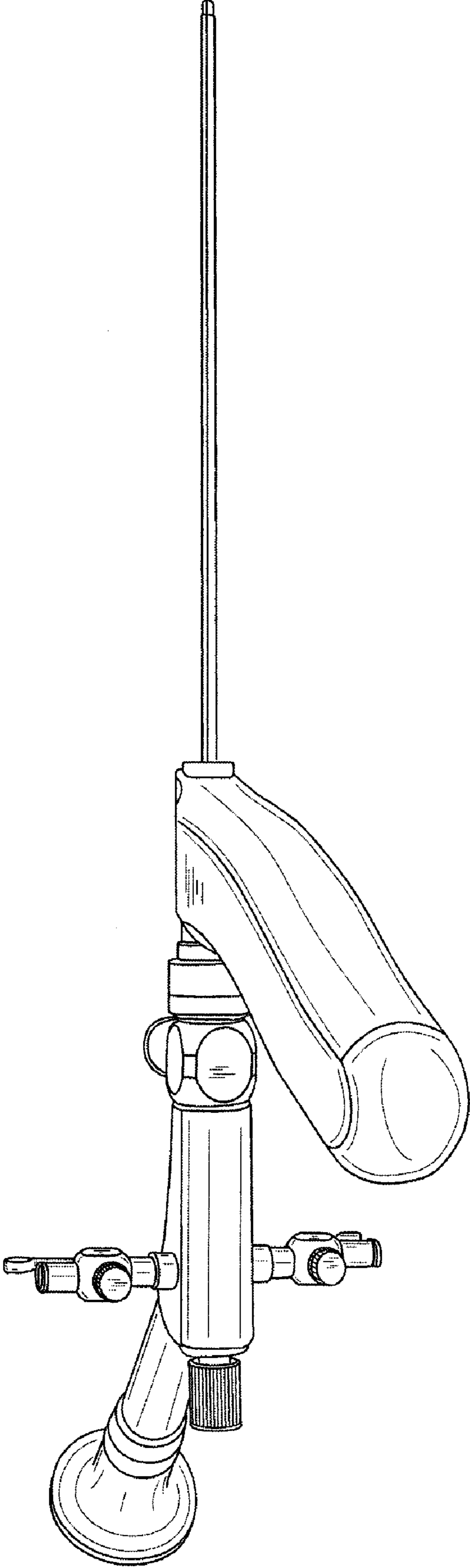


FIG. 6

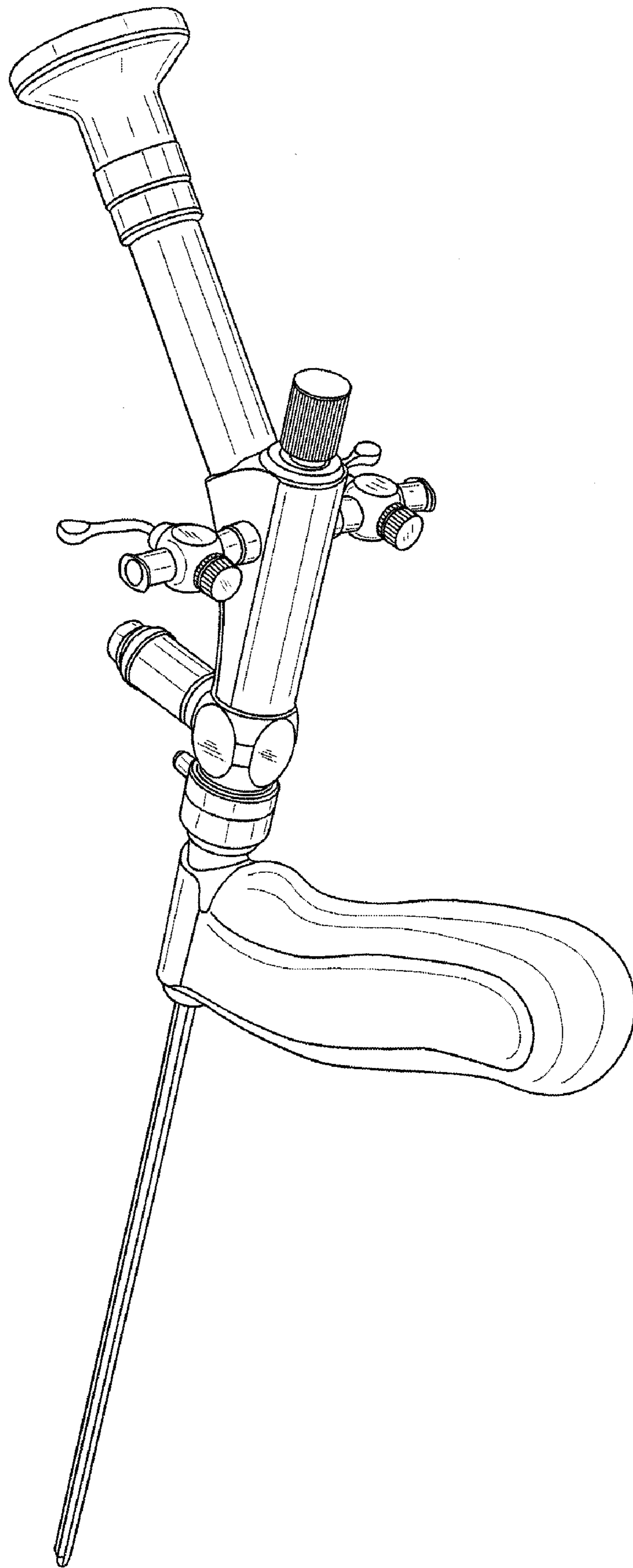


FIG. 7