

US00D629898S

(12) **United States Design Patent**
Bigelow

(10) **Patent No.:** **US D629,898 S**

(45) **Date of Patent:** **** Dec. 28, 2010**

(54) **BRACKET FOR A LARYNGOSCOPE APPARATUS**

D463,550 S * 9/2002 Sherman D24/127
D499,804 S * 12/2004 Sherman D24/127

(75) Inventor: **Warren V. Bigelow**, Bloomington, MN (US)

* cited by examiner

Primary Examiner—Bridget L Eland

(73) Assignee: **International Medical, Inc.**, Burnsville, MN (US)

(74) *Attorney, Agent, or Firm*—Norman B. Rainer

(**) Term: **14 Years**

(57) **CLAIM**

(21) Appl. No.: **29/348,893**

The ornamental design for a bracket for a laryngoscope apparatus, as shown and described.

(22) Filed: **Feb. 19, 2010**

DESCRIPTION

(51) **LOC (9) Cl.** **24-02**

FIG. 1 is a side view of a bracket for a laryngoscope apparatus showing my new design, the unshown opposite side being of substantially identical appearance;

(52) **U.S. Cl.** **D24/137; D24/128**

FIG. 2 is a perspective side and rear view thereof;

(58) **Field of Classification Search** D24/137, D24/133, 135, 138, 127, 128; D8/34, 40; 600/185-200; 606/191-200

FIG. 3 is a top view thereof;

See application file for complete search history.

FIG. 4 is a rear view thereof; and,

FIG. 5 is a bottom view thereof.

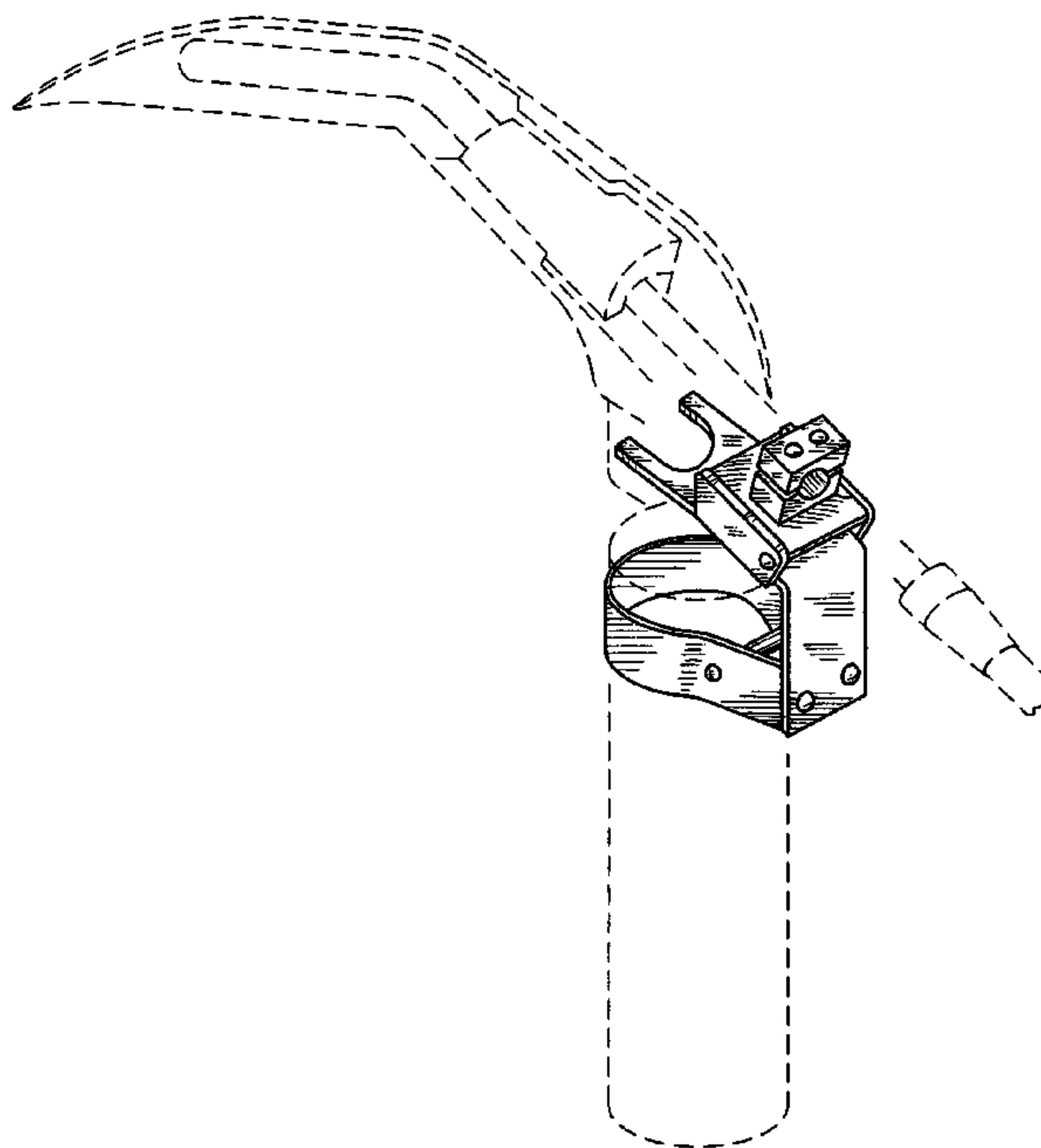
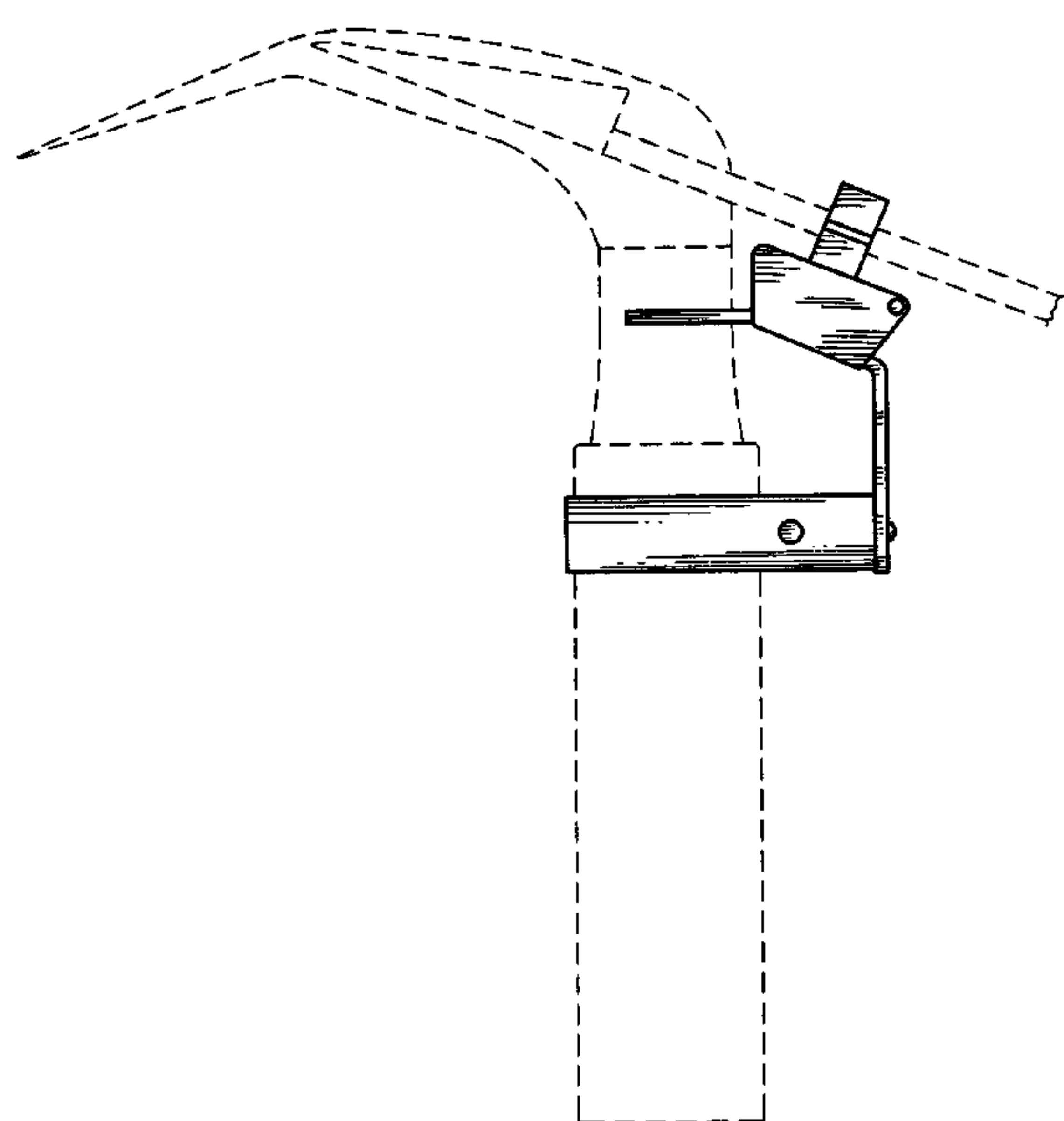
(56) **References Cited**

The broken line showing in FIGS. 1 and 2, of a laryngoscope apparatus, is directed to environment and is for illustrative purposes only; the broken lines form no part of the claimed design.

U.S. PATENT DOCUMENTS

D265,508 S * 7/1982 Rusteberg D24/128
D315,211 S * 3/1991 Reil D24/146
5,806,822 A * 9/1998 Schulz 248/309.1
D455,831 S * 4/2002 Koros et al. D24/135

1 Claim, 3 Drawing Sheets



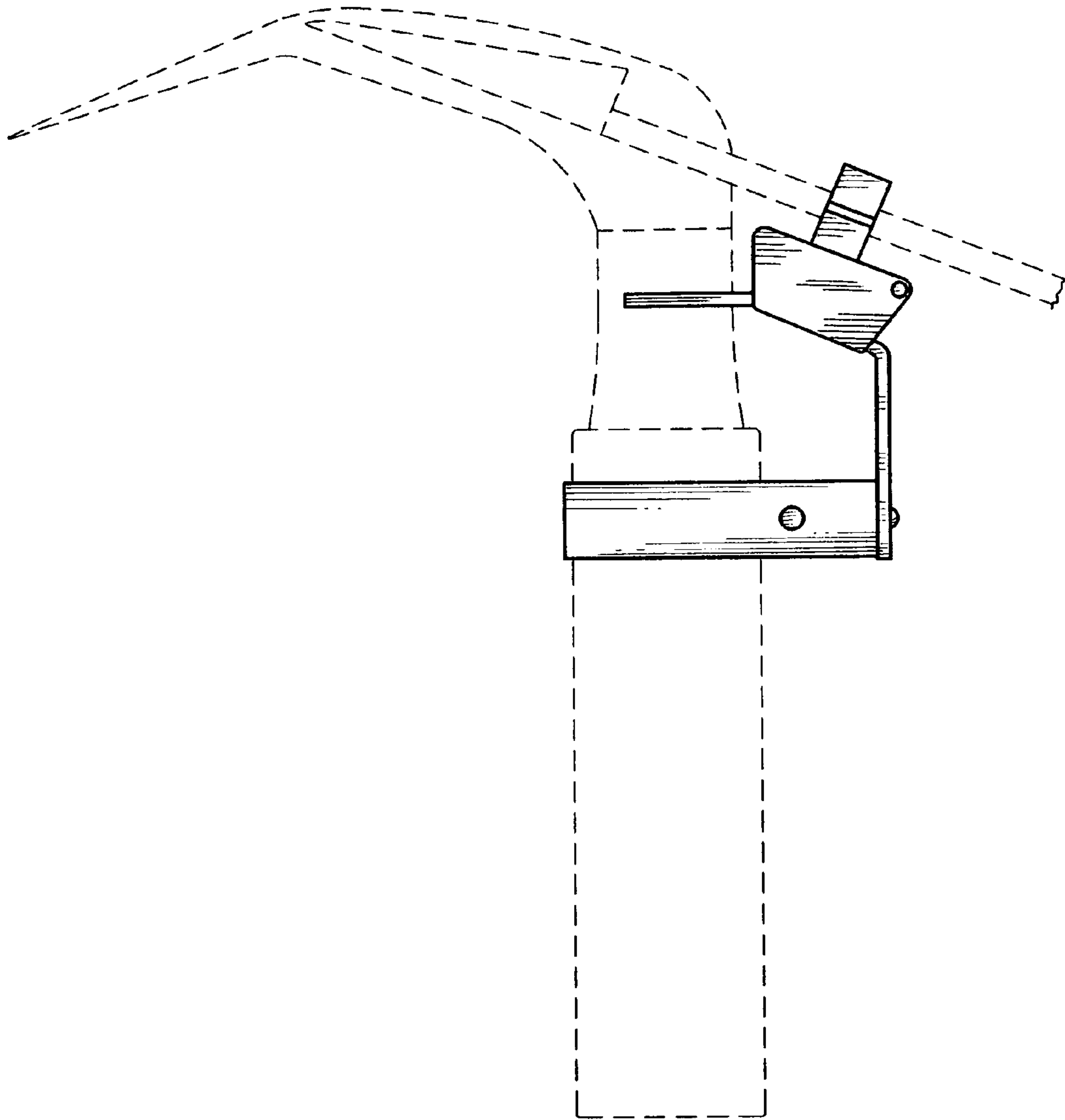


FIG. 1

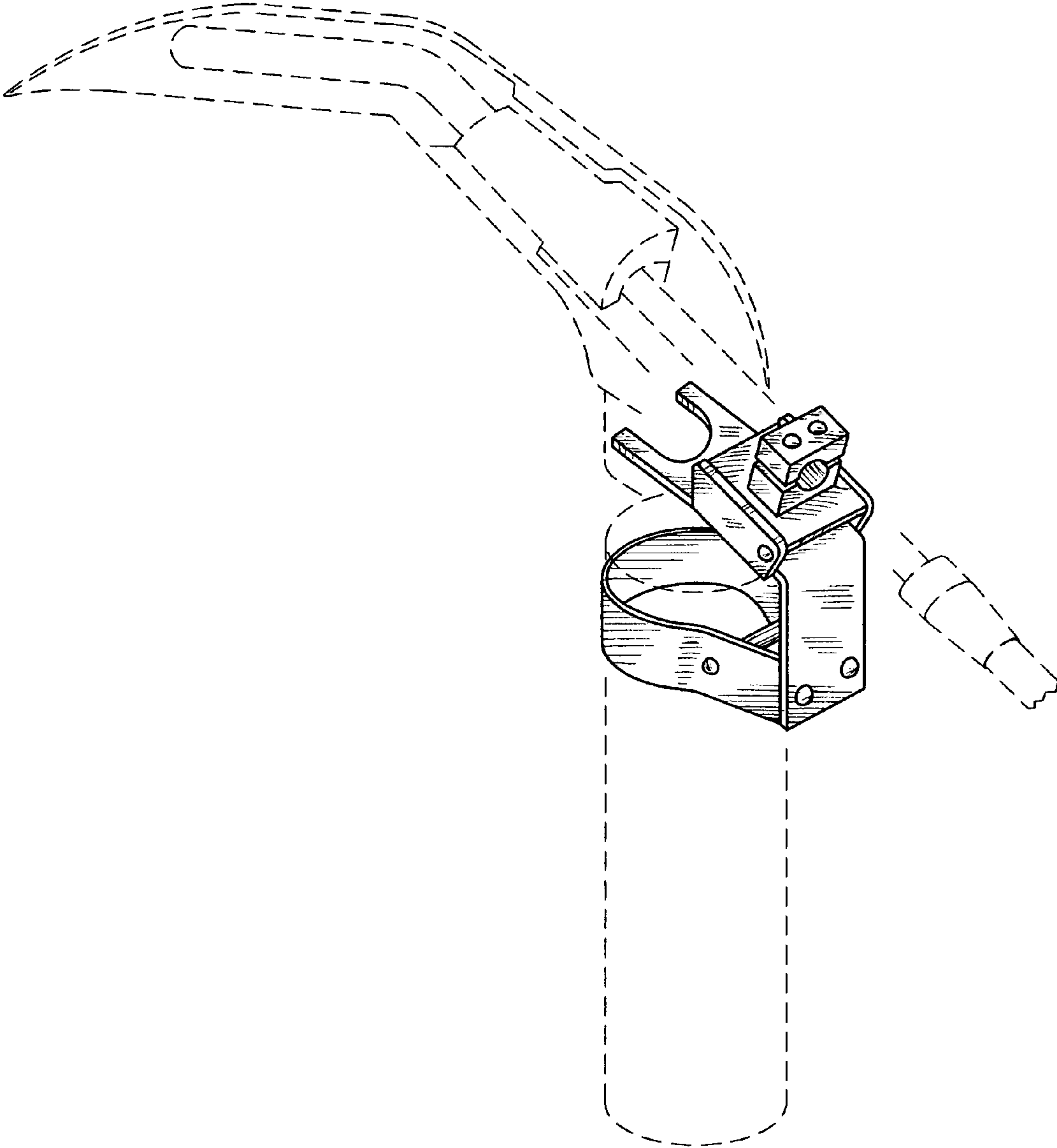


FIG. 2

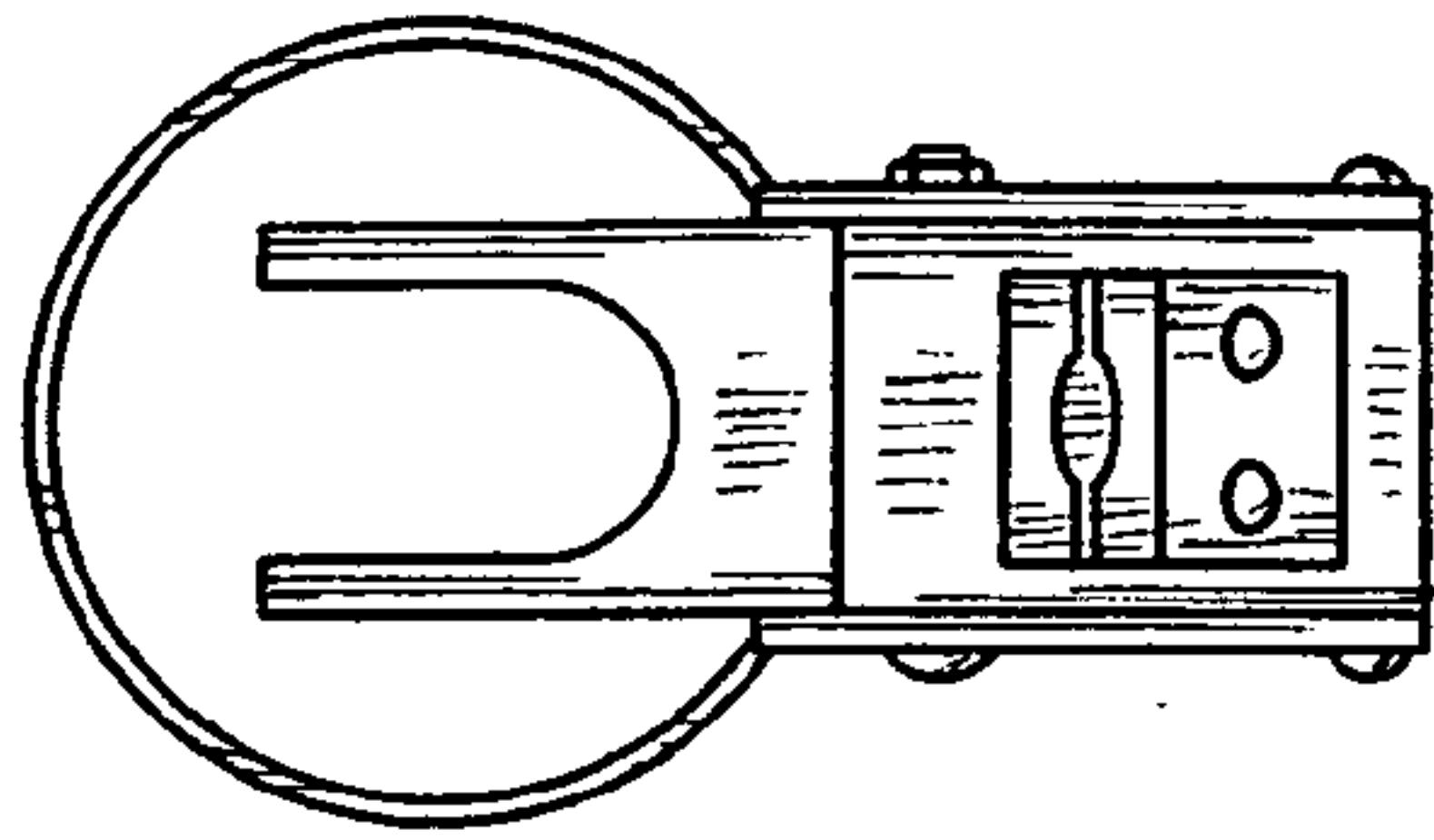


FIG. 3

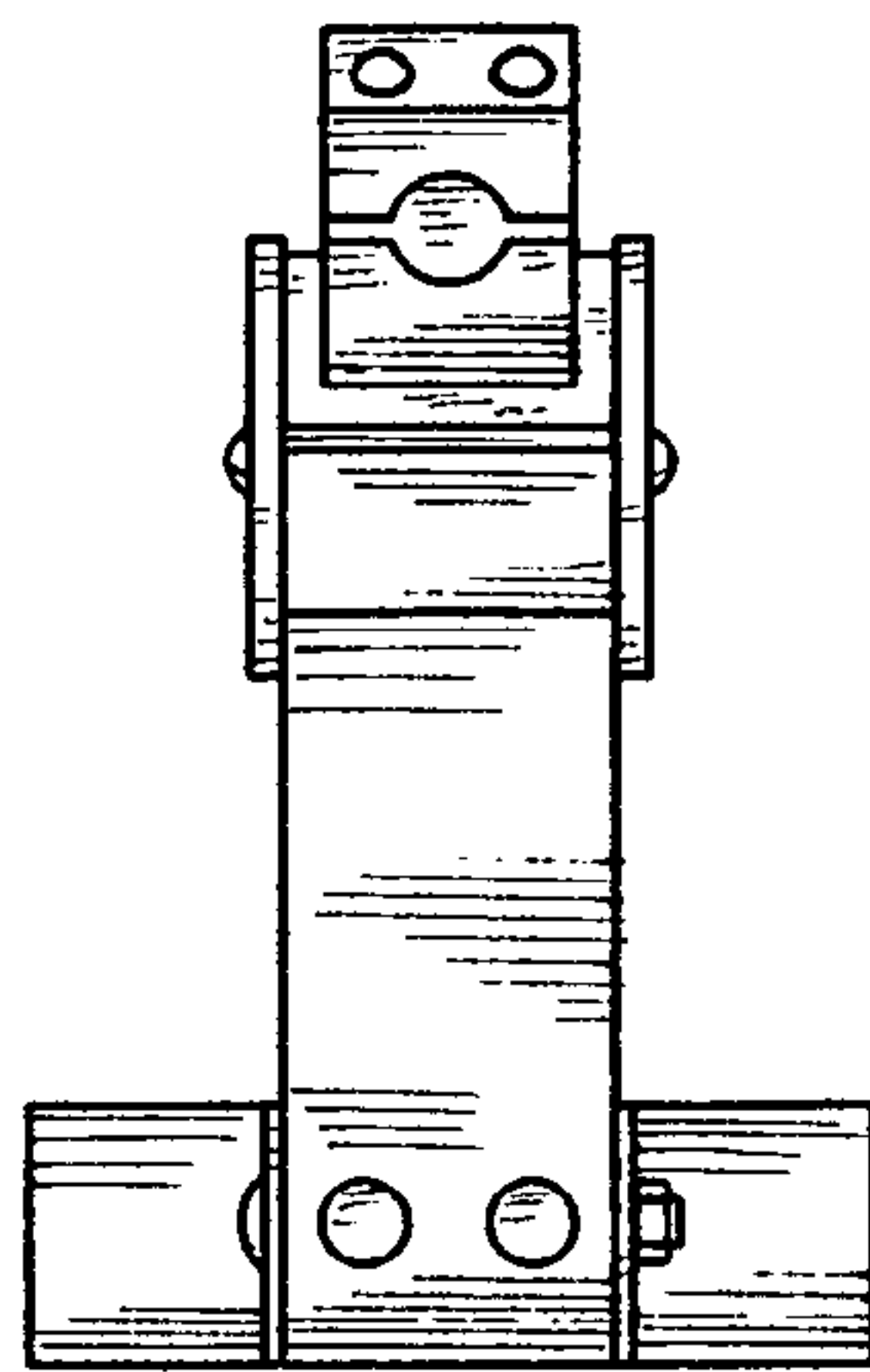


FIG. 4

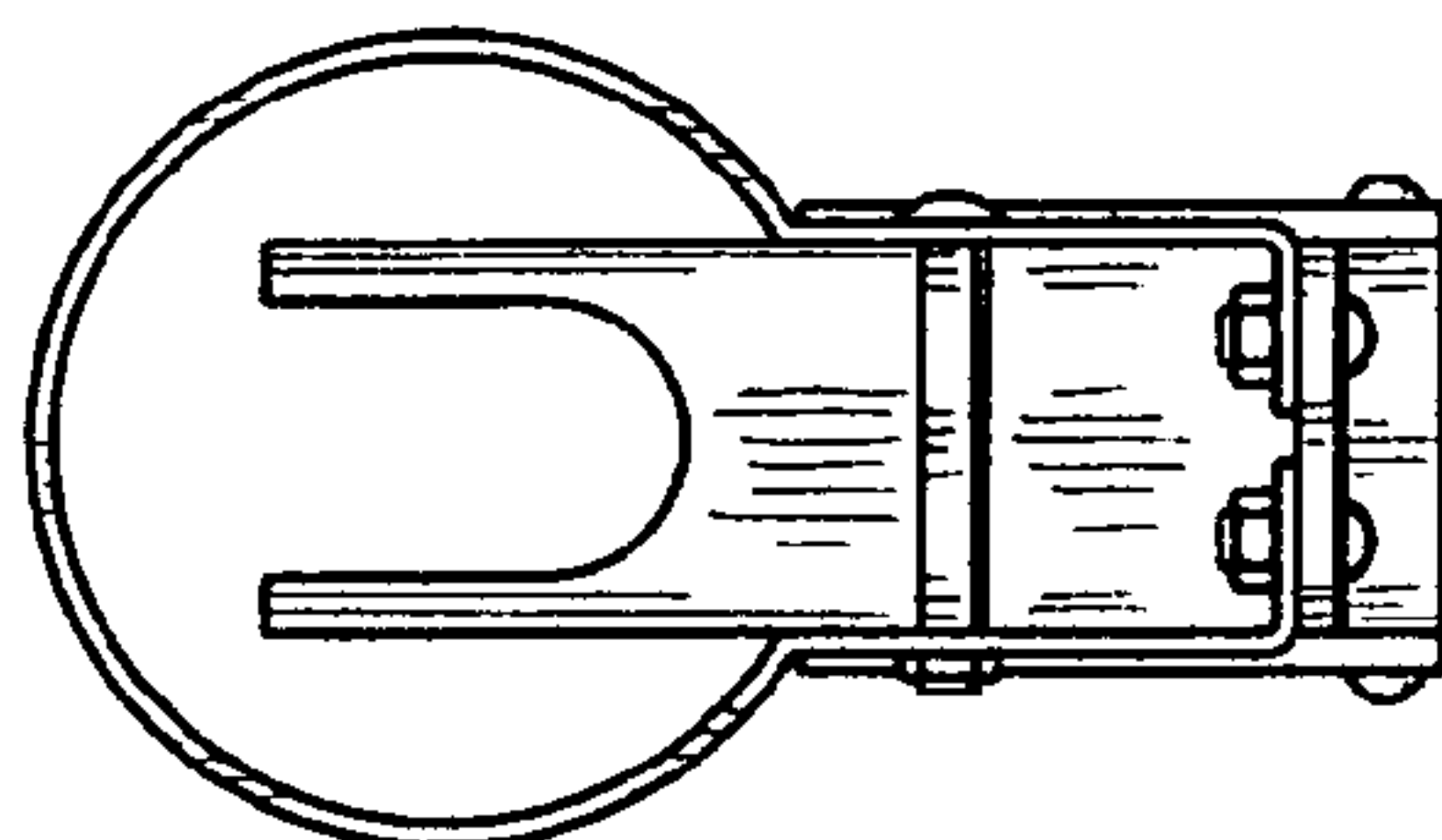


FIG. 5