

US00D629897S

(12) **United States Design Patent**  
**Koros et al.**

(10) **Patent No.:** **US D629,897 S**

(45) **Date of Patent:** **\*\* Dec. 28, 2010**

(54) **TAPERED RETRACTOR BLADE**

(76) Inventors: **Tibor Koros**, 610 Flinn Ave., Moorpark, CA (US) 93021; **Gabriel Koros**, 2054 Hathaway Ave., Thousand Oaks, CA (US) 91362

(\*\*) Term: **14 Years**

(21) Appl. No.: **29/271,587**

(22) Filed: **Jan. 23, 2007**

(51) **LOC (9) Cl.** ..... **24-02**

(52) **U.S. Cl.** ..... **D24/135**

(58) **Field of Classification Search** ..... D24/135, D24/136; 600/201, 206, 213, 227, 208, 210, 600/235, 233, 226

See application file for complete search history.

(56) **References Cited**

**U.S. PATENT DOCUMENTS**

D275,227 S \* 8/1984 Garner, Jr. .... D24/135  
D430,294 S \* 8/2000 Nathanson et al. .... D24/135  
D430,668 S \* 9/2000 Koros et al. .... D24/135  
D510,768 S \* 10/2005 Farley ..... D24/135

D523,142 S \* 6/2006 Stalcup et al. .... D24/135  
D568,471 S \* 5/2008 Engler ..... D24/135

\* cited by examiner

*Primary Examiner*—Ian Simmons

*Assistant Examiner*—Christopher Lee

(74) *Attorney, Agent, or Firm*—Fulwider Patton LLP

(57) **CLAIM**

The ornamental design for a tapered retractor blade, substantially as shown and described.

**DESCRIPTION**

FIG. 1 is an isometric view of a tapered retractor blade according to the invention showing our new design. (Broken line of needle is for illustrative purpose only)

FIG. 2 is a front elevation view thereof,

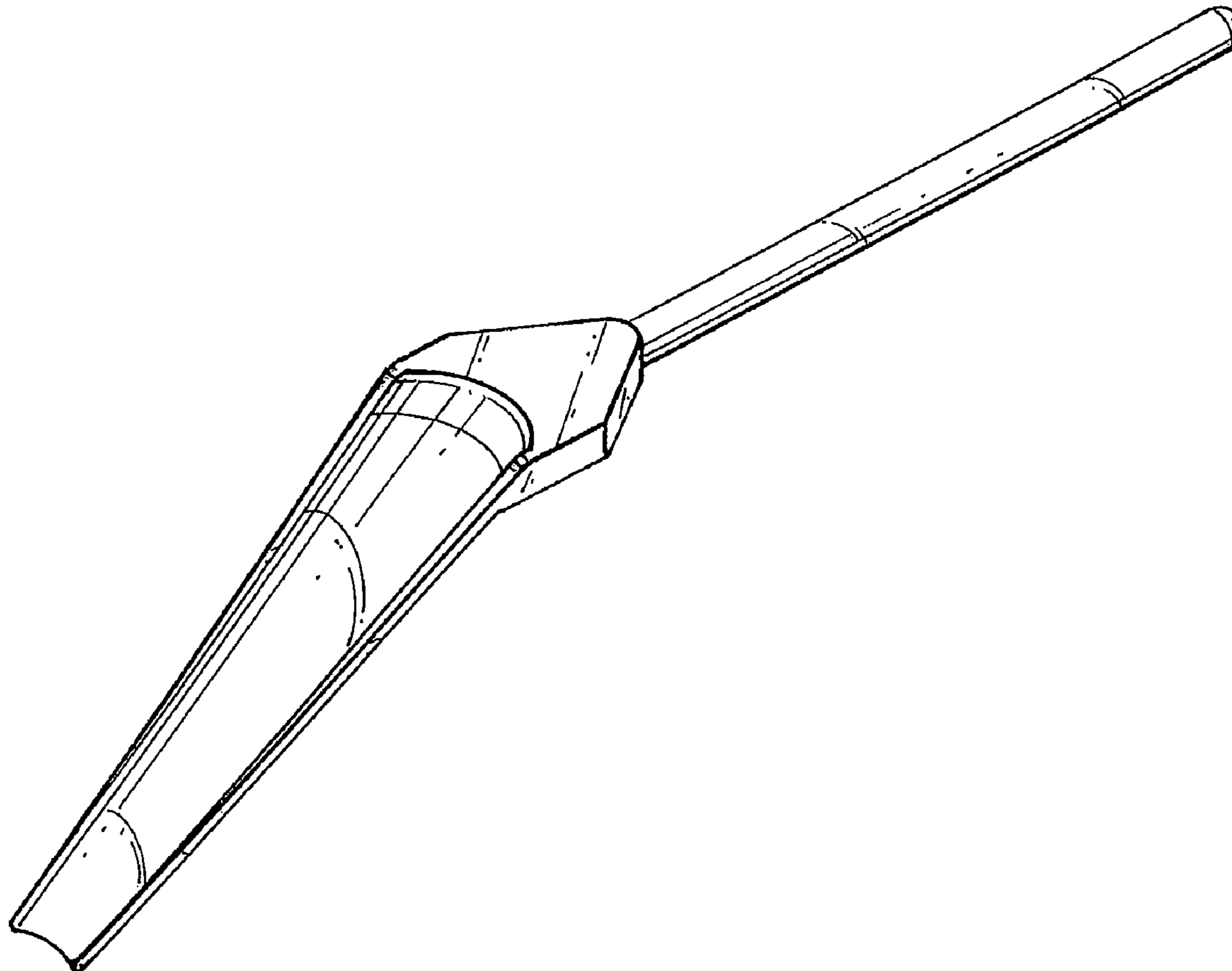
FIG. 3 is a right side elevation view thereof, (Left side is identical)

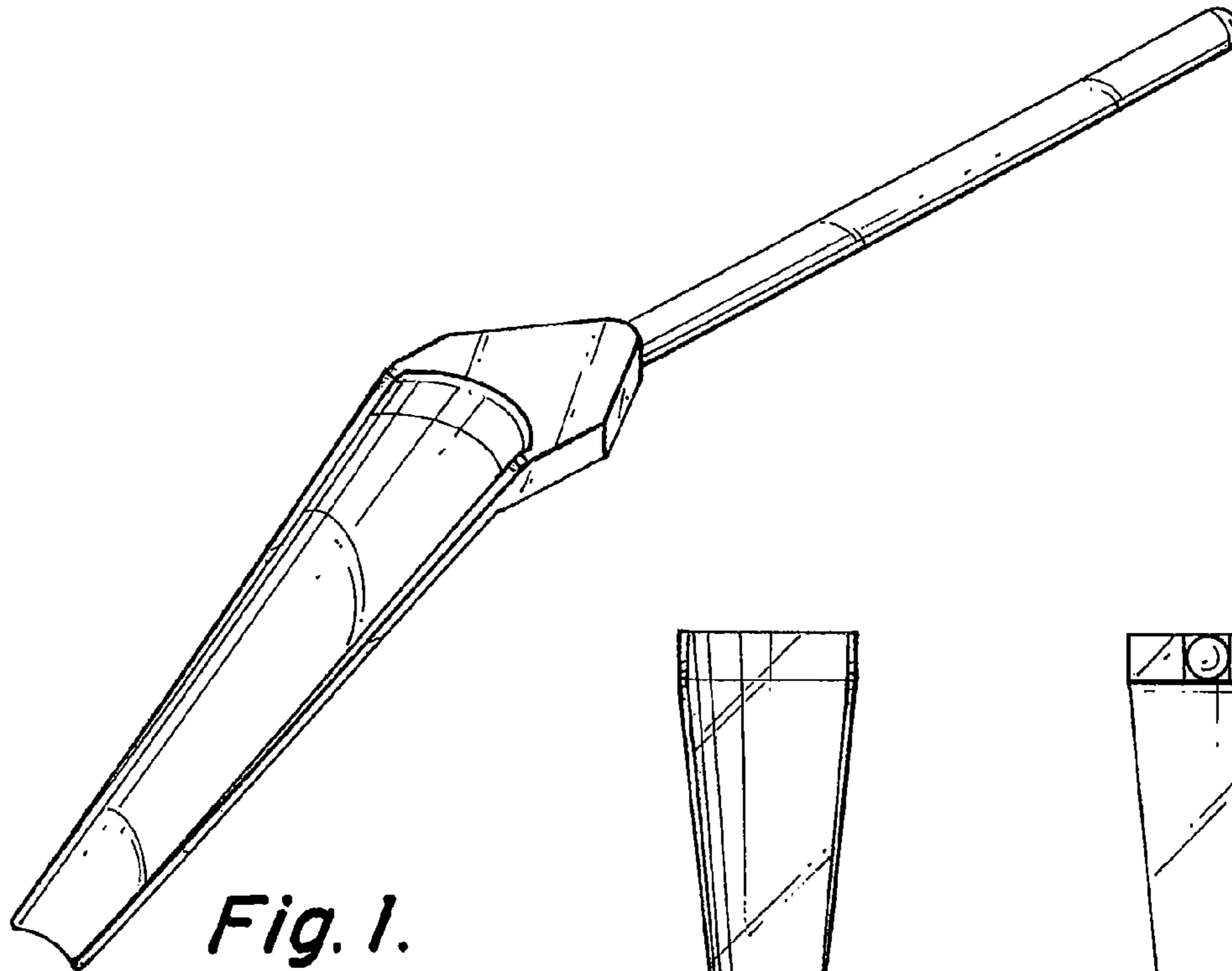
FIG. 4 is a rear elevation view thereof,

FIG. 5 is a top plan view thereof; and,

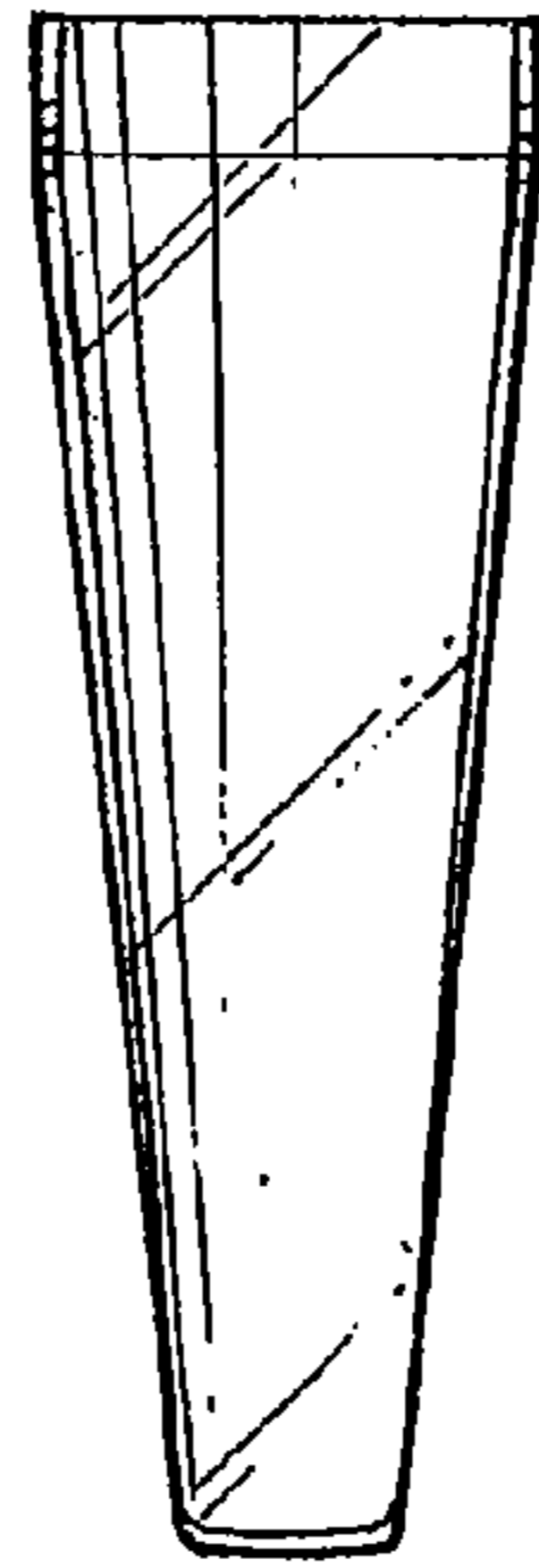
FIG. 6 is a bottom plan view thereof.

**1 Claim, 2 Drawing Sheets**

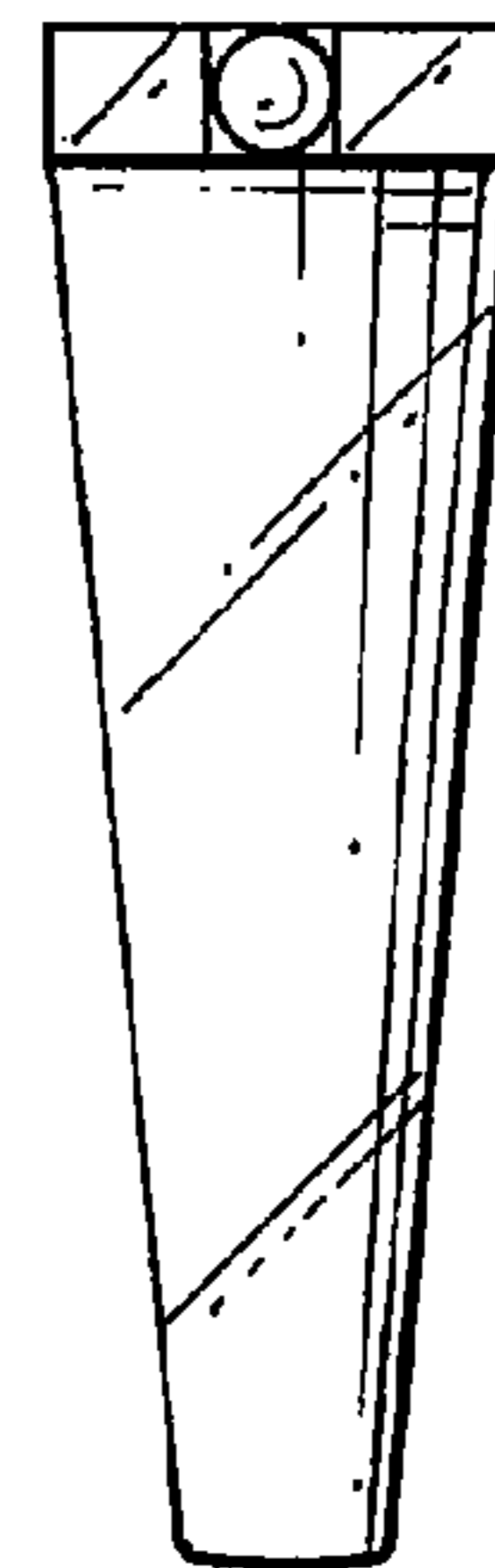




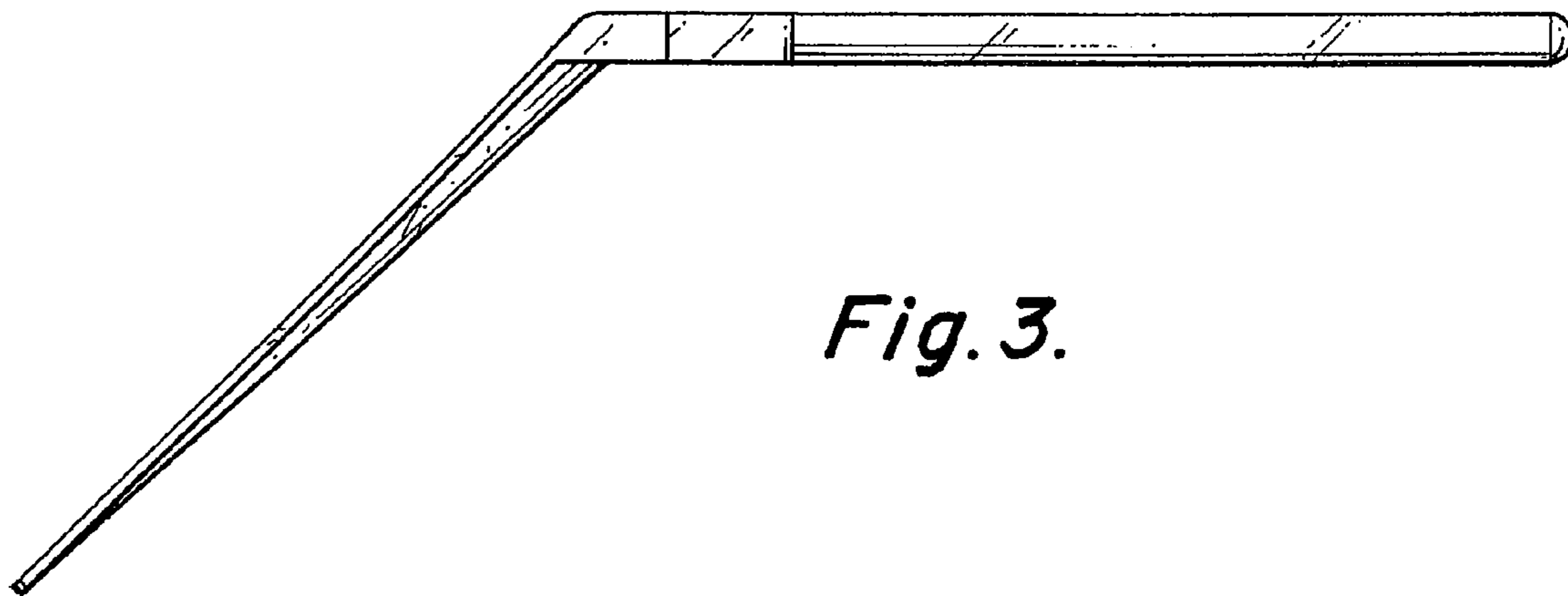
*Fig. 1.*



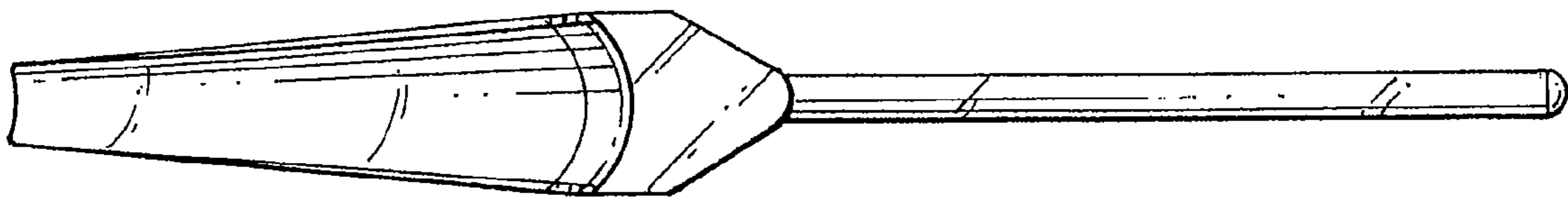
*Fig. 2.*



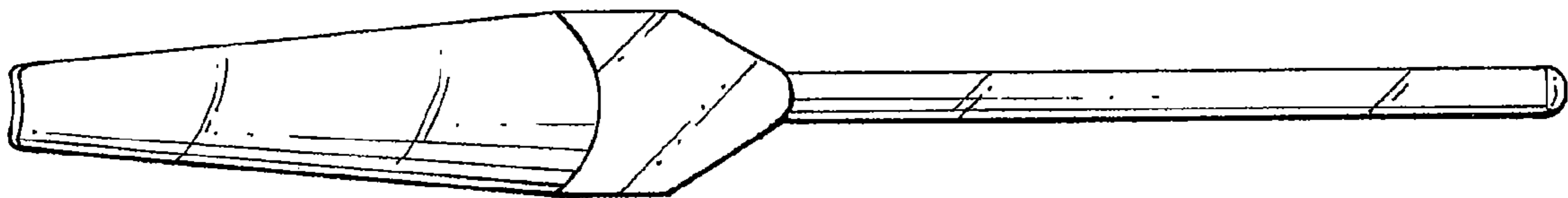
*Fig. 4.*



*Fig. 3.*



*Fig. 5.*



*Fig. 6.*