



US00D629895S

(12) **United States Design Patent**
Demleitner et al.

(10) **Patent No.:** **US D629,895 S**

(45) **Date of Patent:** **** Dec. 28, 2010**

(54) **HANDHOLD FOR MEDICAL INSTRUMENTS**

(75) Inventors: **Rupert Demleitner**, Heidenheim (DE);
Viktor Kugler, Aalen (DE)

(73) Assignee: **Carl Zeiss Surgical GmbH**,
Oberkochen (DE)

(**) Term: **14 Years**

(21) Appl. No.: **29/347,493**

(22) Filed: **Feb. 12, 2010**

(30) **Foreign Application Priority Data**

Aug. 14, 2009 (EM) 001159214-0001

(51) **LOC (9) Cl.** **24-02**

(52) **U.S. Cl.** **D24/133**

(58) **Field of Classification Search** D24/133,
D24/134, 135, 136, 137, 138, 139, 140, 141,
D24/142, 143, 146, 150, 152, 144, 145, 147,
D24/148, 149, 151, 153, 154, 127, 128, 129,
D24/130, 107-108, 112, 111, 200; 600/131,
600/197, 226, 234

See application file for complete search history.

(56) **References Cited**

U.S. PATENT DOCUMENTS

D331,971 S	*	12/1992	Main	D24/145
D345,795 S	*	4/1994	Green et al.	D24/145
D401,334 S	*	11/1998	Herman et al.	D24/133
D444,065 S	*	6/2001	Crawford et al.	D9/453
D461,244 S	*	8/2002	Niermann	D24/130
D484,594 S	*	12/2003	Hayamizu	D24/138
D581,046 S	*	11/2008	Sudo	D24/130
D616,984 S	*	6/2010	Gilboa	D24/129

D620,777 S	*	8/2010	Demers et al.	D8/107
2004/0127888 A1	*	7/2004	O'Neil et al.	606/1
2005/0055041 A1	*	3/2005	Woods	606/166
2007/0088202 A1	*	4/2007	Albrecht et al.	600/201
2010/0198015 A1	*	8/2010	Greenburg et al.	600/131

* cited by examiner

Primary Examiner—Bridget L Eland

(74) *Attorney, Agent, or Firm*—Walter Ottesen

(57) **CLAIM**

The ornamental design for a handhold for medical instruments, as shown and described.

DESCRIPTION

FIG. 1 is a front perspective view of the handhold of our new design;

FIG. 2 is a rear perspective view of said handhold of FIG. 1;

FIG. 3 is a plan view of said handhold of FIG. 1;

FIG. 4 is a plan view of said handhold of FIG. 1 shown rotated by 120° about its longitudinal axis relative to FIG. 3;

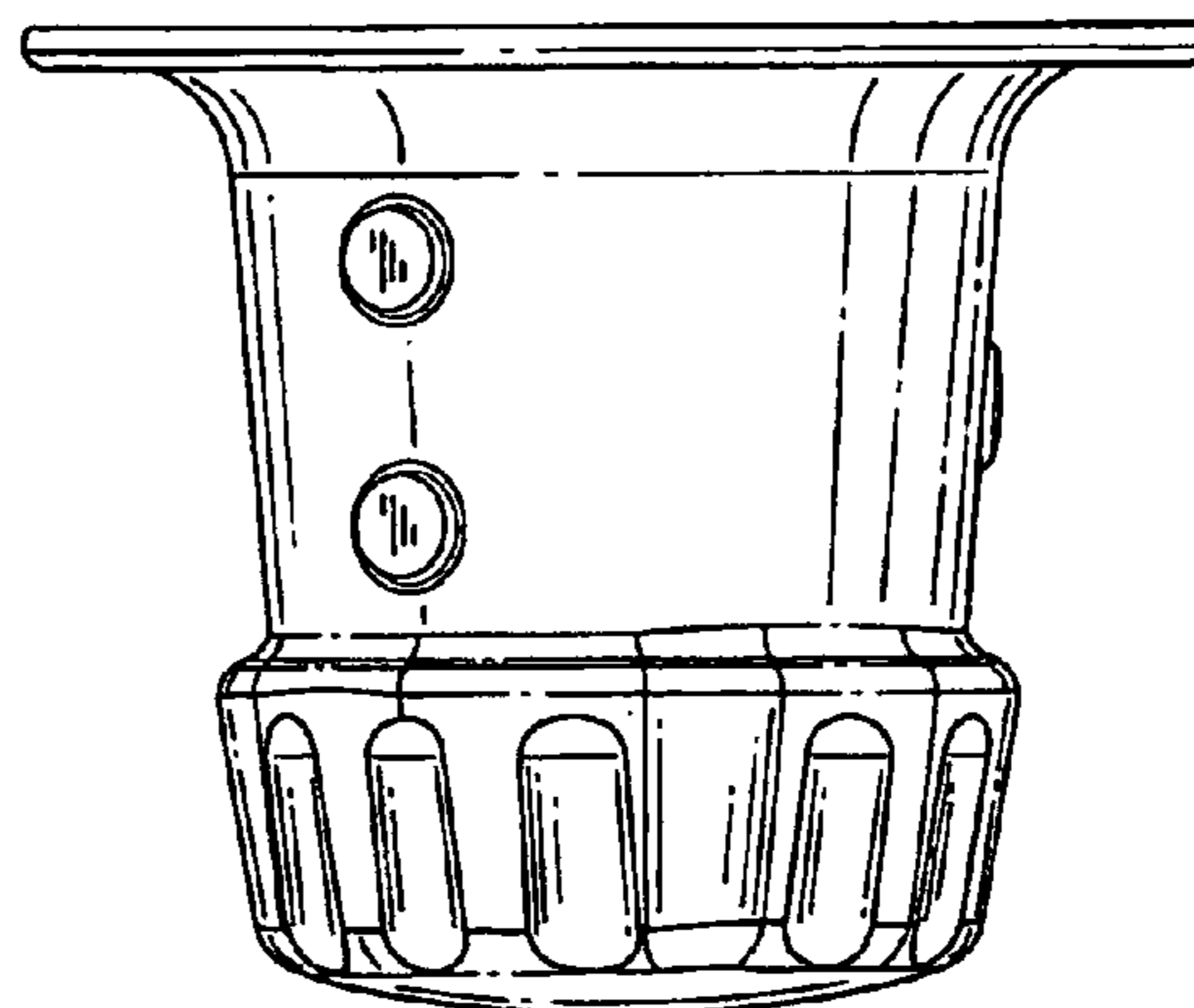
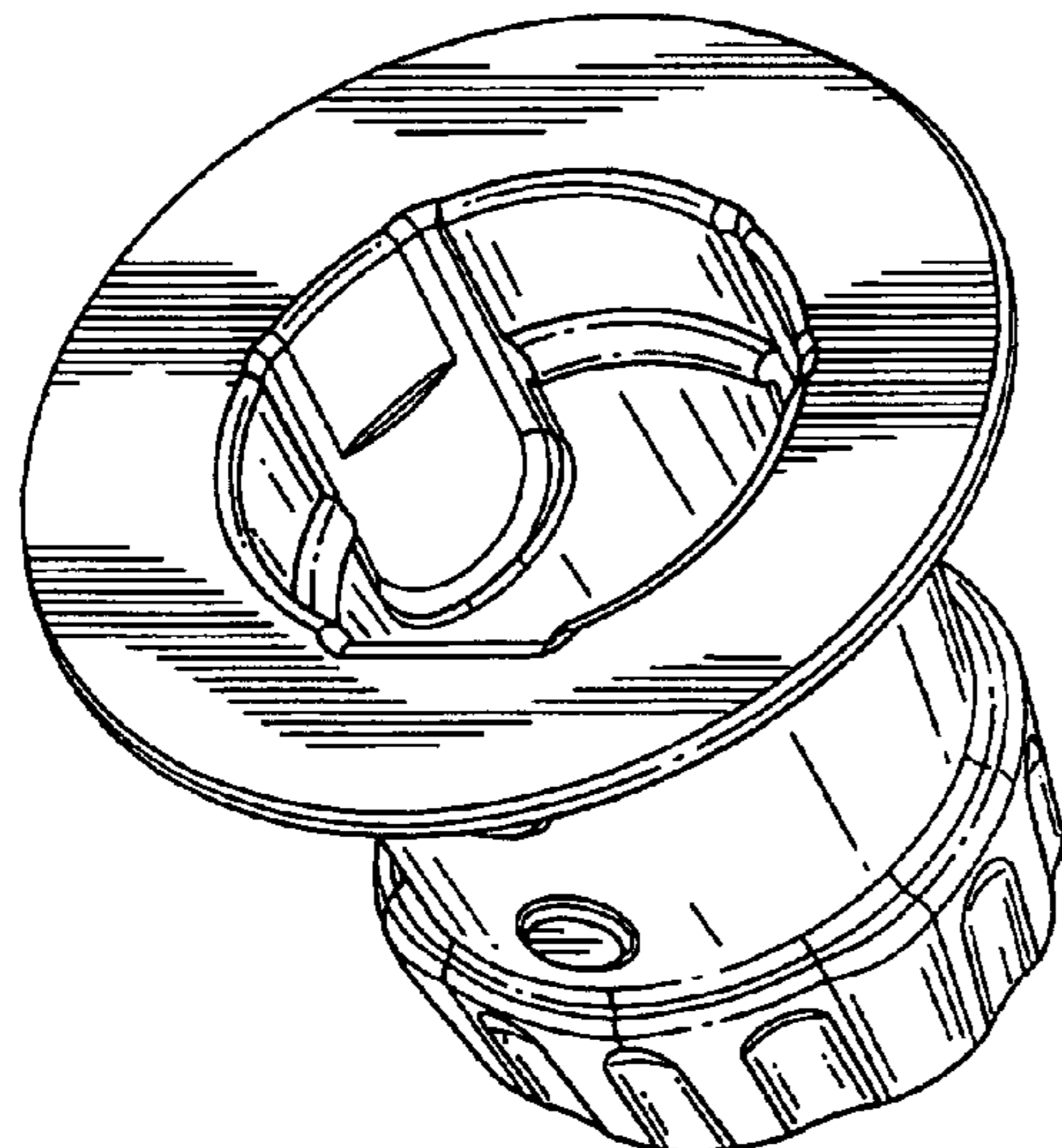
FIG. 5 is a plan view of said handhold of FIG. 1 shown rotated by 120° about its longitudinal axis relative to FIG. 4;

FIG. 6 is a front elevation view of said handhold of FIG. 1; and,

FIG. 7 is a rear elevation view of said handhold of FIG. 1.

The broken lines immediately adjacent the claimed areas represent the bounds of the claimed design while all other broken lines are directed to environment and are for illustrative purposes only; the broken lines form no part of the claimed design.

1 Claim, 3 Drawing Sheets



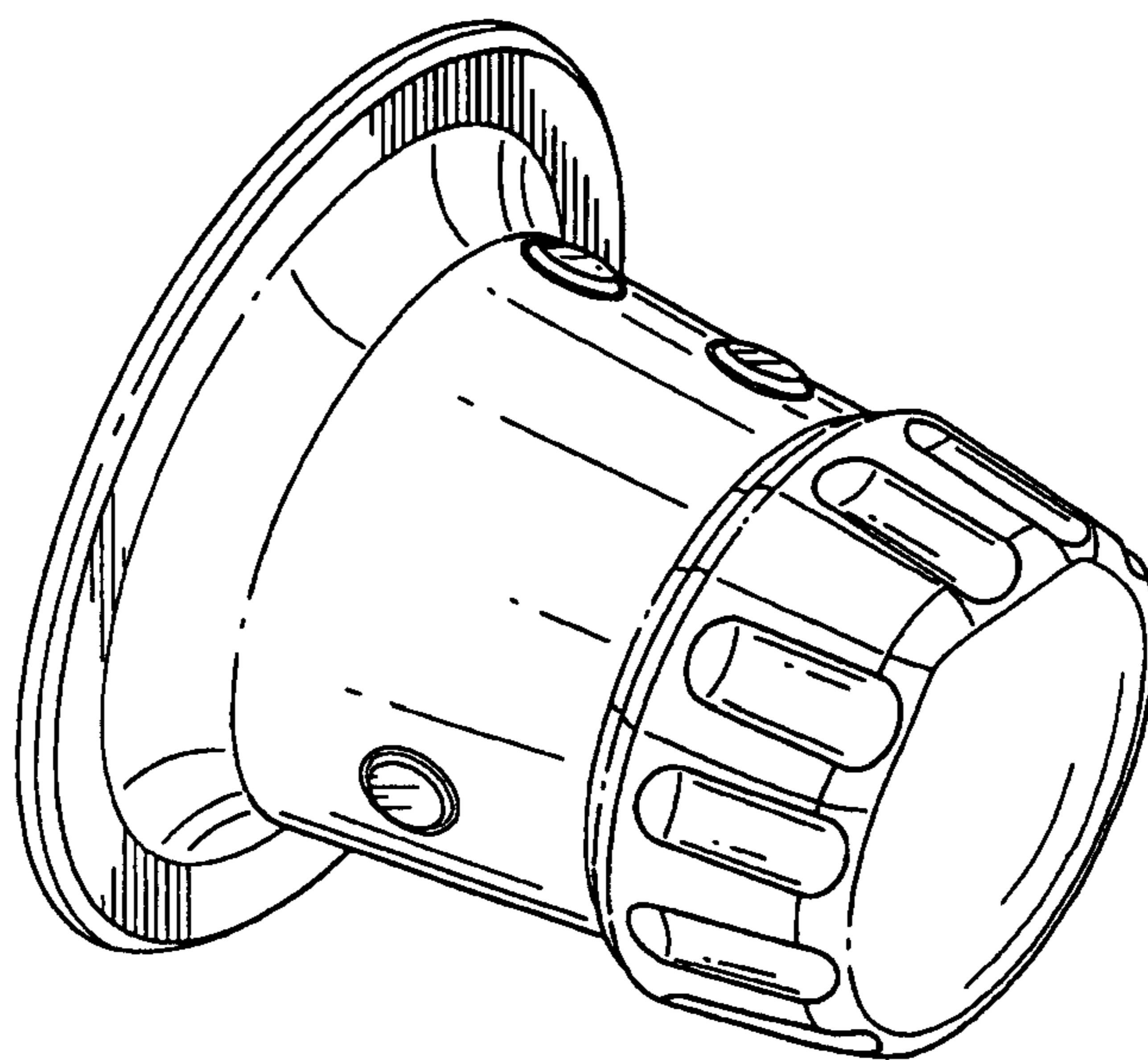


FIG. 1

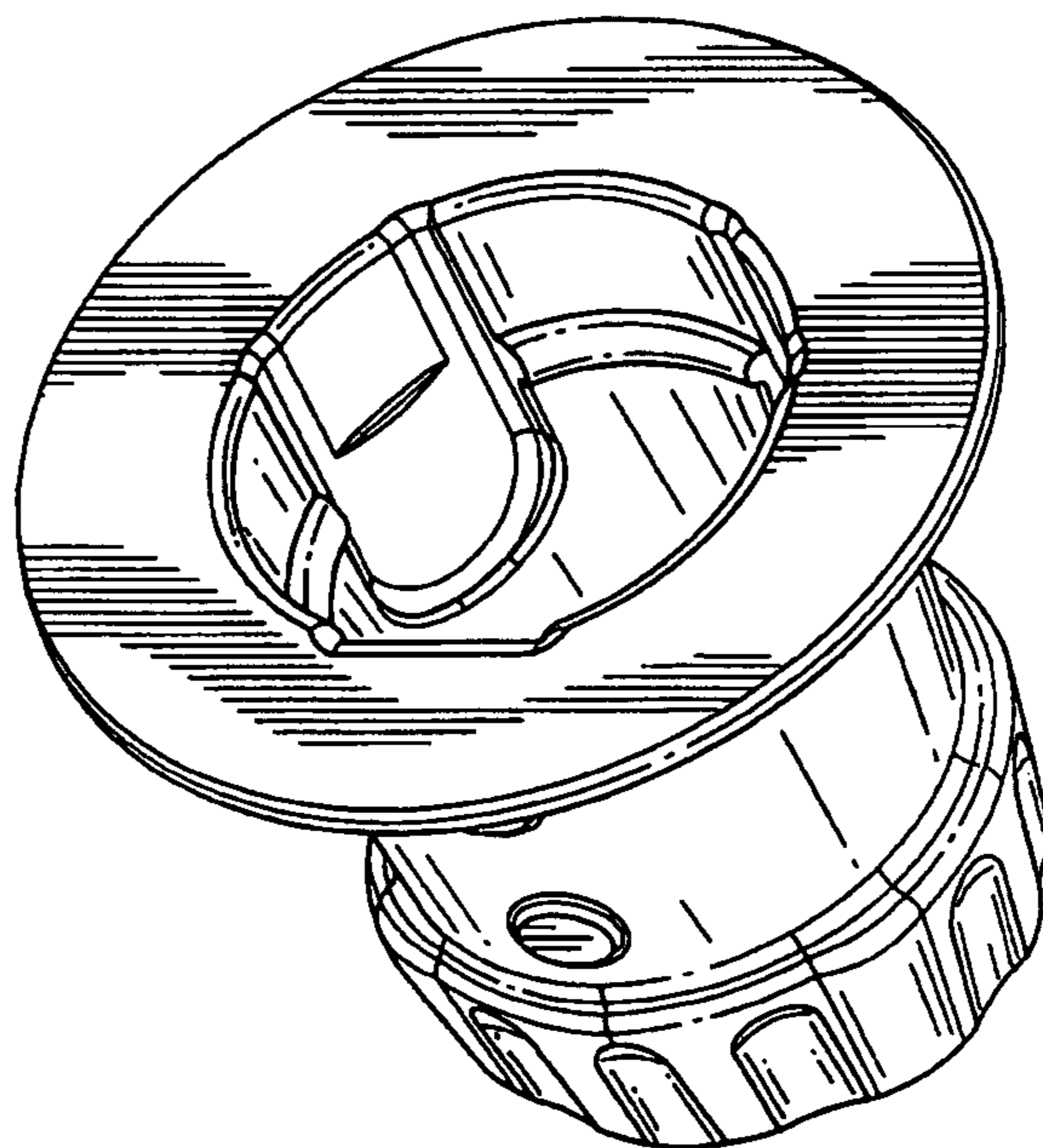


FIG. 2

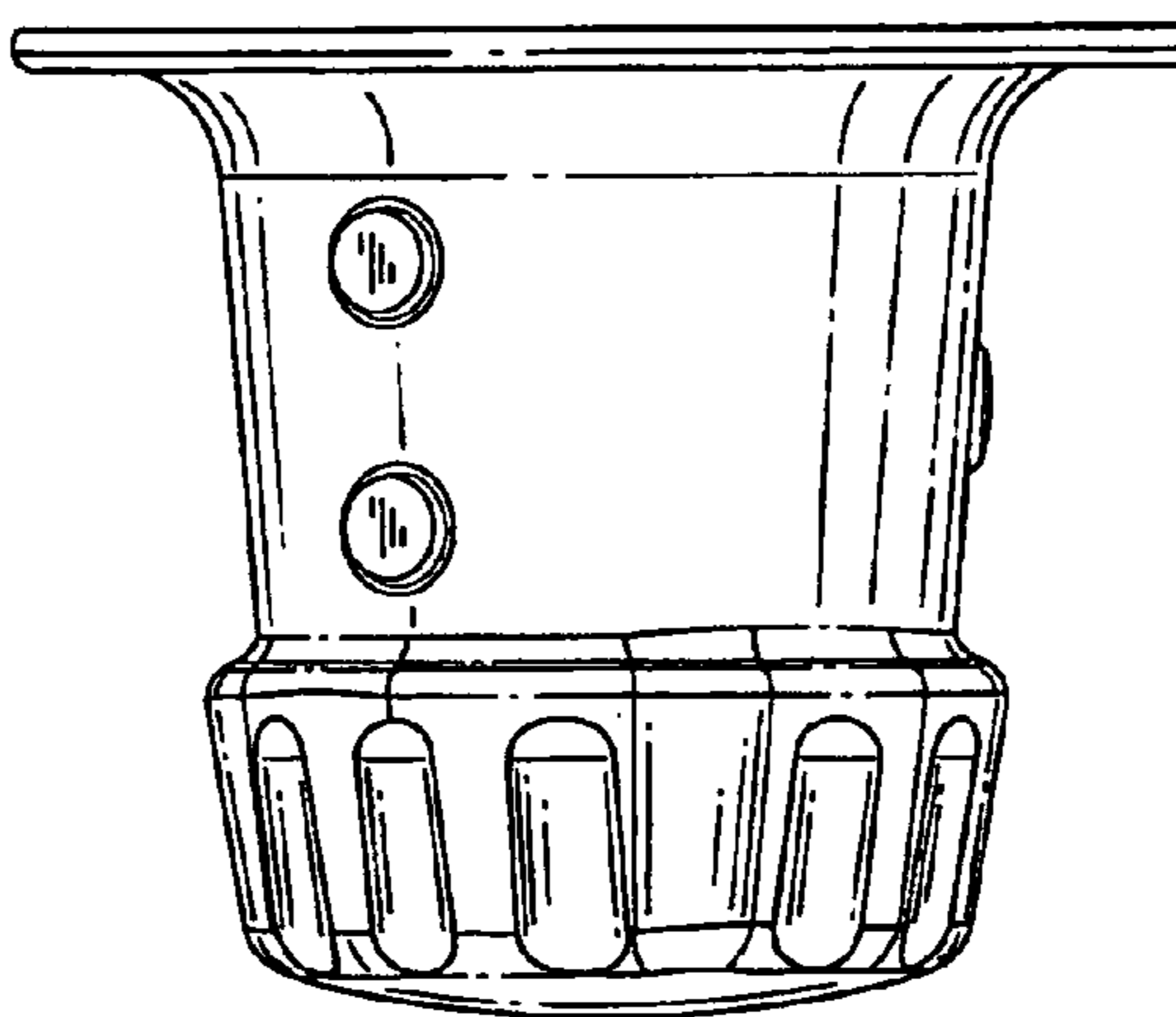


FIG. 3

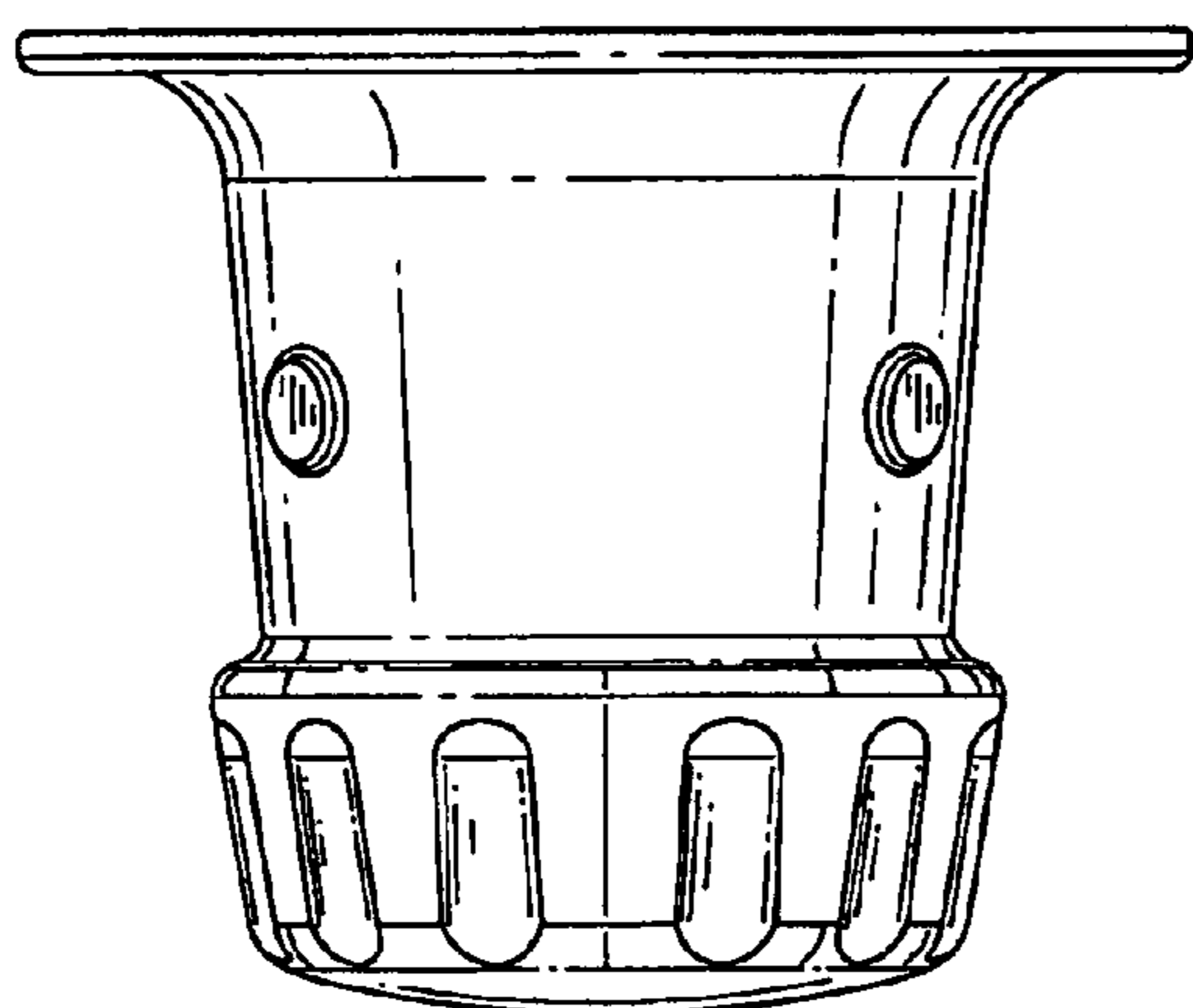


FIG. 4

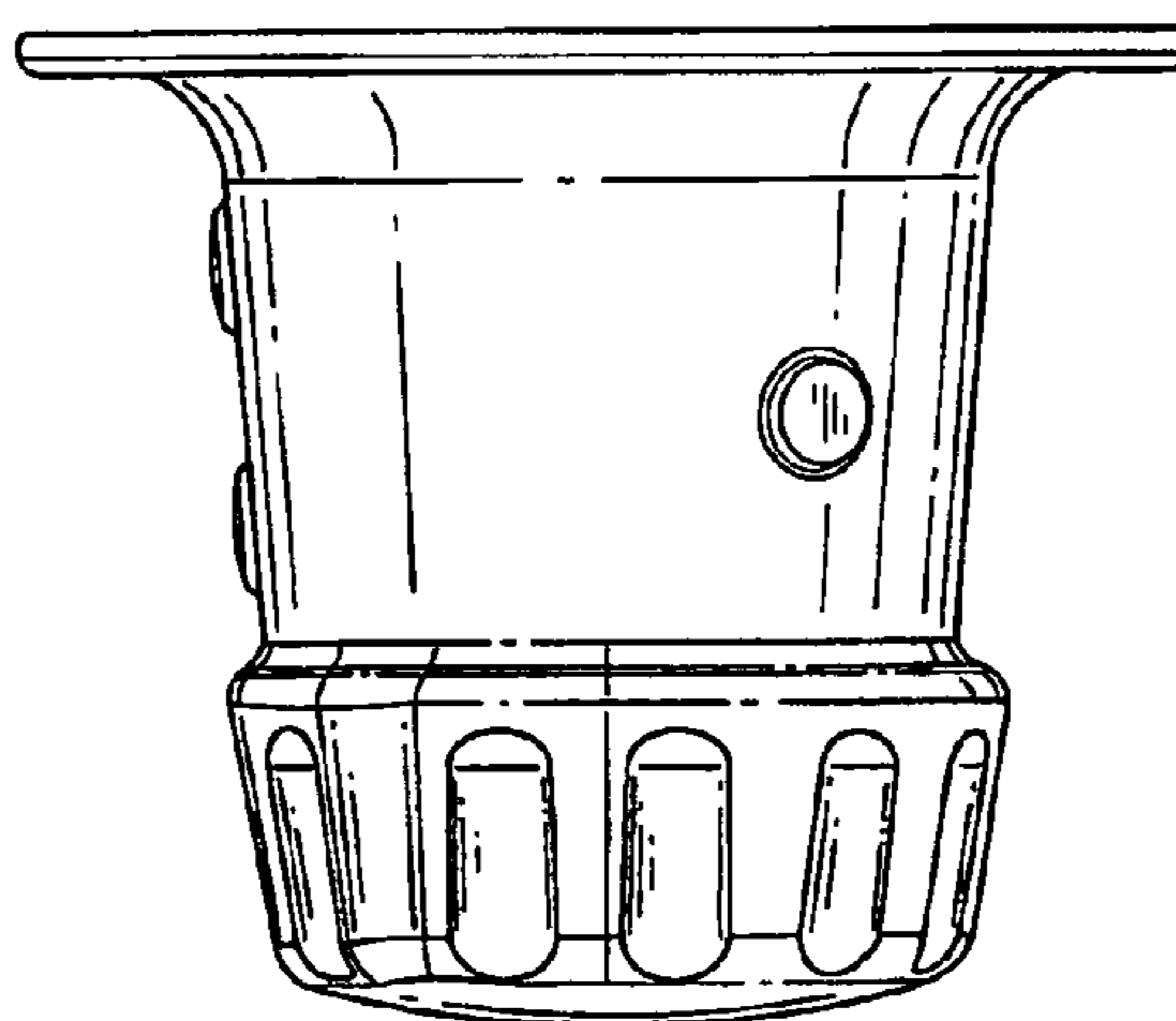


FIG. 5

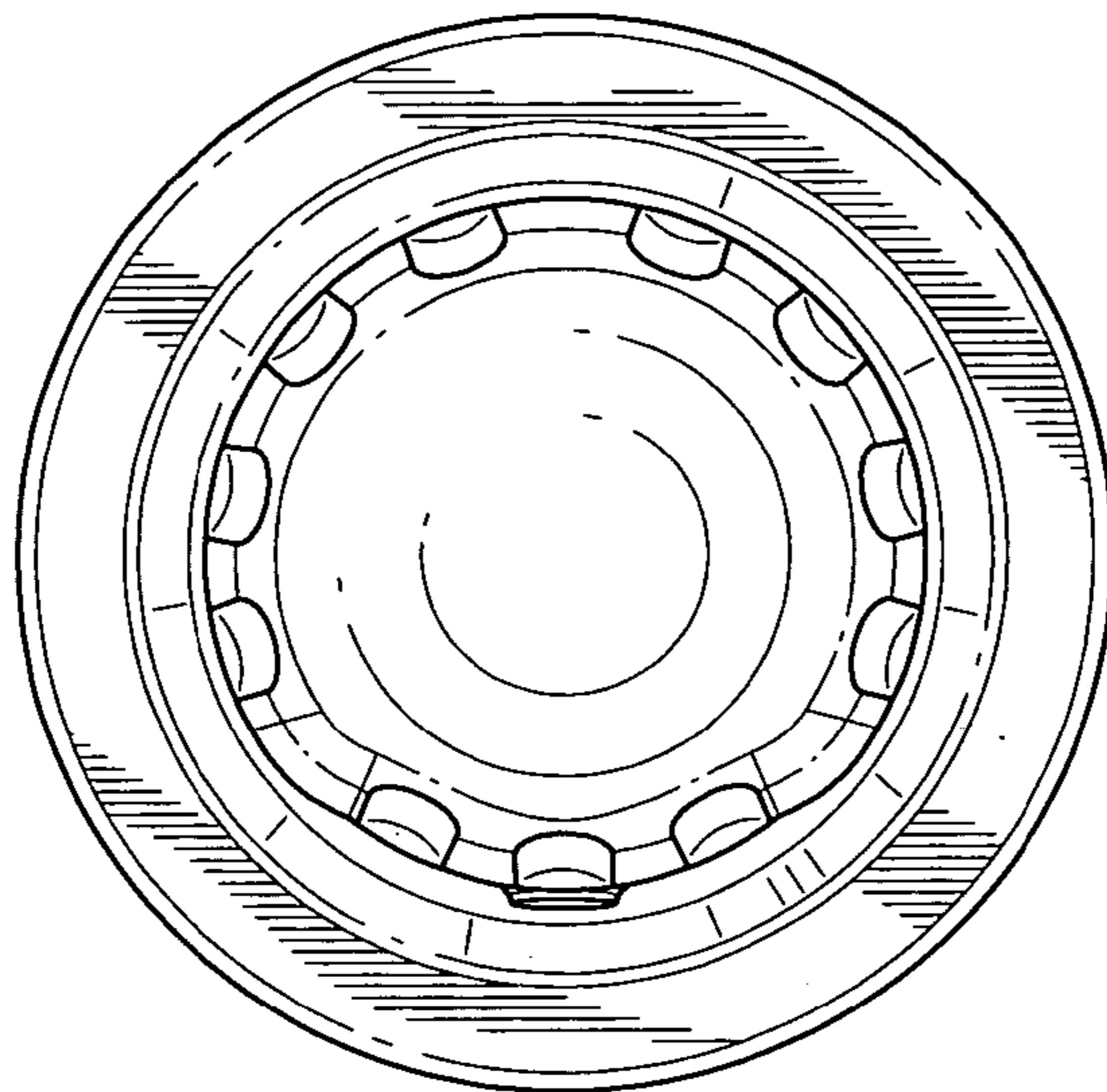


FIG. 6

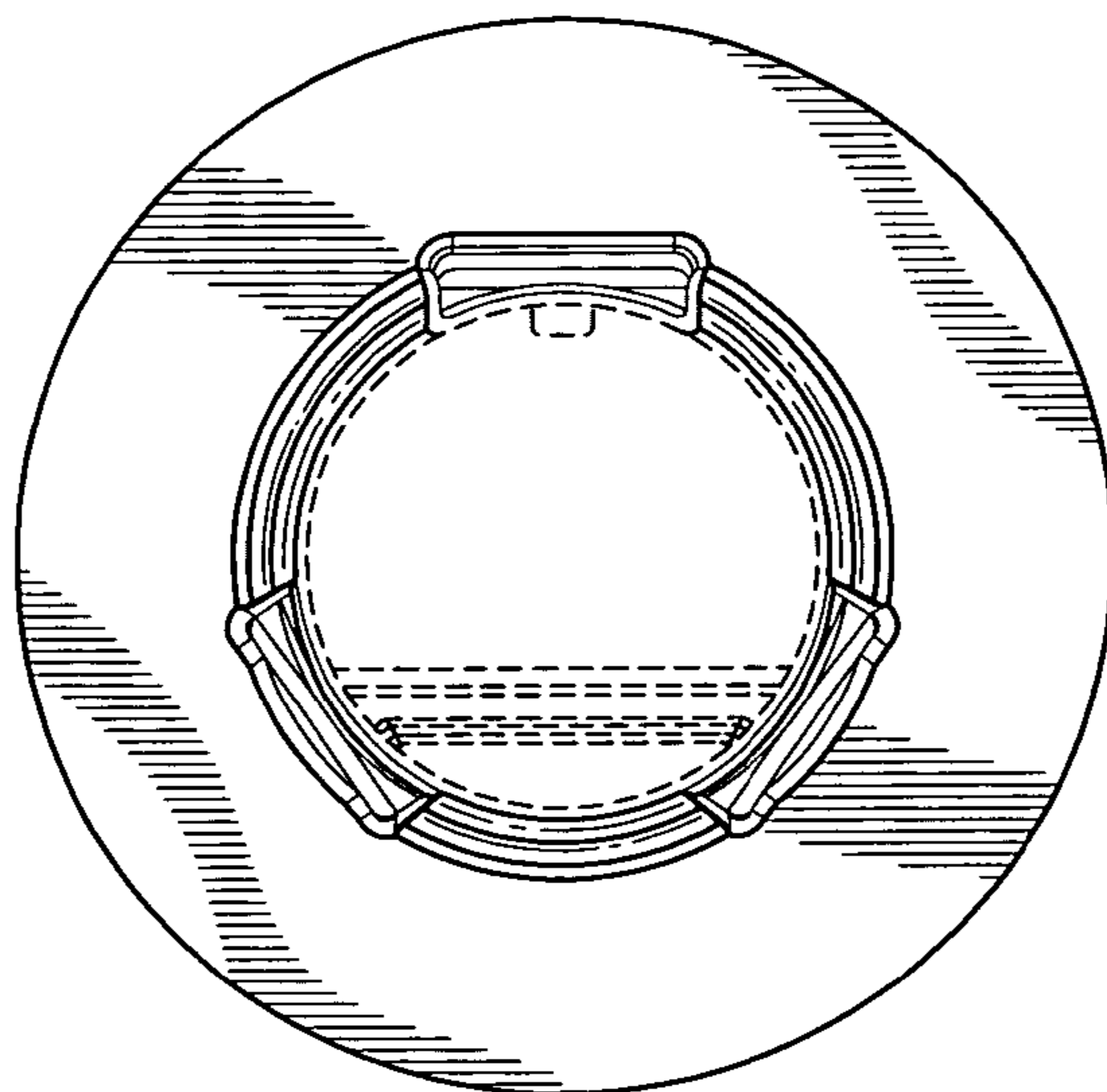


FIG. 7