



US00D629893S

(12) **United States Design Patent**  
**Humes**

(10) **Patent No.:** **US D629,893 S**

(45) **Date of Patent:** **\*\* \*Dec. 28, 2010**

(54) **MEDICAL DEVICE CONNECTOR**

(75) Inventor: **H. David Humes**, Ann Arbor, MI (US)

(73) Assignee: **CytoPherx, Inc**, Ann Arbor, MI (US)

(\*) Notice: This patent is subject to a terminal disclaimer.

(\*\*) Term: **14 Years**

(21) Appl. No.: **29/336,096**

(22) Filed: **Apr. 28, 2009**

(51) **LOC (9) Cl.** ..... **24-02**

(52) **U.S. Cl.** ..... **D24/129**

(58) **Field of Classification Search** ..... D24/107,  
D24/108, 111, 112, 113, 127, 129, 130, 169;  
95/261; 137/625.11, 625.41; 222/309; 285/3,  
285/308; 604/4.01, 5.02, 5.04, 6.01, 6.02,  
604/6.03, 6.04, 6.05, 6.06, 6.07, 27, 80, 83,  
604/93.01, 95.02, 246, 247, 248, 249, 264,  
604/502, 523

See application file for complete search history.

(56) **References Cited**

**U.S. PATENT DOCUMENTS**

39,662	A *	8/1863	Lockwood	.....	604/185
453,628	A *	6/1891	Durand	.....	137/147
2,720,879	A *	10/1955	Gasca et al.	.....	604/5.04
2,962,688	A *	11/1960	Werner	.....	439/320
D239,020	S *	3/1976	Manschot	.....	D24/129
4,326,519	A *	4/1982	D'Alo et al.	.....	604/165.04
D268,871	S *	5/1983	Benham et al.	.....	D24/129
D277,583	S *	2/1985	Kono	.....	D16/130
4,650,471	A *	3/1987	Tamari	.....	604/153
D298,605	S *	11/1988	Colgan et al.	.....	D8/382
4,813,937	A *	3/1989	Vaillancourt	.....	604/131
4,840,613	A *	6/1989	Balbierz	.....	604/533
4,867,743	A *	9/1989	Vaillancourt	.....	604/135

4,867,809	A *	9/1989	Haverstick	.....	148/101
D315,139	S *	3/1991	Blaha	.....	D13/150

(Continued)

**OTHER PUBLICATIONS**

Giant Non-Luer Connector #91001, as shown in the 2009 Qosina catalog, dated Jun. 26, 2008. See page 5, at arrow.\*

(Continued)

*Primary Examiner*—Elizabeth A Albert

*Assistant Examiner*—Karen E Eldridge Powers

(74) *Attorney, Agent, or Firm*—Goodwin Procter LLP

(57) **CLAIM**

The ornamental design for a medical device connector, as shown and described.

**DESCRIPTION**

FIG. 1 is a top view of a medical device connector incorporating my design;

FIG. 2 is a front elevation of the medical device connector;

FIG. 3 is a bottom view of the medical device connector;

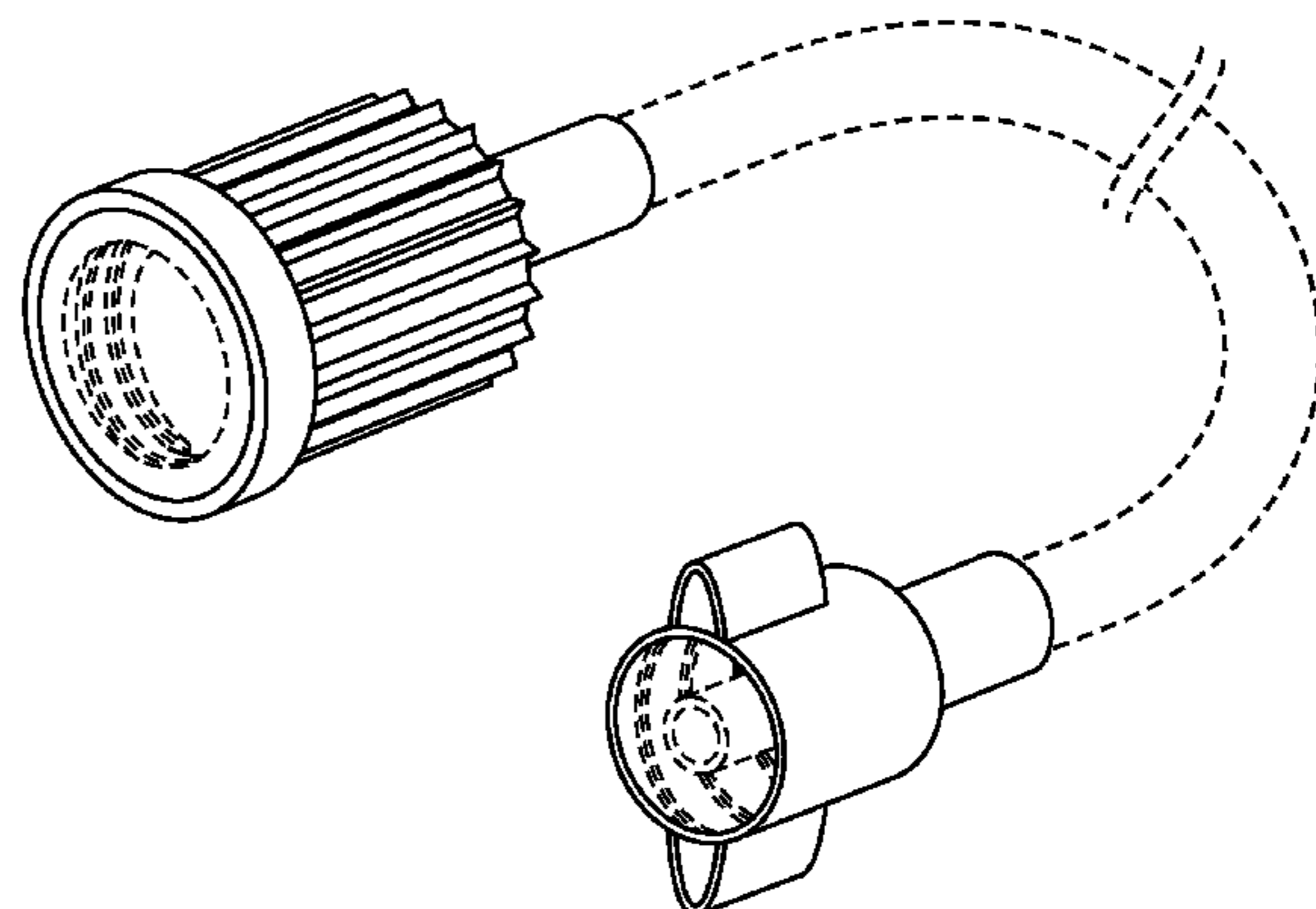
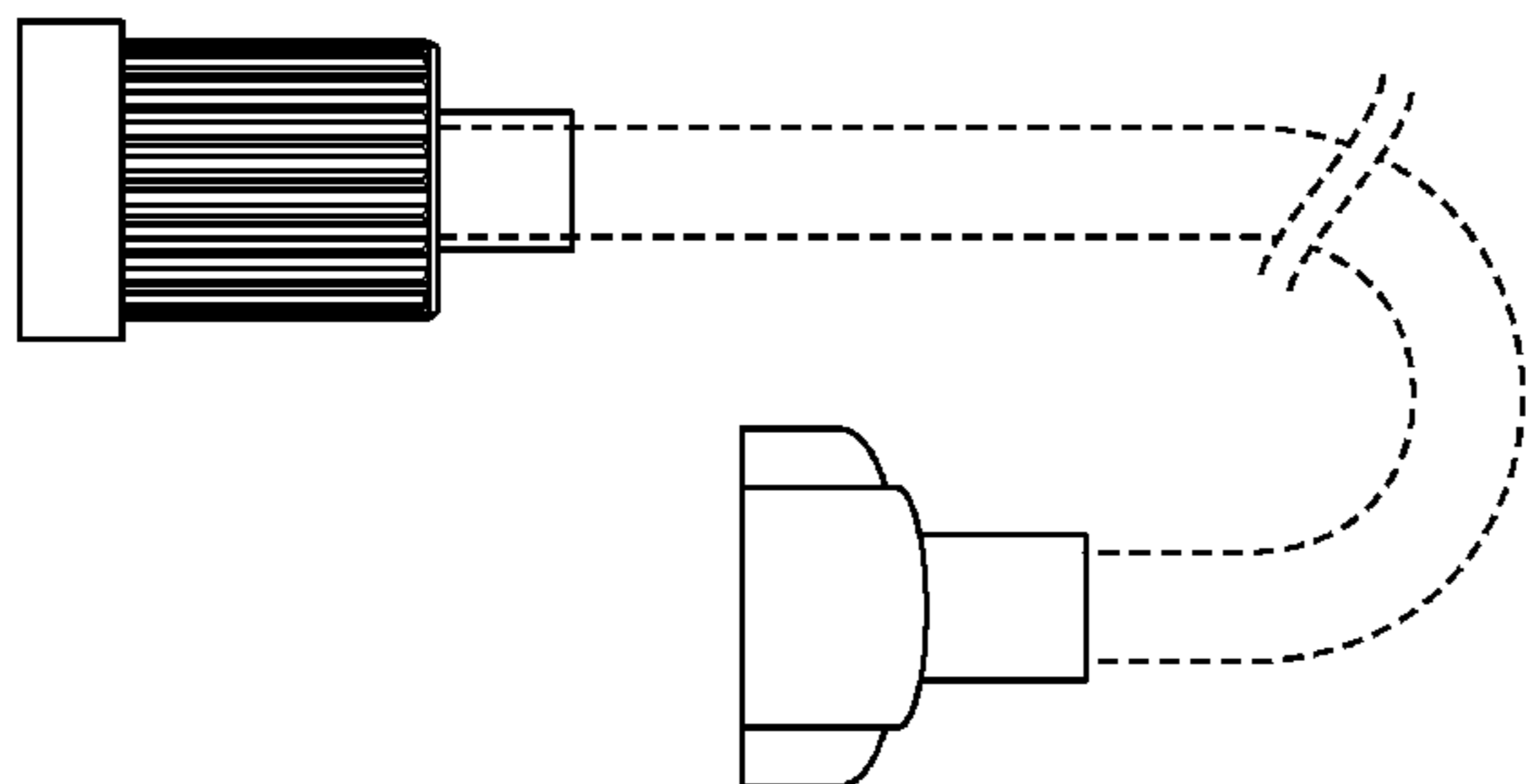
FIG. 4 is a right-side elevation of the medical device connector;

FIG. 5 is a left-side elevation of the medical device connector; and,

FIG. 6 is a perspective view of the medical device connector.

The broken lines depicting the flexible tube and the interior structure of the fittings illustrate those portions of the article which are environment. The “S-break” broken lines indicate that the medical tubing shown is of no particular length. None of the broken lines form part of the claimed design.

**1 Claim, 6 Drawing Sheets**



U.S. PATENT DOCUMENTS

D315,143 S \* 3/1991 Blaha ..... D13/150  
 D322,775 S \* 12/1991 Nagasaka et al. .... D13/147  
 D326,084 S \* 5/1992 Nagasaka et al. .... D13/147  
 D327,318 S \* 6/1992 Dudar et al. .... D24/112  
 5,286,067 A \* 2/1994 Choksi ..... 285/38  
 D345,962 S \* 4/1994 Clifton et al. .... D13/150  
 5,693,008 A \* 12/1997 Brugger et al. .... 604/4.01  
 D390,829 S \* 2/1998 Kato ..... D13/147  
 5,792,094 A \* 8/1998 Stevens et al. .... 604/4.01  
 5,800,402 A \* 9/1998 Bierman ..... 604/180  
 5,810,781 A \* 9/1998 Bierman ..... 604/174  
 5,922,994 A \* 7/1999 Robinson et al. .... 174/87  
 5,947,931 A \* 9/1999 Bierman ..... 604/180  
 D425,677 S \* 5/2000 Williamson ..... D32/25  
 6,106,498 A \* 8/2000 Friedli et al. .... 604/153  
 6,248,087 B1 \* 6/2001 Spears et al. .... 604/6.14  
 6,551,298 B1 \* 4/2003 Zhang et al. .... 604/403  
 6,655,555 B1 \* 12/2003 Yankoglu et al. .... 222/380  
 6,682,499 B2 \* 1/2004 Lenker ..... 604/4.01  
 6,790,195 B2 \* 9/2004 Steele et al. .... 604/6.02  
 D502,923 S \* 3/2005 Thompson et al. .... D13/150  
 7,040,393 B2 \* 5/2006 Adams et al. .... 166/77.51  
 7,223,253 B2 \* 5/2007 Hogendijk ..... 604/6.12  
 7,378,594 B2 \* 5/2008 Bigelow et al. .... 174/84 R

D587,202 S \* 2/2009 Dobler ..... D13/133  
 2005/0118059 A1 \* 6/2005 Olsen et al. .... 422/44  
 2005/0148924 A1 \* 7/2005 Goehl et al. .... 604/6.16  
 2006/0150970 A1 \* 7/2006 Lampotang et al. .... 128/203.12  
 2007/0093762 A1 \* 4/2007 Utterberg et al. .... 604/256  
 2007/0129705 A1 \* 6/2007 Trombley et al. .... 604/523  
 2008/0047330 A1 \* 2/2008 Whitehouse et al. .... 73/61.48  
 2008/0077118 A1 \* 3/2008 Bierman ..... 604/523  
 2008/0275399 A1 \* 11/2008 Gomez Amor ..... 604/167.05  
 2009/0036820 A1 \* 2/2009 Dakin et al. .... 604/9  
 2009/0312824 A1 \* 12/2009 Dean et al. .... 607/109  
 2010/0087771 A1 \* 4/2010 Karakama et al. .... 604/6.1

OTHER PUBLICATIONS

Giant Non-Luer Connector #91001, as shown in 2007 Qosina catalog (p. 9).\*

Connector provided by Fresenius Medical Care AG & Co., or an affiliated company, to Nephros Therapeutics, Inc. (a Michigan corporation), a predecessor of RenaMed Biologics, Inc., in the fall/winter of 1996. (2 pages of photographs).

Qosina Part No. 91001, PVC Male Connector for "Bloodline Kit Components, Connectors," as shown on Qosina web page at <http://www.qosina.com/catalog/part.asp?partno=91001> (Screen-shot dated Apr. 27, 2009). (2 pages).

\* cited by examiner

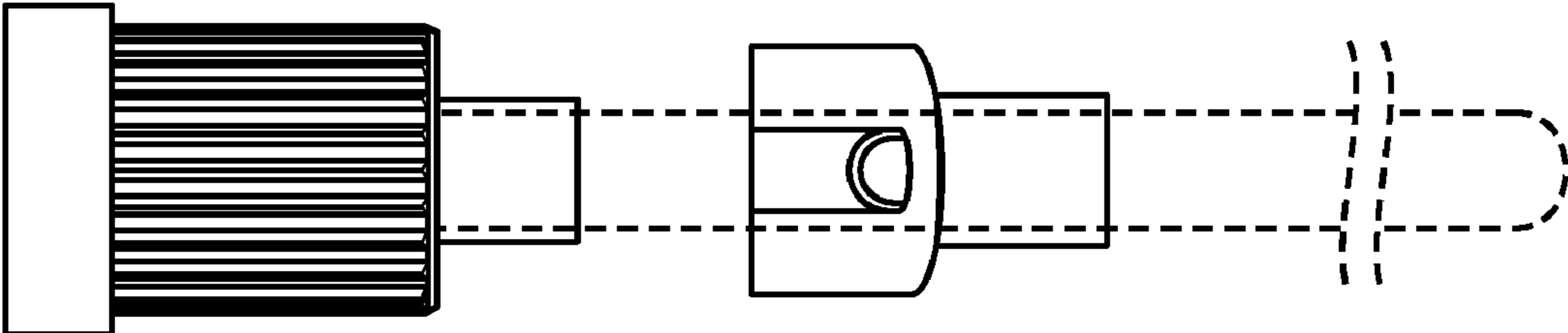


FIG. 1

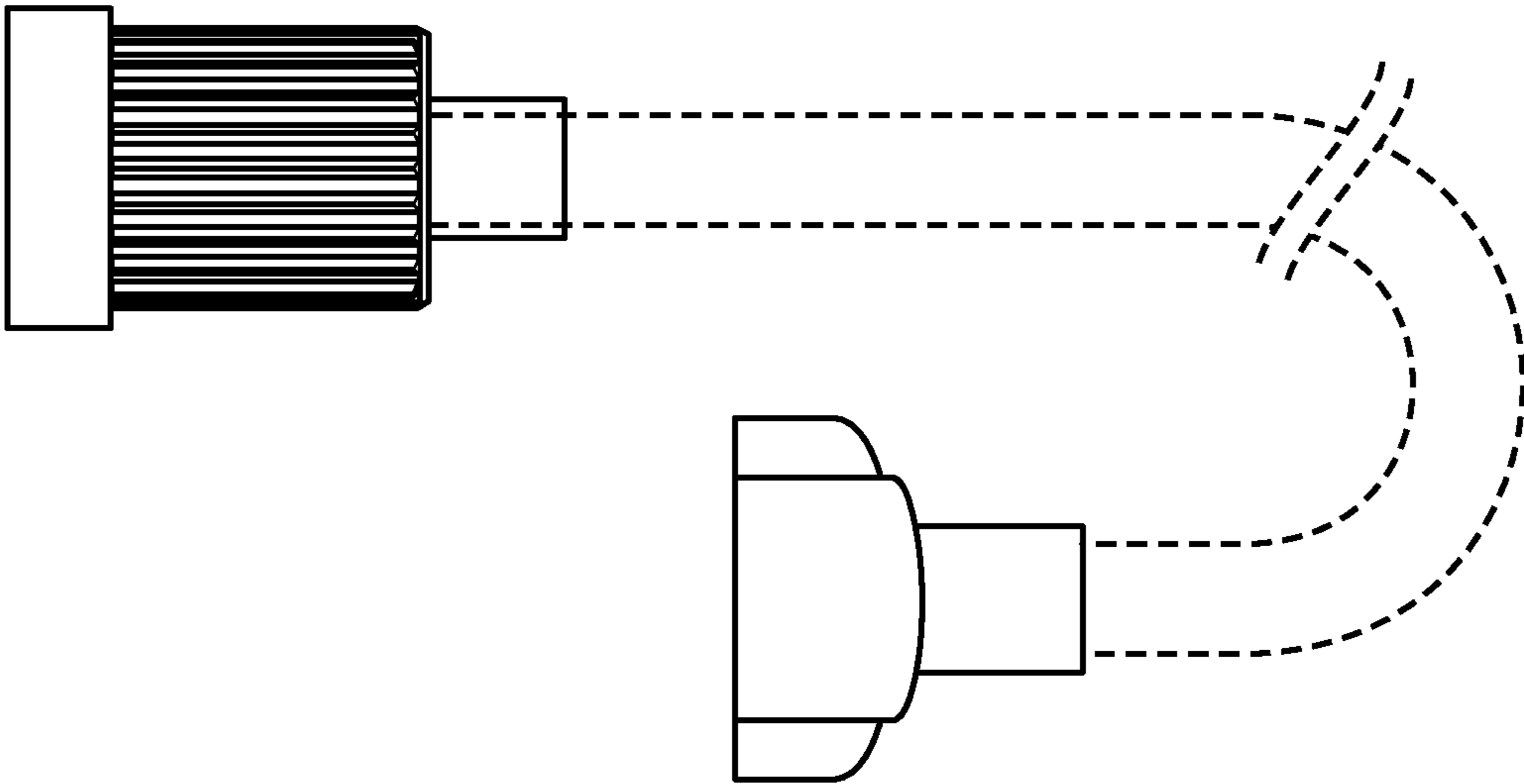


FIG. 2

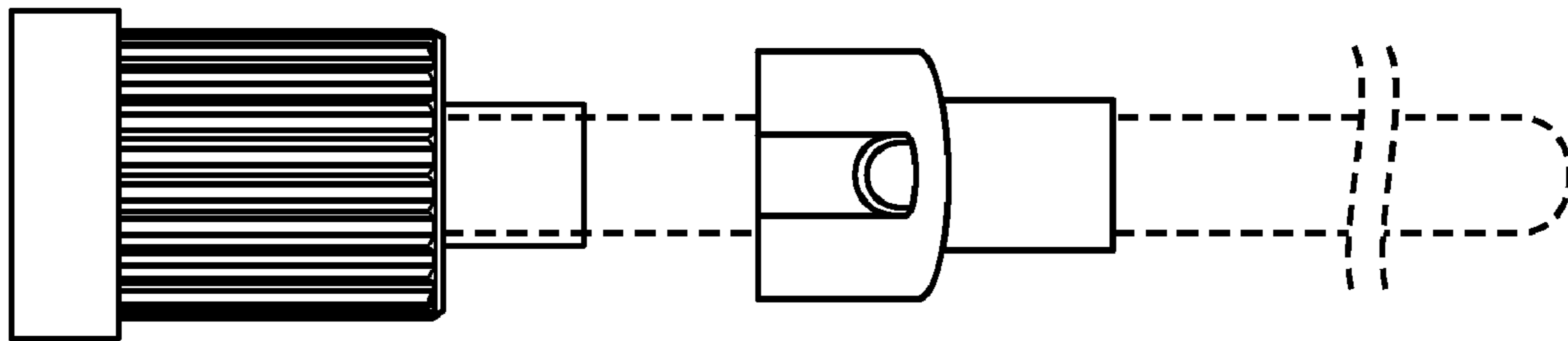


FIG. 3

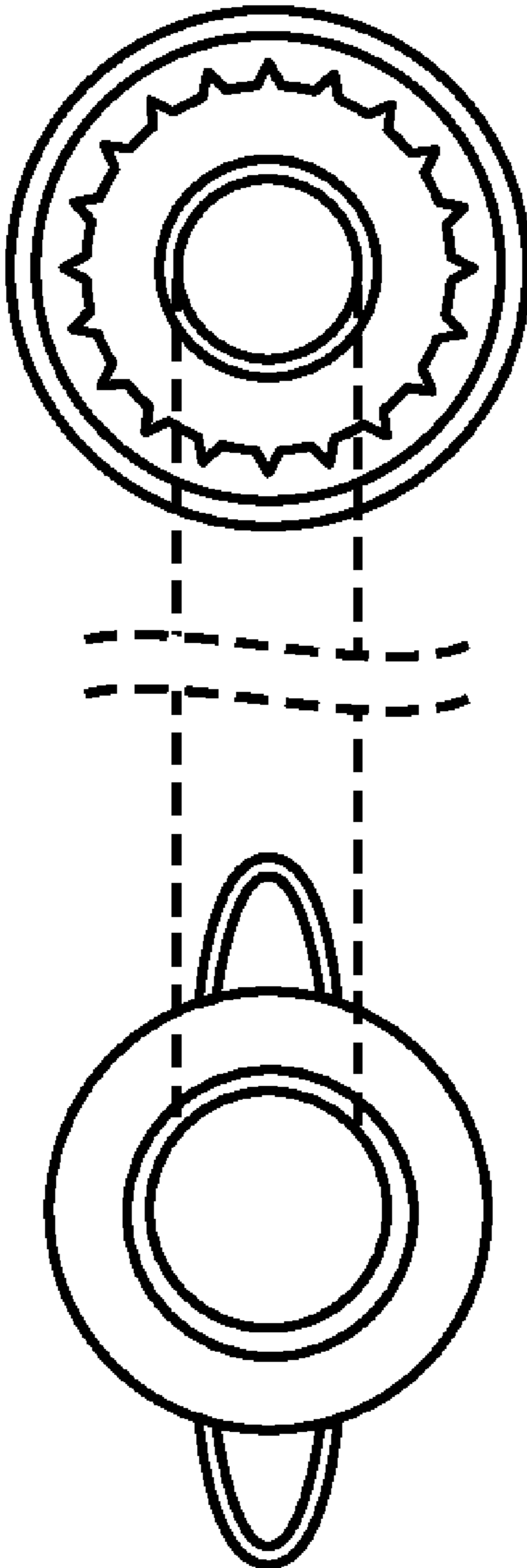


FIG. 4

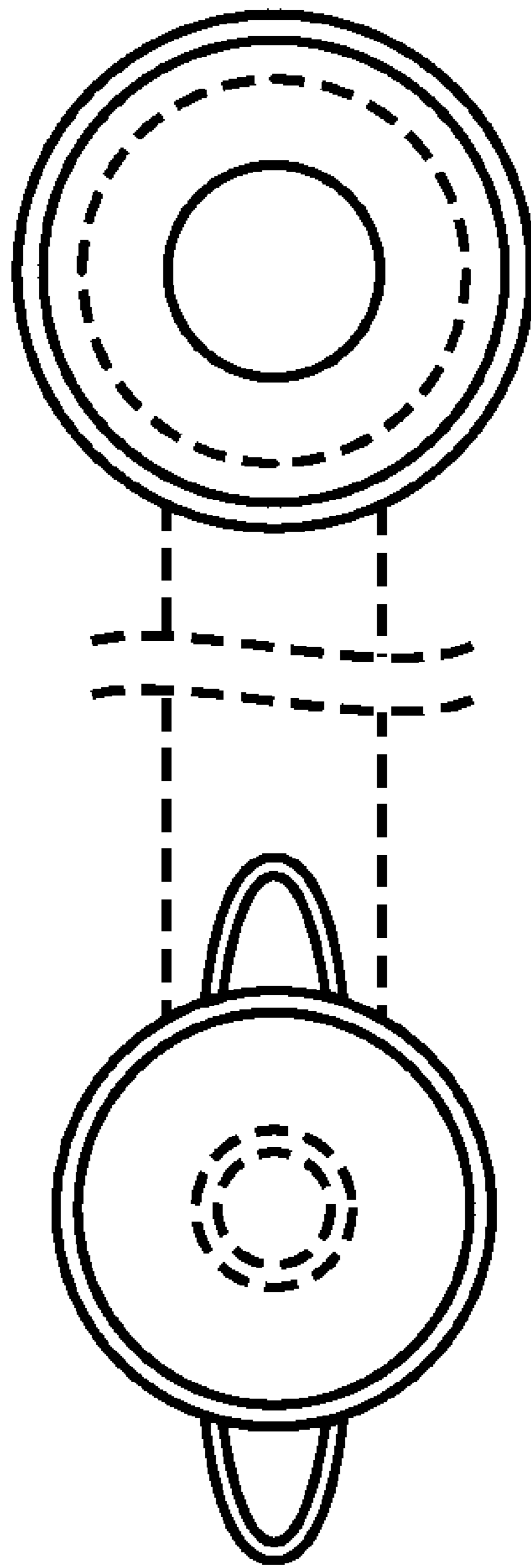


FIG. 5

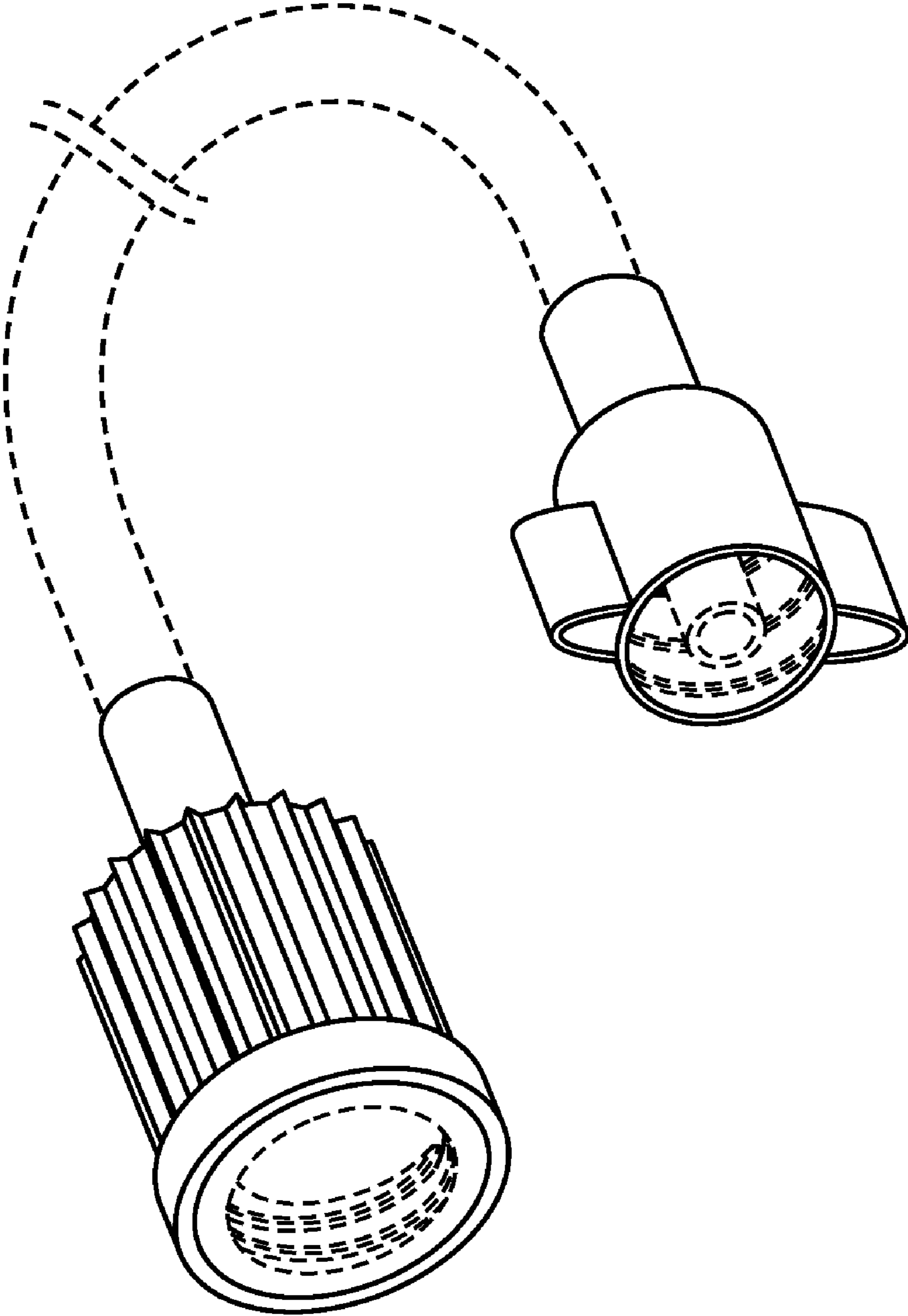


FIG. 6