



US00D629892S

(12) **United States Design Patent**
Hill et al.

(10) **Patent No.:** **US D629,892 S**
(45) **Date of Patent:** **** Dec. 28, 2010**

(54) **CUFF FOR AIR DELIVERY TUBE**

2008/0210236 A1* 9/2008 Richard et al. 128/204.23
2009/0025724 A1* 1/2009 Herron, Jr. 128/204.18

(75) Inventors: **Phoebe Katherine Hill**, Neutral Bay (AU); **Nathan John Row**, Coogee (AU); **Nicholas Earl**, Kanwal (AU); **Mark Bertinetti**, Ermington (AU); **Alexander Virr**, Balmain (AU)

FOREIGN PATENT DOCUMENTS

WO WO 2010031126 3/2010

(73) Assignee: **ResMed Limited**, Bella Vista (AU)

(**) Term: **14 Years**

OTHER PUBLICATIONS

(21) Appl. No.: **29/311,404**

CPAP Tubing, 6 ft (CPAP-6G), as shown on www.myrespiratorysupply.com, viewed Apr. 13, 2010 and review of same dated May 10, 2007 (3 pages).*

(22) Filed: **Mar. 5, 2009**

(51) **LOC (9) Cl.** **24-02**

(52) **U.S. Cl.** **D24/129**

(58) **Field of Classification Search** D24/107, D24/110, 110.4, 110.5, 110.6, 127, 128, 129, D24/164; 128/200.24, 201.22, 202.27, 203.27, 128/204.18, 205.25, 206.15, 206.21; 138/121, 138/122; 156/143; 285/260; 604/27

See application file for complete search history.

(Continued)

Primary Examiner—Elizabeth A Albert
Assistant Examiner—Karen E Eldridge Powers
(74) *Attorney, Agent, or Firm*—Nixon & Vanderhye P.C.

(56) **References Cited**

U.S. PATENT DOCUMENTS

2,045,540	A *	6/1936	Debenedetti	156/143
2,073,335	A *	3/1937	Connell	138/122
2,516,864	A	8/1950	Gilmore	
2,954,802	A *	10/1960	Duff	138/122
3,163,707	A *	12/1964	Darling	174/47
3,224,444	A *	12/1965	Dempster	128/204.26
D302,040	S *	7/1989	Lambert	D24/164
D360,027	S *	7/1995	Psaros	D23/359
6,575,944	B1 *	6/2003	McNary et al.	604/264
6,923,184	B1 *	8/2005	Russo	128/207.14
6,953,354	B2	10/2005	Edirisuriya	
7,195,018	B1 *	3/2007	Goldstein	128/207.18
7,597,100	B2 *	10/2009	Ging et al.	128/204.18
2006/0283461	A1 *	12/2006	Lubke et al.	128/207.11
2007/0000492	A1 *	1/2007	Hansel et al.	128/204.23
2007/0095350	A1 *	5/2007	Darkin et al.	128/206.24
2007/0277828	A1 *	12/2007	Ho et al.	128/206.21
2008/0105257	A1 *	5/2008	Klasek et al.	128/203.27

(57) **CLAIM**

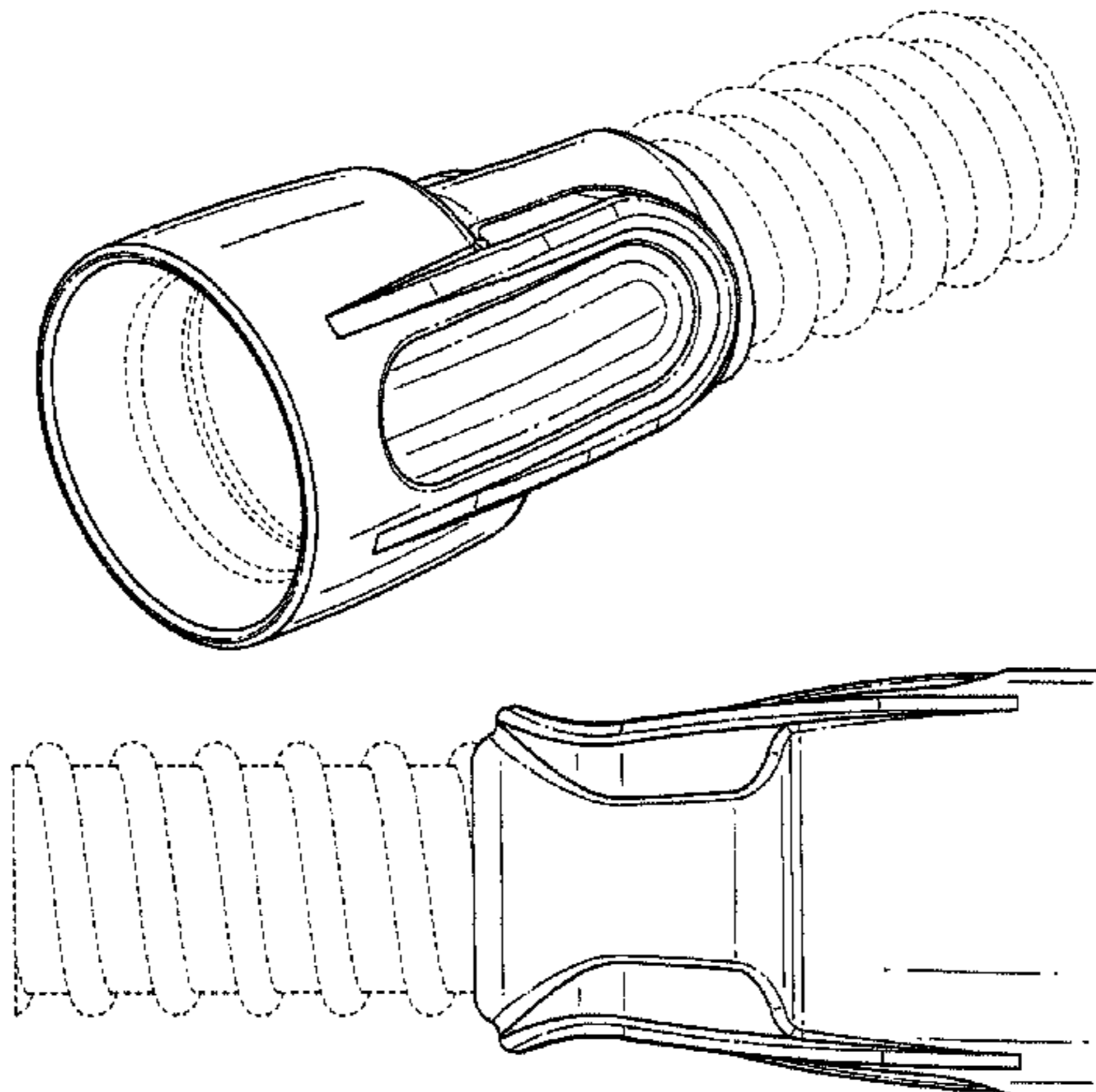
The ornamental design for a cuff for air delivery tube, as shown and described.

DESCRIPTION

FIG. 1 is a perspective view of a cuff for air delivery tube showing our new design;
FIG. 2 is a top view thereof, with the bottom view being a mirror image thereto;
FIG. 3 is a front view thereof, with the rear view being a mirror image thereof;
FIG. 4 is a right side view thereof;
FIG. 5 is a left side view thereof; and,
FIG. 6 is a reverse perspective view thereof.

The broken lines represent environmental structure of the cuff and do not form a part of the claimed design.

1 Claim, 4 Drawing Sheets



OTHER PUBLICATIONS

Row et al., U.S. Appl. No. 29/311,222, filed Jan. 22, 2009.
Virr et al., U.S. Appl. No. 29/311,183, filed Jan. 12, 2009.
Row et al., U.S. Appl. No. 12/461,967, filed Aug. 28, 2009.

Row et al., U.S. Appl. No. 61/202,907, filed Apr. 17, 2009.
Virr et al., U.S. Appl. No. 61/097,765, filed Sep. 17, 2008.
Virr et al., U.S. Appl. No. 61/226,134, filed Jul. 16, 2009.

* cited by examiner

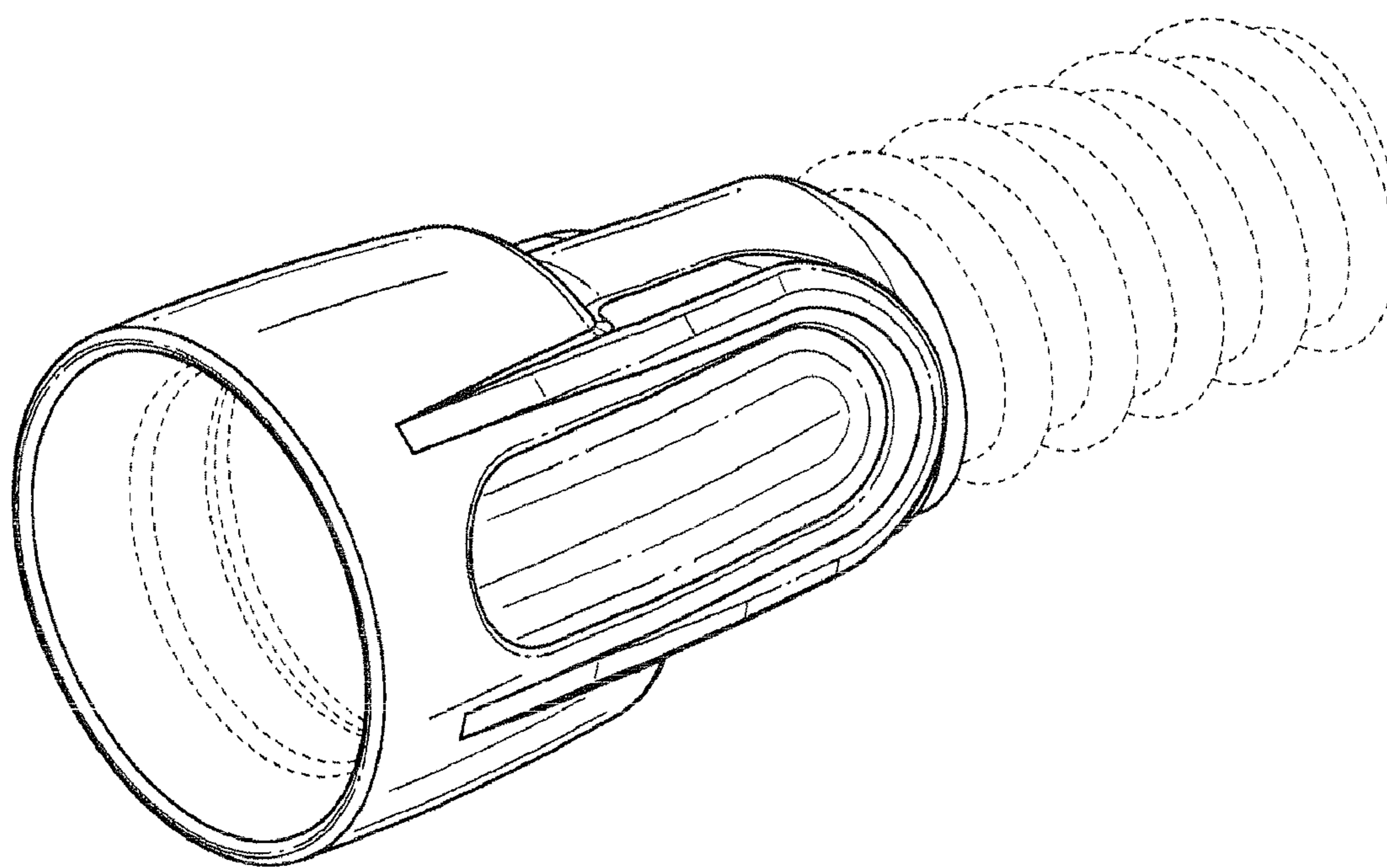


FIG. 1

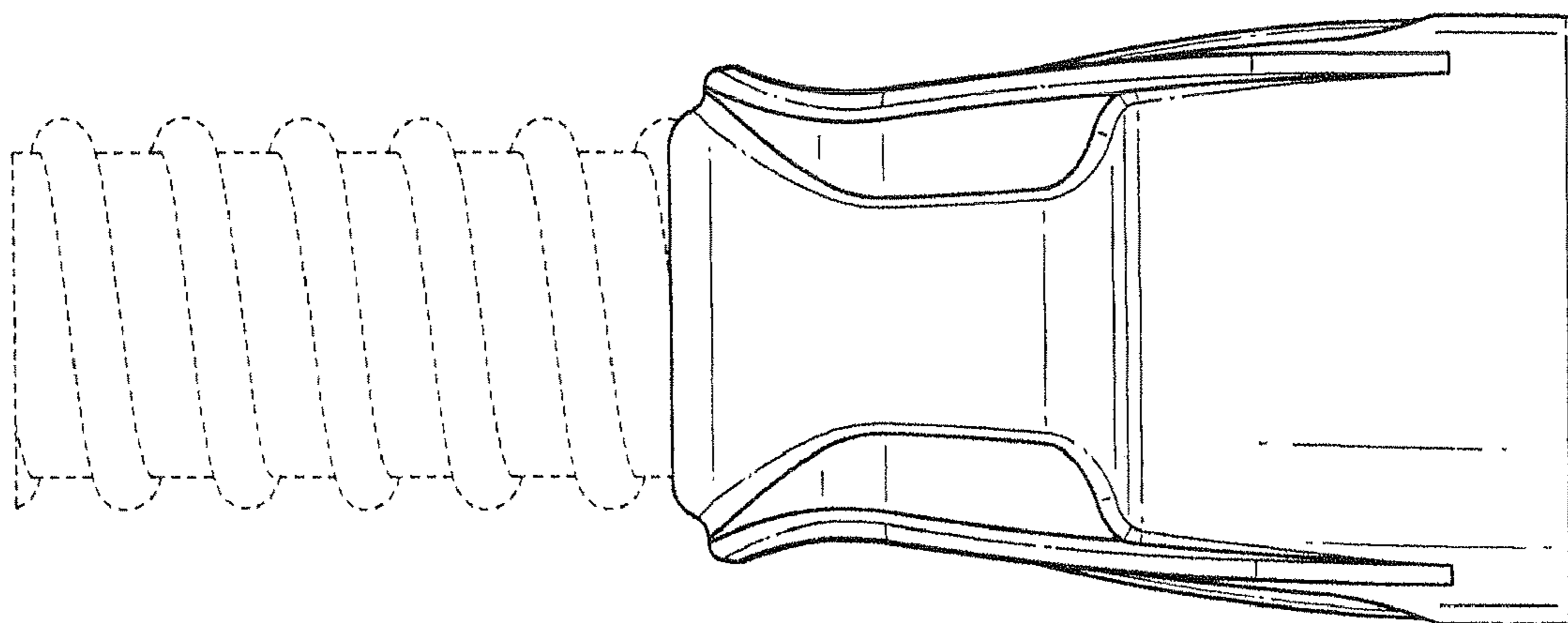


FIG. 2

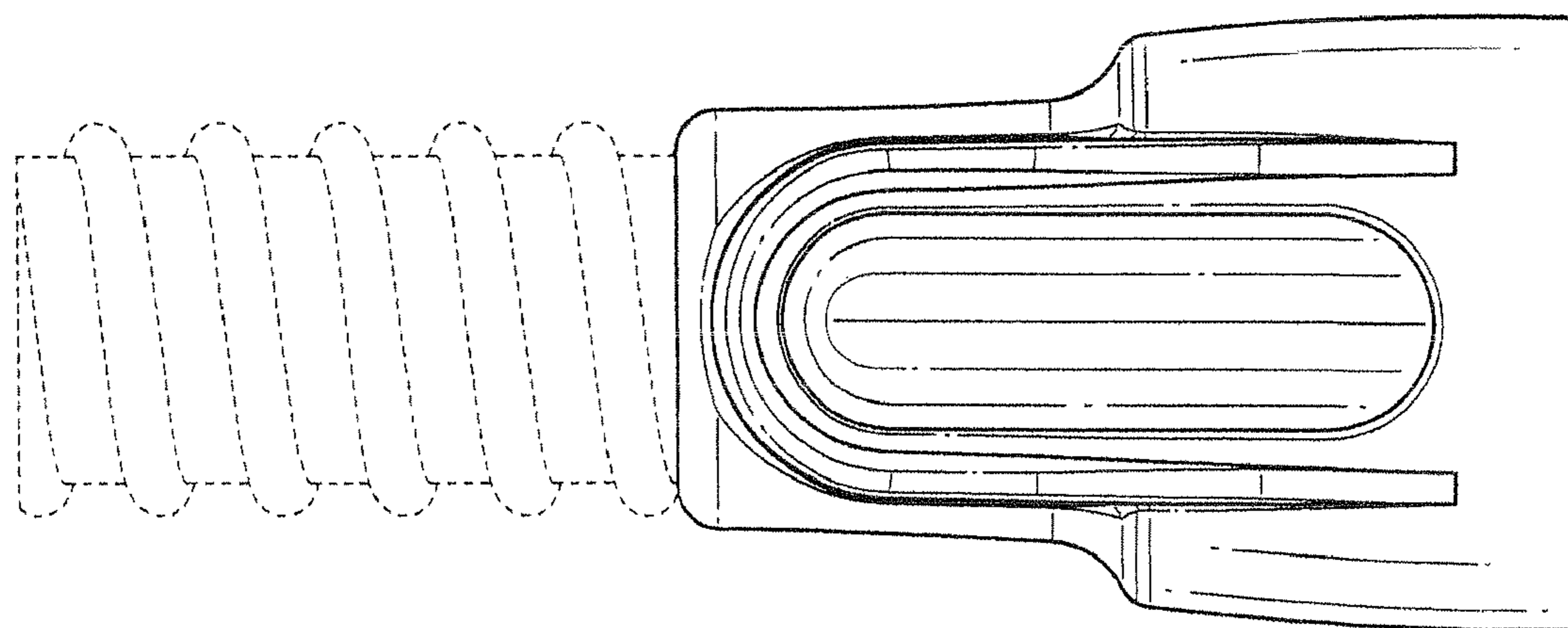


FIG. 3

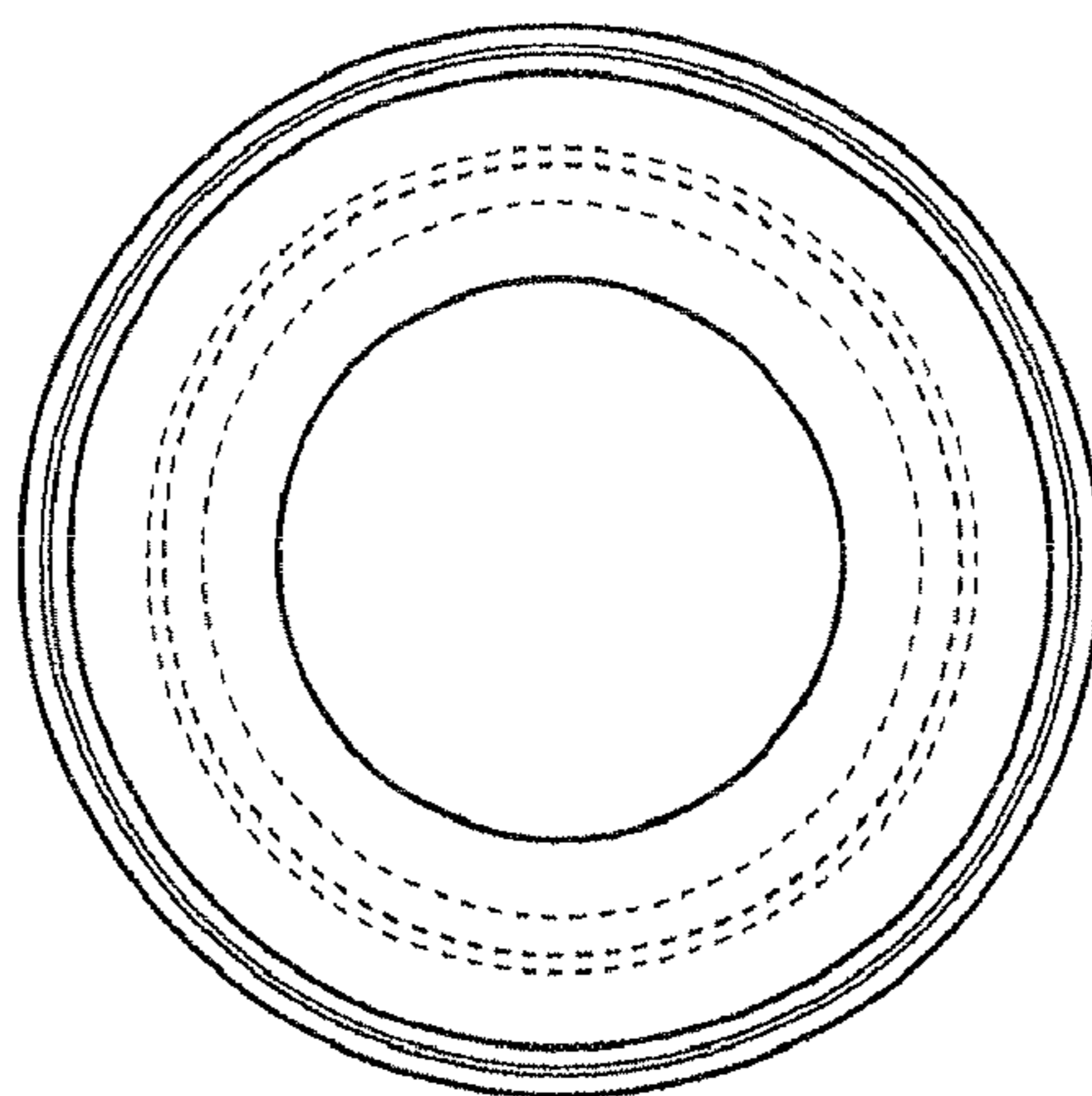


FIG. 4

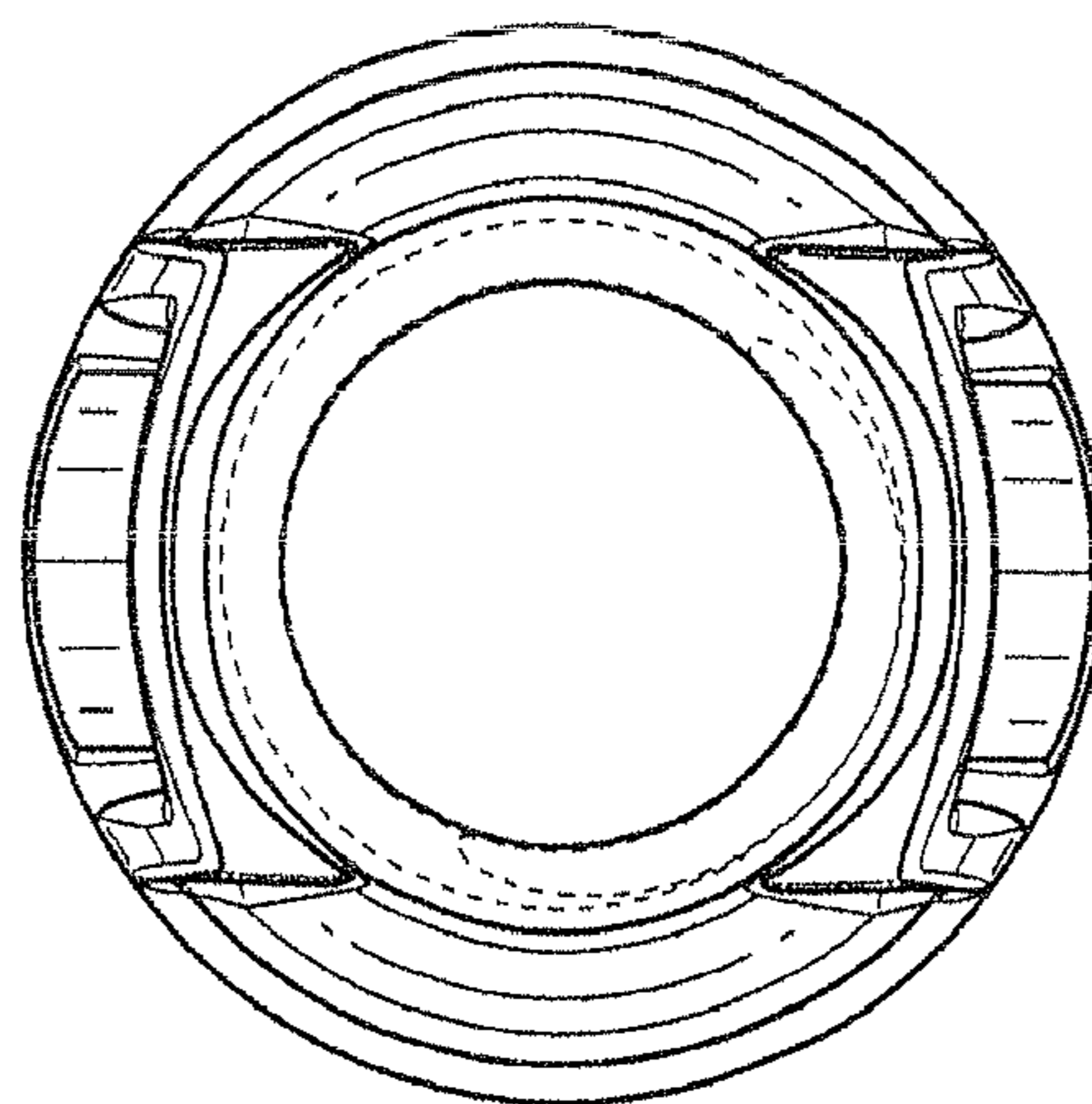


FIG. 5

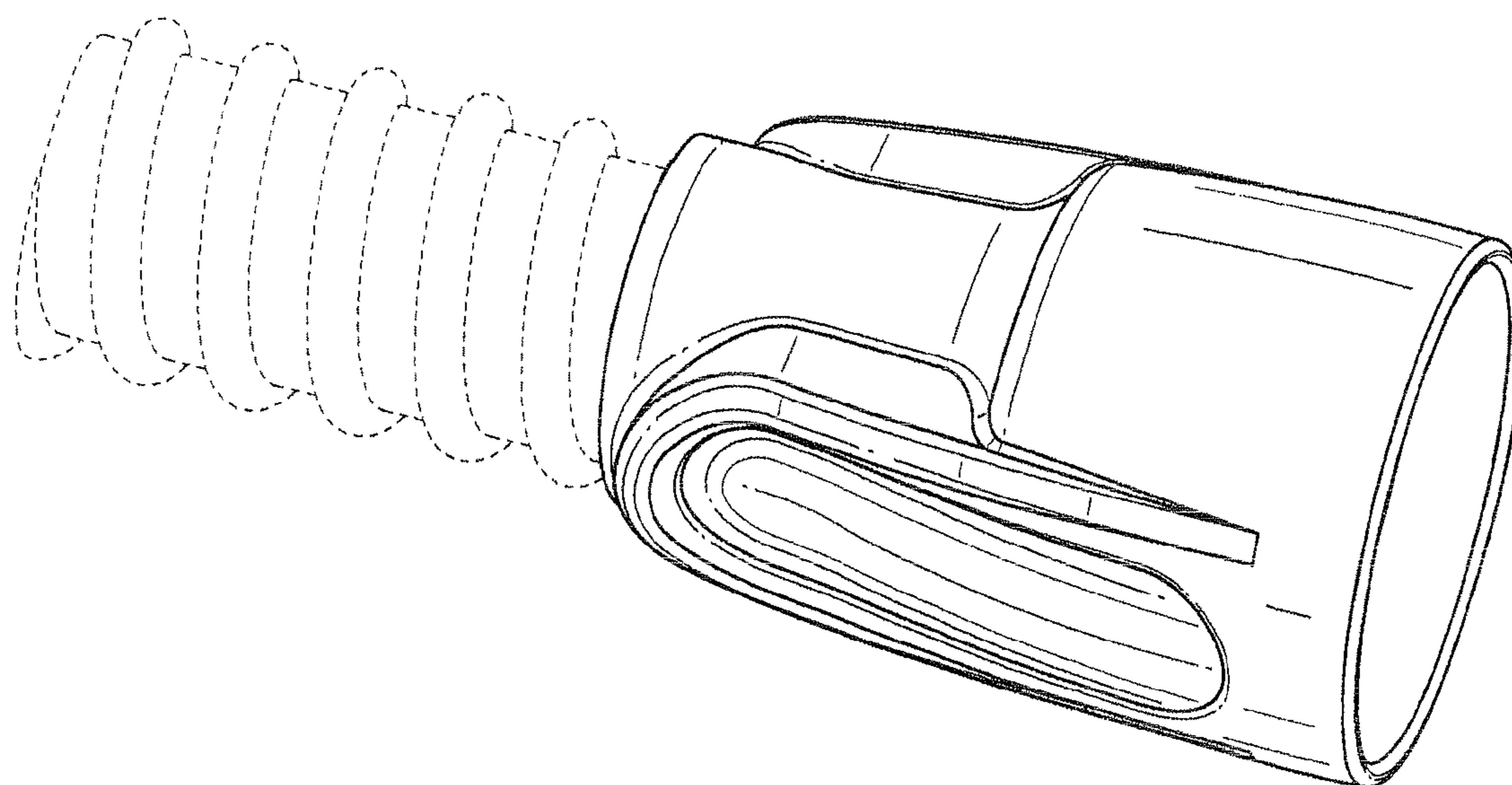


FIG. 6