



US00D629883S

(12) **United States Design Patent**
Kimura et al.

(10) **Patent No.:** **US D629,883 S**

(45) **Date of Patent:** **** Dec. 28, 2010**

(54) **AIR OUTLET**

(75) Inventors: **Keiichi Kimura**, Osaka (JP); **Mitsuo Morita**, Osaka (JP); **Kazuyuki Kasahara**, Osaka (JP); **Katsuhiko Urano**, Osaka (JP)

(73) Assignee: **Kimura Kohki Co., Ltd.**, Osaka-shi, Osaka (JP)

(**) Term: **14 Years**

(21) Appl. No.: **29/366,785**

(22) Filed: **Jul. 29, 2010**

Related U.S. Application Data

(63) Continuation of application No. 29/343,803, filed on Sep. 18, 2009, now abandoned.

(30) **Foreign Application Priority Data**

Mar. 26, 2009 (JP) 2009-006769

(51) **LOC (9) Cl.** **23-04**

(52) **U.S. Cl.** **D23/388**

(58) **Field of Classification Search** D23/385-395, D23/397, 370-373, 351, 354, 399-403; 454/309, 454/275-277, 284, 287-291; D13/179
See application file for complete search history.

(56) **References Cited**

U.S. PATENT DOCUMENTS

- D56,410 S 10/1920 Bakstad
- D56,411 S * 10/1920 Backstad D23/385
- D256,156 S 7/1980 Garritson
- D269,117 S 5/1983 Sherrard
- D277,404 S 1/1985 Peterson et al.
- D285,830 S * 9/1986 Daily et al. D23/388
- D314,820 S 2/1991 Sullivan
- D320,650 S * 10/1991 Kujawa et al. D23/393
- D325,254 S * 4/1992 Ruuskanen D23/370

- D335,174 S * 4/1993 Anderson et al. D23/393
- D338,713 S * 8/1993 Cox et al. D23/386
- D352,550 S * 11/1994 Rothenbucher D23/386

(Continued)

FOREIGN PATENT DOCUMENTS

JP 716719 11/1987

(Continued)

Primary Examiner—David G Muller

(74) *Attorney, Agent, or Firm*—Muncy, Geissler, Olds & Lowe, PLLC

(57) **CLAIM**

The ornamental design of an air outlet, as shown and described.

DESCRIPTION

FIG. 1 is a perspective view of an air outlet according to the present invention.

FIG. 2 is a front elevational view of the air outlet of FIG. 1.

FIG. 3 is a rear elevational view of the air outlet of FIG. 1.

FIG. 4 is a left side elevational view of the air outlet of FIG. 1.

FIG. 5 is a right side elevational view of the air outlet of FIG. 1.

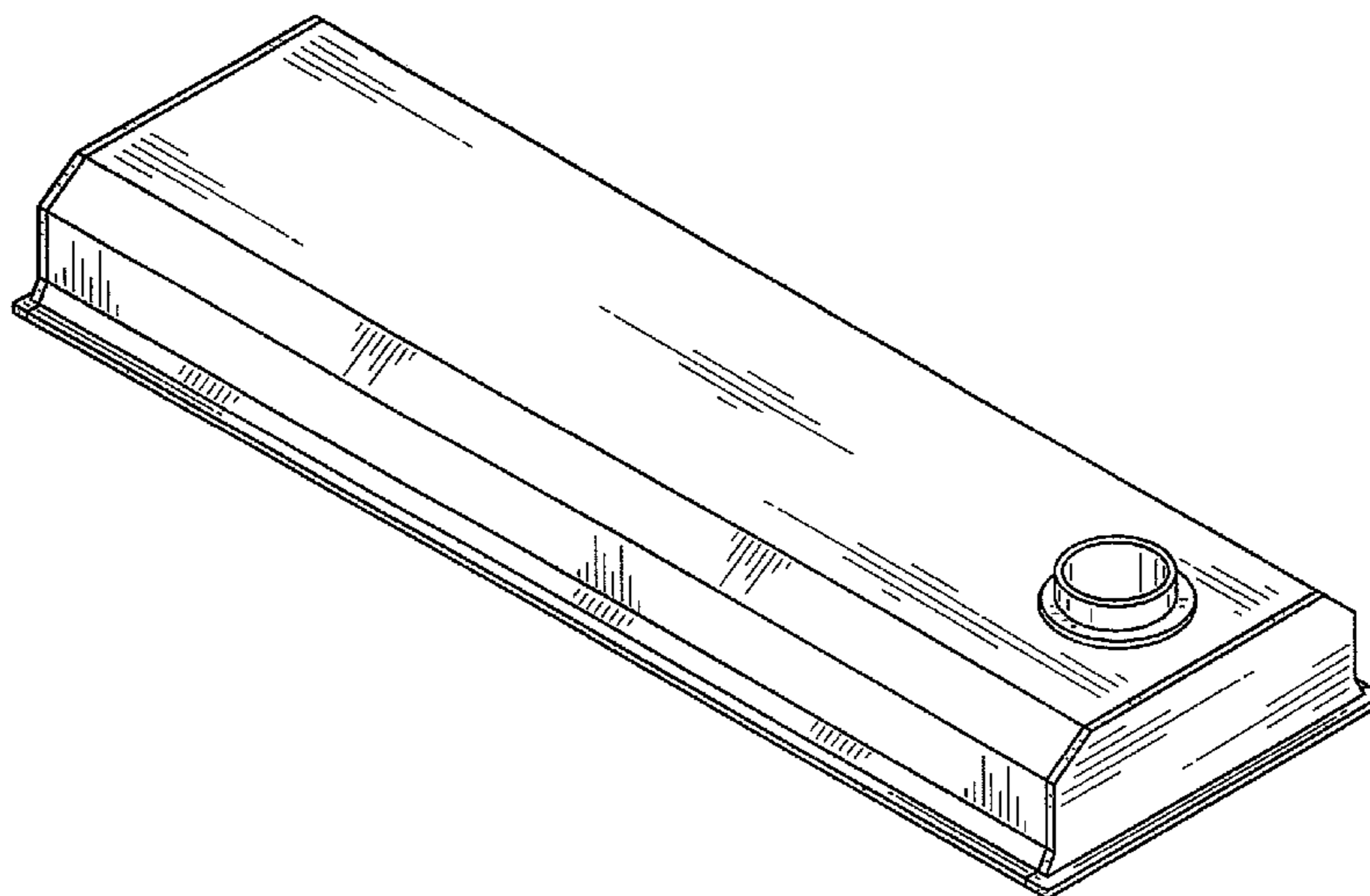
FIG. 6 is a top plan view of the air outlet of FIG. 1.

FIG. 7 is a bottom plan view of the air outlet of FIG. 1.

FIG. 8 is a sectional elevational view taken along line A—A in FIG. 2; and,

FIG. 9 is a sectional elevational view taken along line B—B in FIG. 6.

1 Claim, 6 Drawing Sheets



US D629,883 S

Page 2

U.S. PATENT DOCUMENTS

D377,829 S * 2/1997 Andresen D23/393
D396,276 S * 7/1998 Horng D23/370
D398,393 S 9/1998 Horng
D418,216 S 12/1999 Horng
D423,660 S 4/2000 Inda
D425,612 S 5/2000 Andersen
D463,019 S 9/2002 Jones et al.
D507,344 S 7/2005 Anderson

D557,788 S 12/2007 Eloranta
D571,313 S * 6/2008 Horng D13/179
D580,041 S * 11/2008 Kudo D23/372
D601,180 S * 9/2009 Takeda D23/371
D604,828 S * 11/2009 Krohmer et al. D23/393

FOREIGN PATENT DOCUMENTS

JP 875563-1 8/1993

* cited by examiner

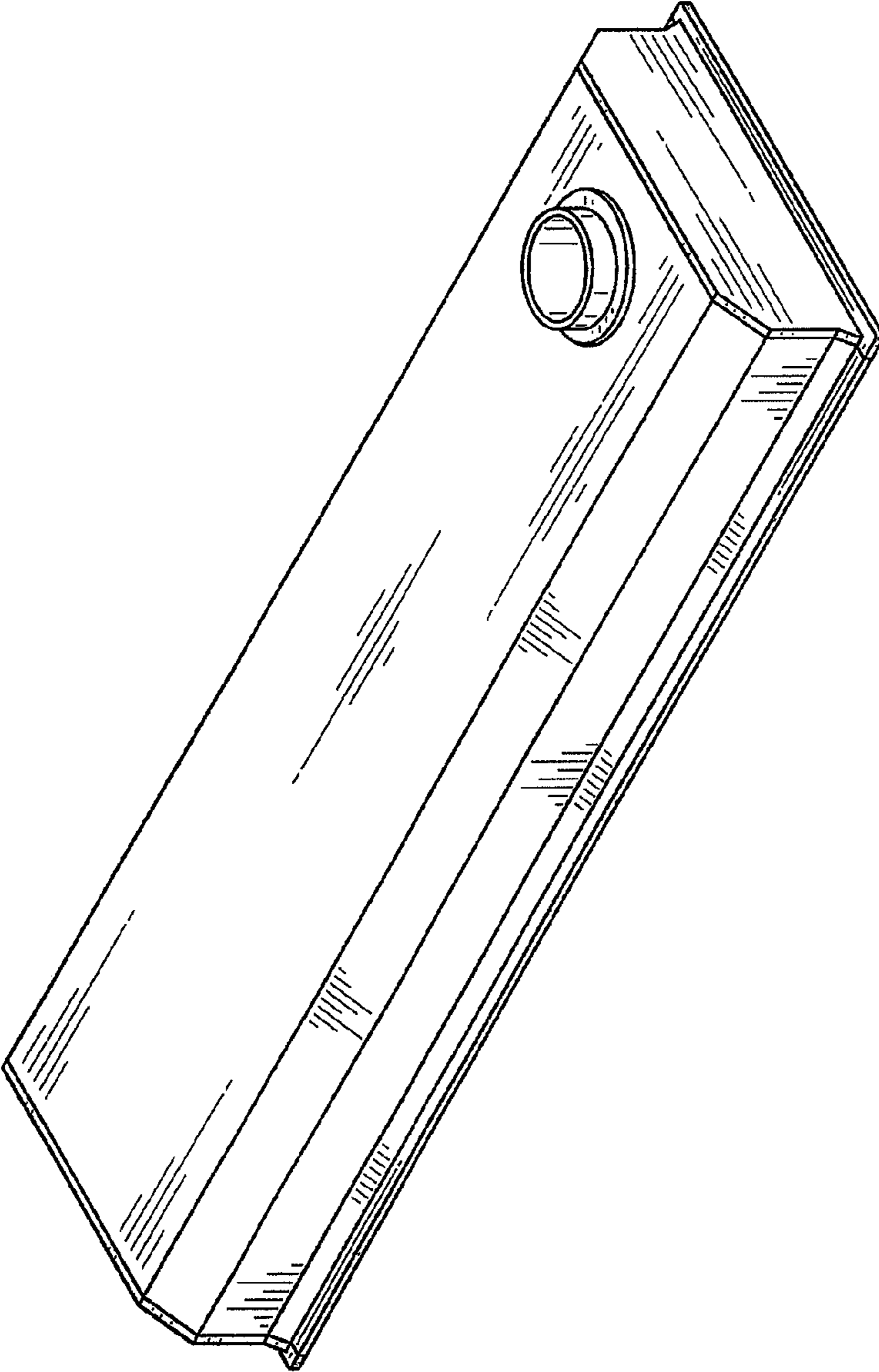


FIG. 1

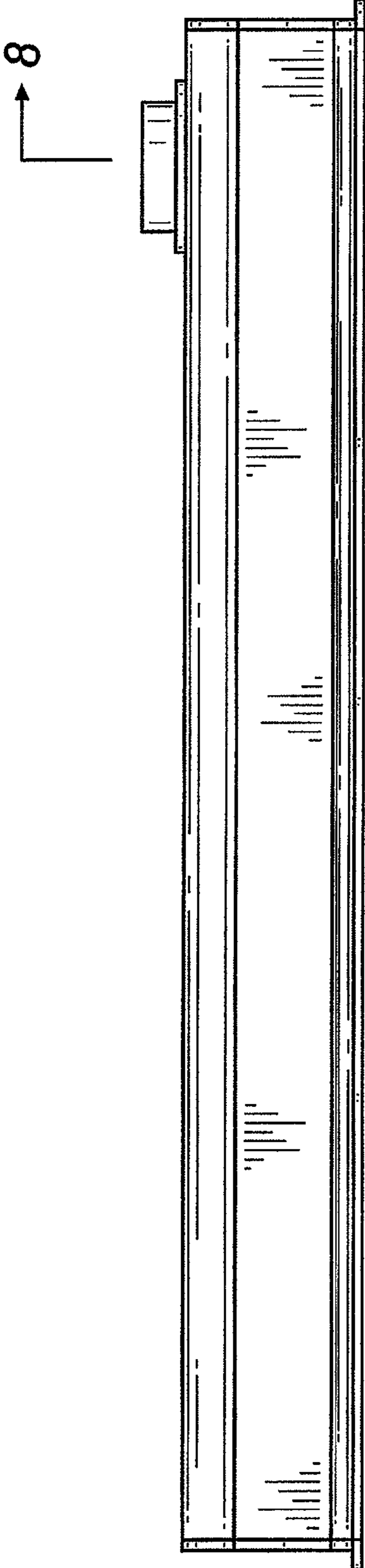


FIG. 2



FIG. 3

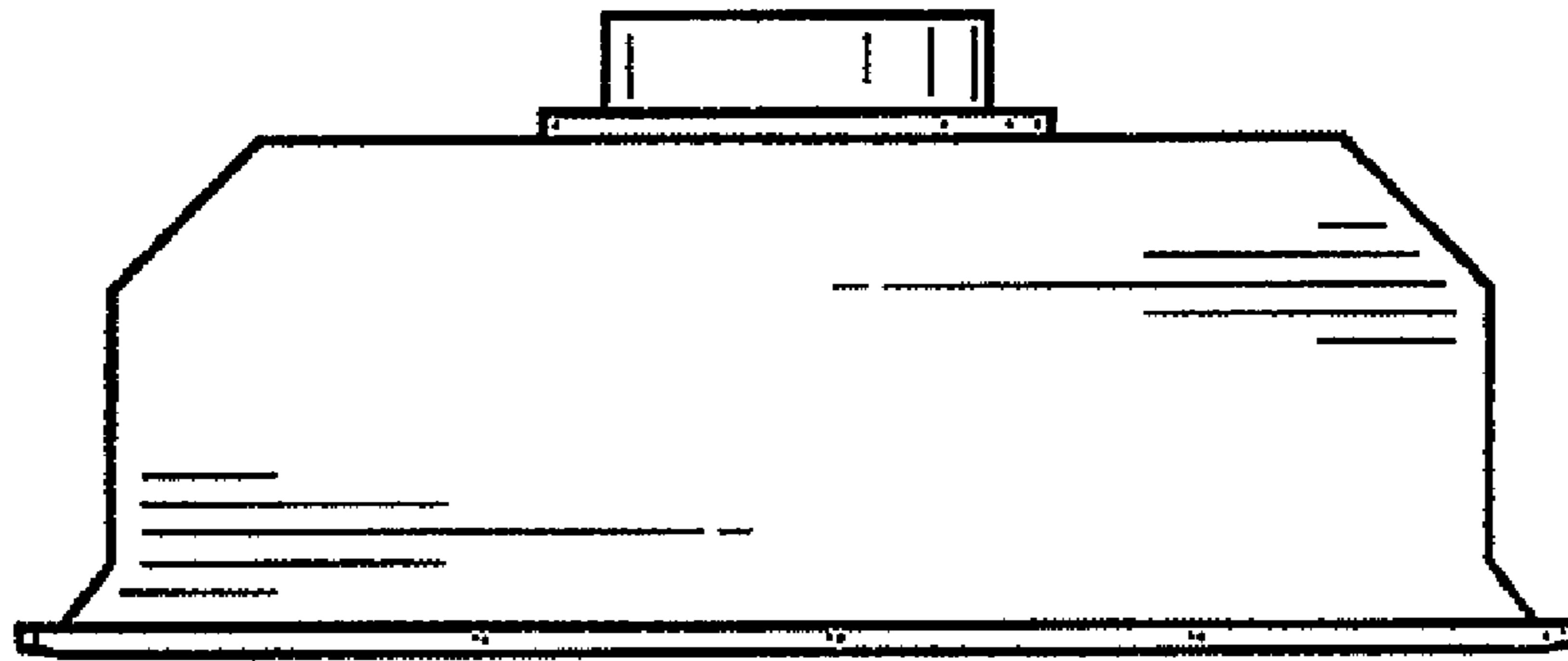


FIG. 4

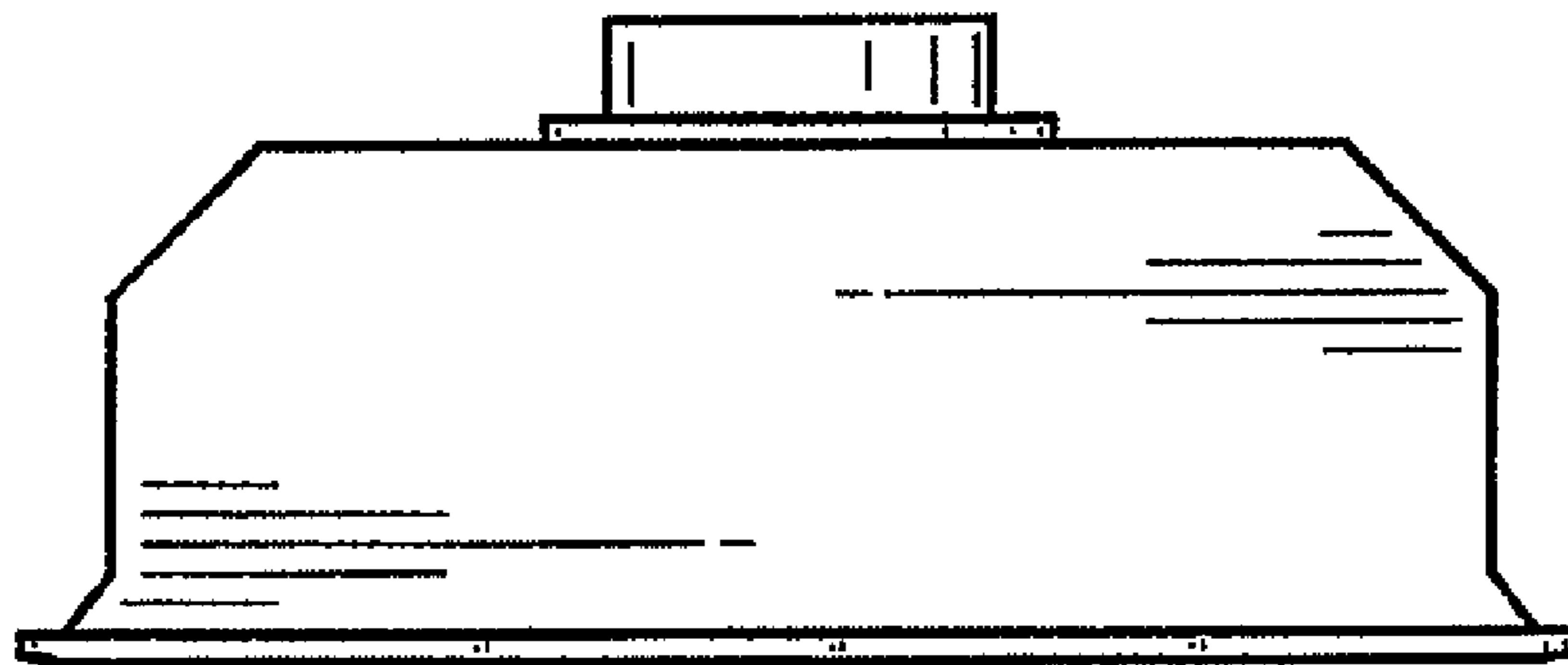


FIG. 5

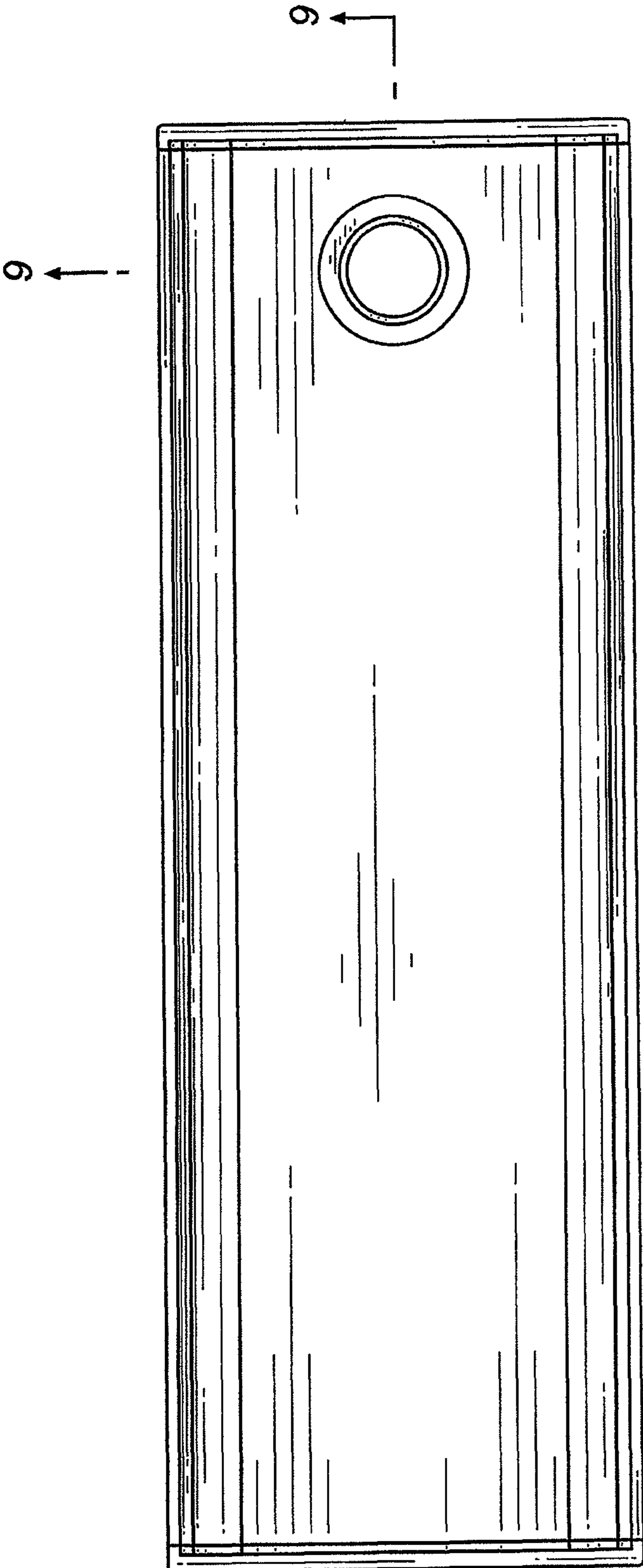


FIG. 6

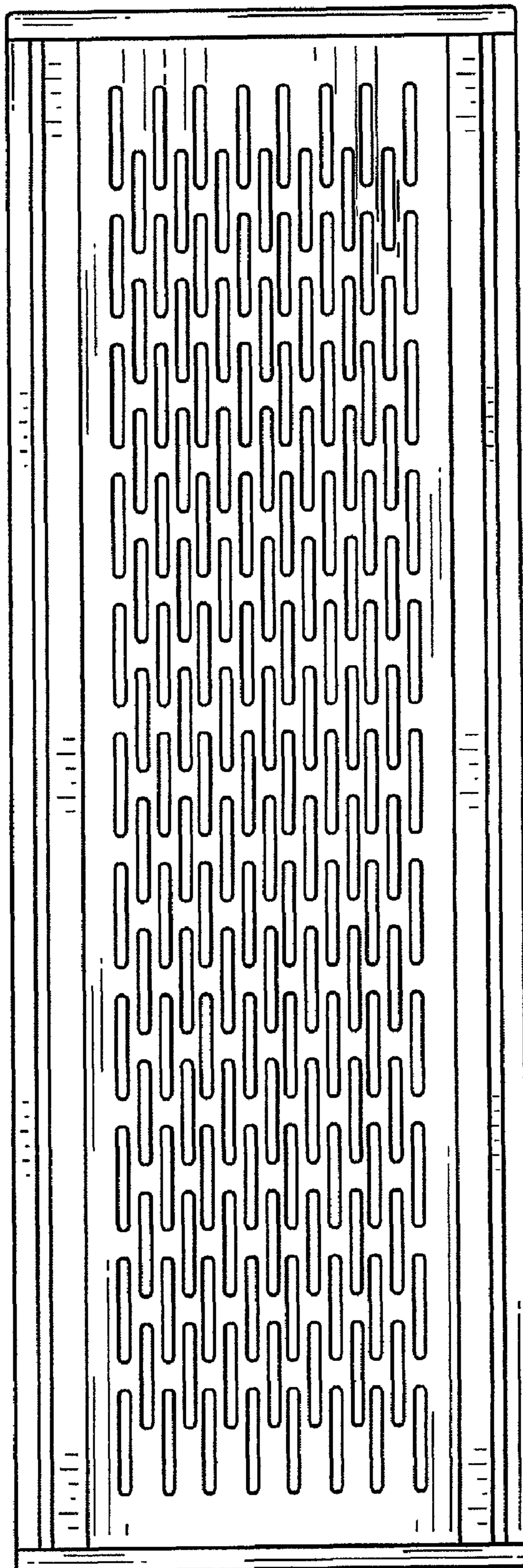


FIG. 7

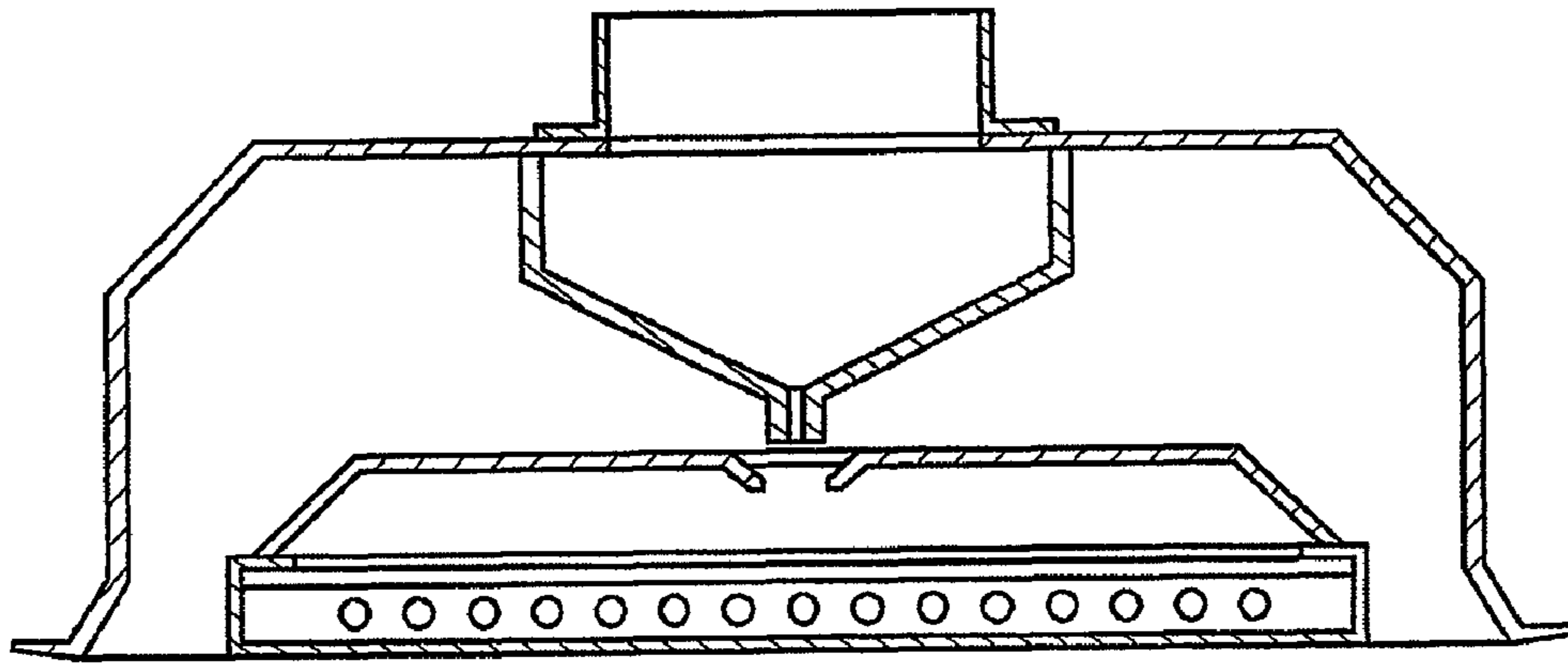


FIG. 8

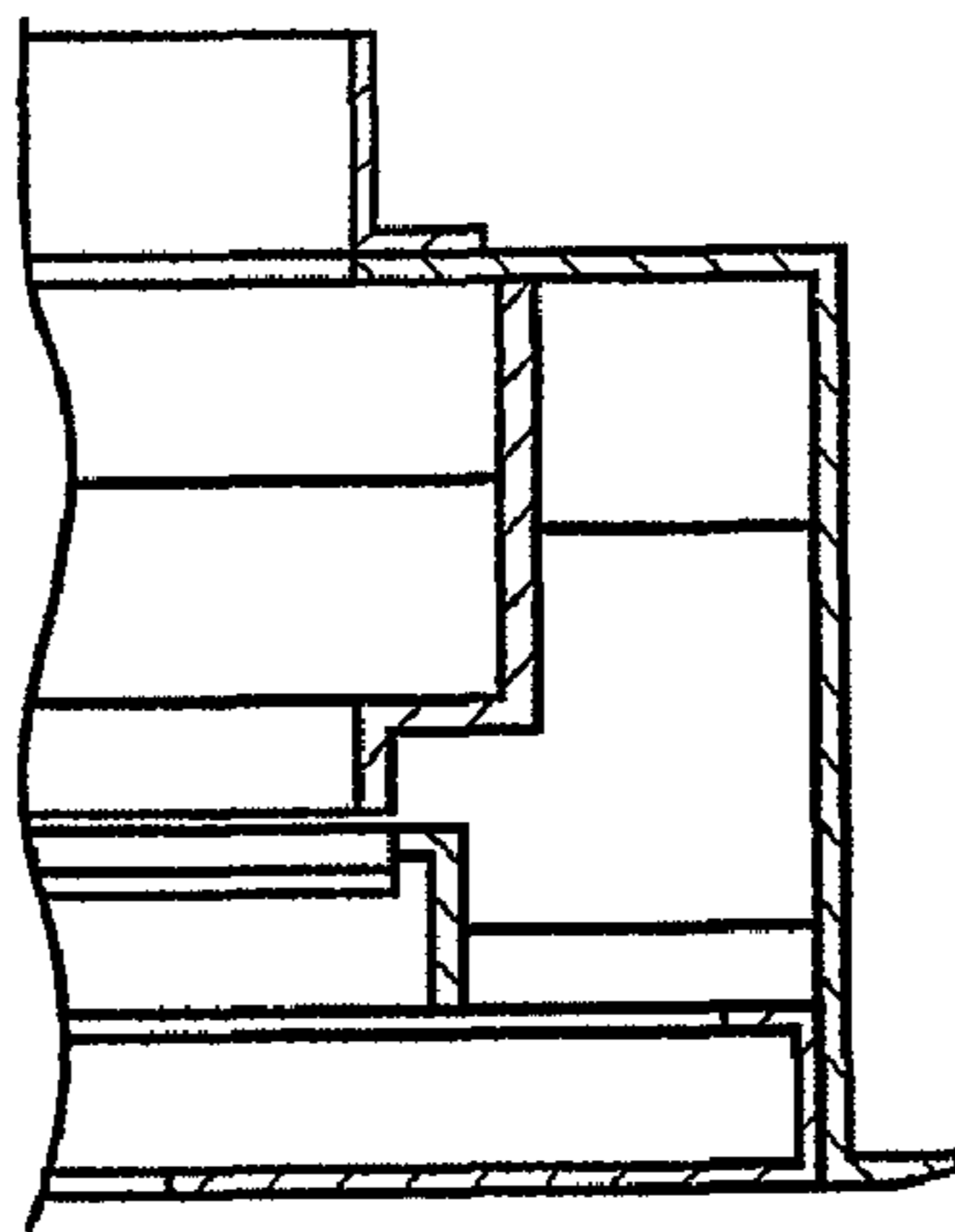


FIG. 9