



US00D629881S

(12) **United States Design Patent**  
**Valentino et al.**

(10) **Patent No.:** **US D629,881 S**  
(45) **Date of Patent:** **\*\* Dec. 28, 2010**

(54) **FRAGRANCE EMANATION APPARATUS**

(75) Inventors: **Heidi Valentino**, New York, NY (US);  
**Kathryn Ludwig**, New York, NY (US)

(73) Assignee: **Bath & Body Works Brand Management, Inc.**, Reynoldsburg, OH (US)

(\*\*) Term: **14 Years**

(21) Appl. No.: **29/359,417**

(22) Filed: **Apr. 9, 2010**

(51) **LOC (9) Cl.** ..... **28-99**

(52) **U.S. Cl.** ..... **D23/368**

(58) **Field of Classification Search** ..... D23/355-369;  
D28/5, 6; 261/DIG. 17, DIG. 42, DIG. 65,  
261/DIG. 88, DIG. 89; 392/386, 390, 391,  
392/392, 394, 395, 389, 393; 239/34, 35,  
239/43-45, 53, 56, 57, 60, 326, 42, 50, 55  
See application file for complete search history.

(56) **References Cited**

**U.S. PATENT DOCUMENTS**

D270,468 S	9/1983	Hoyt	
D275,222 S *	8/1984	Hoyt	D23/369
4,523,870 A	6/1985	Spector	
4,840,773 A	6/1989	Wade	
4,849,606 A	7/1989	Martens, III et al.	
D349,157 S	7/1994	Rymer	
D350,192 S	8/1994	Patel et al.	
5,368,822 A	11/1994	McNeil	
D367,924 S *	3/1996	Patel et al.	D23/369
D373,626 S	9/1996	Dente et al.	
D375,350 S	11/1996	Patel et al.	
5,865,372 A	2/1999	Ceresko	
5,899,382 A	5/1999	Hayes et al.	
5,932,147 A	8/1999	Chen	
6,015,094 A	1/2000	Por	
6,102,660 A	8/2000	Lee	
D441,441 S *	5/2001	Upson	D23/366
6,264,887 B1	7/2001	Farmer	

6,631,852 B1 *	10/2003	O'Leary	239/60
6,843,965 B2	1/2005	Matulevich	
6,976,637 B2	12/2005	Massimo	
D517,186 S	3/2006	Grodsky et al.	
D522,119 S	5/2006	Baraky et al.	
D532,893 S *	11/2006	Wu	D23/366
7,137,570 B2	11/2006	Wheatley et al.	
7,159,792 B2	1/2007	Wheatley et al.	
D538,912 S *	3/2007	Kaplan	D23/366
D538,913 S *	3/2007	Kaplan	D23/366
D544,088 S *	6/2007	Wu	D23/368
D544,594 S *	6/2007	Zobebe	D23/366
D549,812 S *	8/2007	Fellows et al.	D23/366
D551,333 S *	9/2007	Wu	D23/366
D555,778 S *	11/2007	Fellows et al.	D23/366
7,293,719 B2	11/2007	Wheatley et al.	
D565,715 S	4/2008	Wu	

(Continued)

**FOREIGN PATENT DOCUMENTS**

CA 2538109 3/2005

*Primary Examiner*—Sandra Snapp  
(74) *Attorney, Agent, or Firm*—Ward & Olivo

(57) **CLAIM**

The ornamental design for a fragrance emanation apparatus, as shown and described.

**DESCRIPTION**

FIG. 1 is a perspective view of a fragrance emanation apparatus in accordance with the present invention as shown in the present design;

FIG. 2 is a front view thereof;

FIG. 3 is a rear view thereof;

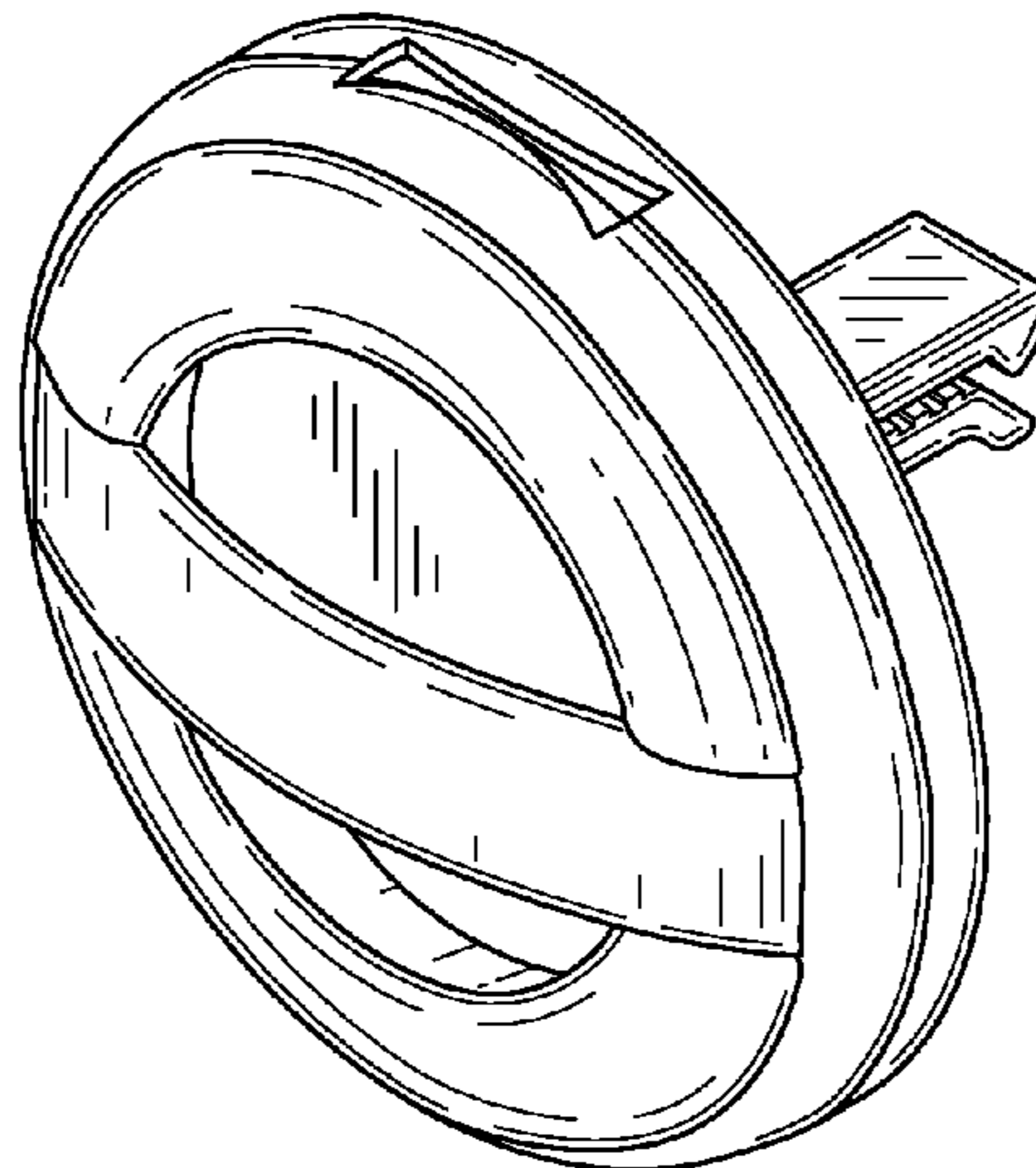
FIG. 4 is a right side view thereof;

FIG. 5 is a left side view thereof;

FIG. 6 is a top view thereof; and,

FIG. 7 is a bottom view thereof.

**1 Claim, 4 Drawing Sheets**



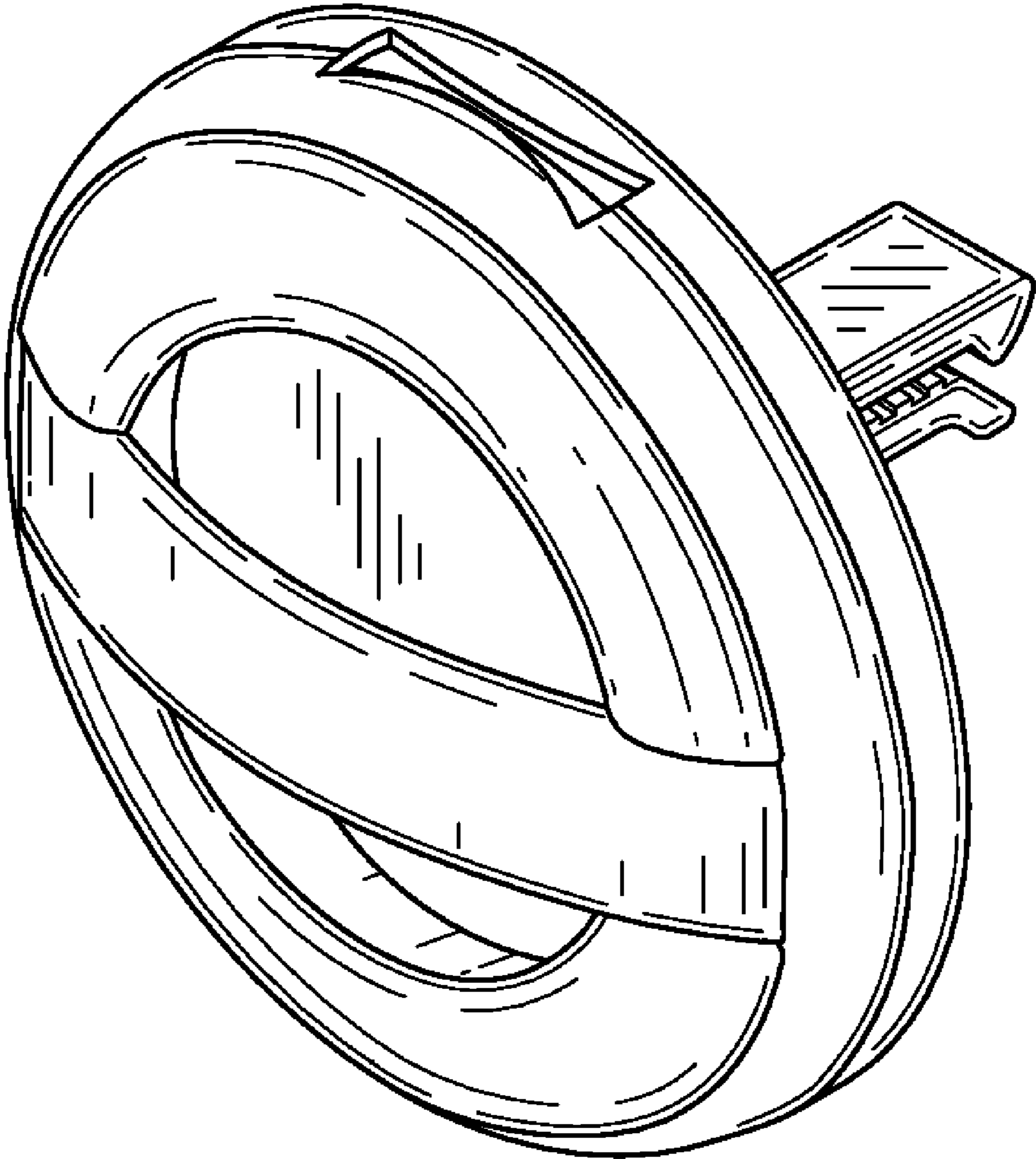
# US D629,881 S

Page 2

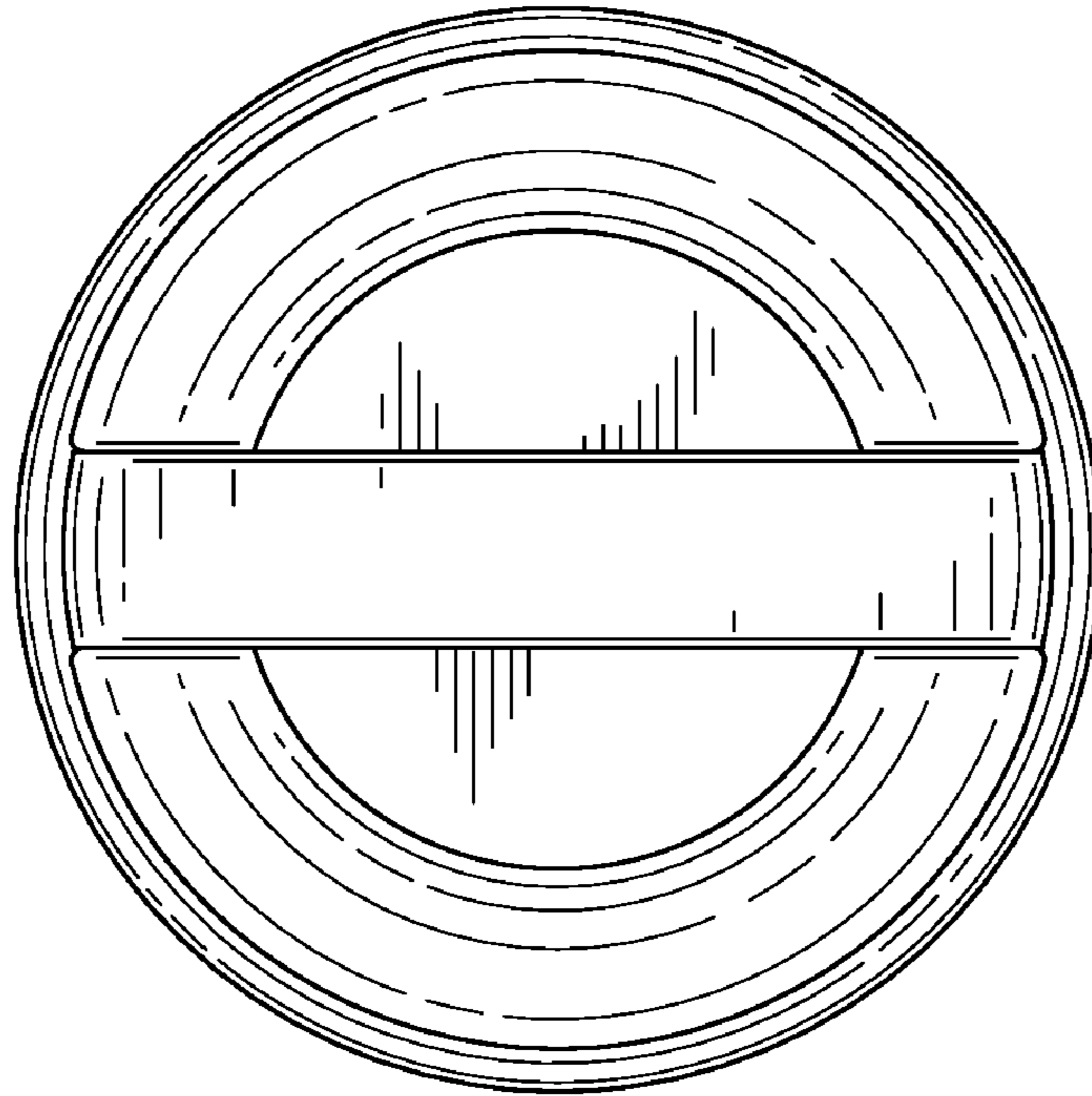
---

U.S. PATENT DOCUMENTS							
				2008/0219897	A1	9/2008	Macor
				2009/0072045	A1	3/2009	Wheatley et al.
D585,129	S *	1/2009	Huang .....	2009/0114736	A1	5/2009	Janakat et al.
			D23/366				
D591,415	S	4/2009	Wu	2009/0148142	A1	6/2009	McGee et al.
D593,670	S *	6/2009	Valentino et al. ....	2009/0212124	A1	8/2009	Kenny
			D23/366				
7,687,038	B2	3/2010	Wheatley et al.				
2005/0127538	A1 *	6/2005	Fabrega et al. ....				
			261/104				
							* cited by examiner

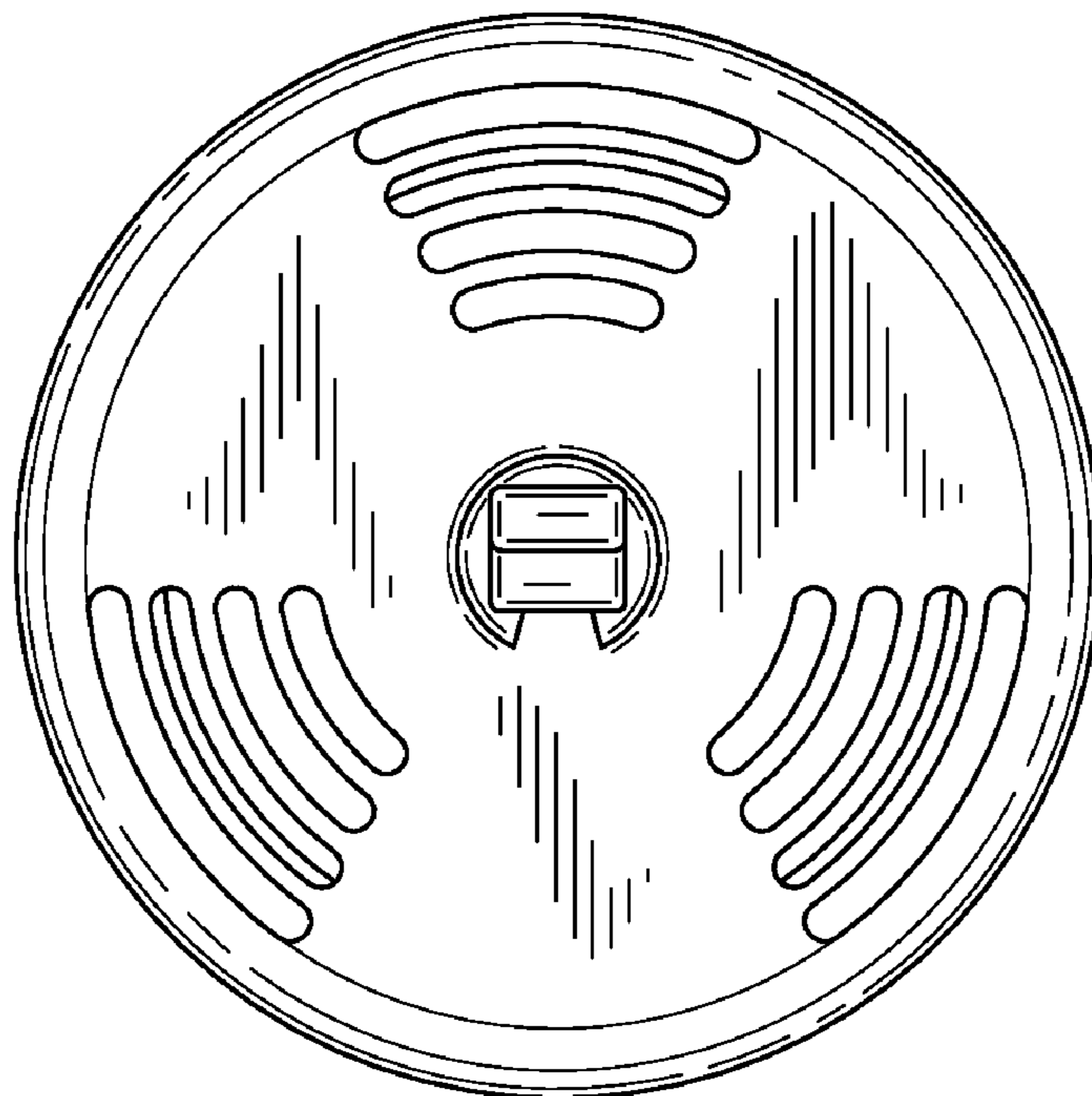
**FIG. 1**



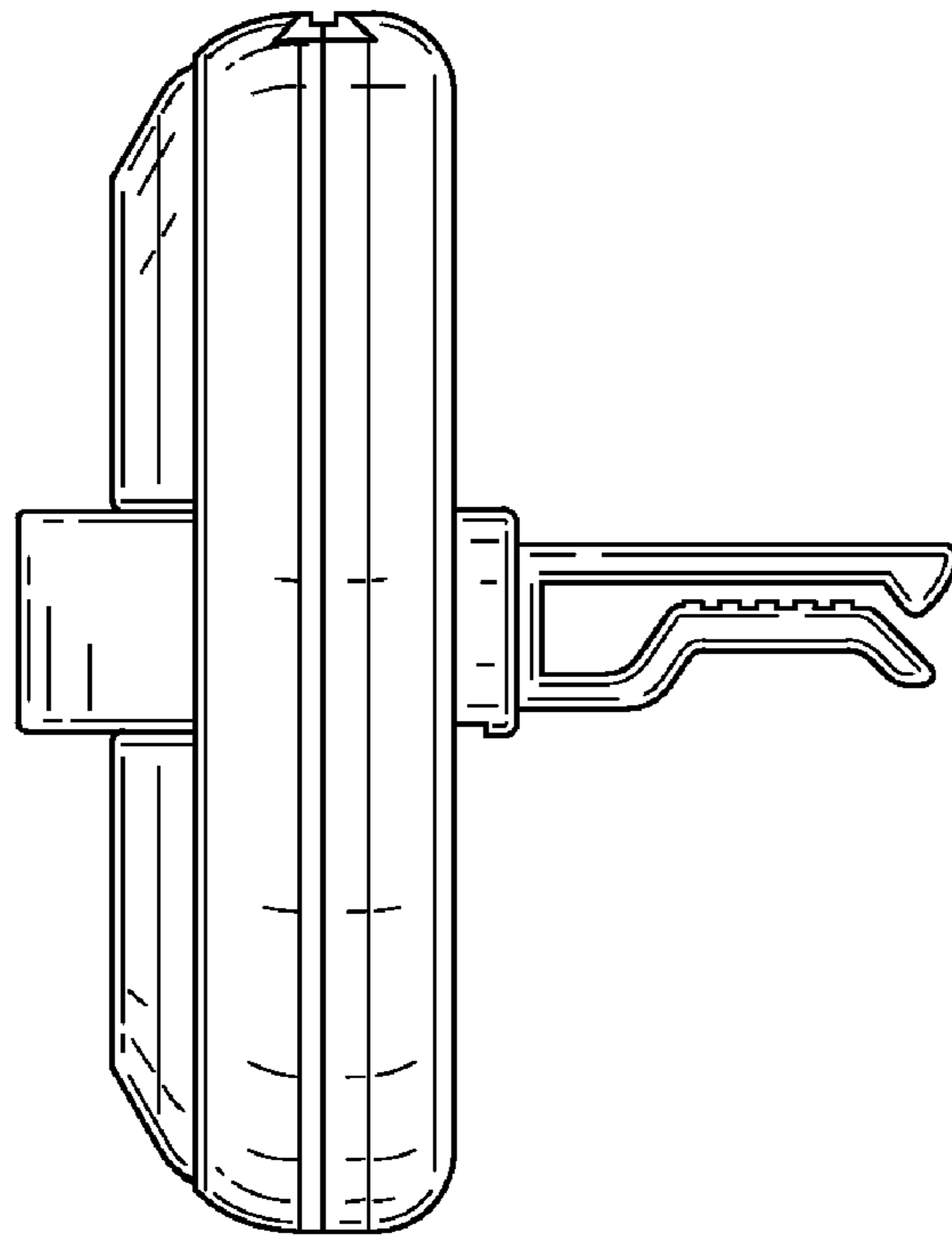
**FIG. 2**



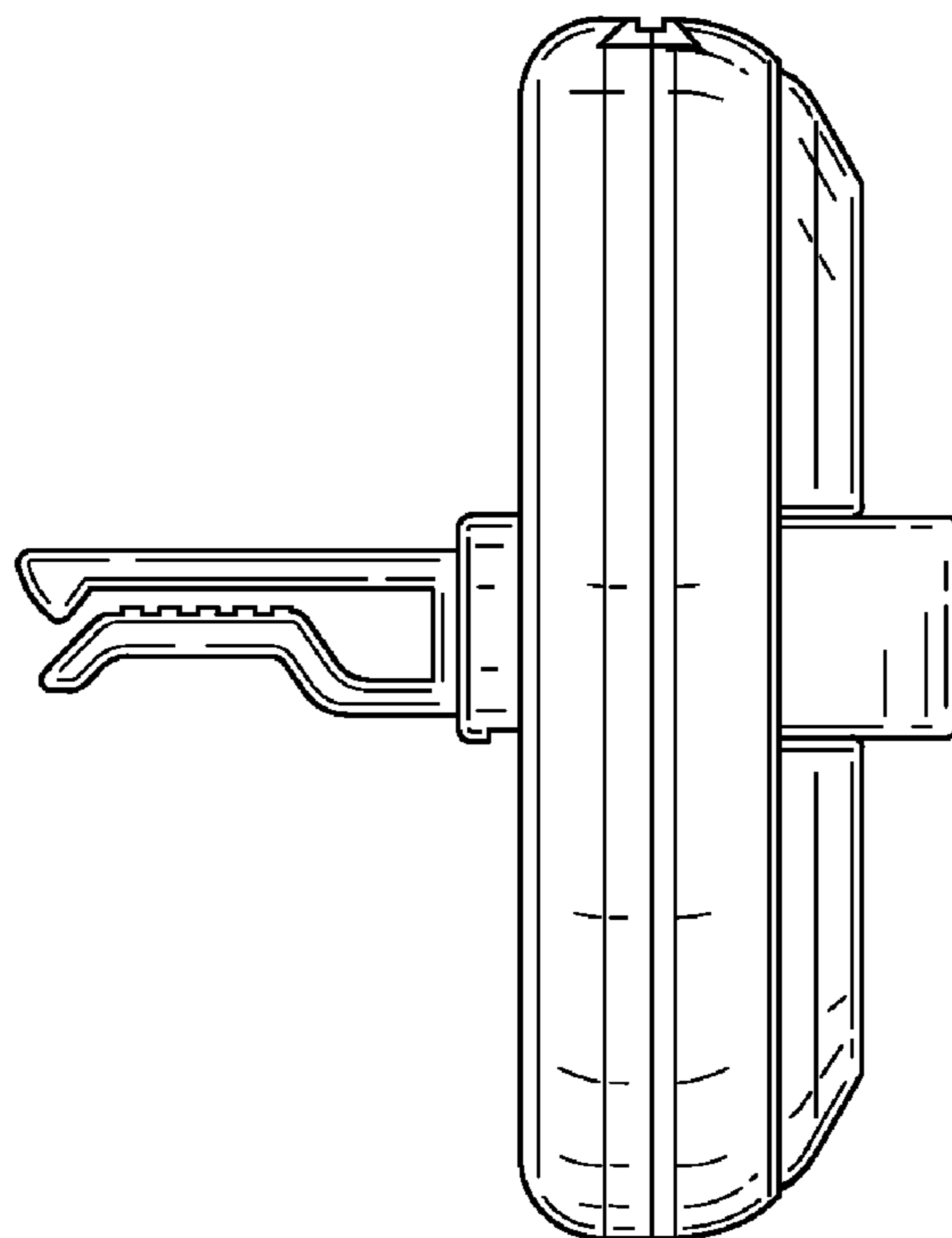
**FIG. 3**



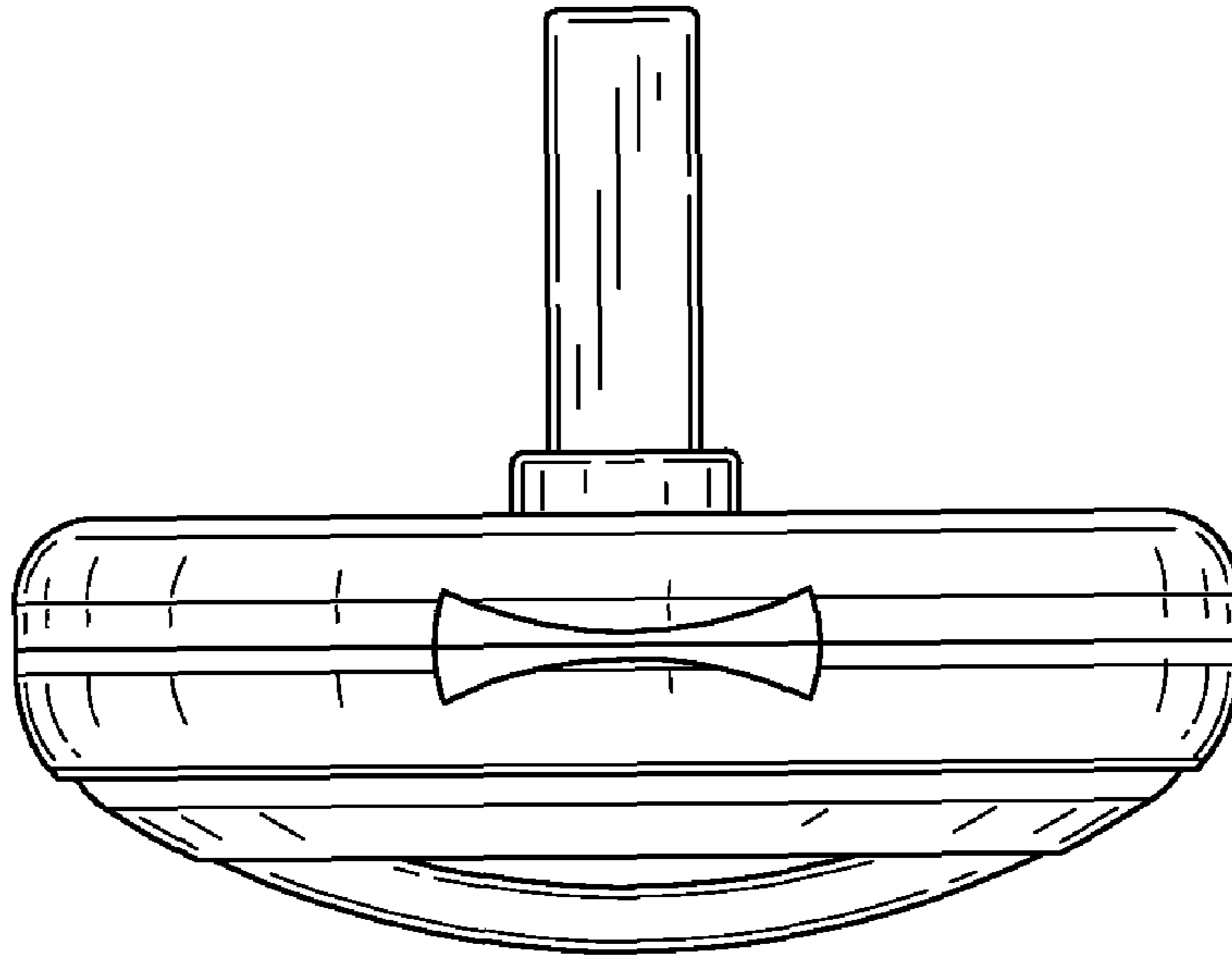
**FIG. 4**



**FIG. 5**



**FIG. 6**



**FIG. 7**

