



US00D629879S

(12) **United States Design Patent**  
**Paterson et al.**

(10) **Patent No.:** **US D629,879 S**

(45) **Date of Patent:** **\*\* Dec. 28, 2010**

(54) **AIR CLEANER WITH A STAND**

(75) Inventors: **Chris M. Paterson**, Franklin, TN (US);  
**Michael R. Amburgey**, Brentwood, TN (US)

(73) Assignee: **Oreck Holdings, LLC**, Cheyenne, WY (US)

(\*\*) Term: **14 Years**

(21) Appl. No.: **29/341,364**

(22) Filed: **Aug. 4, 2009**

(51) **LOC (9) Cl.** ..... **23-04**

(52) **U.S. Cl.** ..... **D23/364**

(58) **Field of Classification Search** ..... D23/355-365,  
D23/352, 366, 369, 332, 333, 335, 336, 342,  
D23/351; 422/120, 122; 55/356, 473, 504;  
96/97; D14/188, 170-172, 214, 496; 261/DIG. 17,  
261/DIG. 65, DIG. 88, DIG. 31

See application file for complete search history.

(56) **References Cited**

**U.S. PATENT DOCUMENTS**

D453,557 S *	2/2002	Pannozzo et al.	.....	D23/335
D454,188 S *	3/2002	Nonaka	.....	D23/351
D495,407 S *	8/2004	Asaoka et al.	.....	D23/351
D532,884 S *	11/2006	Ching	.....	D23/335
D540,930 S *	4/2007	Reedy et al.	.....	D23/365
D543,266 S *	5/2007	Chen	.....	D23/364
D546,430 S *	7/2007	Ching et al.	.....	D23/342
D553,718 S *	10/2007	Shapiro	.....	D23/314
D565,162 S *	3/2008	Carlson	.....	D23/364
D571,445 S *	6/2008	Vandenbelt	.....	D23/364
D577,427 S *	9/2008	Spiegel	.....	D23/364
D588,686 S *	3/2009	Spiegel	.....	D23/364
D604,819 S *	11/2009	Krapfl	.....	D23/332

\* cited by examiner

*Primary Examiner*—David G Muller

(74) *Attorney, Agent, or Firm*—Winston & Strawn LLP

(57) **CLAIM**

We claim the ornamental design for an air cleaner with a stand, as shown and described.

**DESCRIPTION**

FIG. 1 is a perspective view of an air cleaner with a stand of our new design;

FIG. 2 is a front elevation view thereof;

FIG. 3 is a top plan view thereof;

FIG. 4 is a right side elevation view thereof;

FIG. 5 is a left side elevation view thereof;

FIG. 6 is a rear elevation view thereof;

FIG. 7 is a bottom plan view thereof;

FIG. 8 is a perspective view of the embodiment of FIG. 1, showing the air cleaner separated from the stand;

FIG. 9 is a top plan view of the air cleaner and stand separated, as shown in FIG. 8;

FIG. 10 is a bottom plan view of the air cleaner and stand separated, as shown in FIG. 8;

FIG. 11 is a perspective view of the air cleaner of FIG. 1 without the stand; and,

FIG. 12 is a left side elevation view of the air cleaner of FIG. 1 without the stand.

The broken line showing of parts of the drawings is included for the purpose of illustrating use and environment and forms no part of the claimed design.

**1 Claim, 8 Drawing Sheets**

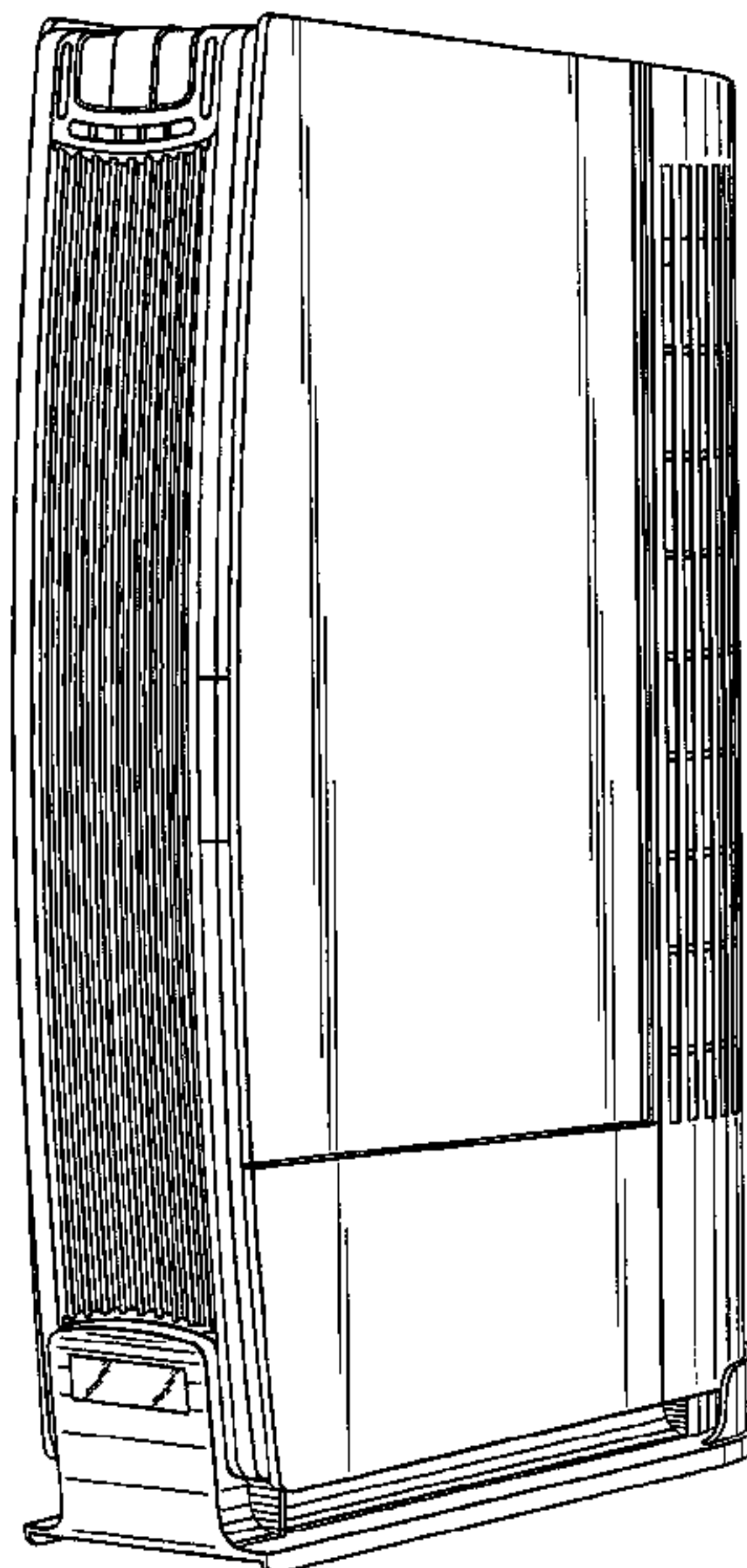


Fig. 1

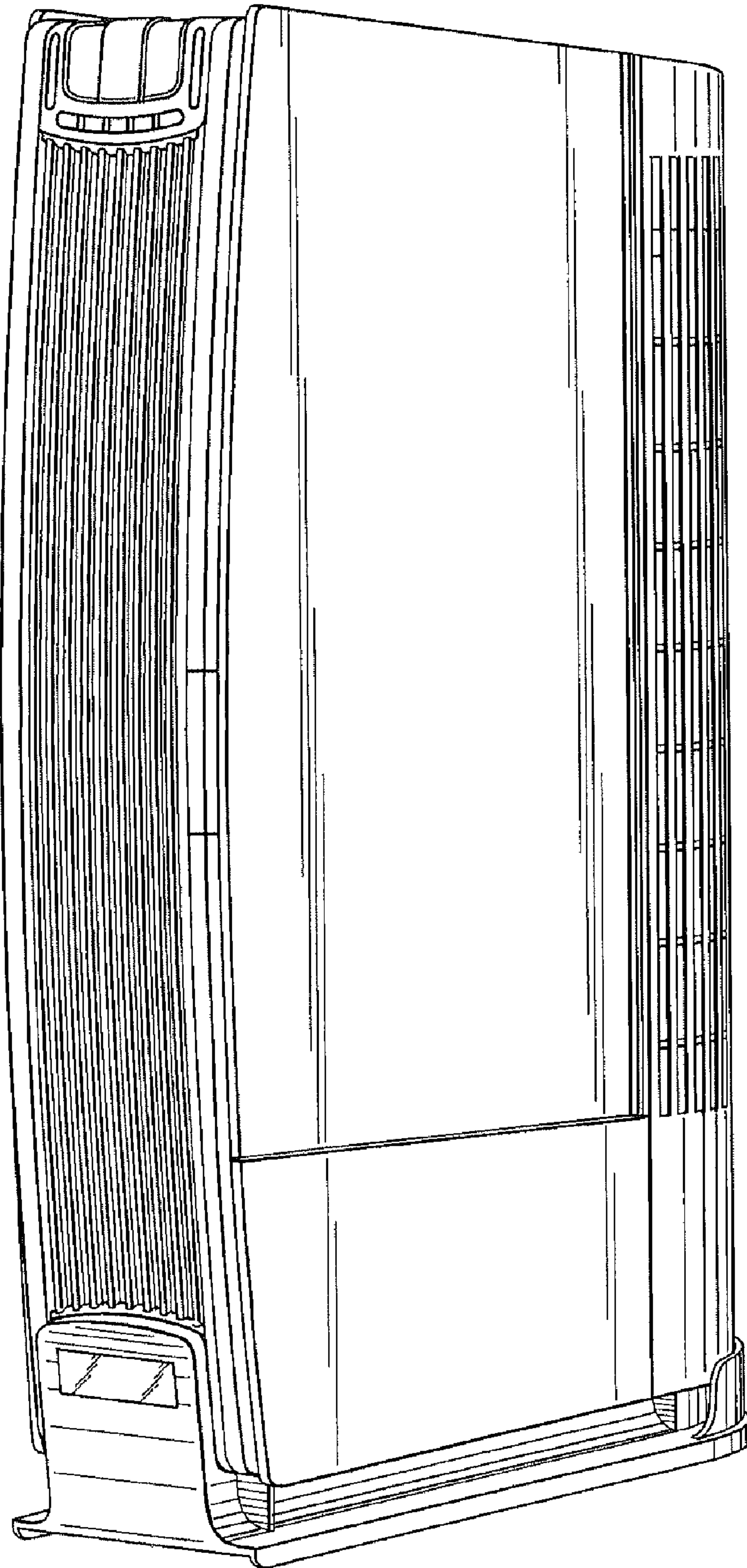


Fig. 2

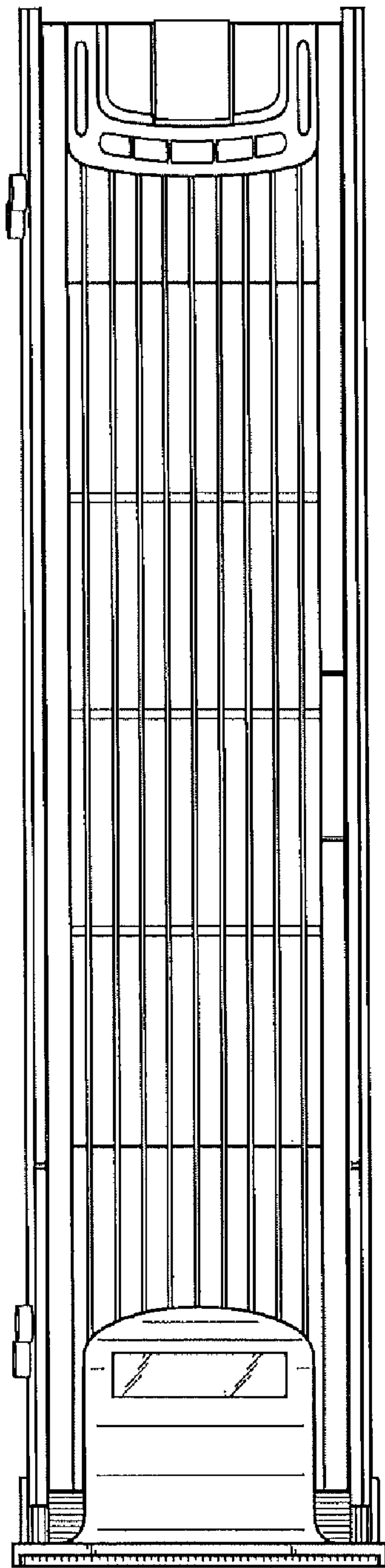


Fig. 3

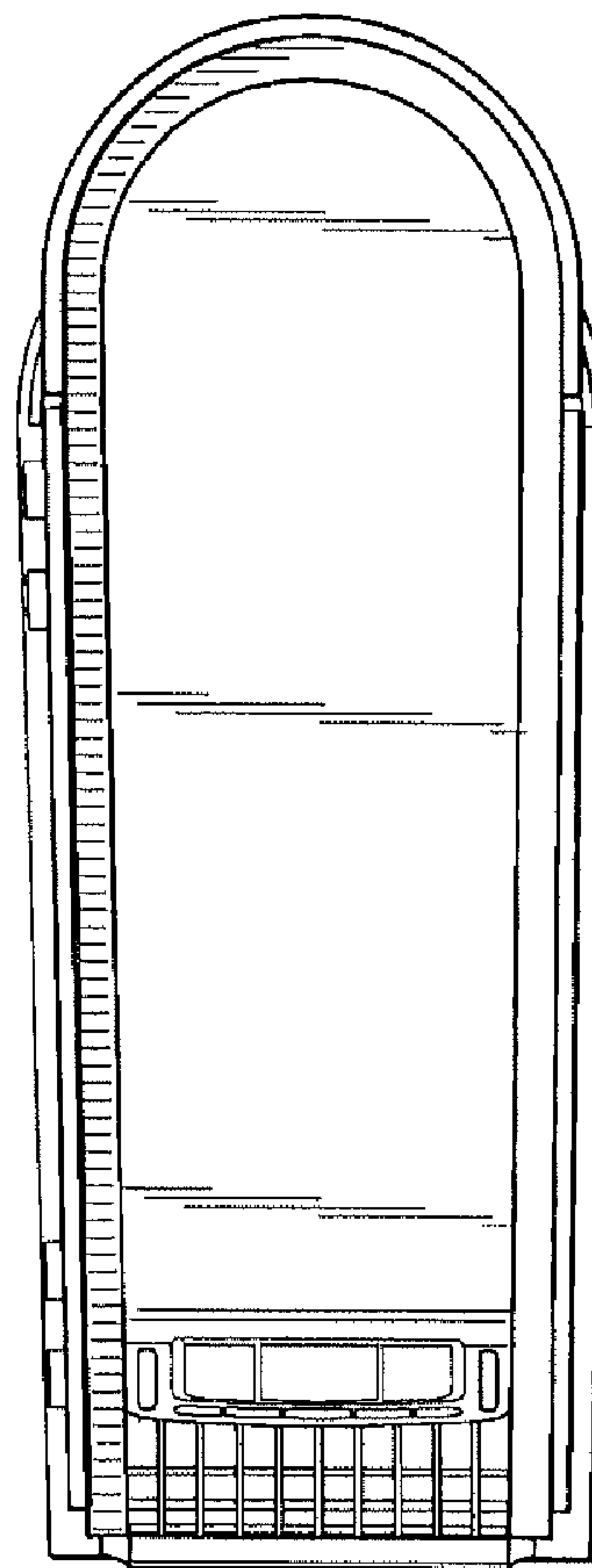


Fig. 4

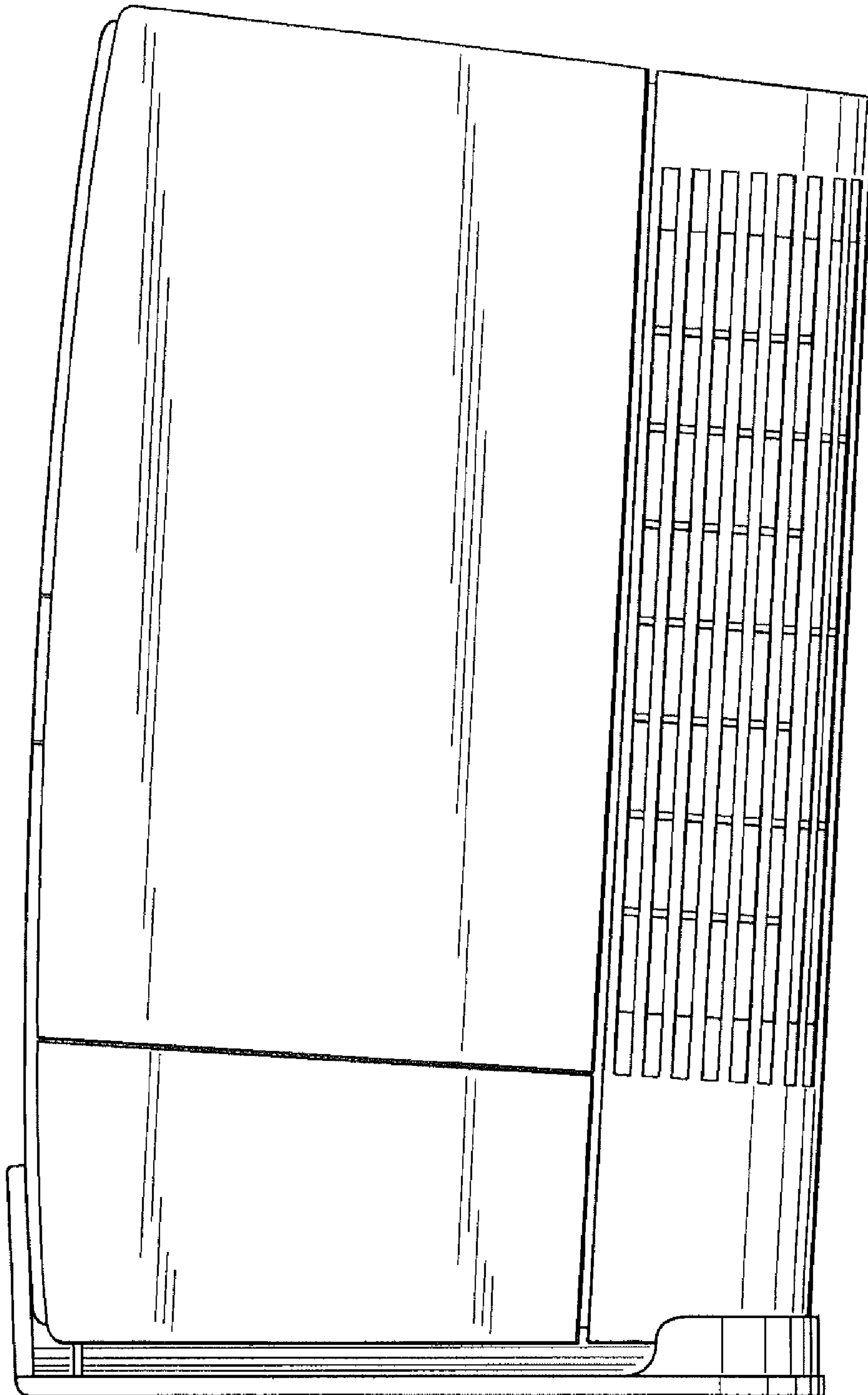
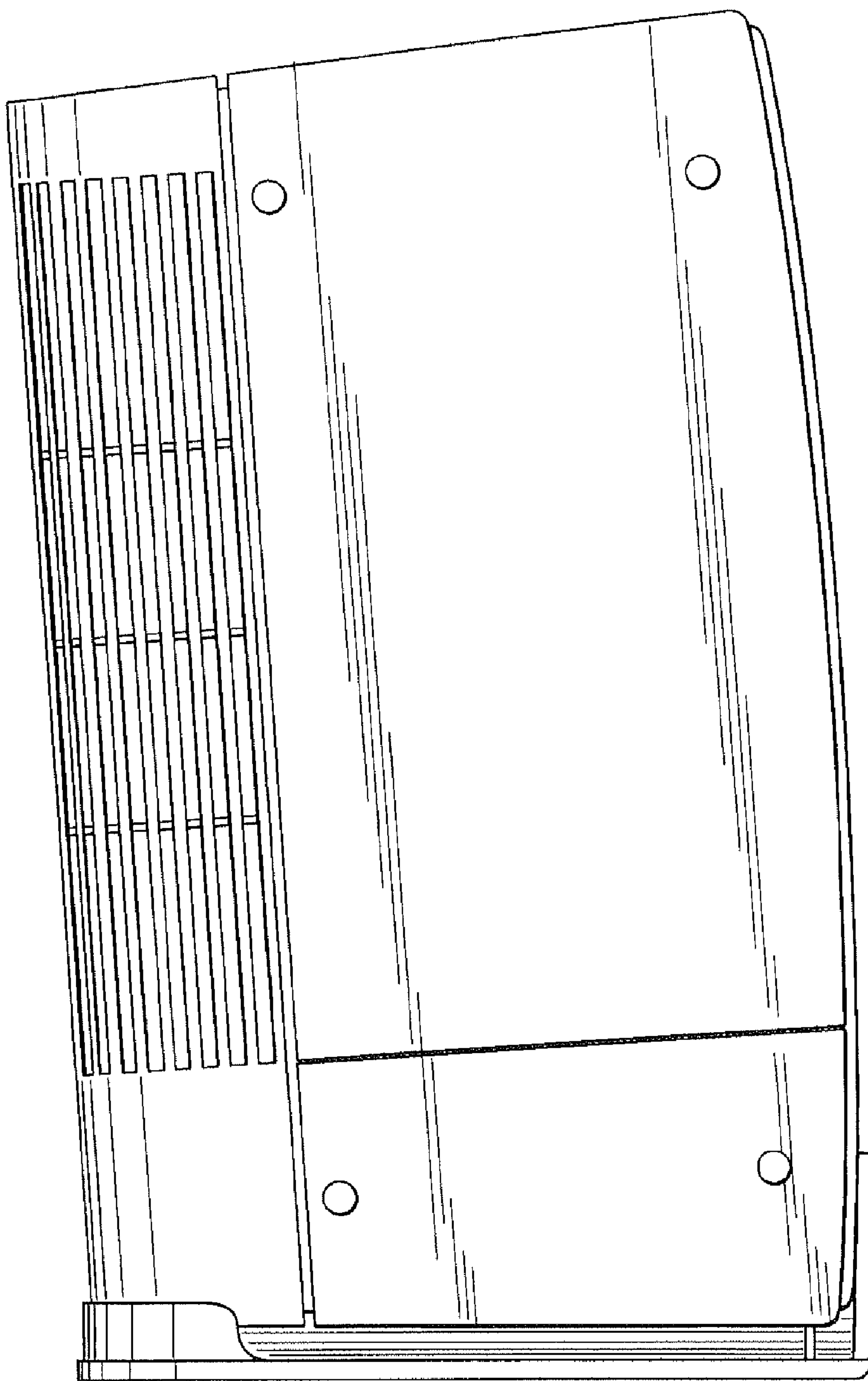
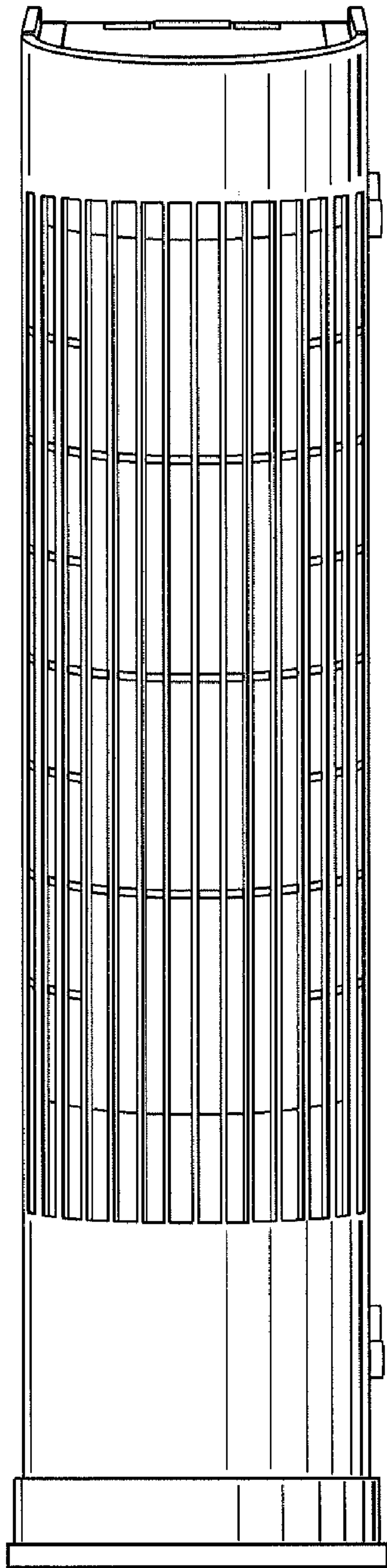


Fig. 5

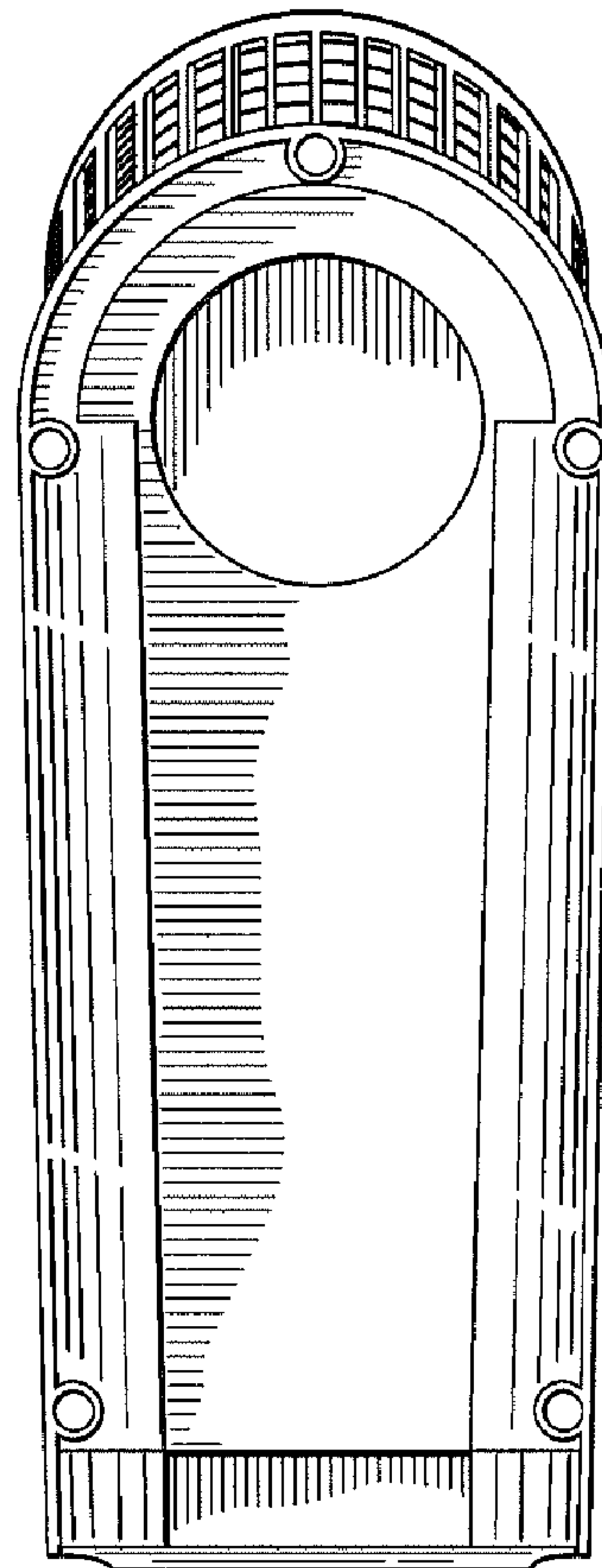




**Fig. 6**



**Fig. 7**



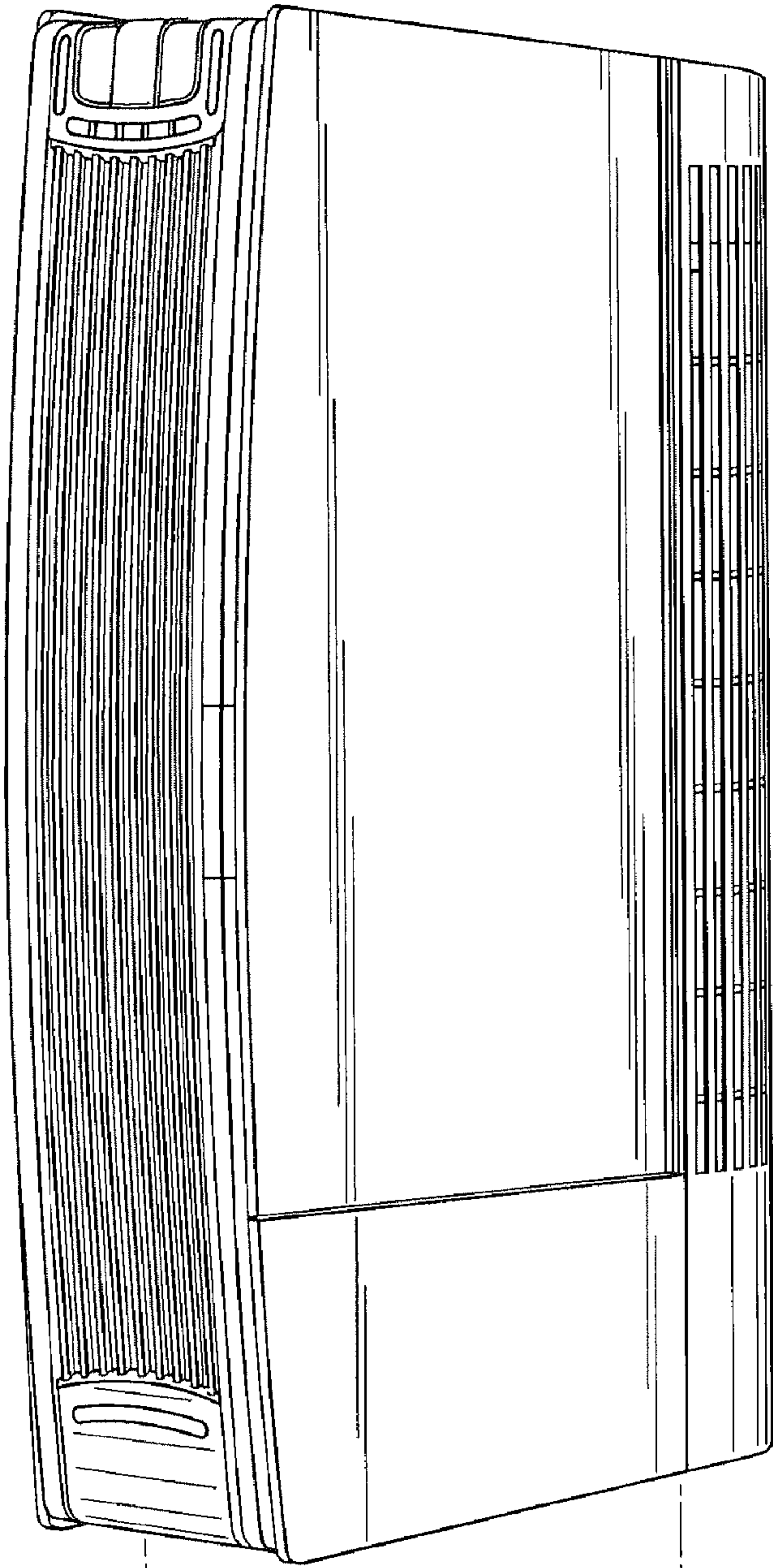


Fig. 8

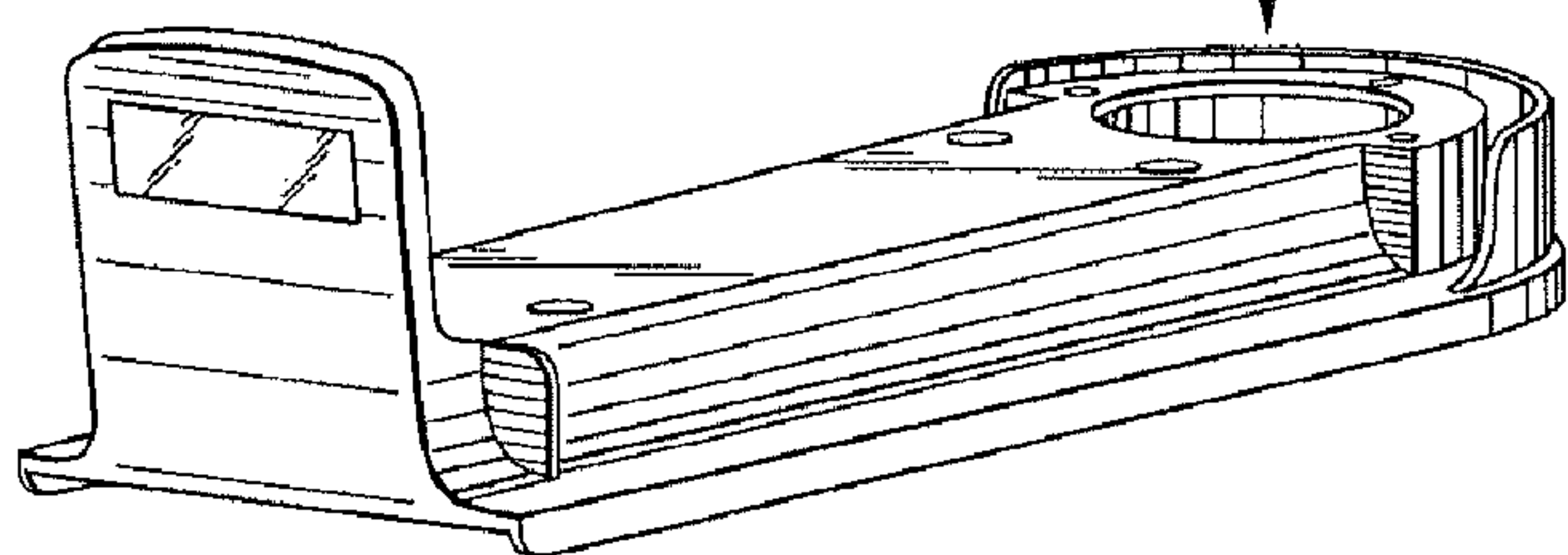


Fig. 9

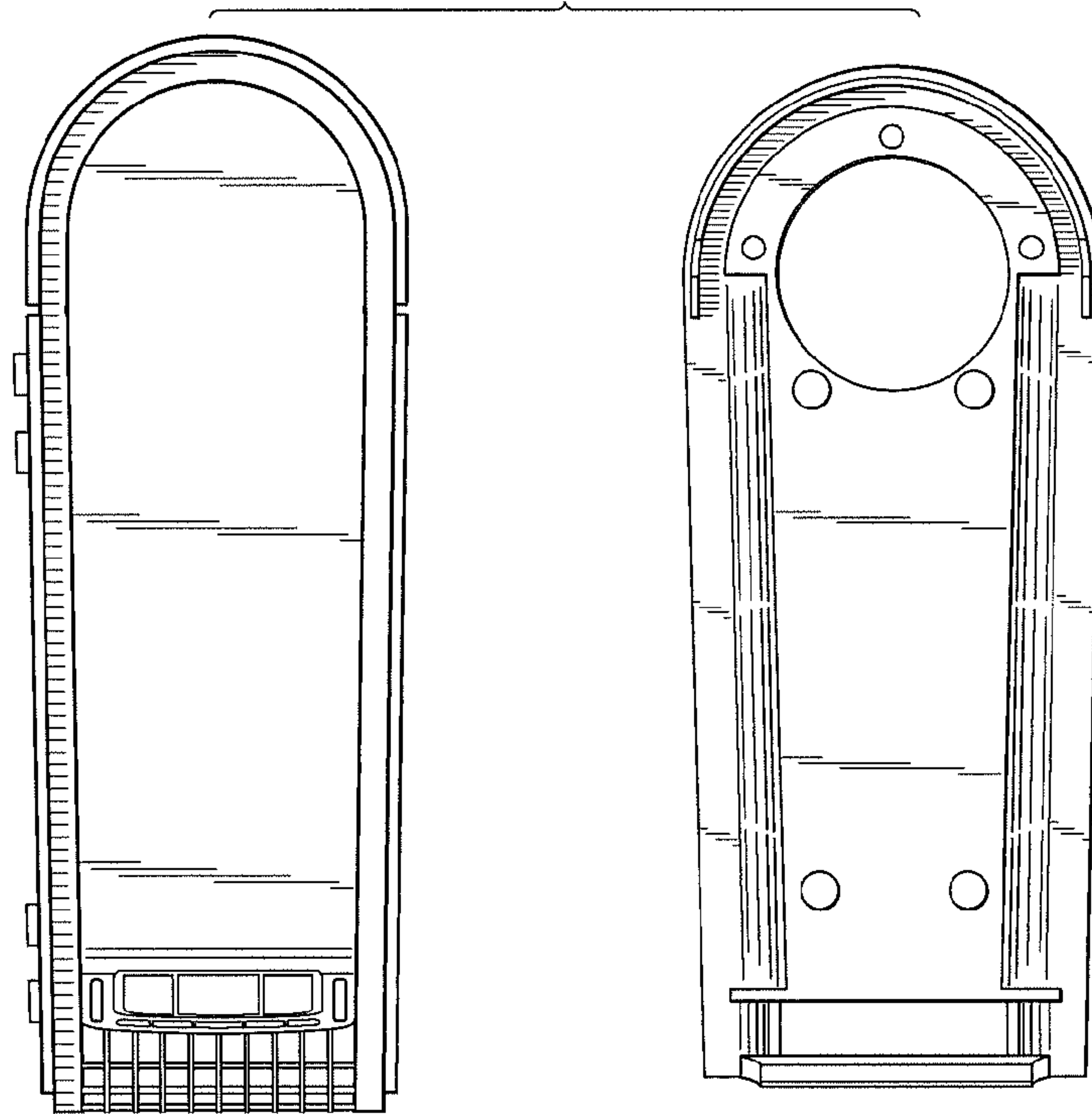


Fig. 10

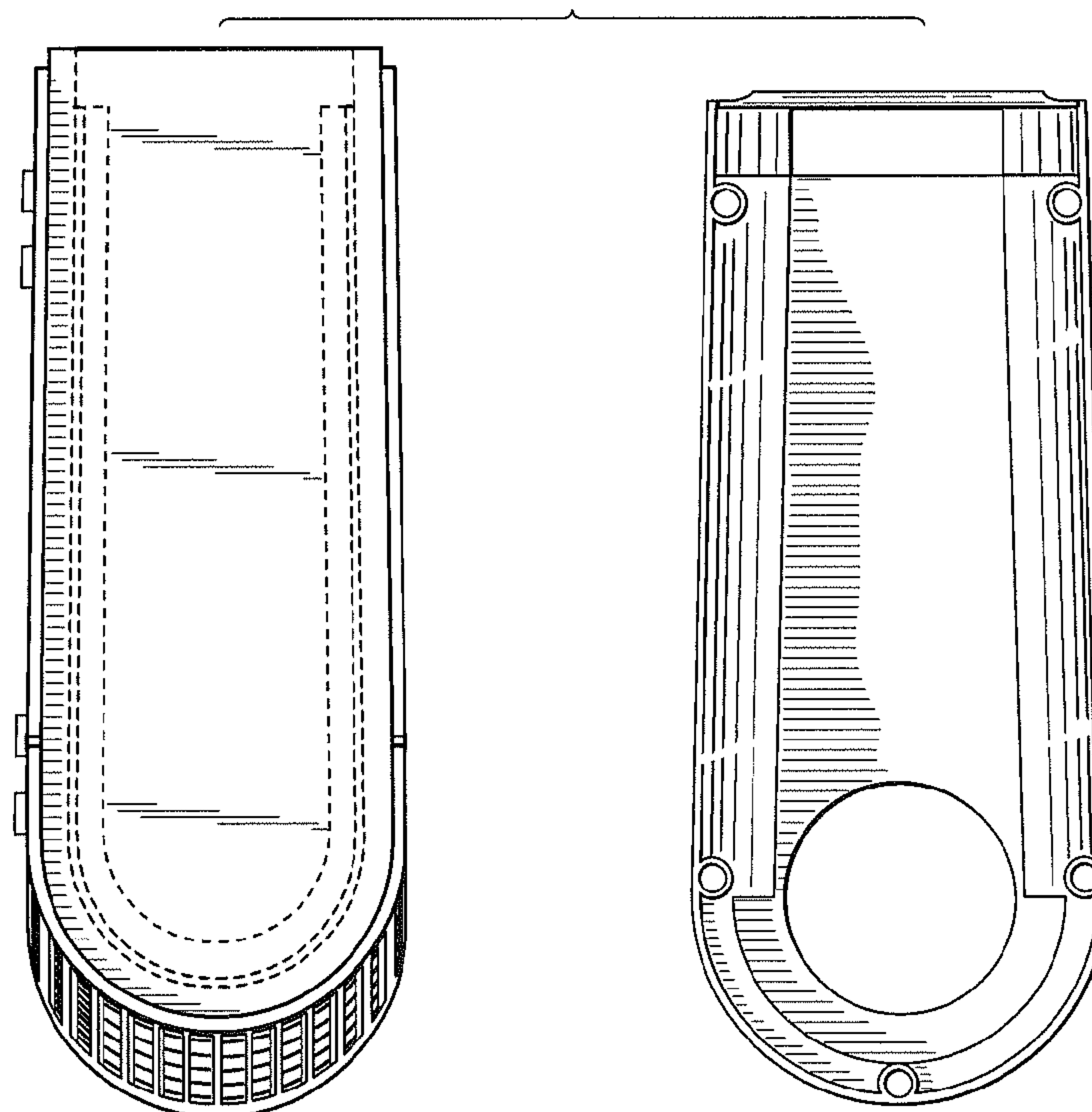




Fig. 11

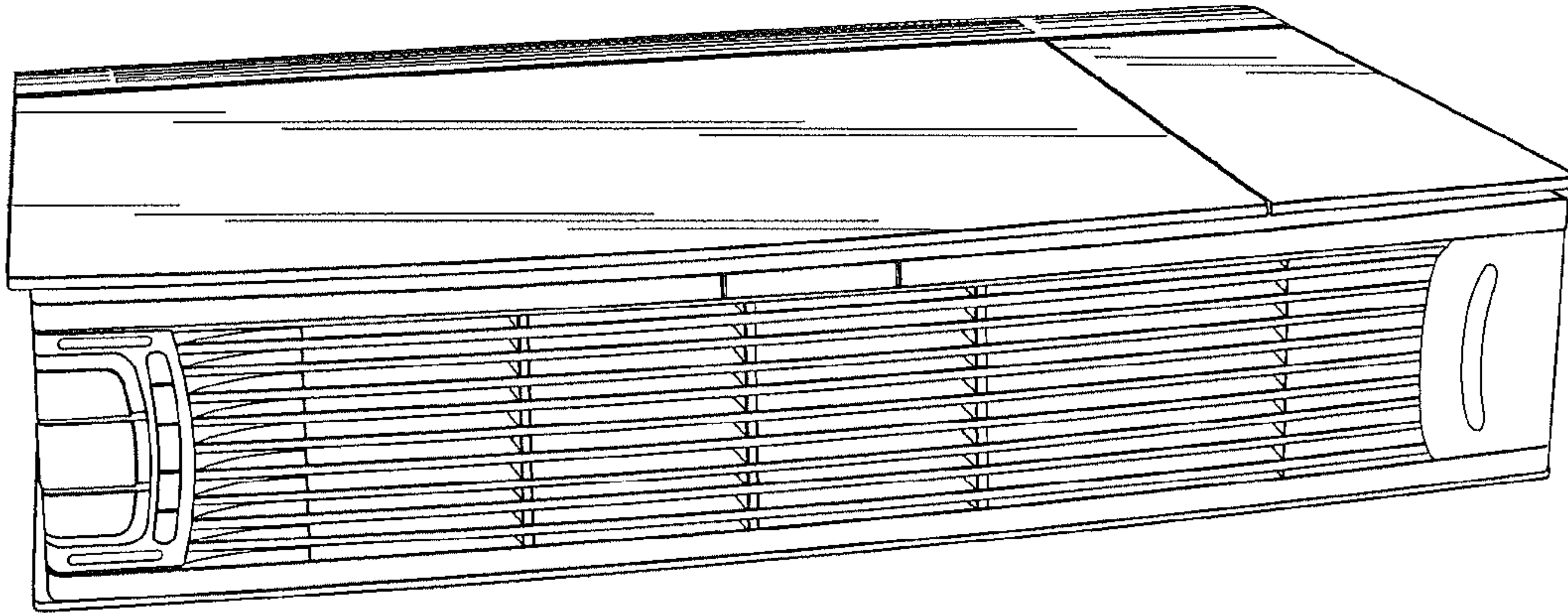


Fig. 12

