



US00D629878S

(12) **United States Design Patent**  
**Kaiser et al.**

(10) **Patent No.:** **US D629,878 S**  
(45) **Date of Patent:** **\*\* Dec. 28, 2010**

(54) **AIR CONDITIONER WITH INTEGRATED THERMAL ENERGY STORAGE**

(75) Inventors: **Gary F. Kaiser**, Fort Collins, CO (US); **Ramachandran Narayanamurthy**, Loveland, CO (US); **Donald Thomas Cook**, Berthoud, CO (US); **Thomas W. Graves**, Fort Collins, CO (US)

(73) Assignee: **Ice Energy, Inc.**, Windsor, CO (US)

(\*\*) Term: **14 Years**

(21) Appl. No.: **29/331,316**

(22) Filed: **Jan. 23, 2009**

(51) **LOC (9) Cl.** ..... **23-04**

(52) **U.S. Cl.** ..... **D23/351**

(58) **Field of Classification Search** ..... D6/314,  
D6/317, 332-333, 351; 312/236; 62/259.1,  
62/259.3, 259.4, 262-263, 304, 401, 515-516;  
454/330-331, 349-350, 354

See application file for complete search history.

(56) **References Cited**

U.S. PATENT DOCUMENTS

D271,328 S	11/1983	Lanier et al.	
4,470,271 A	9/1984	Draper et al.	
D281,008 S	10/1985	Hutter et al.	
4,612,912 A	9/1986	Lampe	
5,005,368 A	4/1991	MacCracken et al.	
D353,883 S	12/1994	Blanchard	
D362,904 S	10/1995	Wulf et al.	
5,598,720 A	2/1997	MacCracken et al.	
5,660,054 A	8/1997	Rice	
D434,126 S	11/2000	Caronna et al.	
D435,095 S *	12/2000	Nanjo	..... D23/351
D449,094 S	10/2001	Caronna et al.	
D454,186 S	3/2002	Caronna et al.	

D463,540 S	9/2002	Kammer et al.	
D492,265 S	6/2004	Chu	
D492,650 S	7/2004	Nishi	
D493,772 S	8/2004	Veino et al.	
D501,490 S	2/2005	Kerrigan	
D529,157 S	9/2006	Tice et al.	
D530,662 S	10/2006	Kokkonen et al.	
D540,452 S *	4/2007	Narayanamurthy et al.	D23/351
D603,495 S *	11/2009	Sata et al.	..... D23/351
D603,948 S *	11/2009	Ishihara	..... D23/351
D604,400 S *	11/2009	Sata et al.	..... D23/351
D604,822 S *	11/2009	Lee	..... D23/351
D605,271 S *	12/2009	Sata et al.	..... D23/351
D607,981 S *	1/2010	Yamaguchi et al.	..... D23/351
D617,886 S *	6/2010	Sata et al.	..... D23/351
D617,887 S *	6/2010	Sata et al.	..... D23/351

\* cited by examiner

*Primary Examiner*—Brian N Vinson

(74) *Attorney, Agent, or Firm*—Paul M. Thompson; Cochran Freund & Young LLC

(57) **CLAIM**

The ornamental design for an air conditioner with integrated thermal energy storage, as shown and described.

**DESCRIPTION**

FIG. 1 is an isometric view of an air conditioner with integrated thermal energy storage showing our new design.

FIG. 2 is a front elevation view thereof.

FIG. 3 is a top plan view thereof.

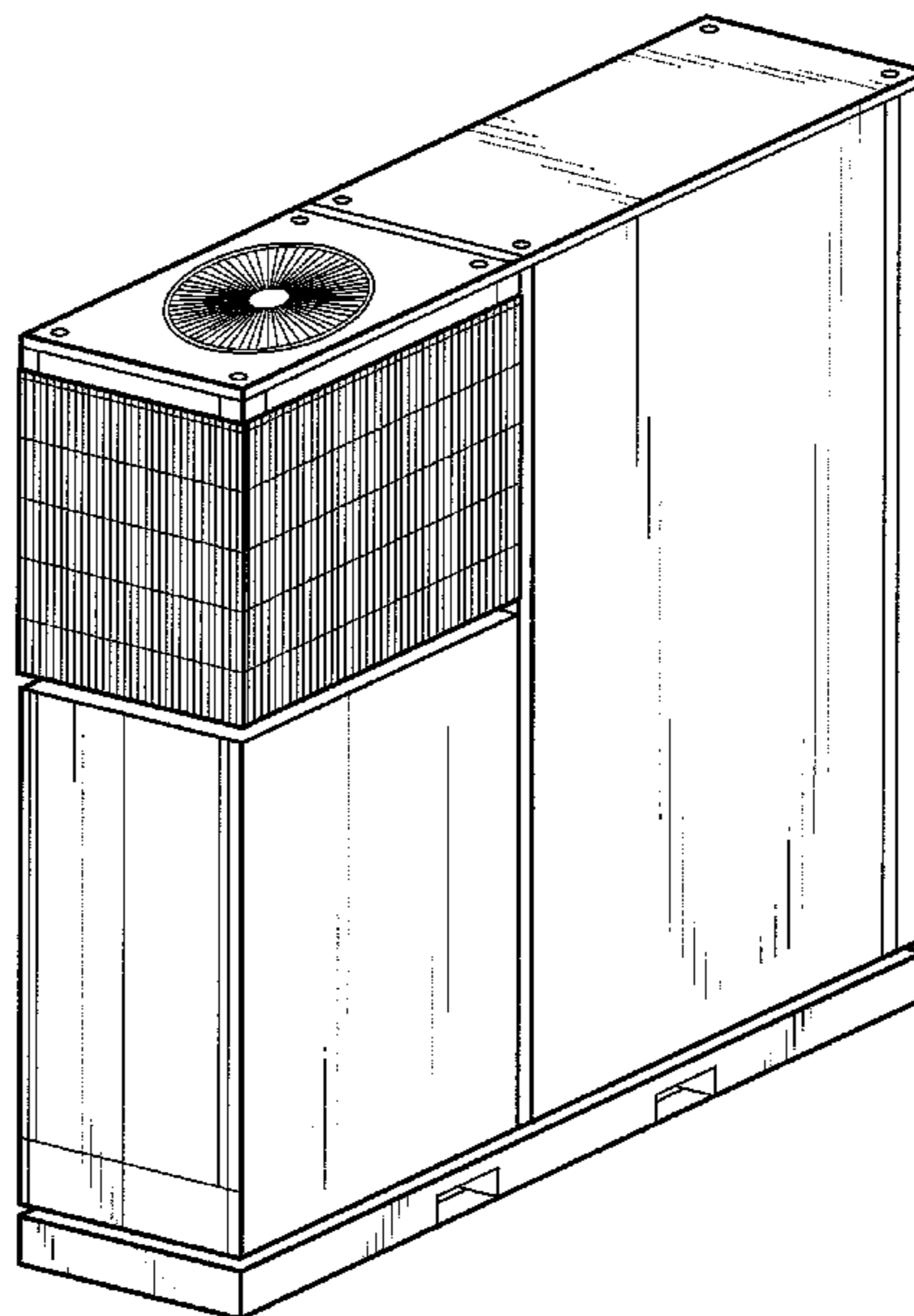
FIG. 4 is a left side elevation view thereof.

FIG. 5 is a right side elevation view thereof.

FIG. 6 is a rear elevation view thereof; and,

FIG. 7 is a bottom plan view thereof.

**1 Claim, 5 Drawing Sheets**



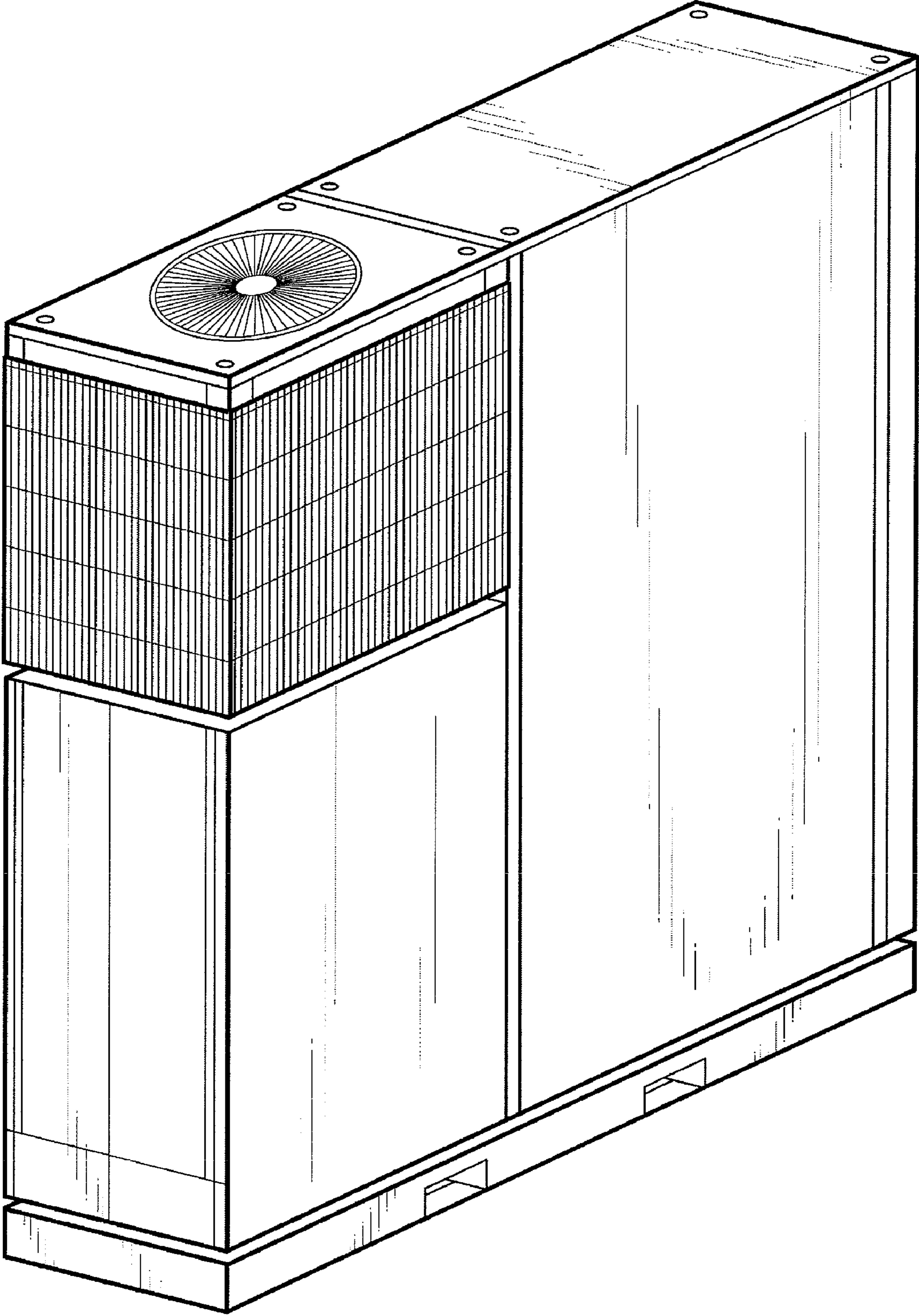


FIGURE 1

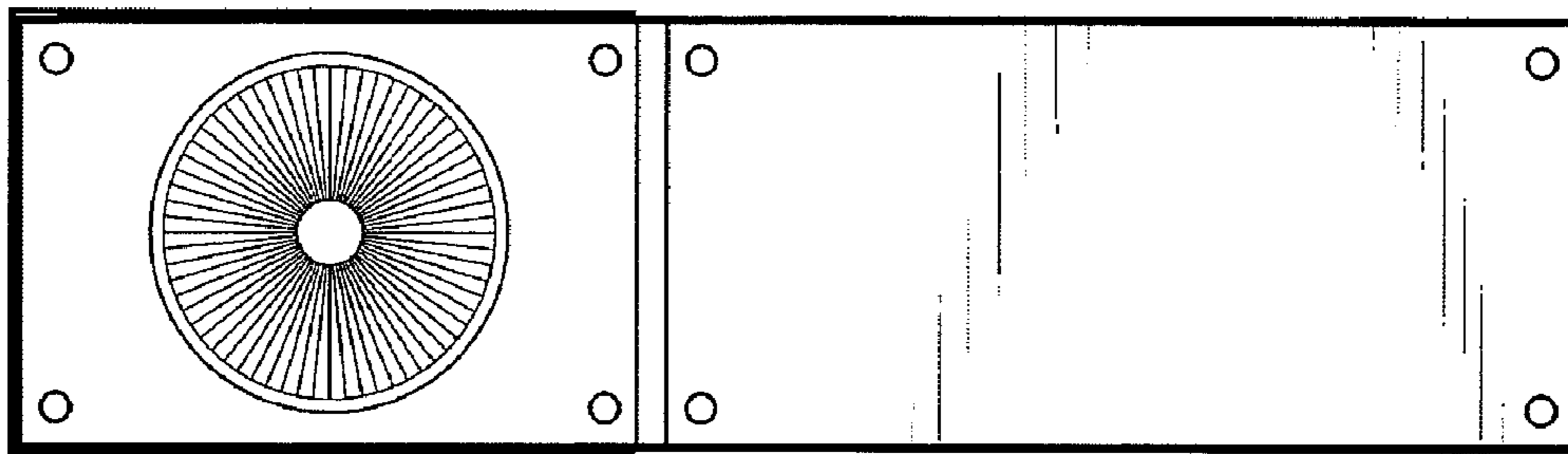


FIGURE 2

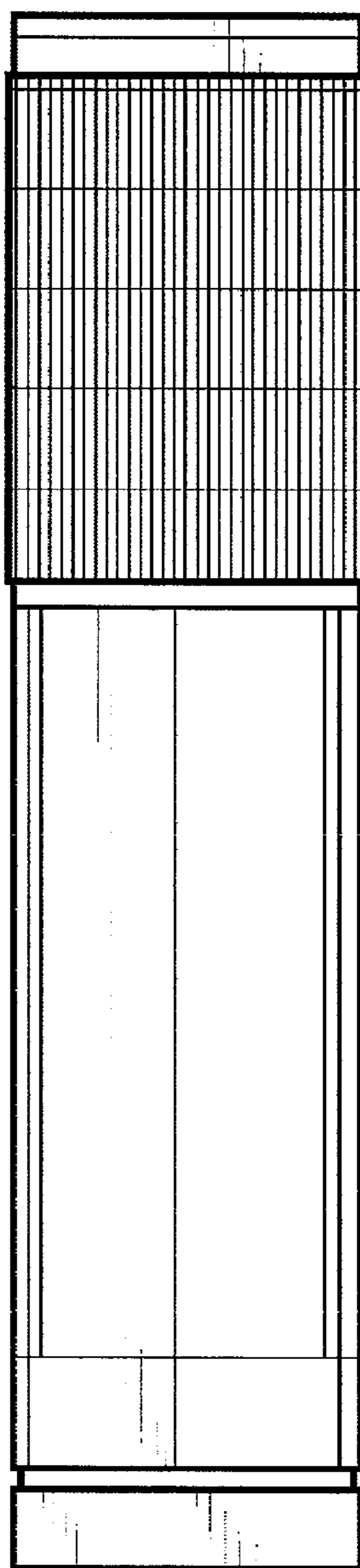


FIGURE 3

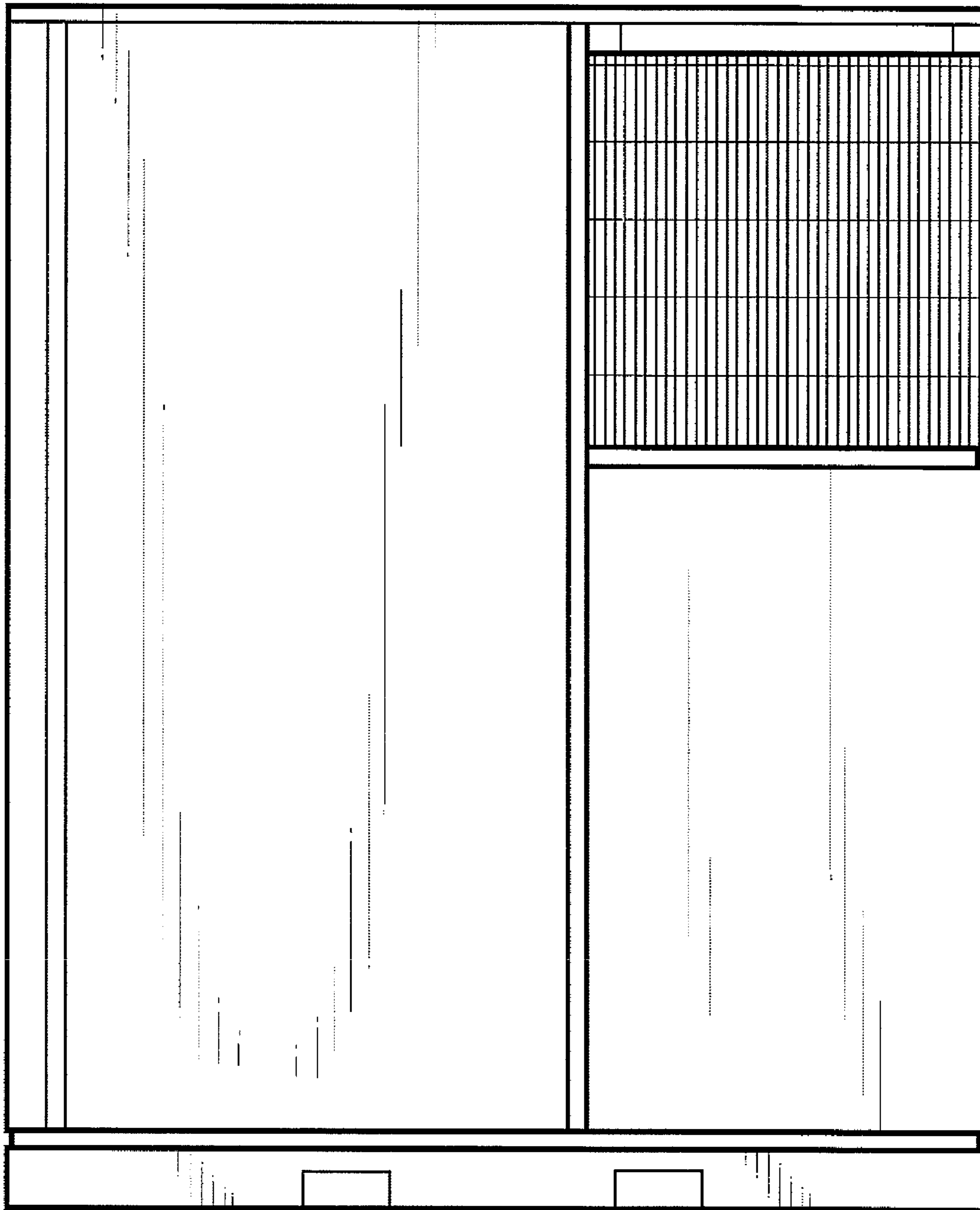


FIGURE 4

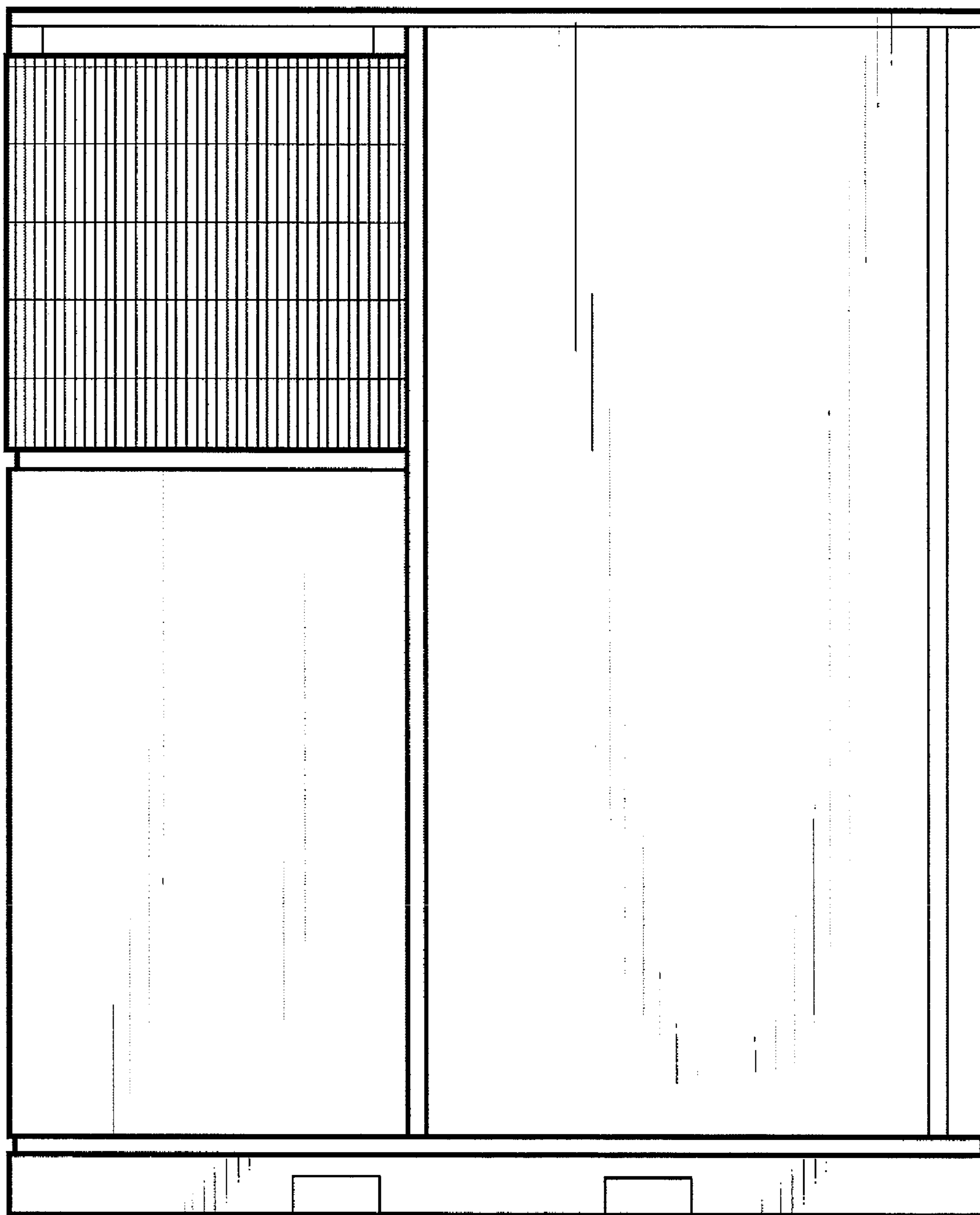


FIGURE 5

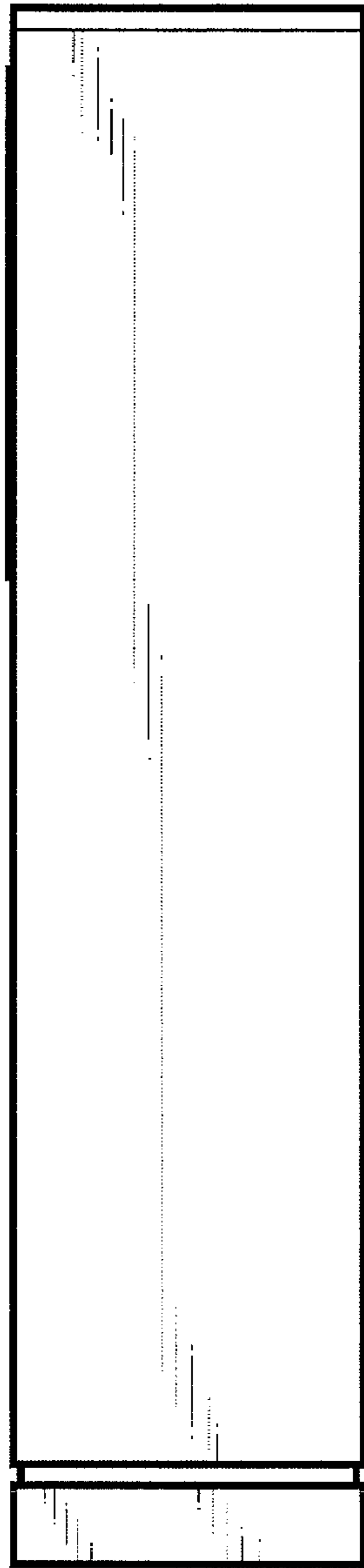


FIGURE 6

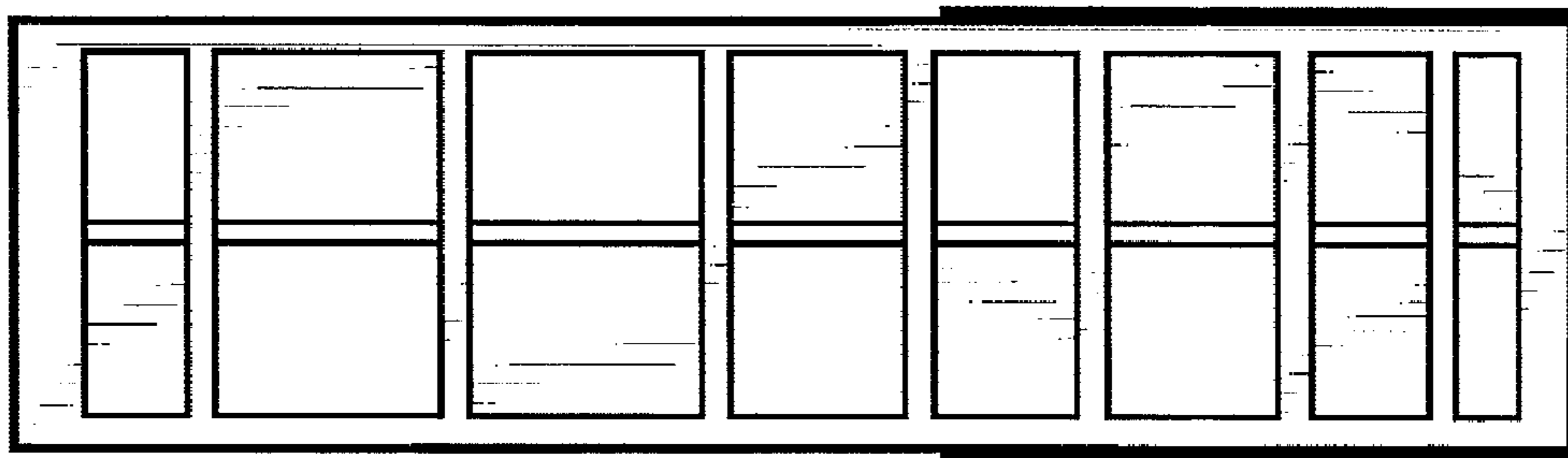


FIGURE 7