



US00D629874S

(12) **United States Design Patent**
Hermans

(10) **Patent No.:** **US D629,874 S**

(45) **Date of Patent:** **** Dec. 28, 2010**

(54) **GARBAGE DISPOSAL COVER WITH
SCRAPER**

D597,181 S * 7/2009 Jones D23/260
2007/0000037 A1* 1/2007 Wolf 4/286
2010/0206969 A1* 8/2010 Strong 241/101.01

(76) Inventor: **Ty Gerard Hermans**, 359 MacDonnell
Road, Clontarf, Queensland 4019 (AU)

* cited by examiner

(**) Term: **14 Years**

Primary Examiner—T. Chase Nelson

Assistant Examiner—Eric L Goodman

(21) Appl. No.: **29/349,214**

(74) *Attorney, Agent, or Firm*—Abelman, Frayne & Schwab

(22) Filed: **Mar. 16, 2010**

(57) **CLAIM**

(30) **Foreign Application Priority Data**

The ornamental design for a garbage disposal cover with
scraper, as shown and described.

Nov. 23, 2009 (AU) 14564/2009

DESCRIPTION

(51) **LOC (9) Cl.** **23-01**

FIG. 1 is a top plan view of the garbage disposal cover with
scraper of my new design;

(52) **U.S. Cl.** **D23/260**

FIG. 2 is a right side elevation view thereof;

(58) **Field of Classification Search** D23/259–265;
4/222.1, 309, 286–293, 255.07, 680–682,
4/694; 137/493

FIG. 3 is a left side elevation view thereof;

See application file for complete search history.

FIG. 4 is a bottom view thereof;

(56) **References Cited**

FIG. 5 is a top plan view of another embodiment of the design;

U.S. PATENT DOCUMENTS

FIG. 6 is a right side elevation view thereof;

2,709,046 A * 5/1955 Hyde 4/295

FIG. 7 is a left side elevation view thereof; and,

D266,963 S * 11/1982 Sherman D32/35

FIG. 8 is a bottom view thereof.

4,932,082 A * 6/1990 Ridgeway 4/287

D418,907 S * 1/2000 Minnick D23/260

1 Claim, 4 Drawing Sheets

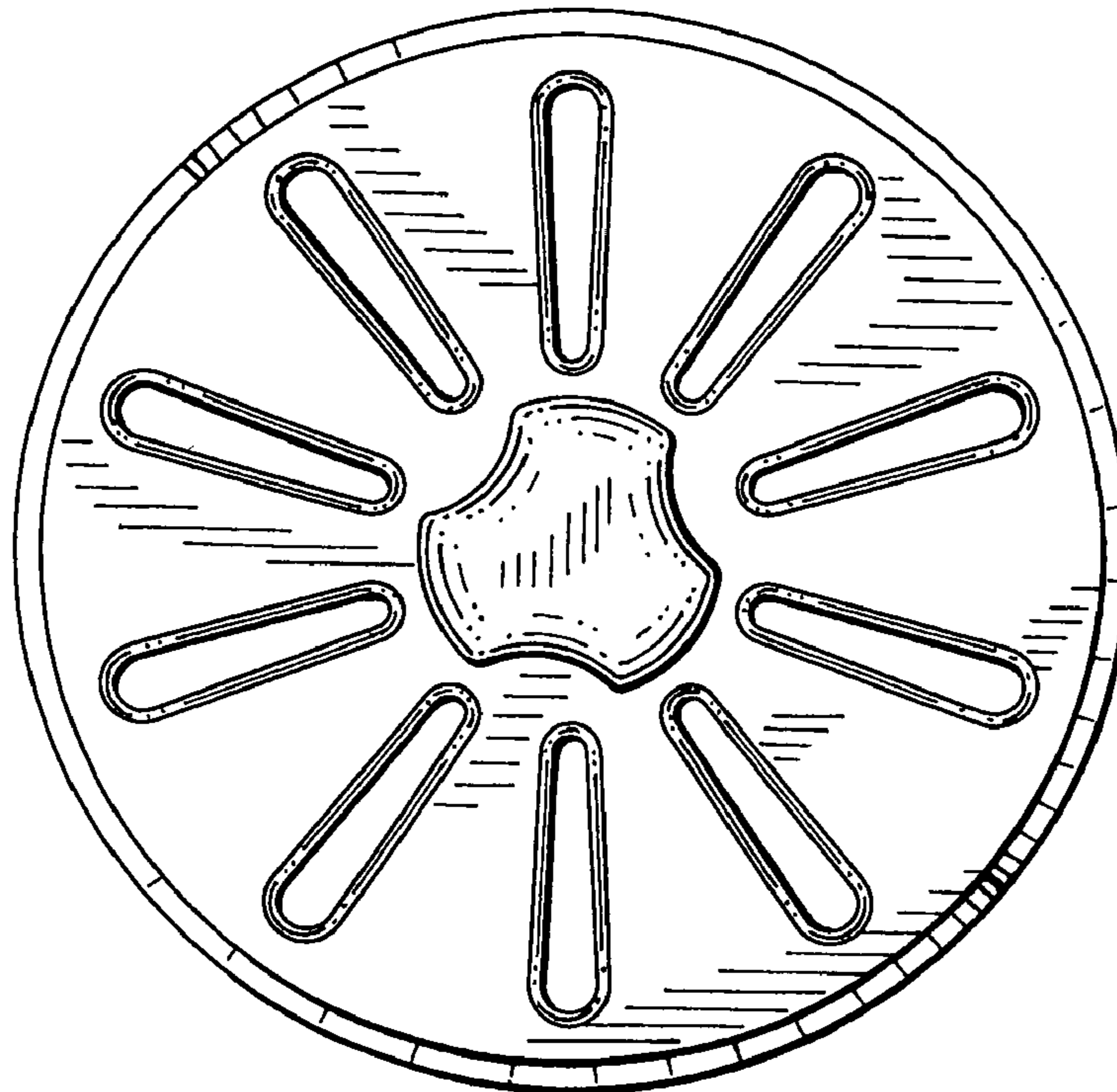


FIG. 1

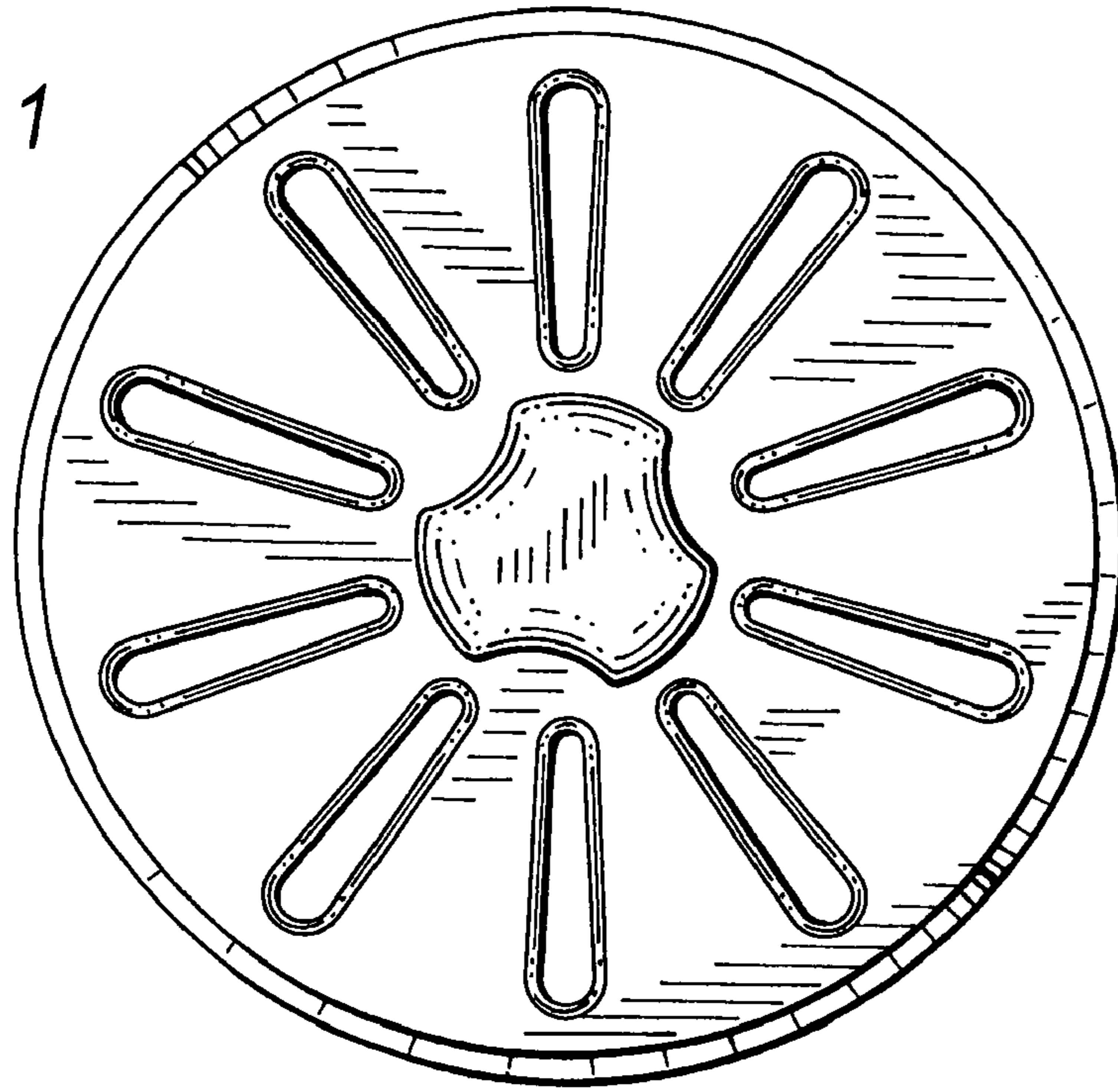


FIG. 2

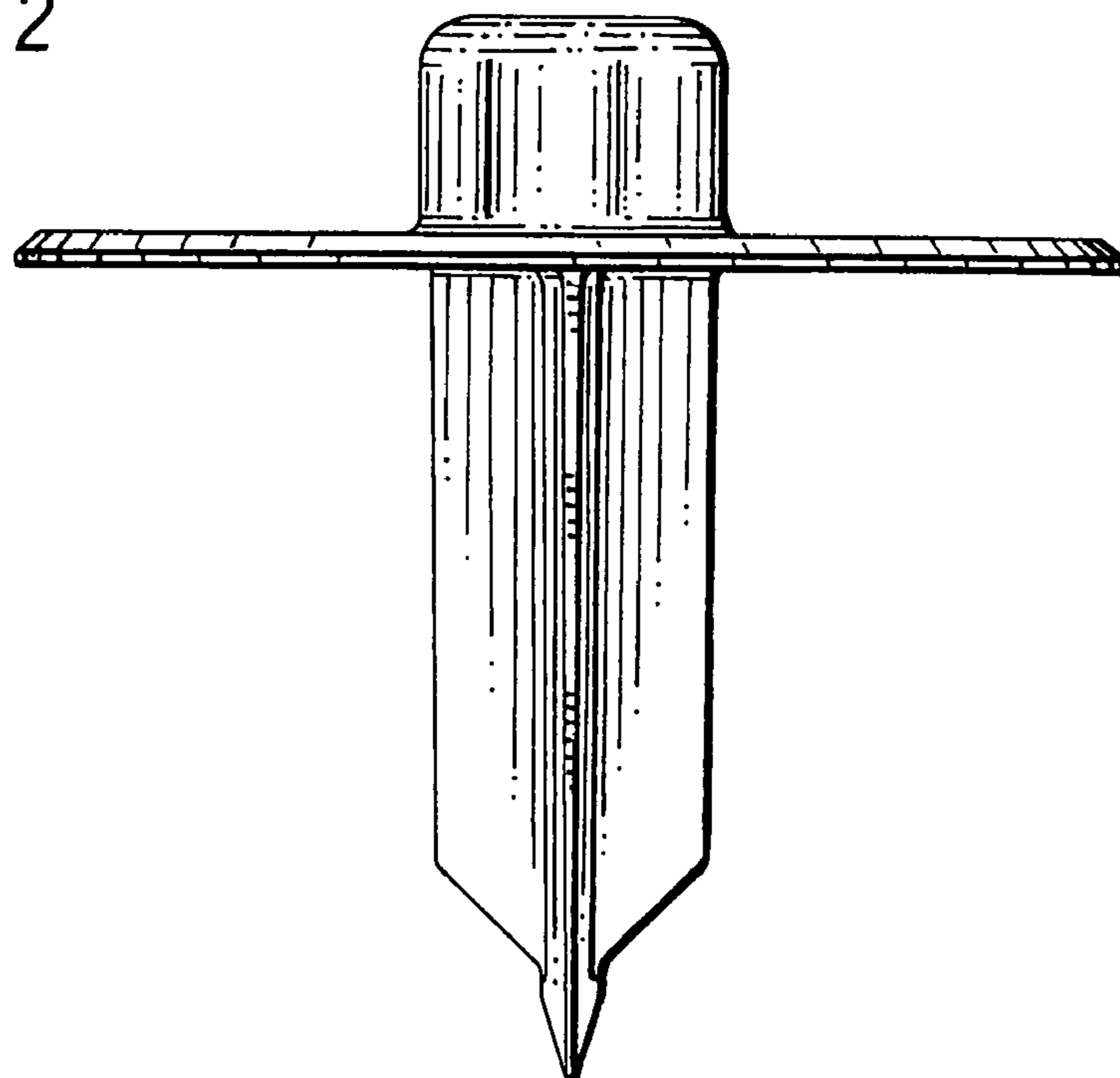


FIG. 3

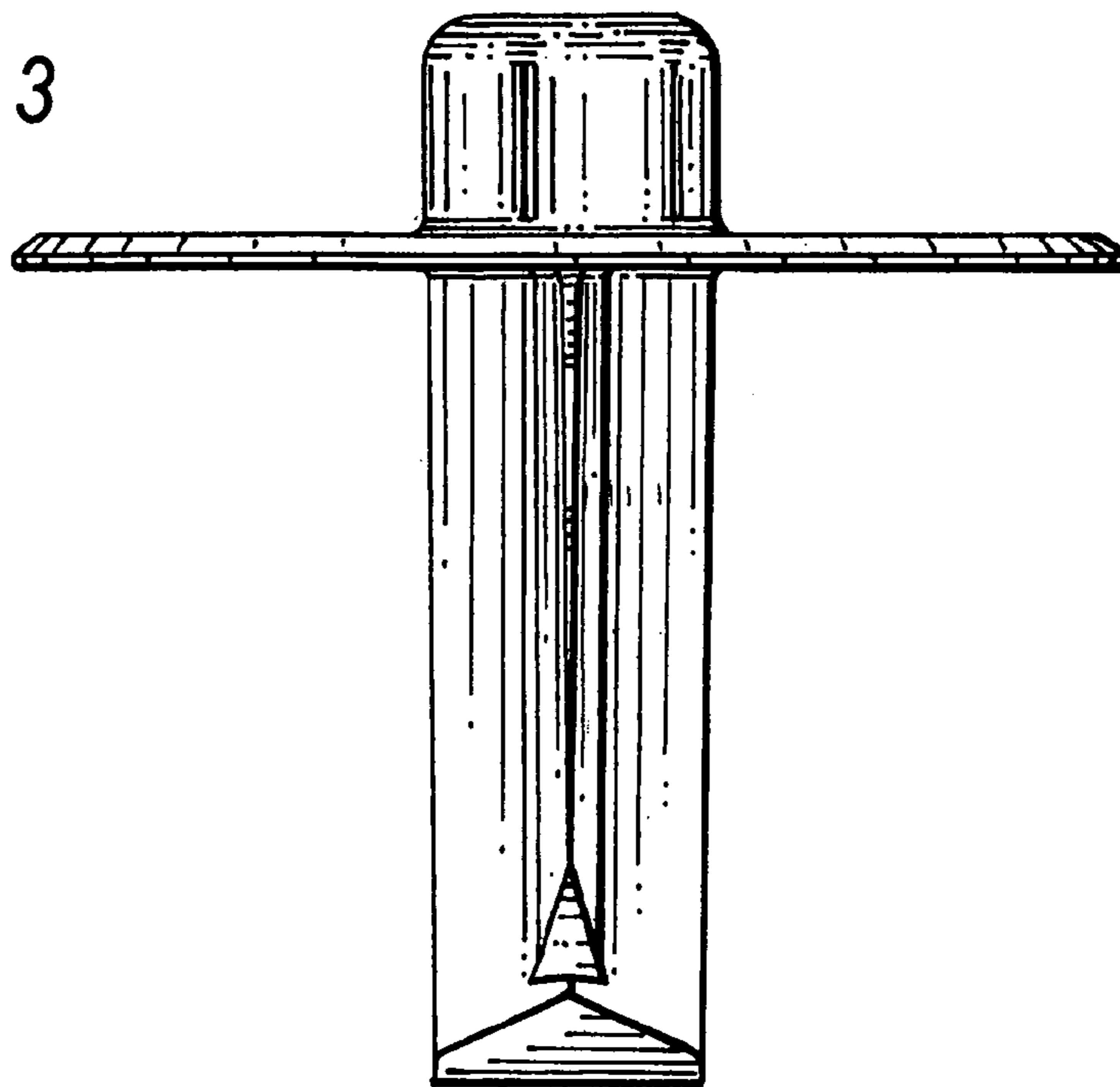


FIG. 4

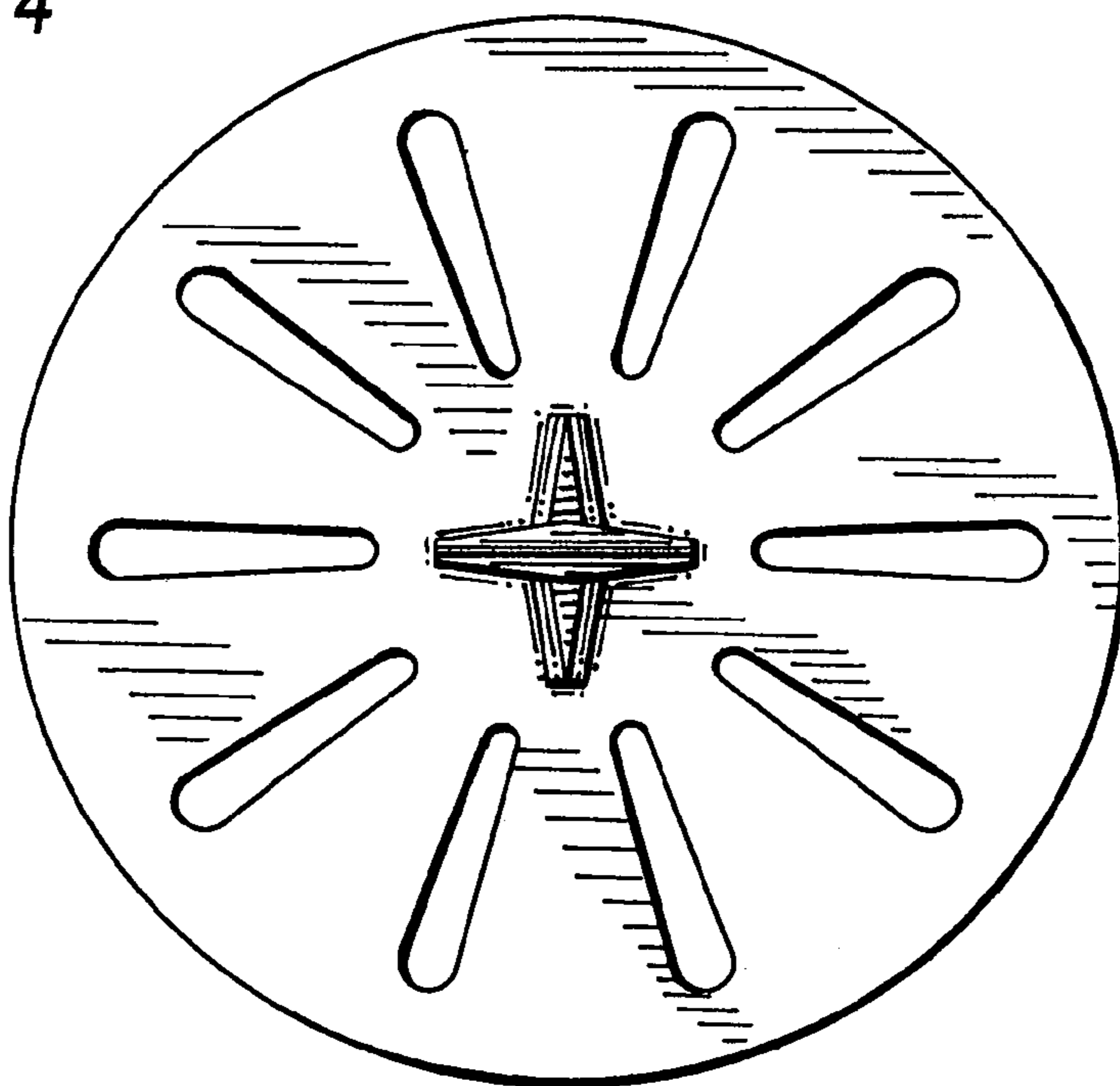


FIG. 5

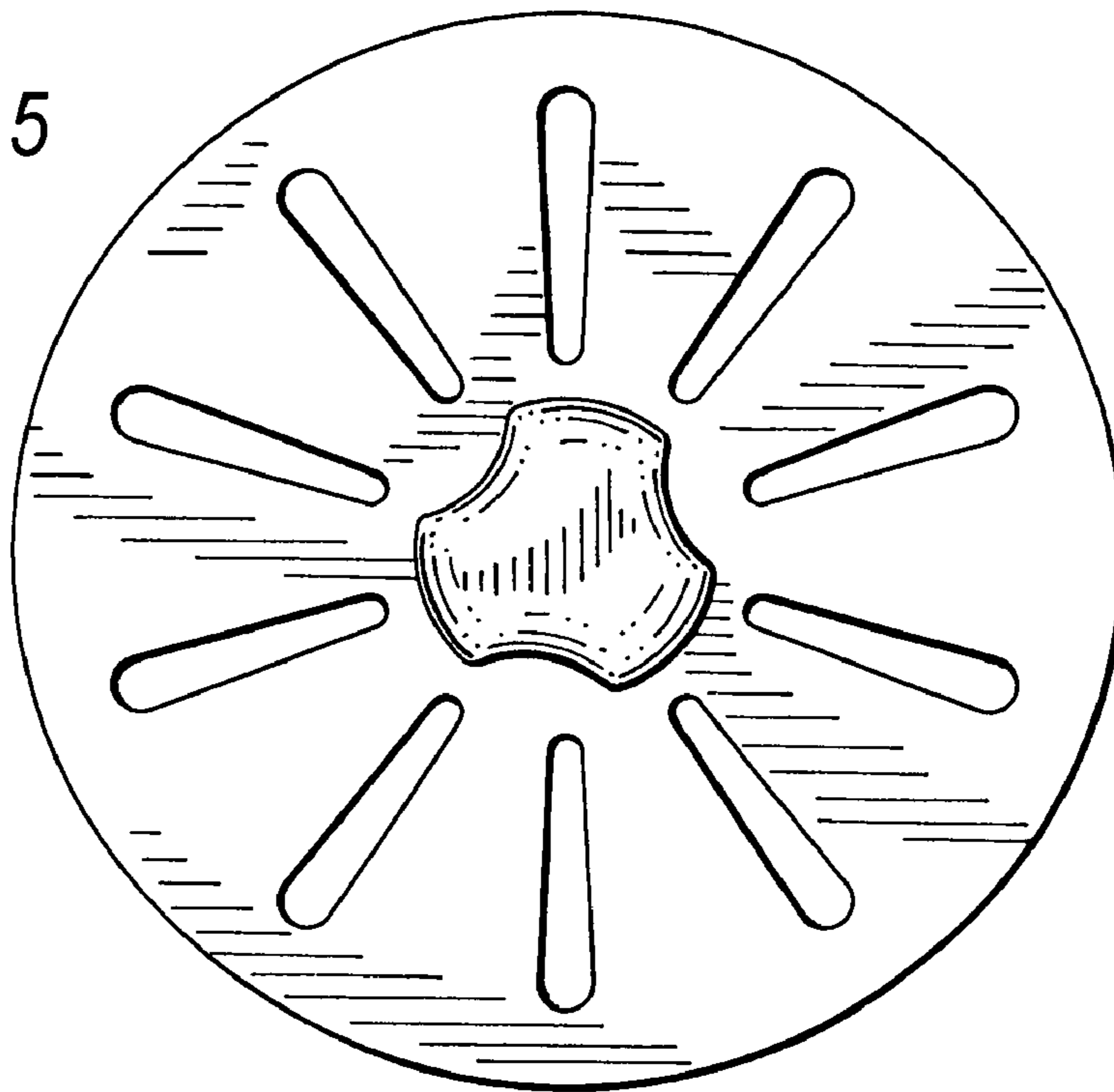


FIG. 6

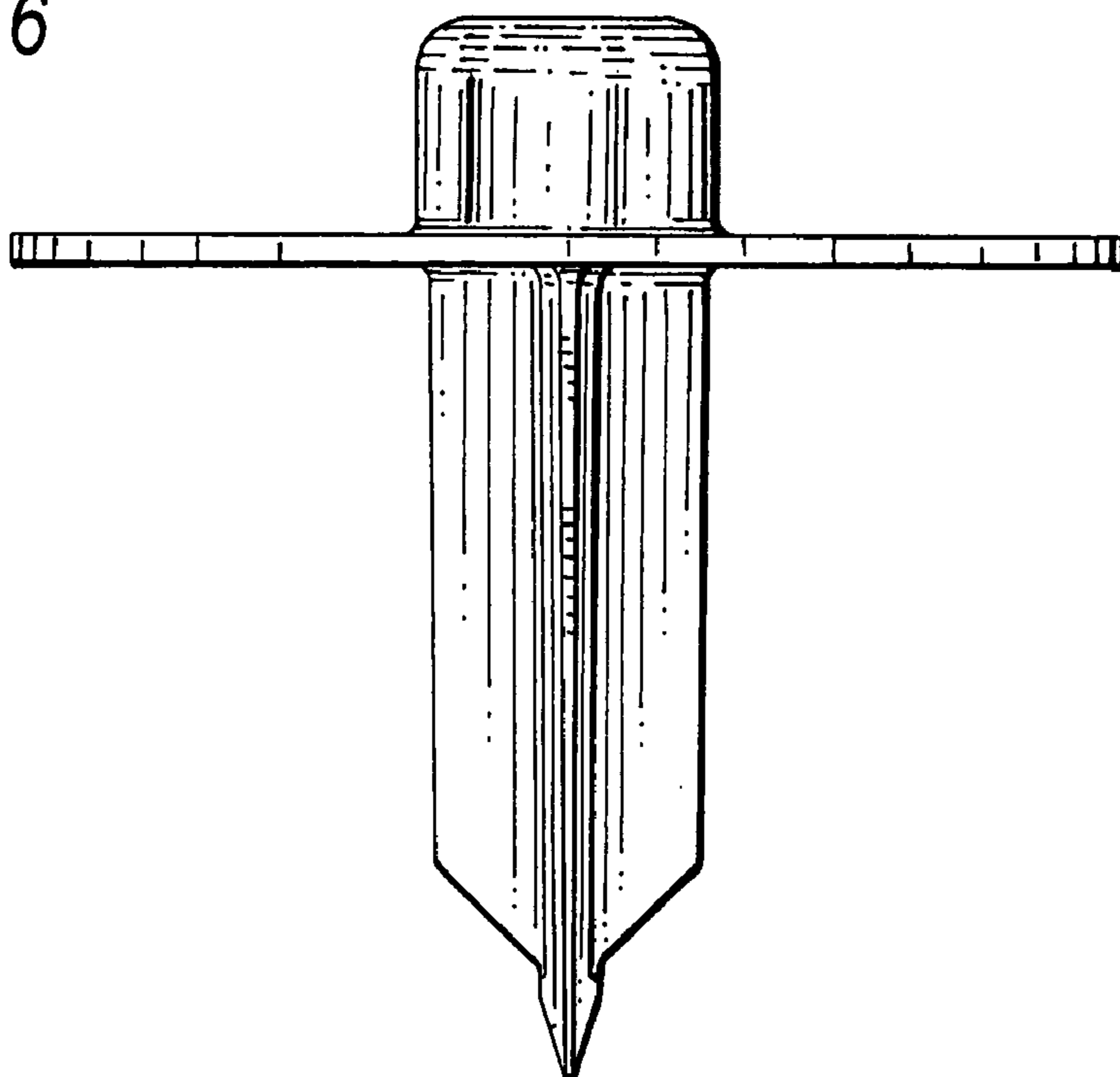


FIG. 7

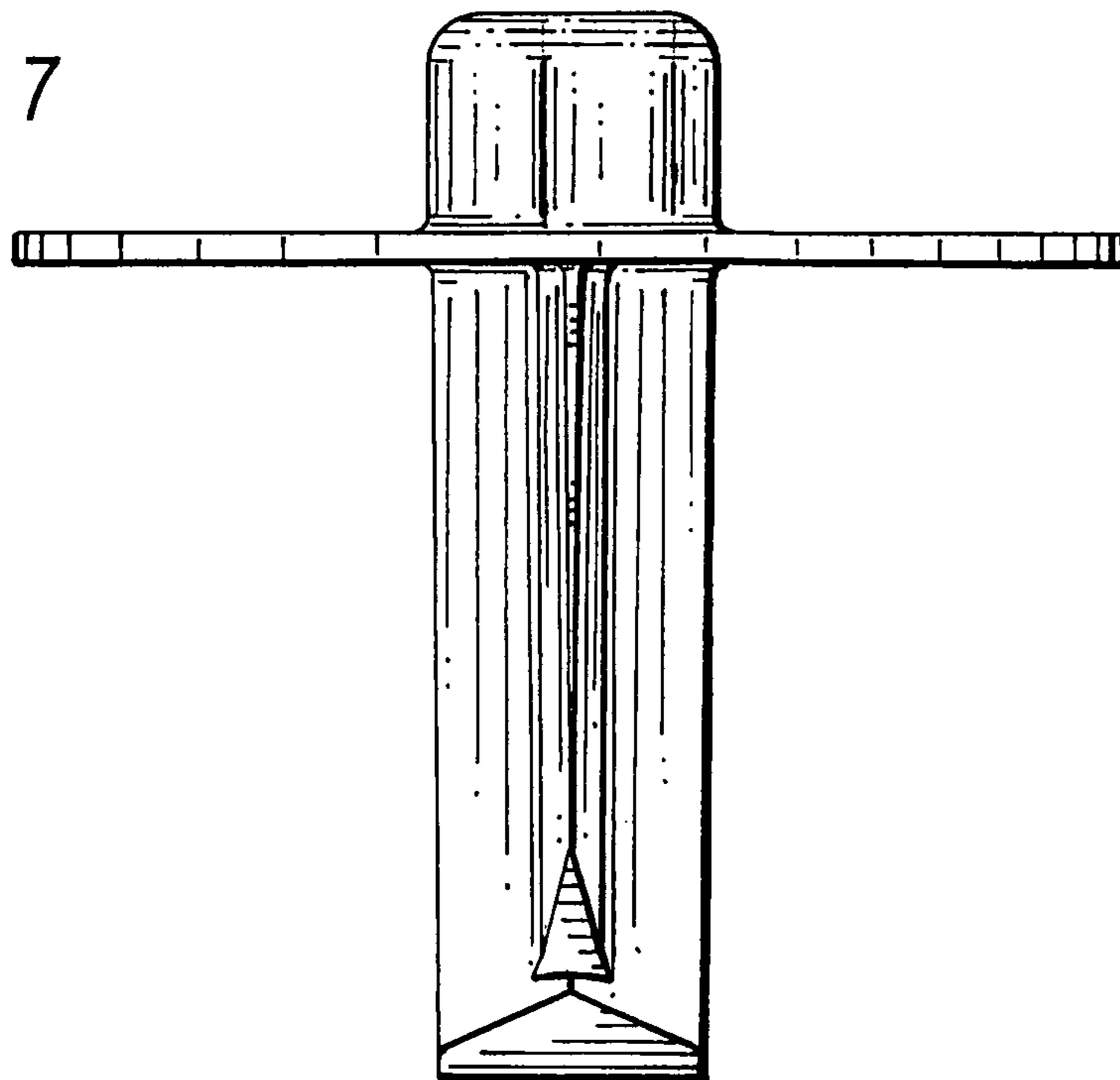


FIG. 8

