



US00D629871S

(12) **United States Design Patent**  
**Marinoni et al.**

(10) **Patent No.:** **US D629,871 S**

(45) **Date of Patent:** **\*\* Dec. 28, 2010**

(54) **FLUID DYNAMIC ACTUATOR**

(75) Inventors: **Antonio Marinoni**, Grumello Del Monte (IT); **Ignazio Paris**, Grumello Del Monte (IT); **Santo Rota**, Albano Sant’Alessandro (IT)

(73) Assignee: **Air Torque S.p.A.**, Costa Di Mezzate (IT)

(\*\*) Term: **14 Years**

(21) Appl. No.: **29/311,969**

(22) Filed: **Aug. 10, 2009**

(30) **Foreign Application Priority Data**

Feb. 16, 2009 (EM) ..... 001088751

(51) **LOC (9) Cl.** ..... **23-01**

(52) **U.S. Cl.** ..... **D23/249**

(58) **Field of Classification Search** ..... D13/158;  
D10/85, 96; D15/143, 199; D23/233, 235,  
D23/249; 60/404; 137/315.35, 315.21, 554,  
137/556; 251/14, 28, 58, 291, 292  
See application file for complete search history.

(56) **References Cited**

**U.S. PATENT DOCUMENTS**

3,982,725 A \* 9/1976 Clark ..... 251/14  
5,950,427 A \* 9/1999 Demerjian et al. .... 60/404

5,954,088 A \* 9/1999 Huang ..... 137/315.21  
6,170,797 B1 \* 1/2001 Kimura et al. .... 251/62  
6,173,740 B1 \* 1/2001 Marinoni et al. .... 137/554  
6,748,967 B1 \* 6/2004 Smiltneek ..... 137/315.17  
D494,659 S \* 8/2004 Marinoni et al. .... D23/249  
6,848,672 B2 \* 2/2005 Cross et al. .... 251/292  
D603,341 S \* 11/2009 Kawakami et al. .... D13/158

\* cited by examiner

*Primary Examiner*—Selina Sikder

(74) *Attorney, Agent, or Firm*—Modiano & Associati; Albert Josif; Daniel O’Byrne

(57) **CLAIM**

The ornamental design for the “fluid dynamic actuator”, as shown and described.

**DESCRIPTION**

FIG. 1 is a perspective view of the fluid dynamic actuator, showing our new design;

FIG. 2 is a front elevation view thereof;

FIG. 3 is a rear elevation view thereof;

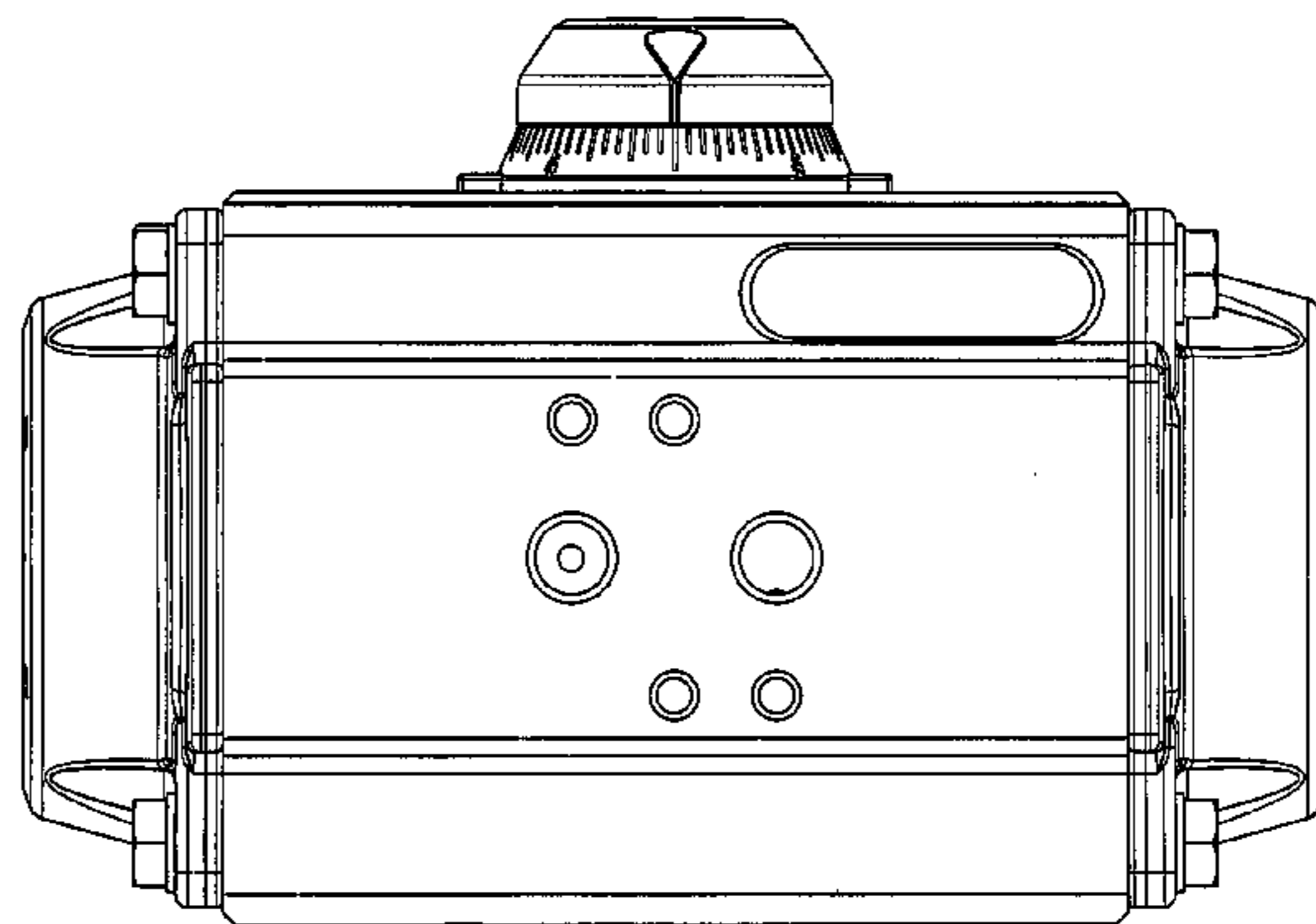
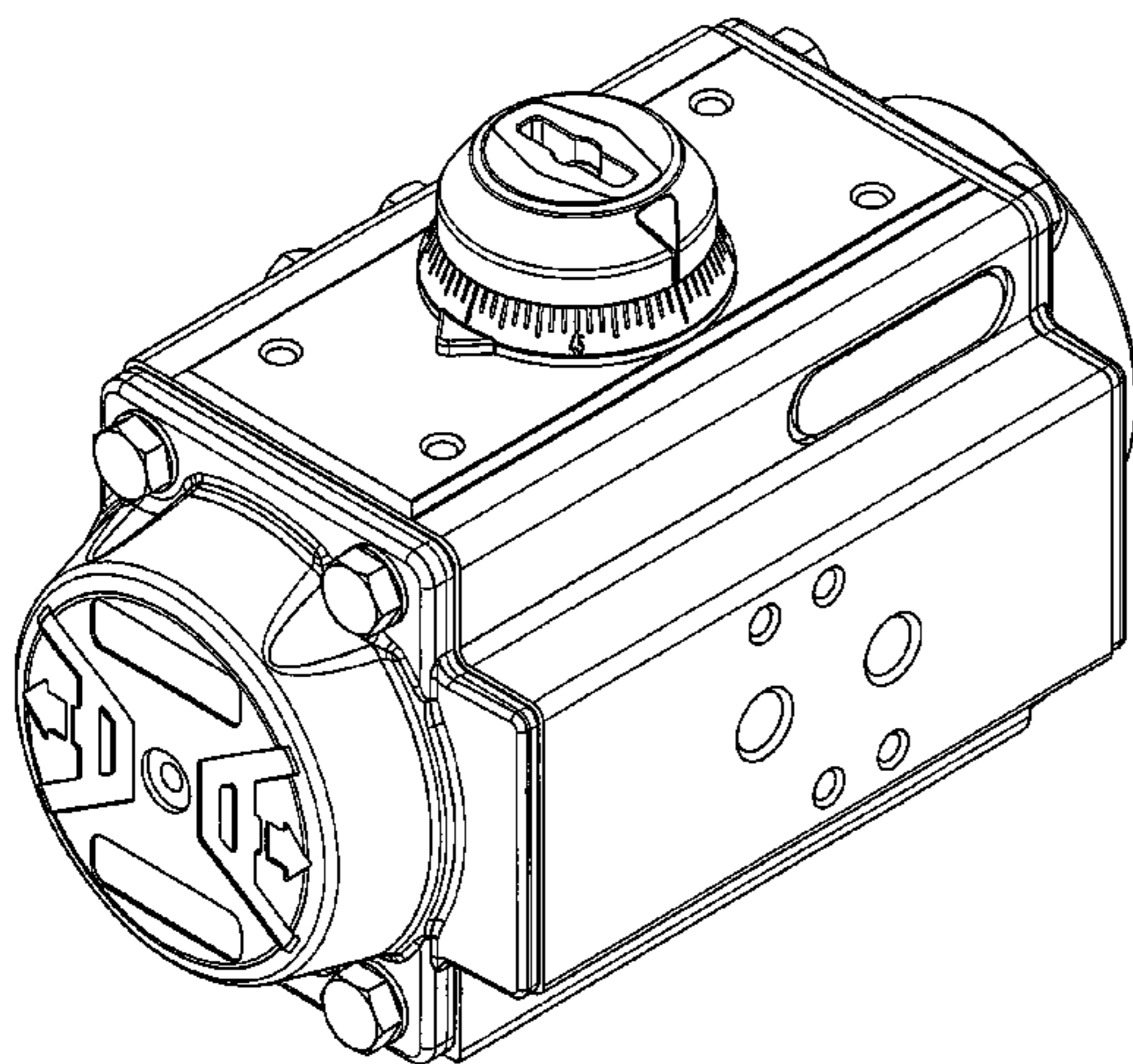
FIG. 4 is a left side view thereof;

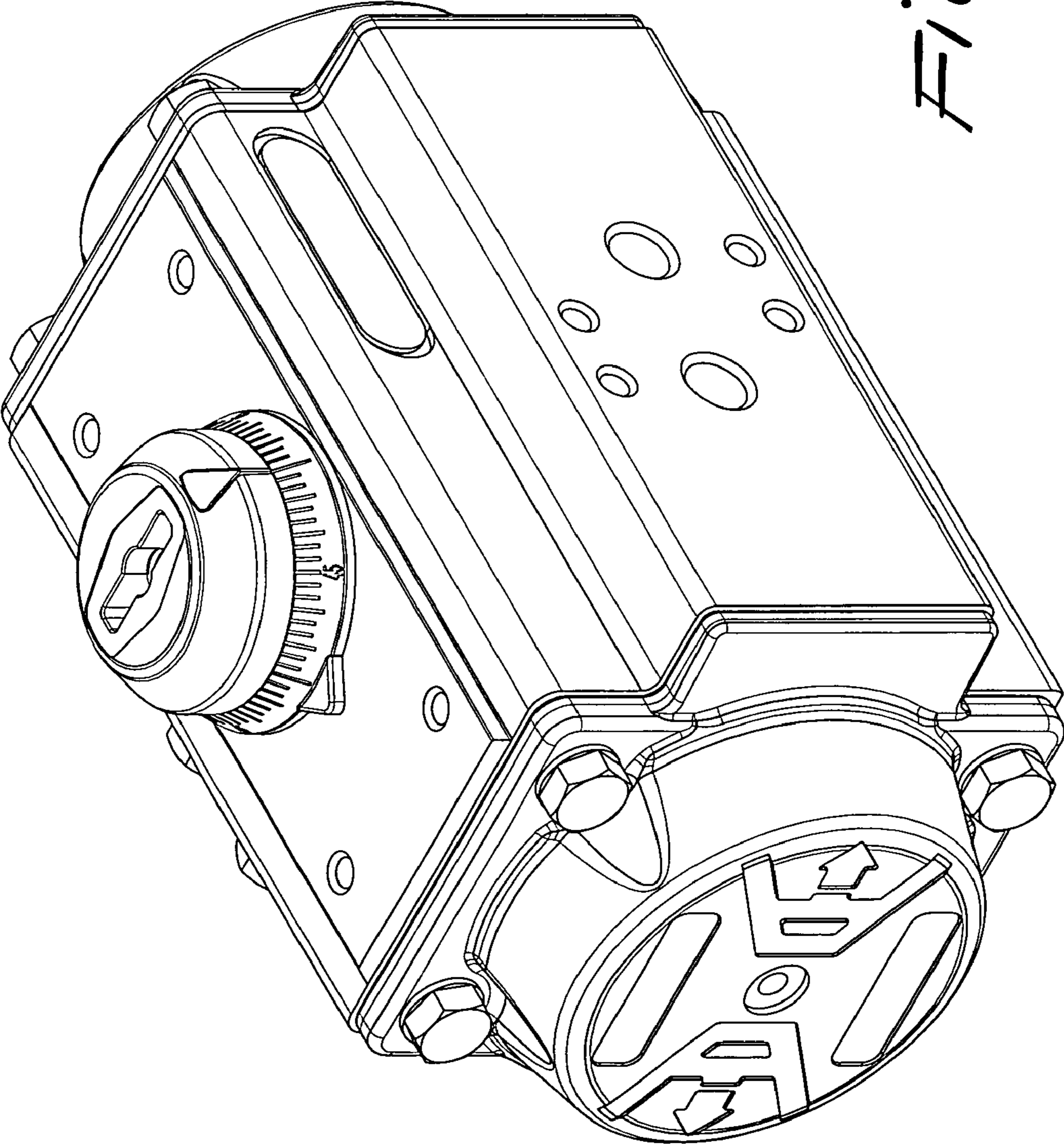
FIG. 5 is a right side view thereof;

FIG. 6 is a plan view thereof, taken from above; and,

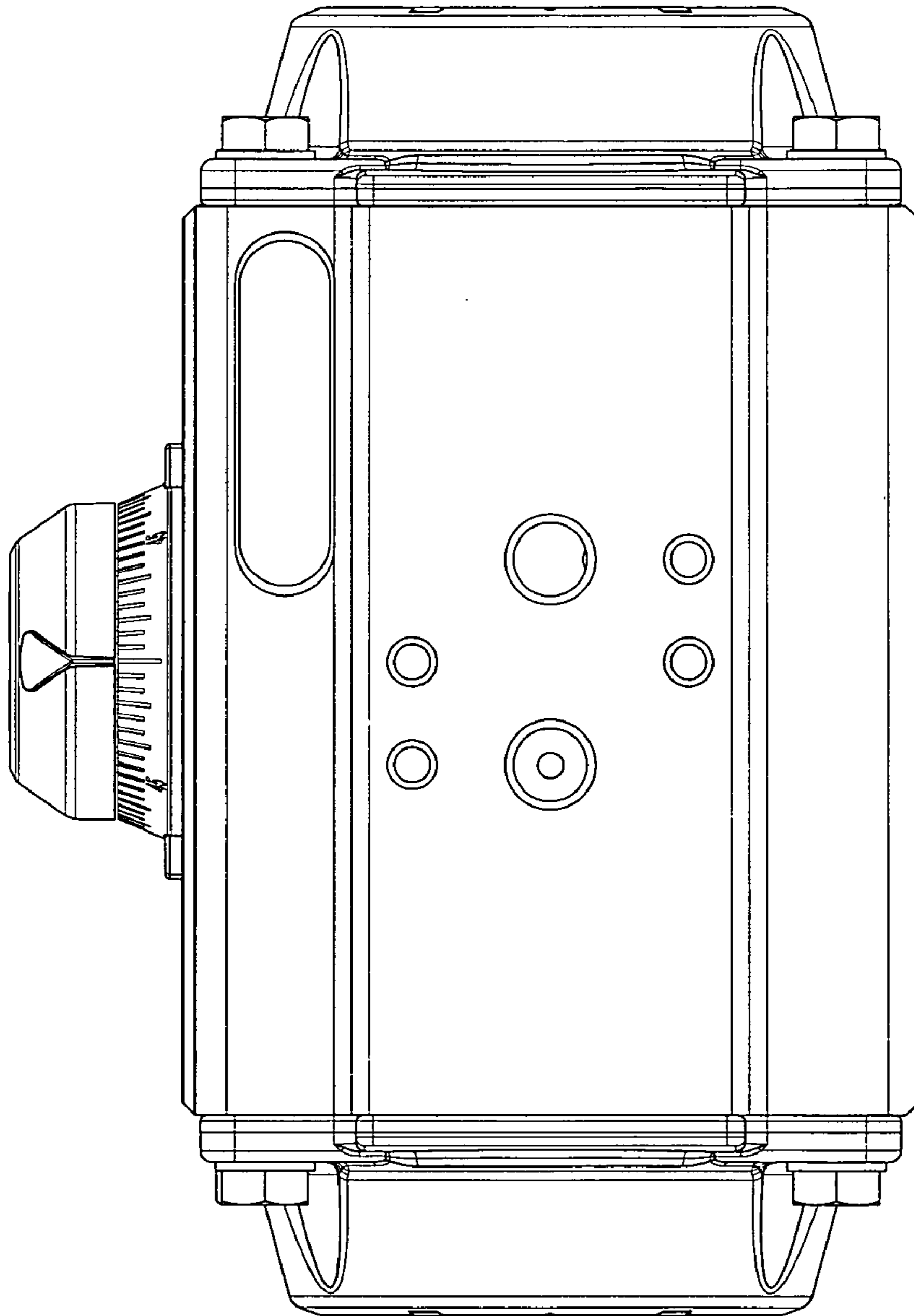
FIG. 7 is a plan view thereof, taken from below, wherein the broken lines form no part of the claimed design.

**1 Claim, 7 Drawing Sheets**

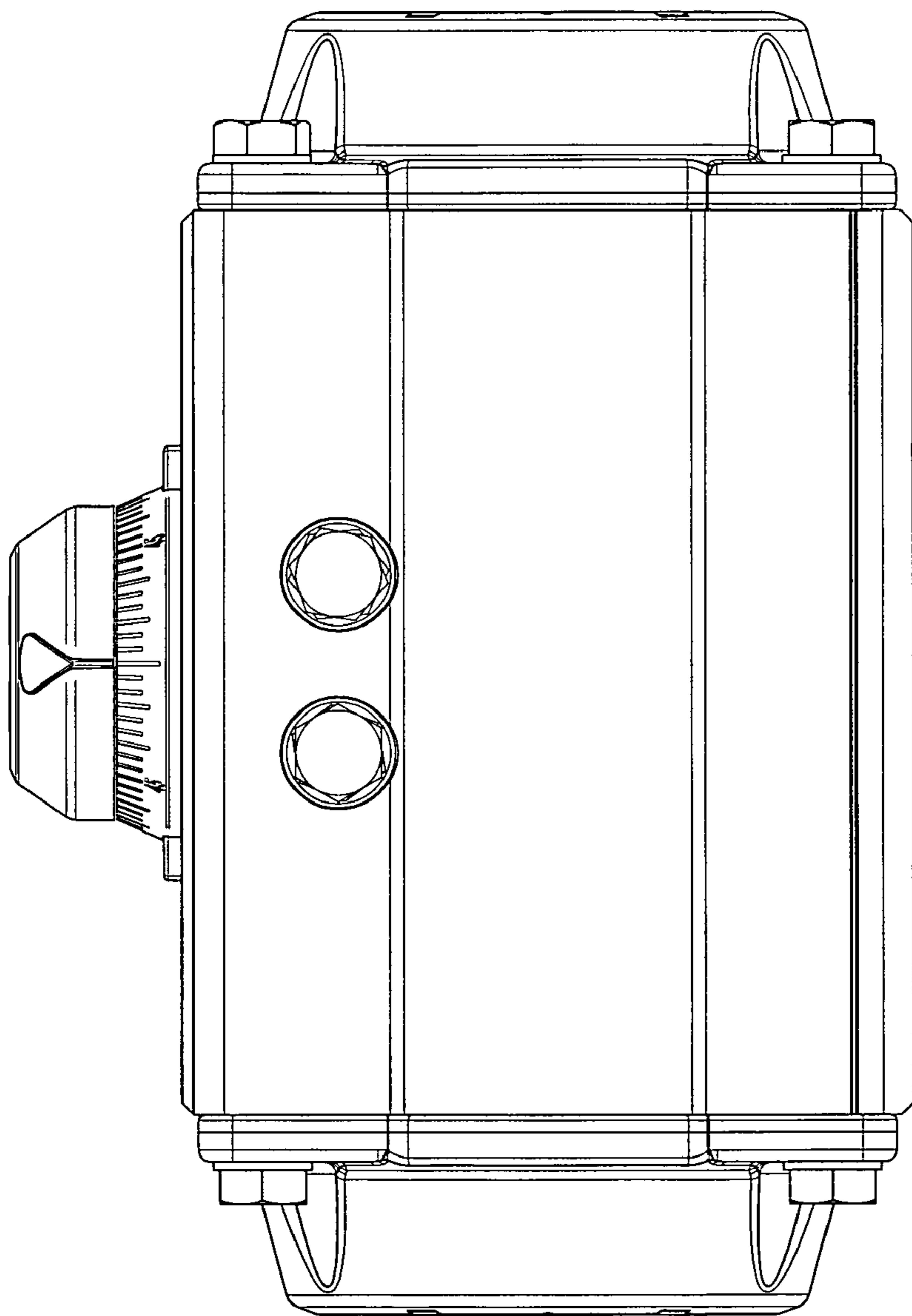




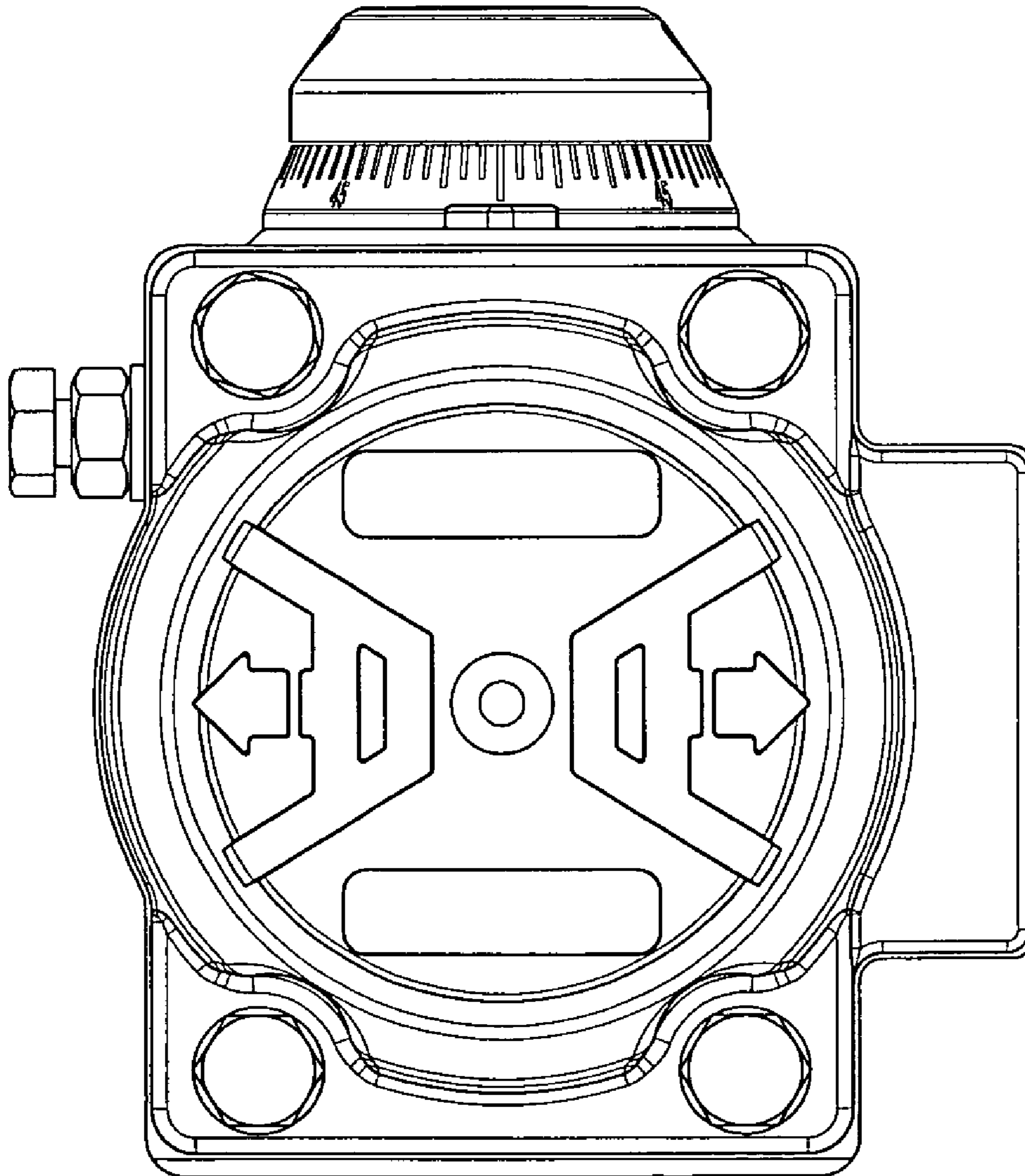
*Fig. 1*



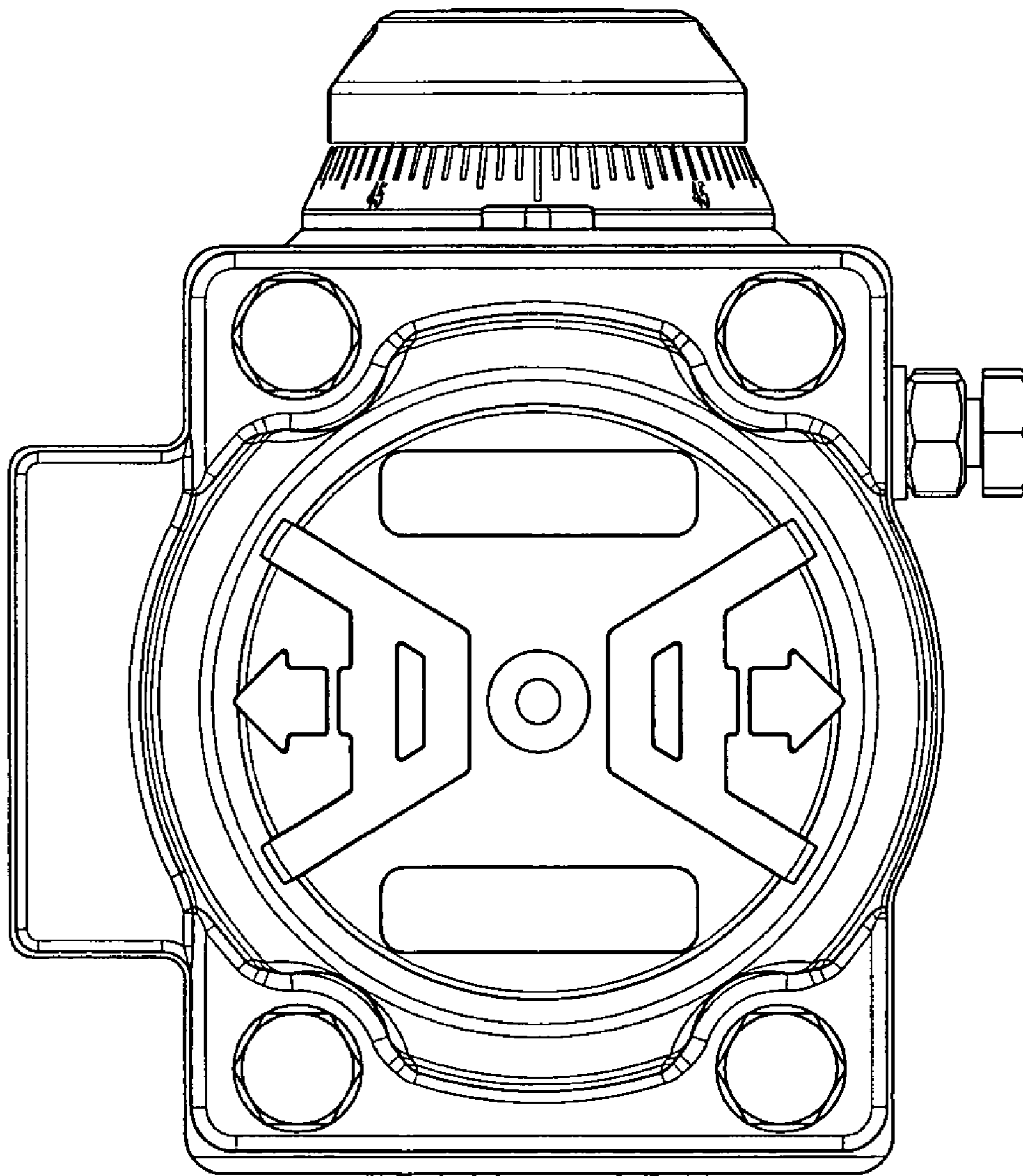
*Fig. 2*



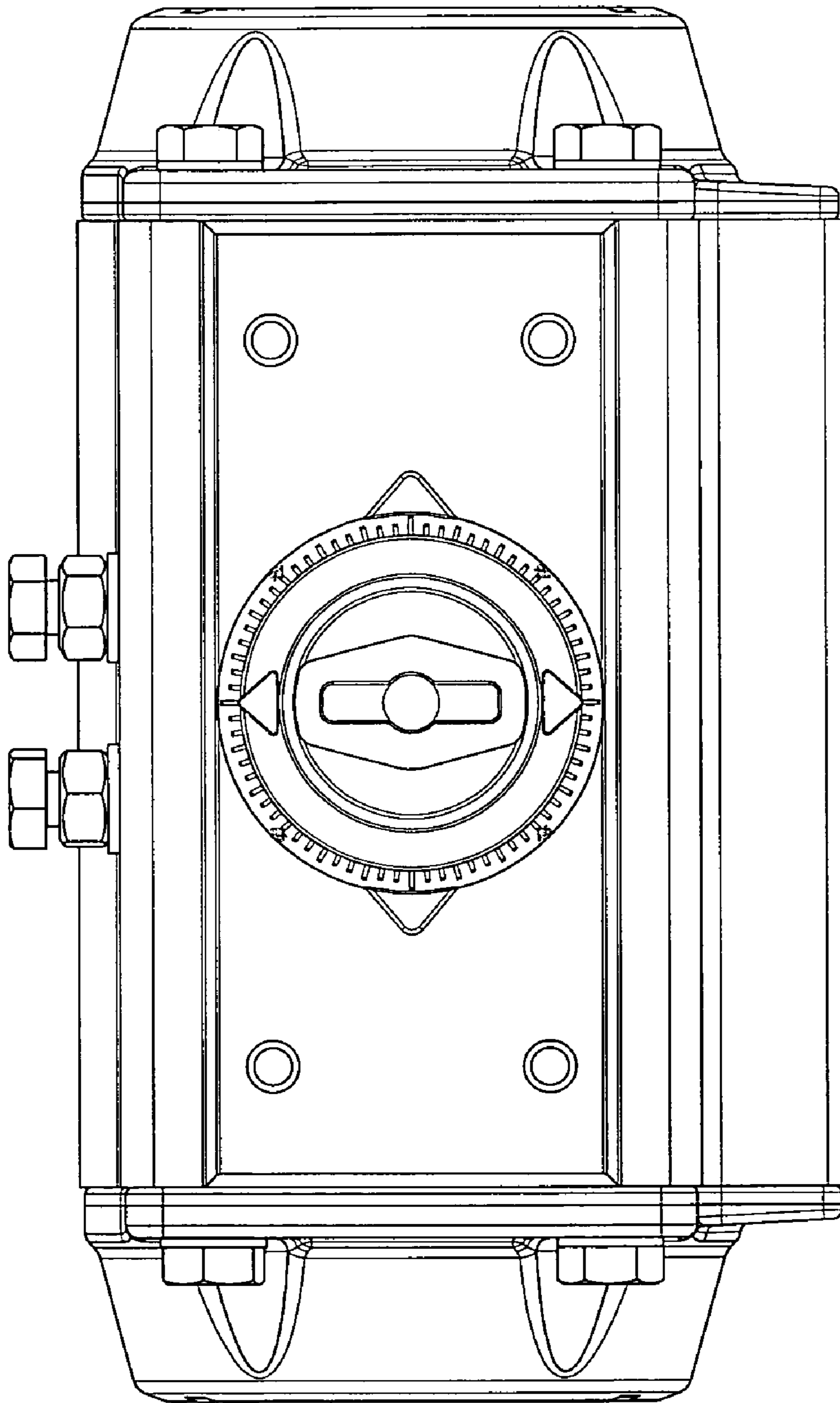
*Fig. 3*



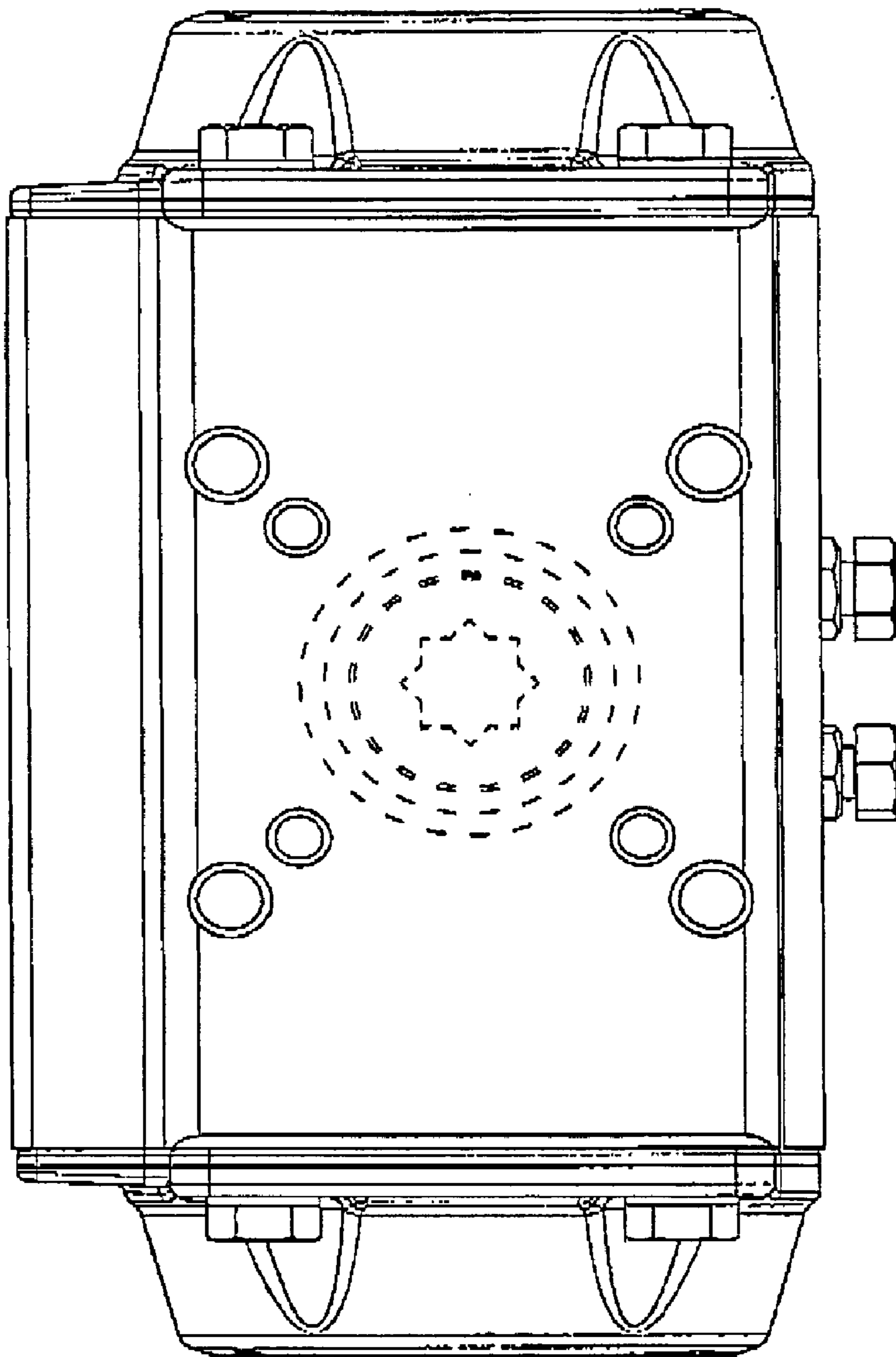
*Fig. 4*



*Fig. 5*



*Fig. 6*



*Fig. 7*