



US00D629869S

(12) **United States Design Patent**
Flowers et al.

(10) **Patent No.:** **US D629,869 S**
(45) **Date of Patent:** **** Dec. 28, 2010**

(54) **VALVE FOR A TOILET INSTALLATION**

(76) Inventors: **Barry William Flowers**, Oakfield, Fen End Road, Fen End, Kenilworth, Warwickshire (GB) CV8 1NS; **Jan Hobart**, Tallet, Barrington Road, Wellswood, Torquay (GB) TQ1 1SG; **Mark Andrew Jones**, 41 Saracen Drive, Sutton Coldfield, West Midlands (GB) B75 7HF

(**) Term: **14 Years**

(21) Appl. No.: **29/312,529**

(22) Filed: **Oct. 27, 2008**

(51) **LOC (9) Cl.** **23-01**

(52) **U.S. Cl.** **D23/233**

(58) **Field of Classification Search** D23/233-237, D23/244-249; 251/61, 61.1, 357; 137/527, 137/527.6; 4/252.1-256.1, 300, 319-323, 4/362, 378, 392-396, 420, 427, 431-435, 4/437, 438, 440-442, 661

See application file for complete search history.

(56) **References Cited**

U.S. PATENT DOCUMENTS

4,286,342 A * 9/1981 Anthony 4/321
D335,526 S * 5/1993 Biltoft et al. D23/233
D424,168 S * 5/2000 Higgins D23/236

D470,222 S * 2/2003 Nortier D23/233
D493,209 S * 7/2004 Wade D23/233
7,240,378 B2 * 7/2007 Long et al. 4/252.1
D566,810 S * 4/2008 Rivard D23/236

* cited by examiner

Primary Examiner—Cathron C. Brooks
Assistant Examiner—Maurice Stevens
(74) *Attorney, Agent, or Firm*—Alfred A. Fressola; Ware, Fressola, Van Der Sluys & Adolphson LLP

(57) **CLAIM**

The ornamental design for the valve for a toilet installation, as shown and described.

DESCRIPTION

FIG. 1 is a left hand side view of the valve for a toilet installation showing my new design with the flap in its open position;

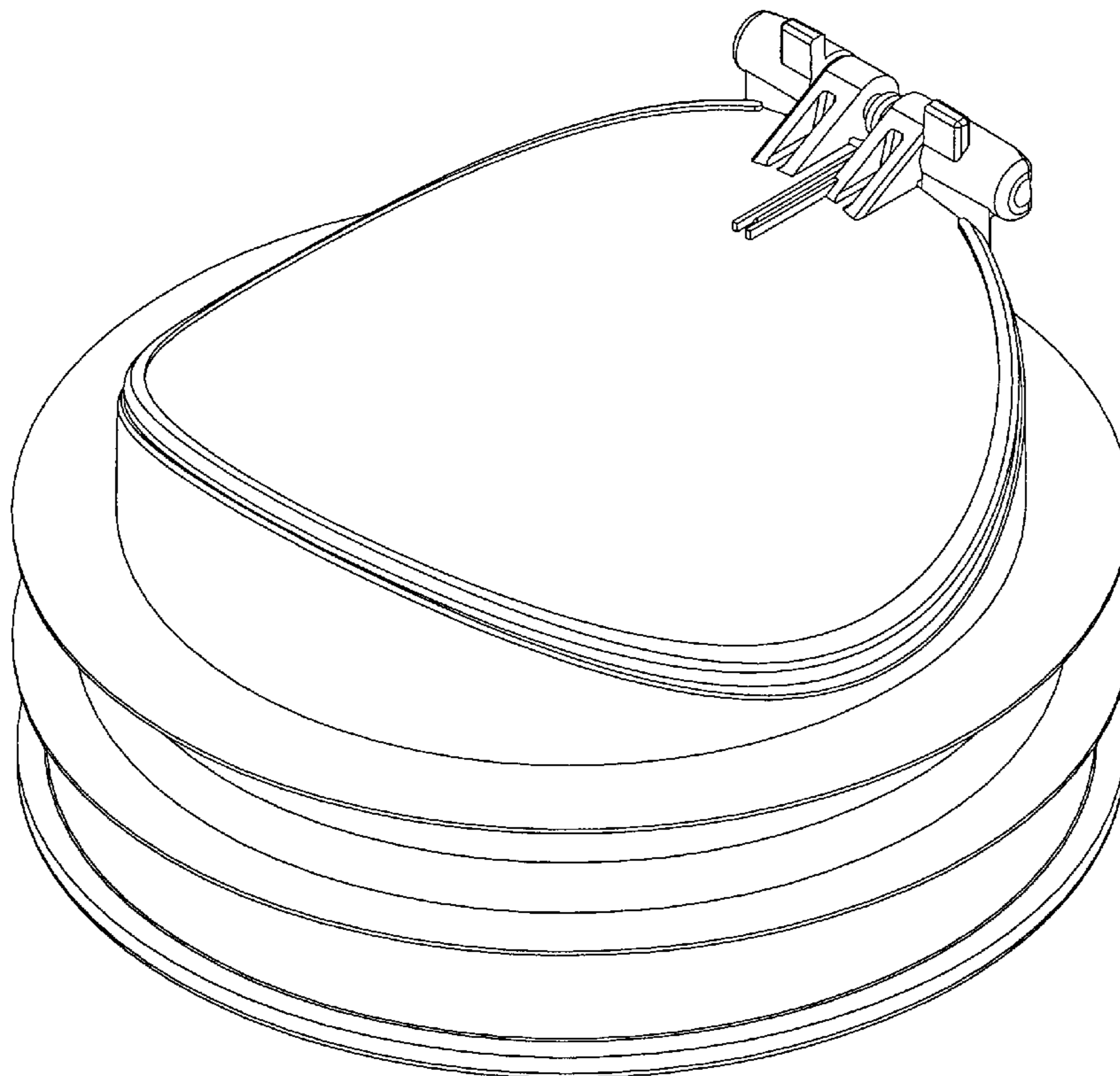
FIG. 2 is a front view thereof, with the flap in its open position;

FIG. 3 is a front view thereof, with the flap in its closed position;

FIG. 4 is a right hand side view thereof, with the flap in its closed position; and,

FIG. 5 is a perspective view thereof, with the flap in its closed position.

1 Claim, 5 Drawing Sheets



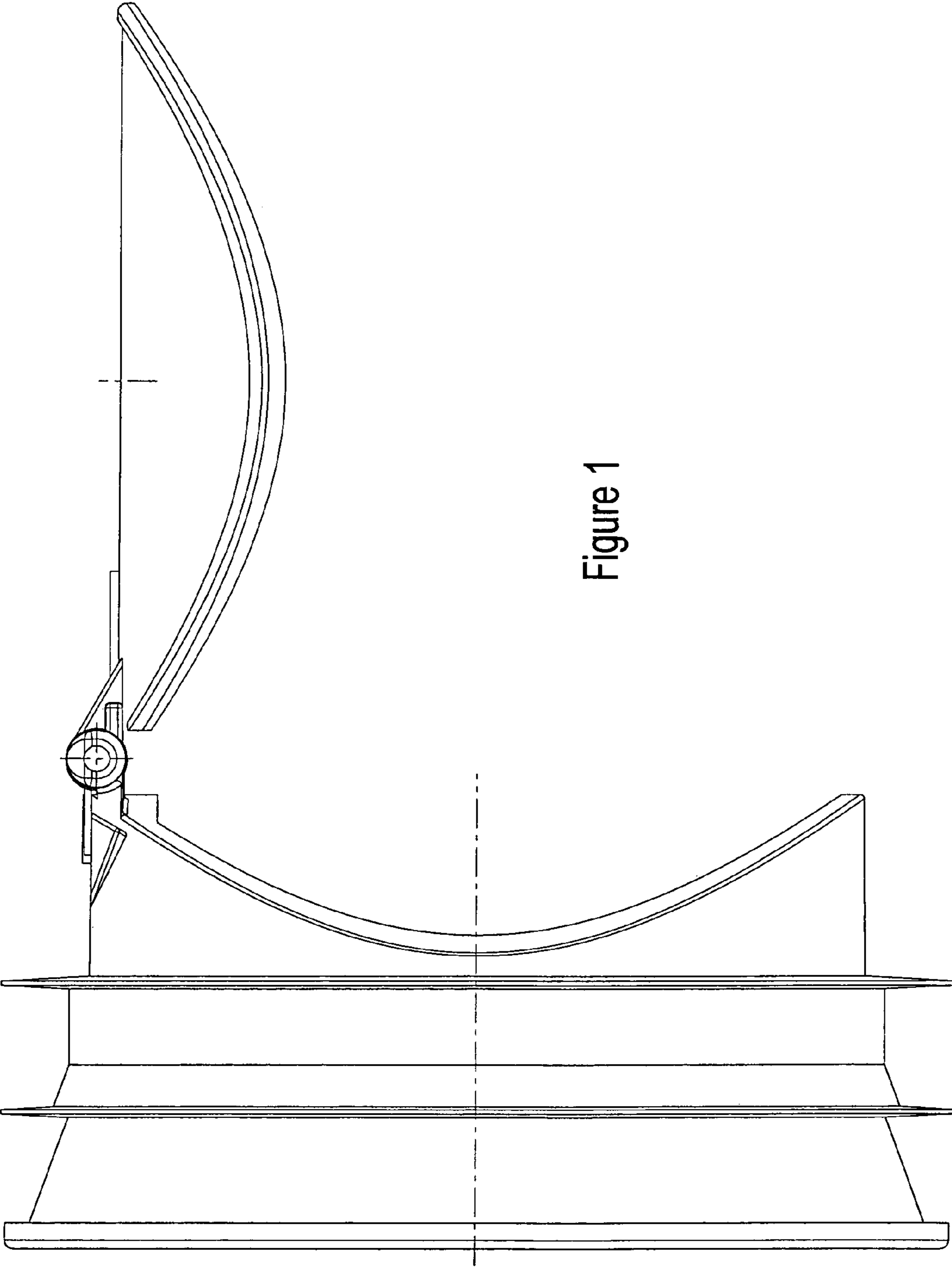


Figure 1

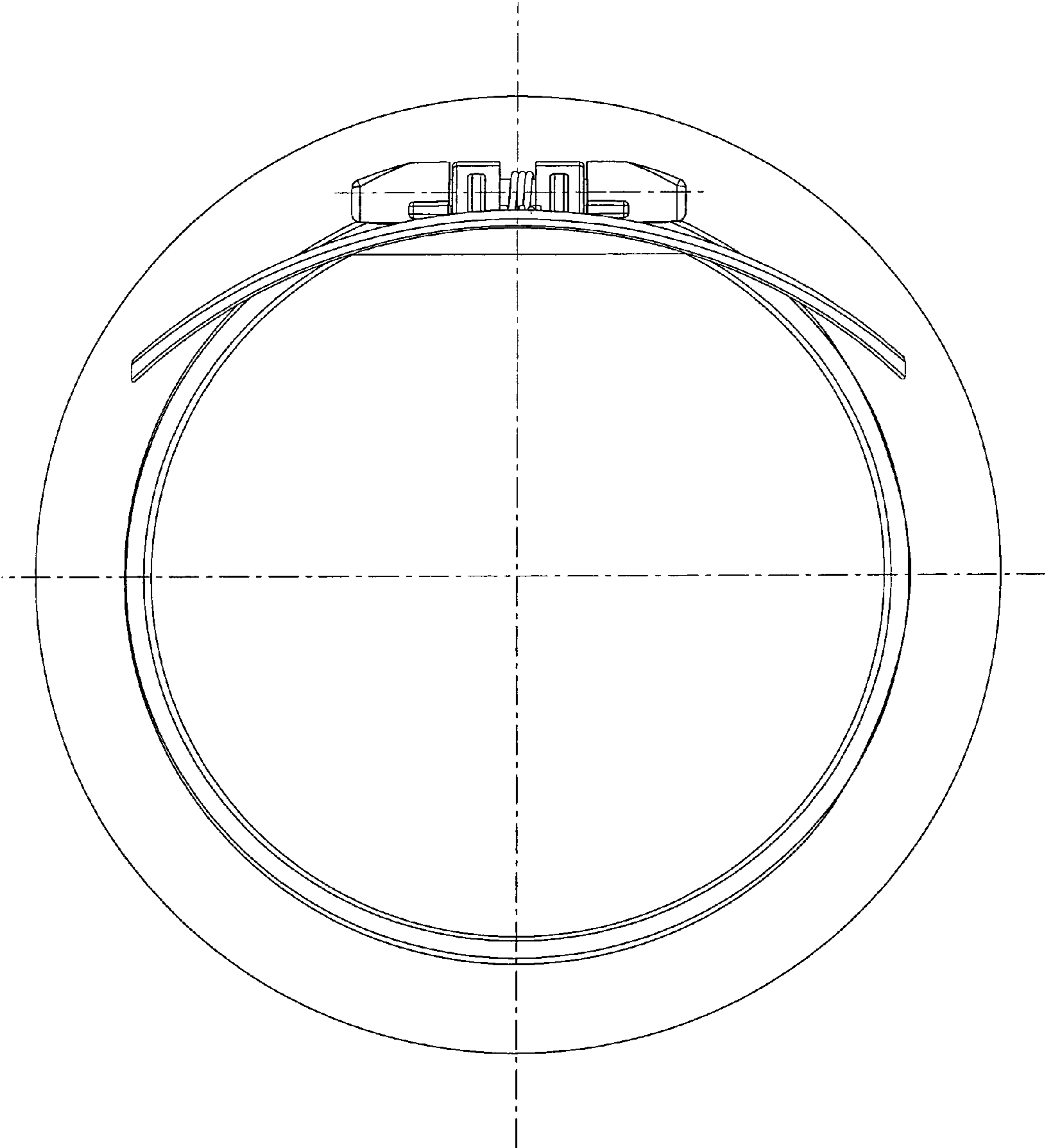


Figure 2

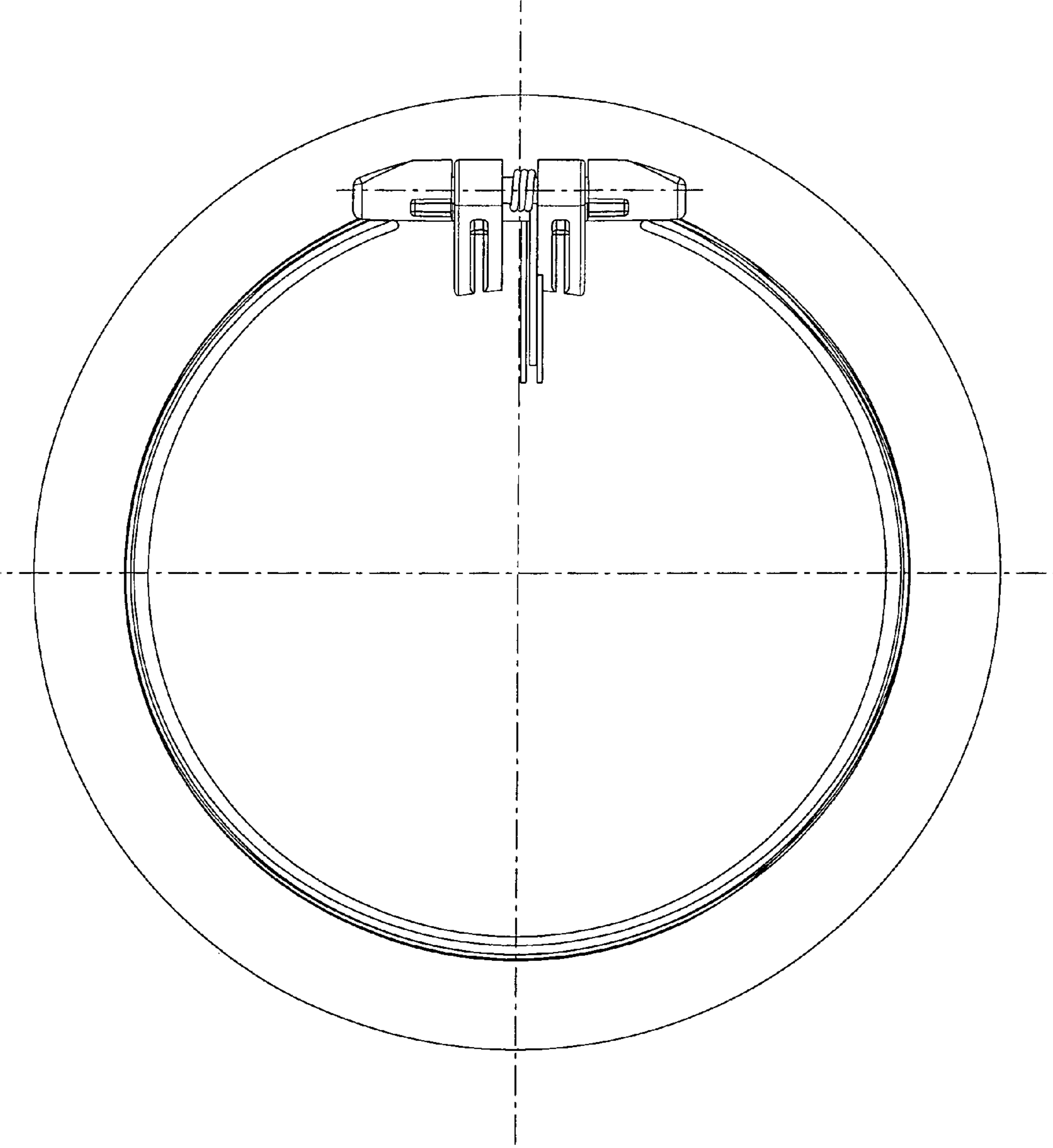


Figure 3

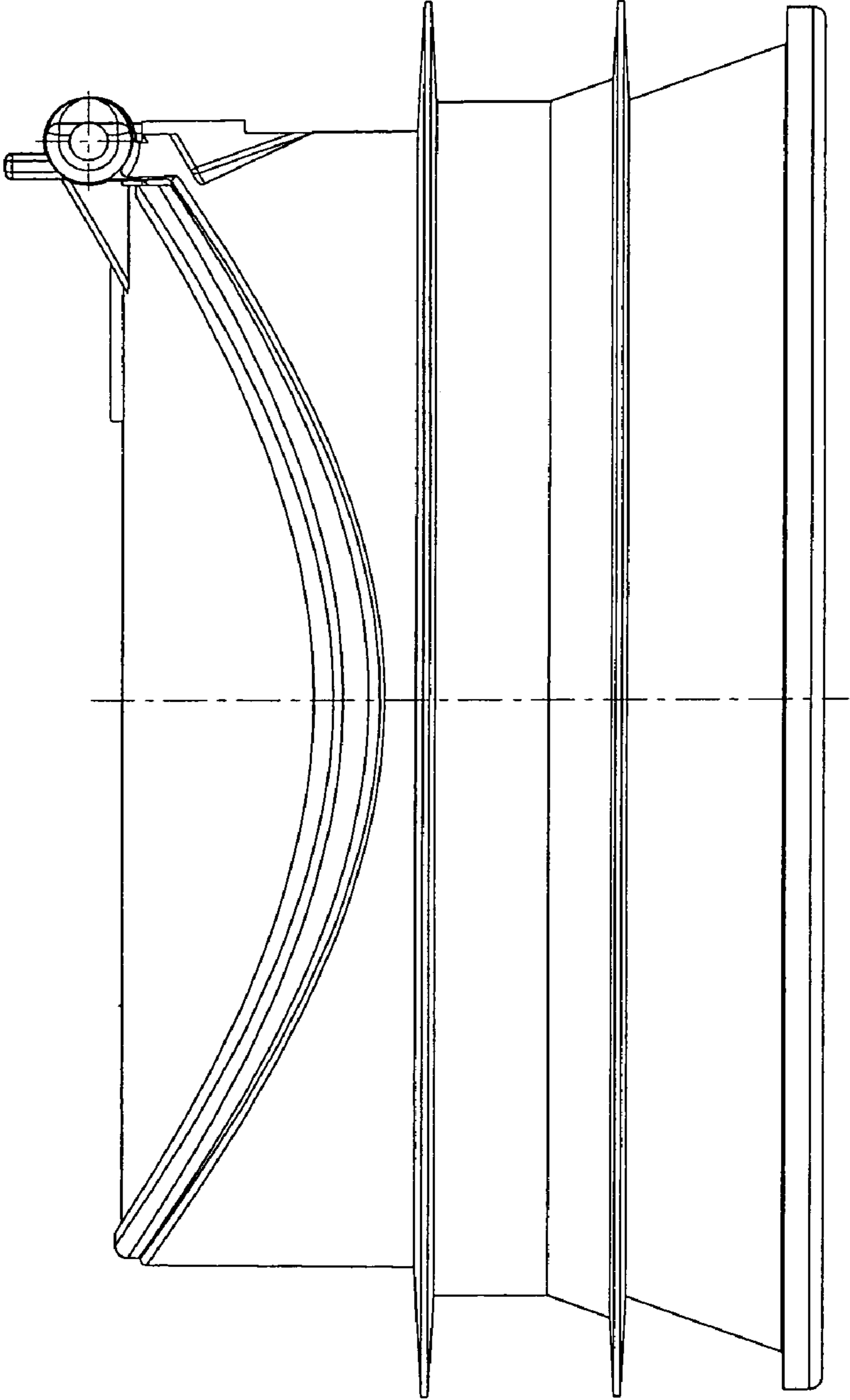


Figure 4

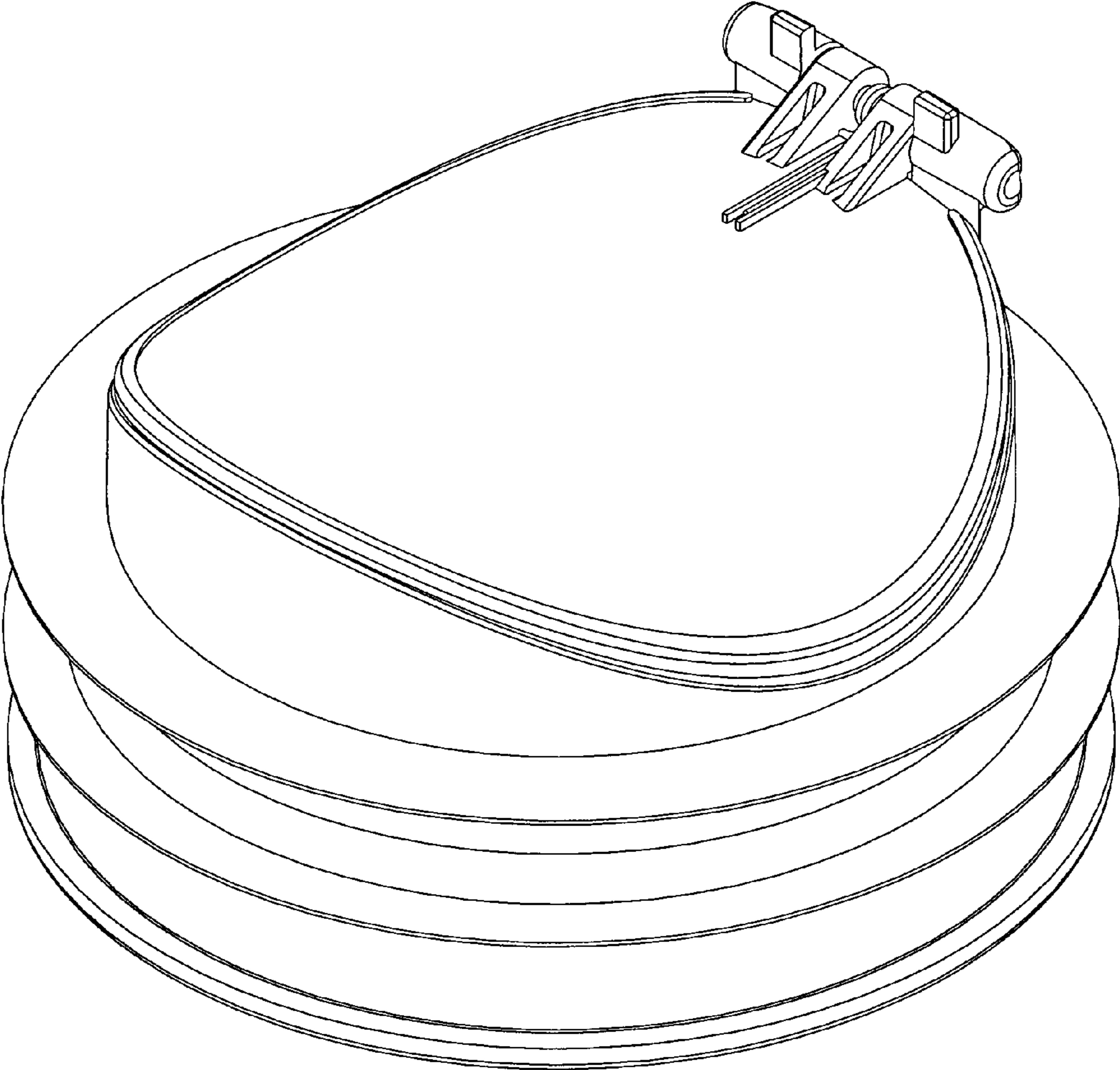


Figure 5