



US00D629867S

(12) **United States Design Patent**
Rexach et al.

(10) **Patent No.:** **US D629,867 S**

(45) **Date of Patent:** **** Dec. 28, 2010**

(54) **SHOWERHEAD**

(75) Inventors: **Rafael Alfredo Rexach**, Sheboygan, WI (US); **Julie Yessin**, Brookfield, CT (US)

(73) Assignee: **Kohler Co.**, Kohler, WI (US)

(**) Term: **14 Years**

(21) Appl. No.: **29/358,613**

(22) Filed: **Mar. 30, 2010**

(51) **LOC (9) Cl.** **23-01**

(52) **U.S. Cl.** **D23/213; D23/229**

(58) **Field of Classification Search** D23/213,
D23/223, 229, 230; 239/462, 394, 282-283;
4/615

See application file for complete search history.

(56) **References Cited**

U.S. PATENT DOCUMENTS

D509,562 S *	9/2005	Kobi et al.	D23/213
D516,169 S *	2/2006	Wu	D23/229
D559,945 S *	1/2008	Patterson et al.	D23/213
D604,387 S *	11/2009	Miller et al.	D23/213
D607,971 S	1/2010	Barnard et al.	
D608,412 S	1/2010	Barnard et al.	
D608,413 S	1/2010	Barnard et al.	
D616,061 S *	5/2010	Whitaker et al.	D23/213

* cited by examiner

Primary Examiner—Robin V Webster

(74) *Attorney, Agent, or Firm*—Ladas & Parry LLP

(57) **CLAIM**

The ornamental design for a showerhead, as shown and described.

DESCRIPTION

FIG. 1 is a perspective view of the front, top, and left side of a showerhead embodying our new design;

FIG. 2 is a front elevational view thereof;

FIG. 3 is a left side elevational view thereof, the right side view being a mirror image of the left side view;

FIG. 4 is a top plan view thereof, the bottom plan view being a mirror image of the top plan view;

FIG. 5 is a rear elevational view thereof;

FIG. 6 is a perspective view of the front, top, and left side of another showerhead embodying our new design;

FIG. 7 is a front elevational view thereof;

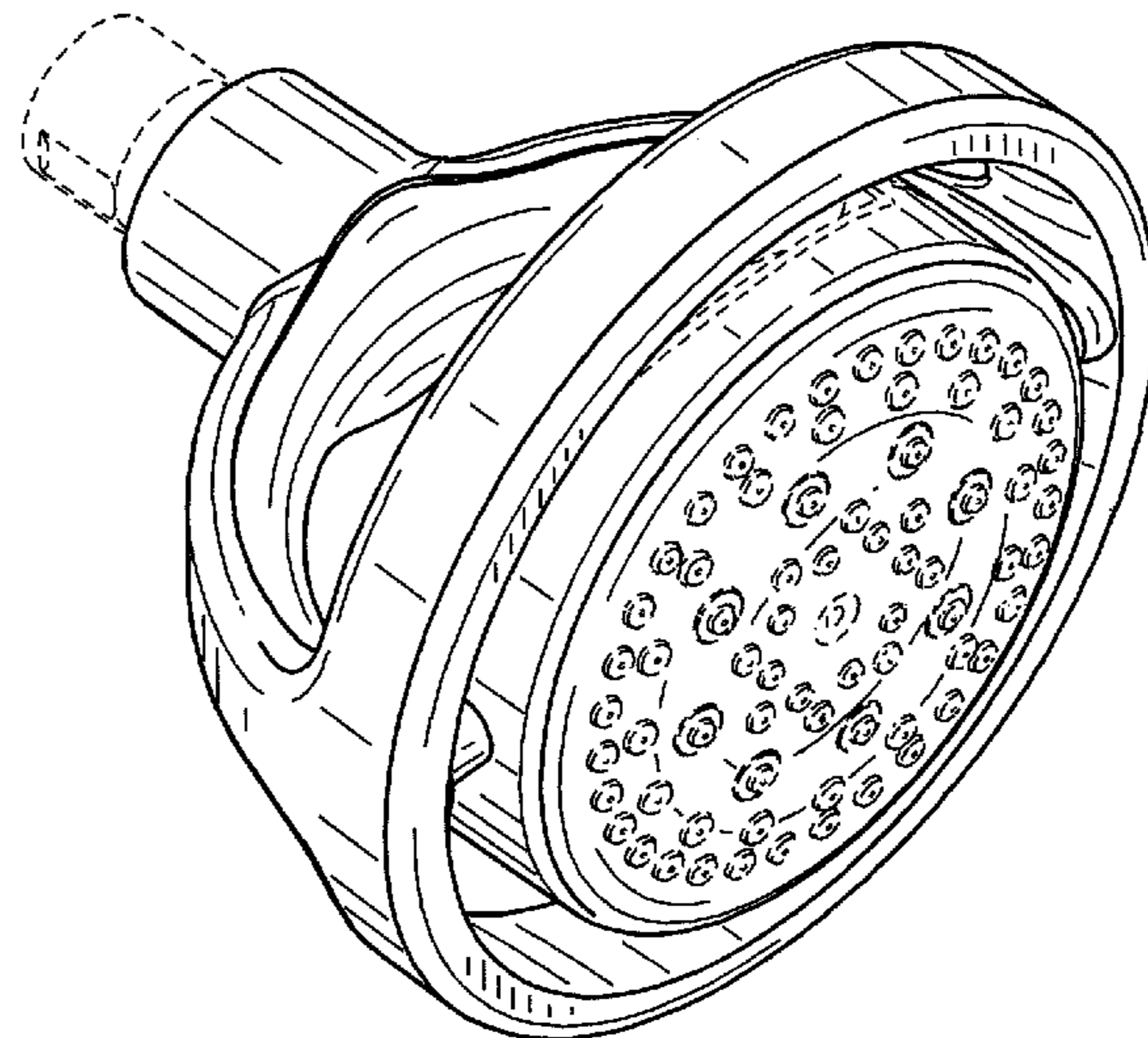
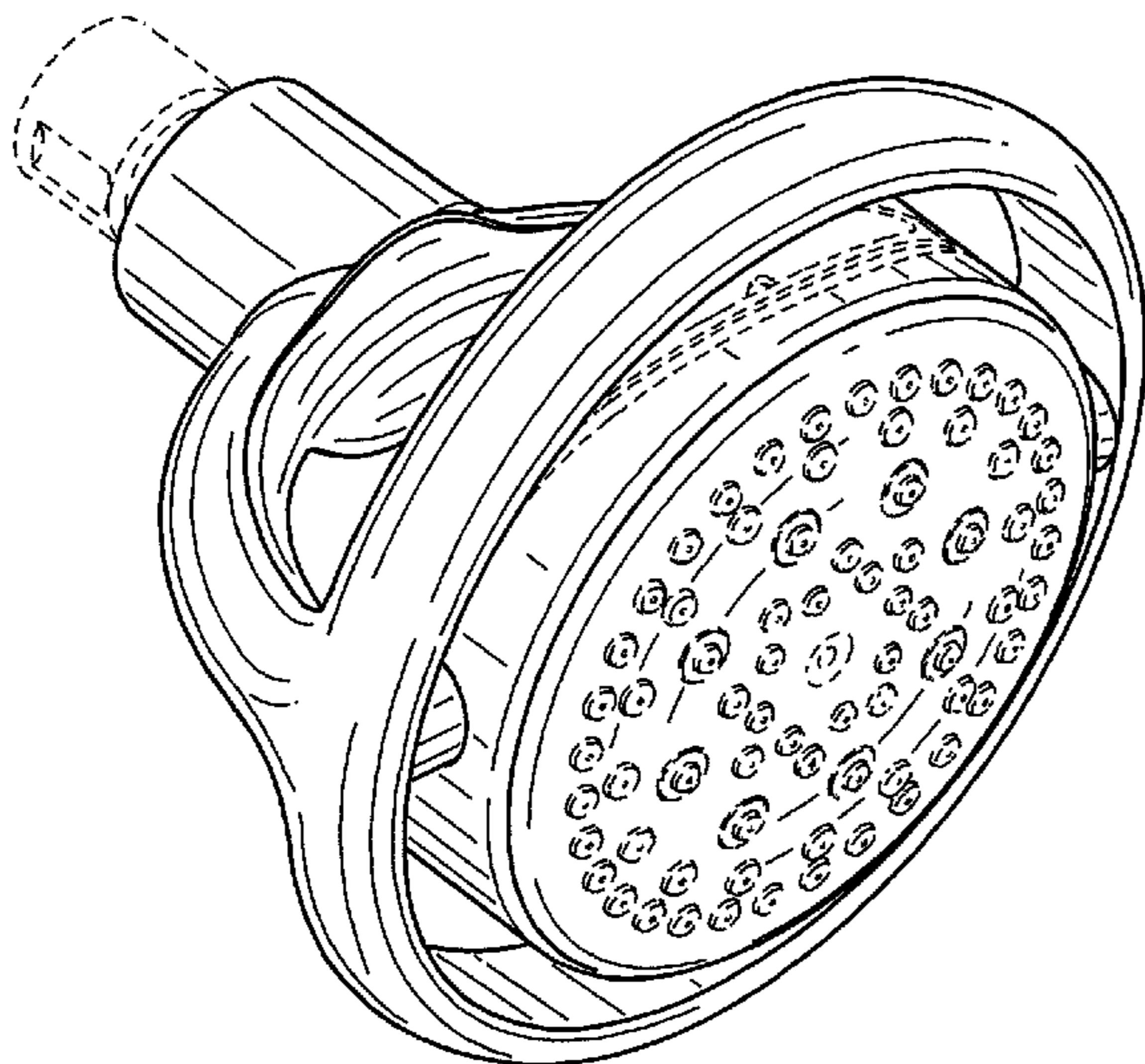
FIG. 8 is a left side elevational view thereof, the right side view being a mirror image of the left side view;

FIG. 9 is a top plan view thereof, the bottom plan view being a mirror image of the top plan view; and,

FIG. 10 is a rear elevational view thereof.

The broken line representations in the figures are for illustration purposes only and, form no part of the claimed design.

1 Claim, 6 Drawing Sheets



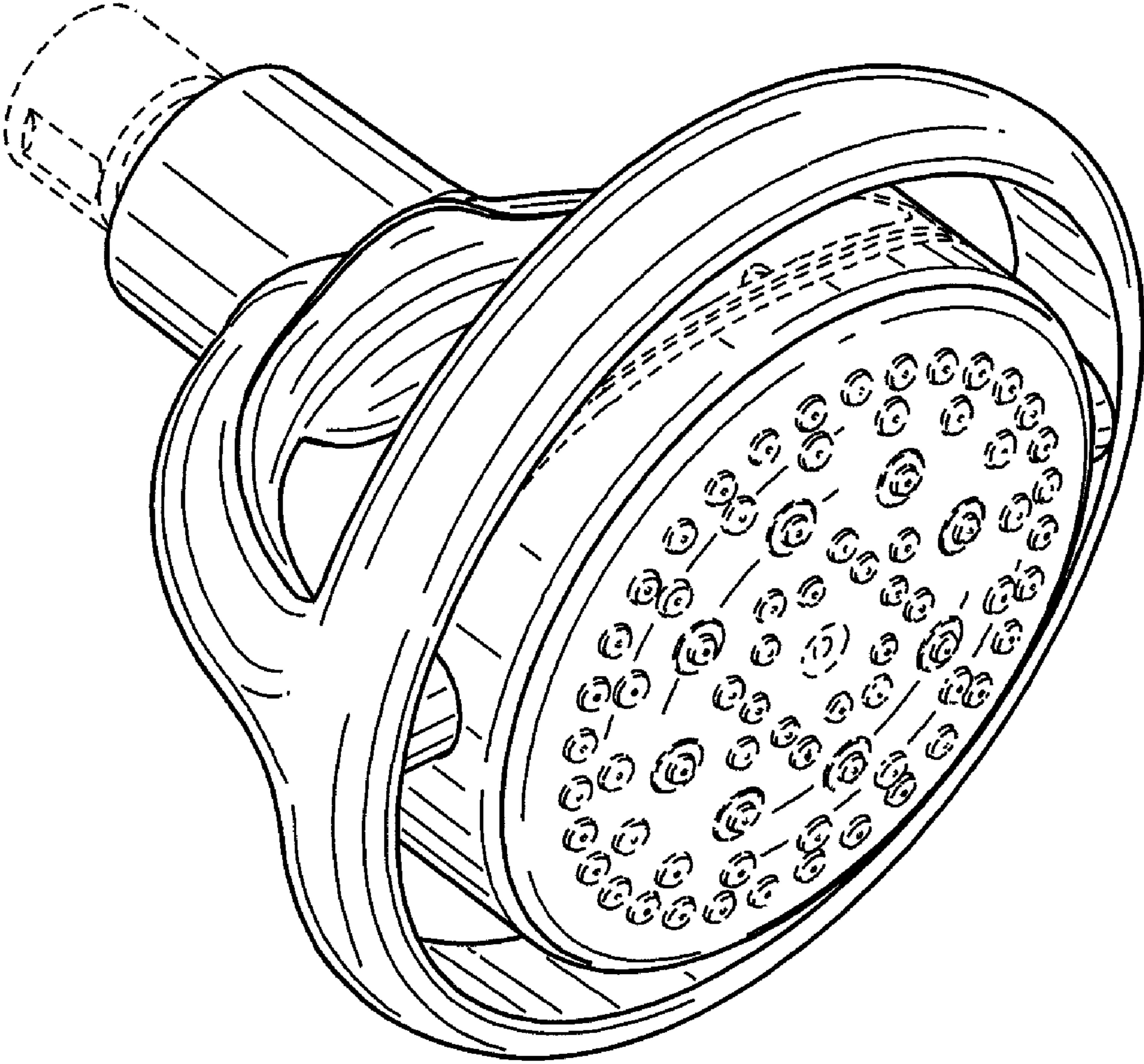


FIG. 1

FIG. 2

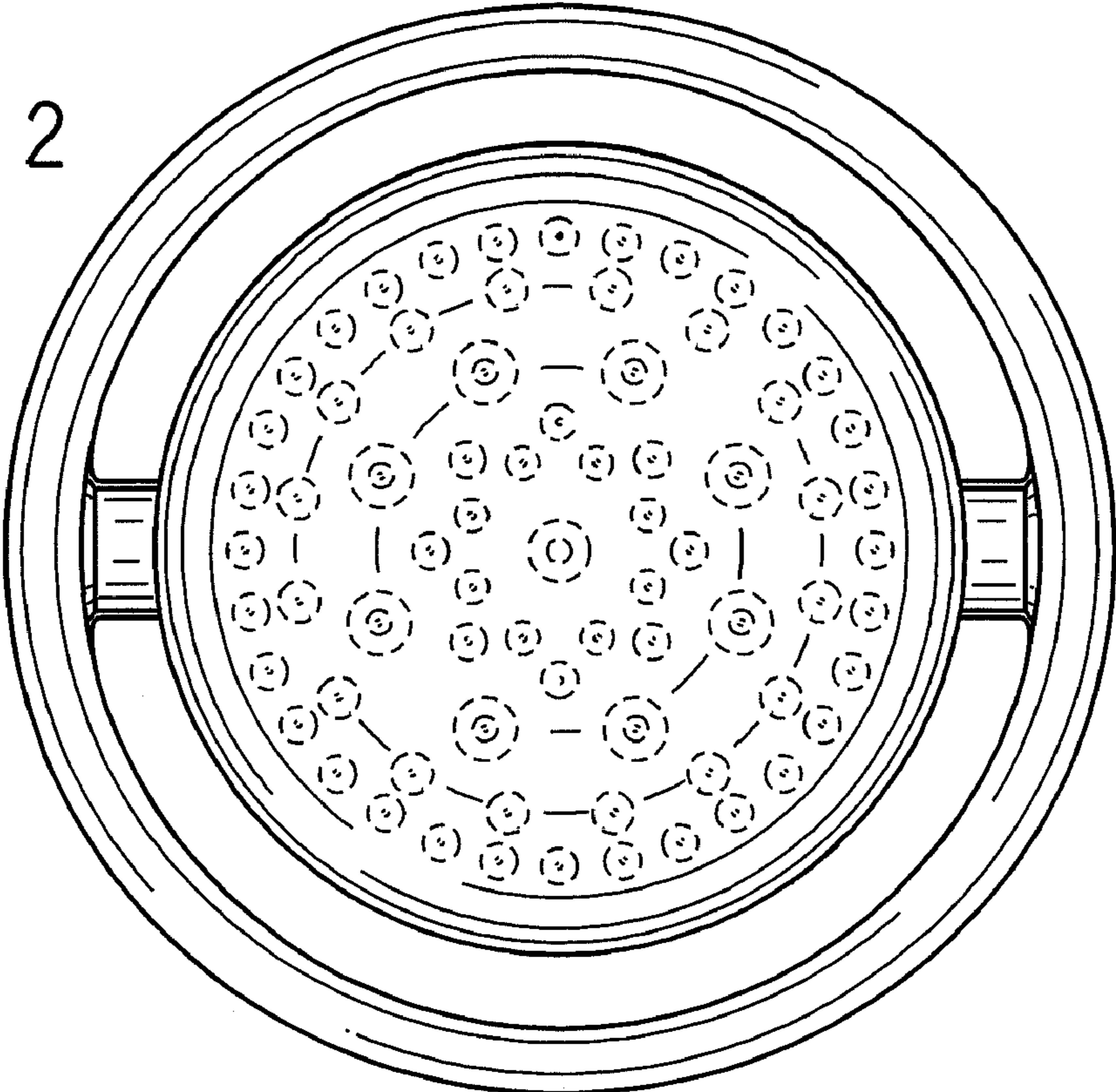


FIG. 3

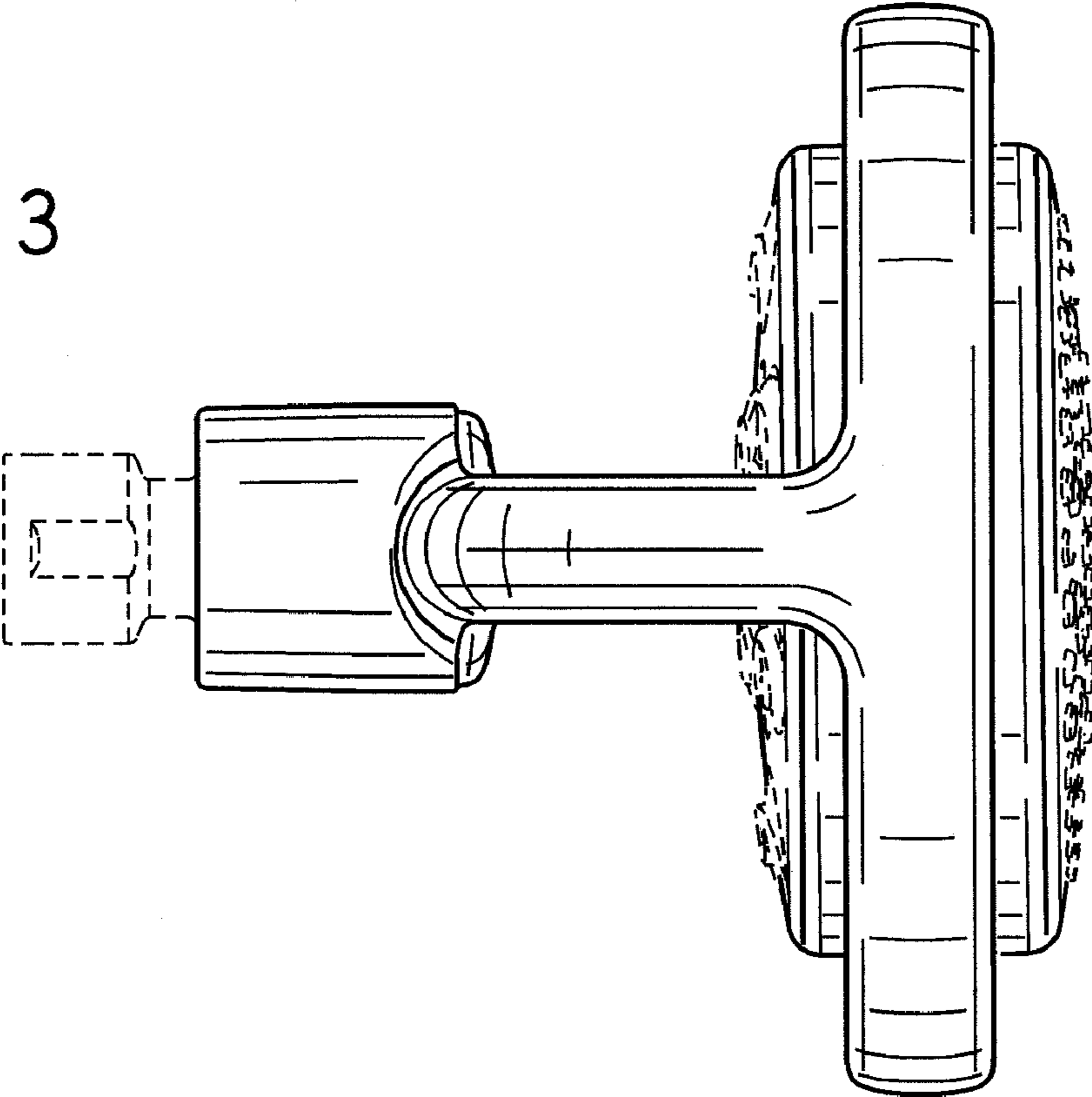


FIG. 4

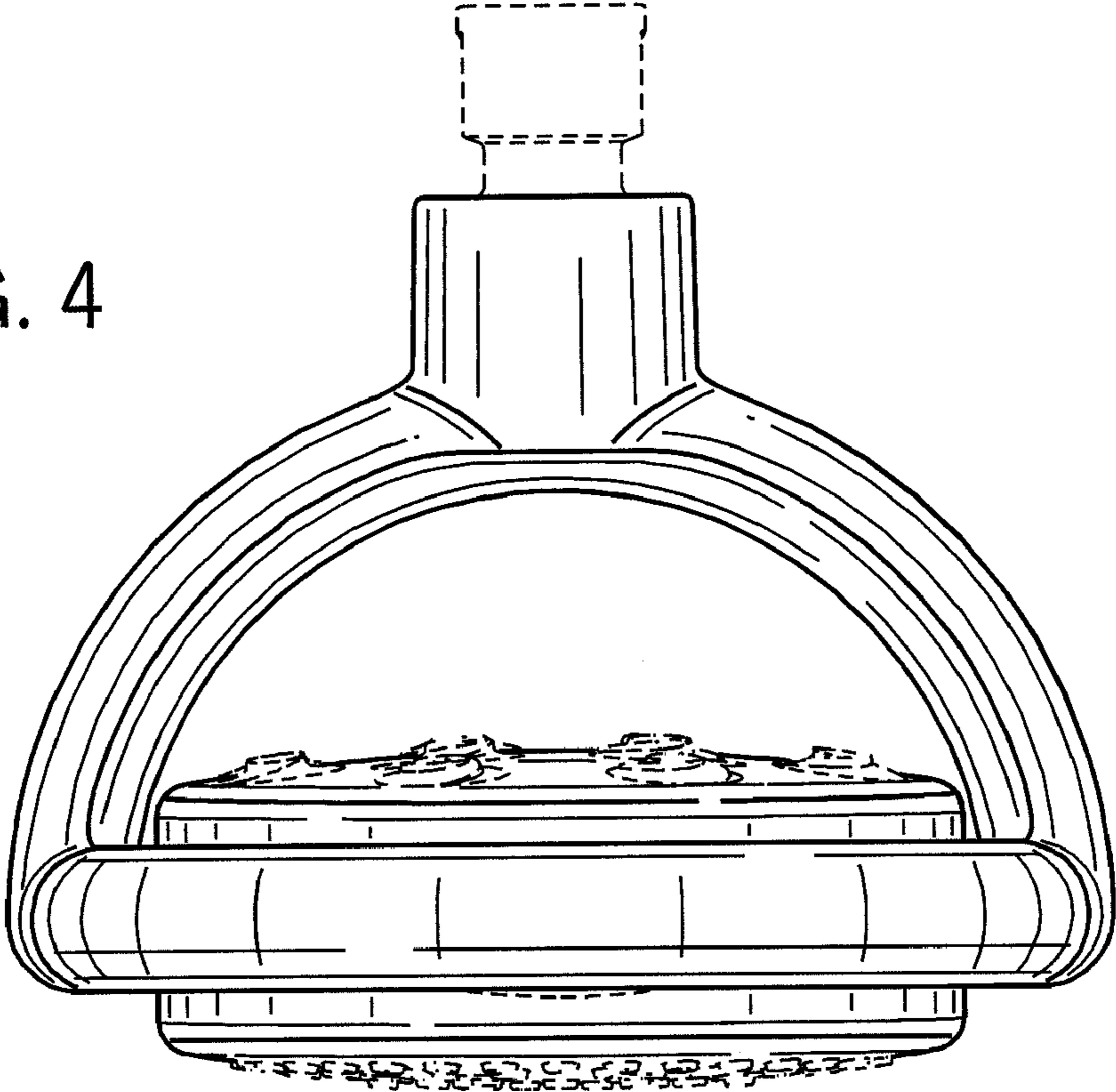
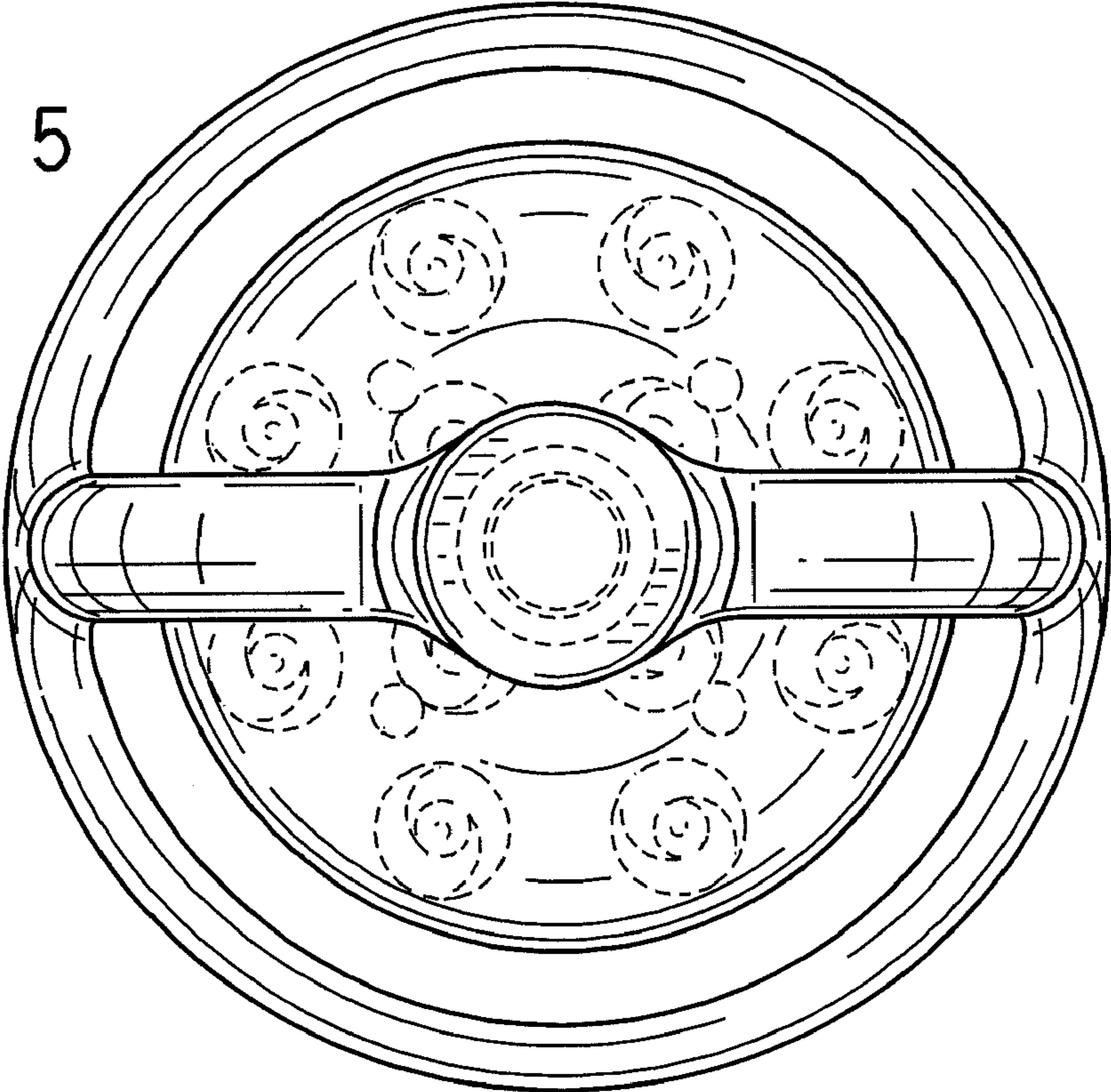


FIG. 5



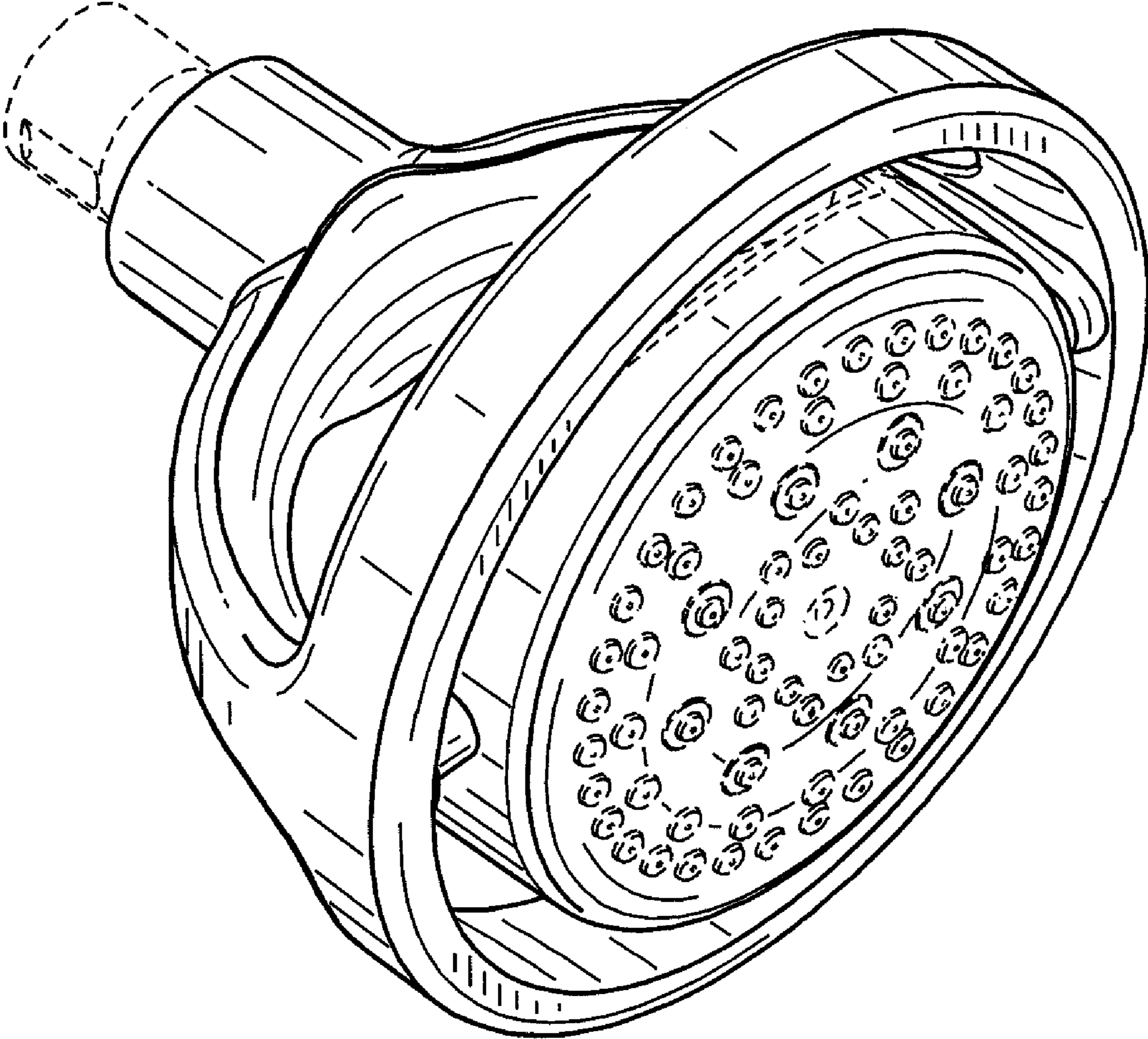


FIG. 6

FIG. 7

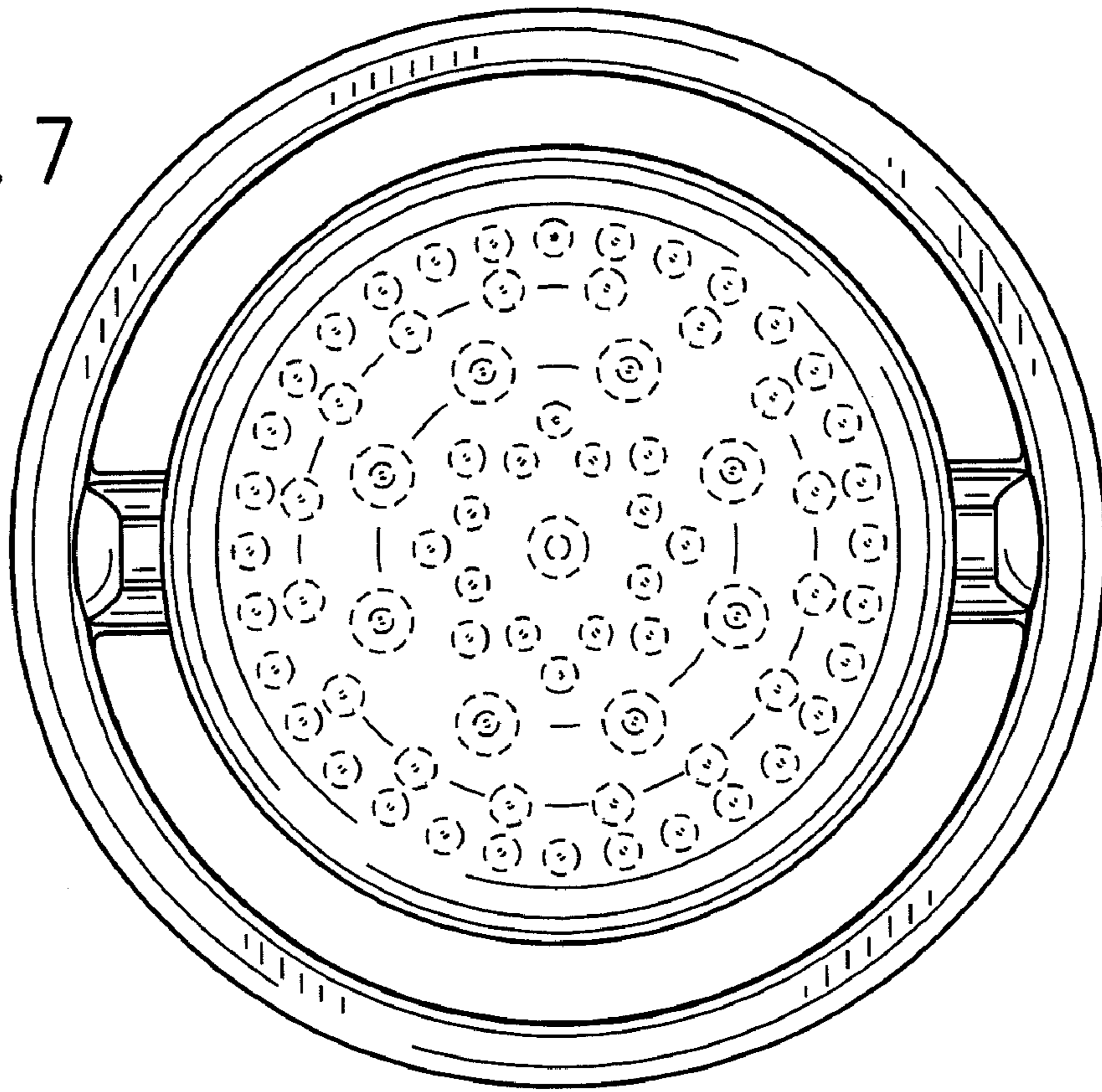


FIG. 8

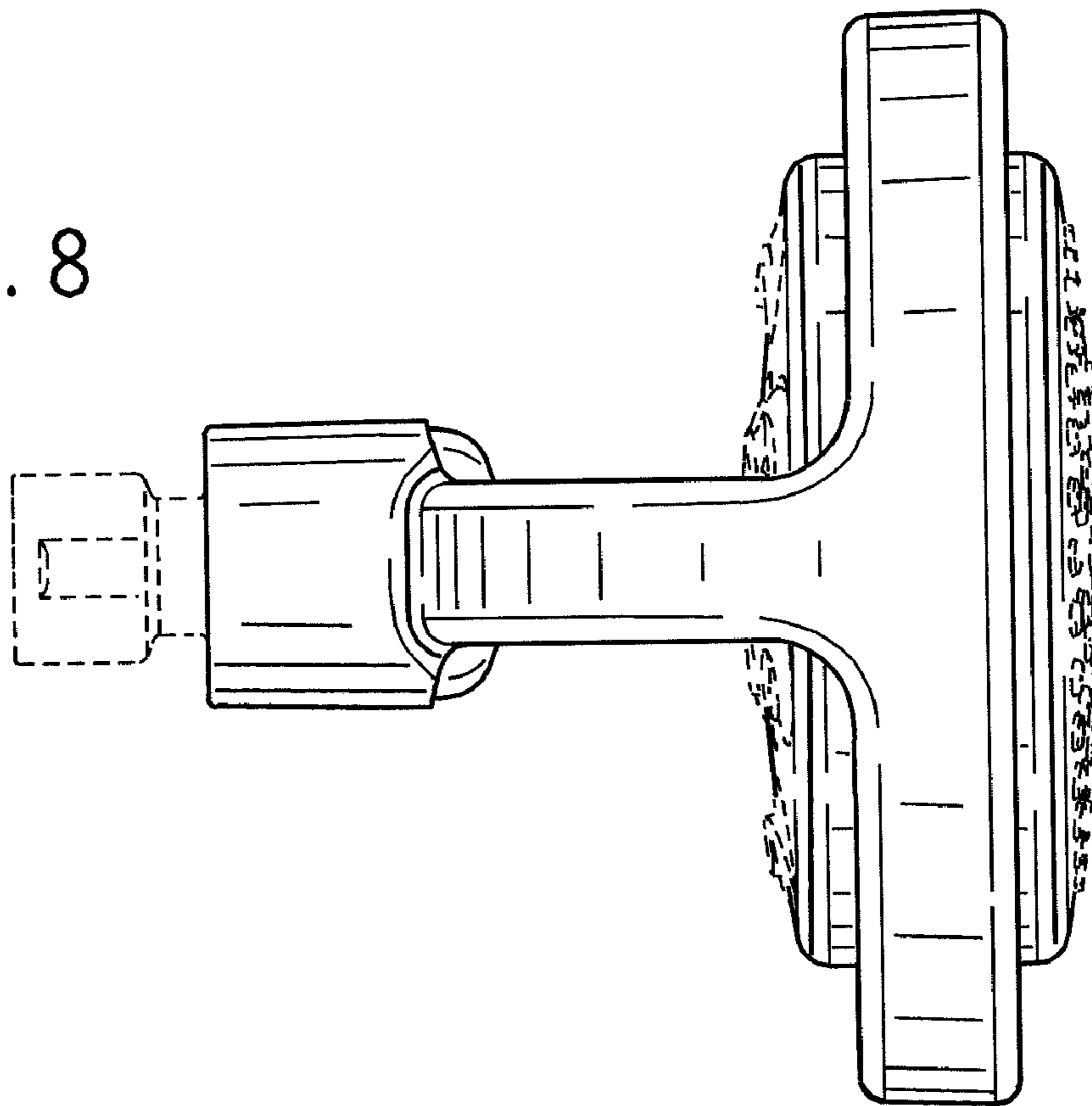


FIG. 9

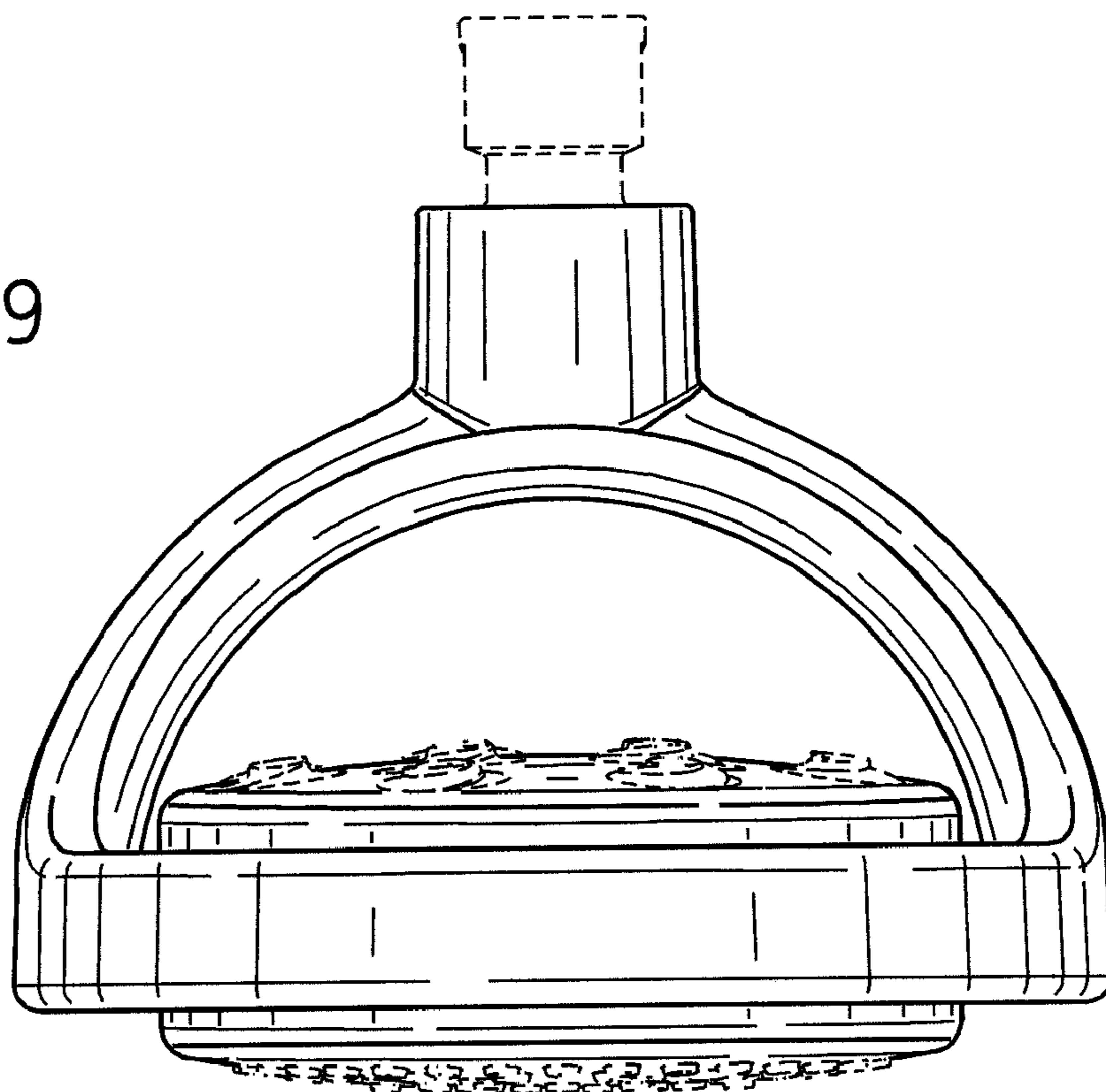


FIG. 10

