



US00D629866S

(12) **United States Design Patent**
Brass

(10) **Patent No.:** **US D629,866 S**

(45) **Date of Patent:** **** Dec. 28, 2010**

(54) **FLUID INJECTOR**

(75) Inventor: **Daniel W. Brass**, Berea, OH (US)

(73) Assignee: **Bright Solutions International LLC**,
Troy, MI (US)

(**) Term: **14 Years**

(21) Appl. No.: **29/331,498**

(22) Filed: **Jan. 27, 2009**

(51) **LOC (9) Cl.** **23-01**

(52) **U.S. Cl.** **D23/213; D9/448**

(58) **Field of Classification Search** D23/213,
D23/225, 226; D9/448, 682, 685; 222/153.11,
222/153.13, 153.14

See application file for complete search history.

(56) **References Cited**

U.S. PATENT DOCUMENTS

D337,945 S *	8/1993	Warner	D9/448
D504,316 S *	4/2005	Chien	D9/448
D525,123 S *	7/2006	Walters et al.	D9/448

* cited by examiner

Primary Examiner—Robin V Webster

(74) *Attorney, Agent, or Firm*—Steptoe & Johnson LLP

(57) **CLAIM**

The ornamental design for a fluid injector, as shown and described.

DESCRIPTION

FIG. 1 is a front perspective view of the fluid injector;

FIG. 2 is a top side view of the fluid injector;

FIG. 3 is a left side view of the fluid injector;

FIG. 4 is a front side view of the fluid injector;

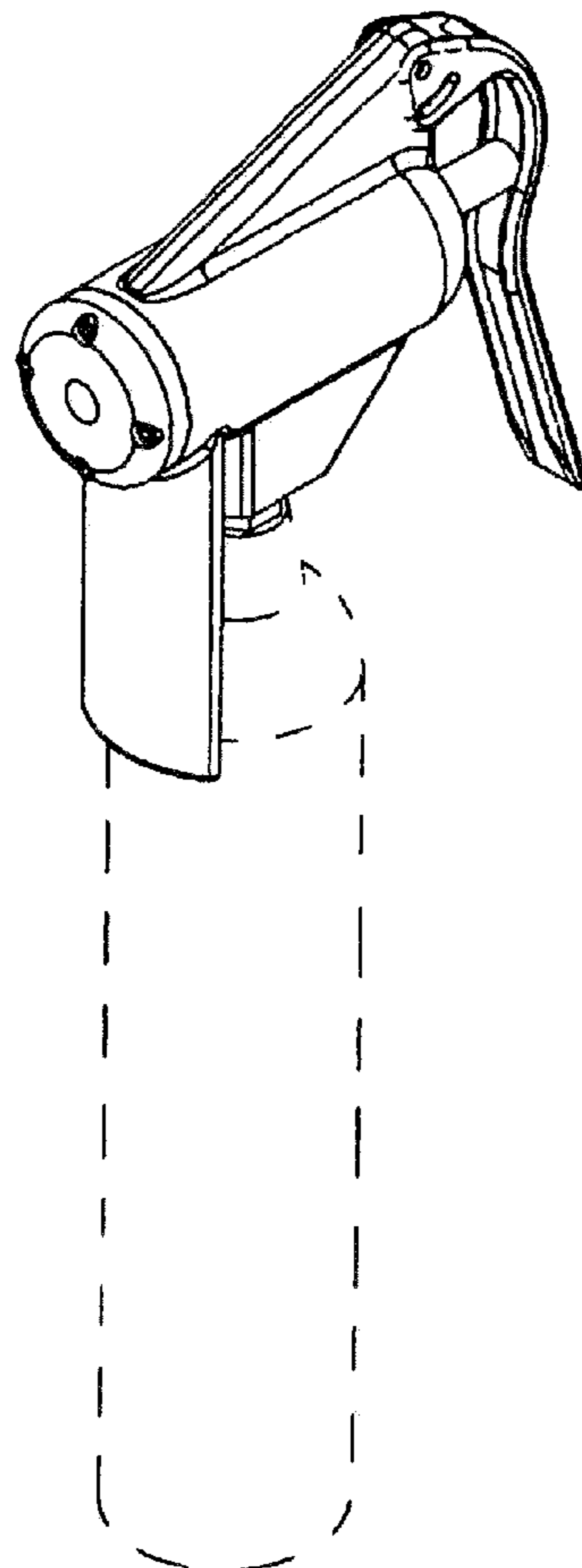
FIG. 5 is a rear side view of the fluid injector;

FIG. 6 is a right side view of the fluid injector; and,

FIG. 7 is a bottom side view of the fluid injector.

Throughout the figures, dashed lines represent a fluid injector container connected to the fluid injector.

1 Claim, 7 Drawing Sheets



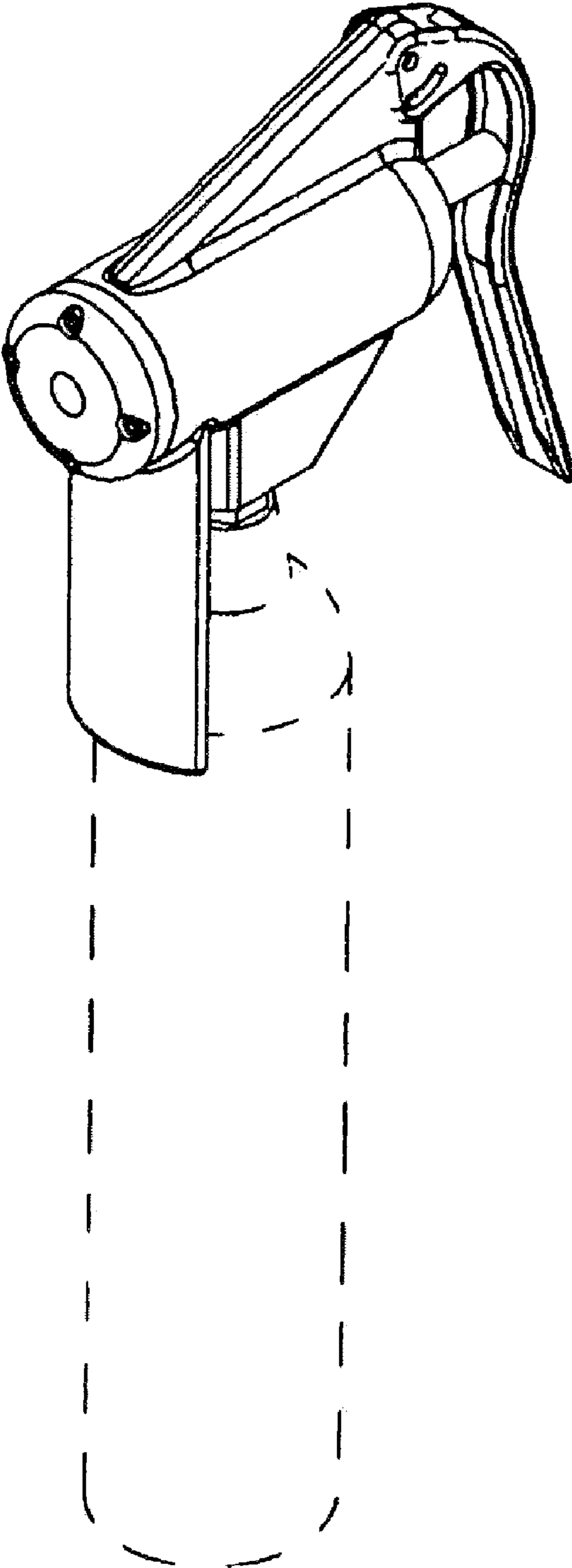


FIGURE 1

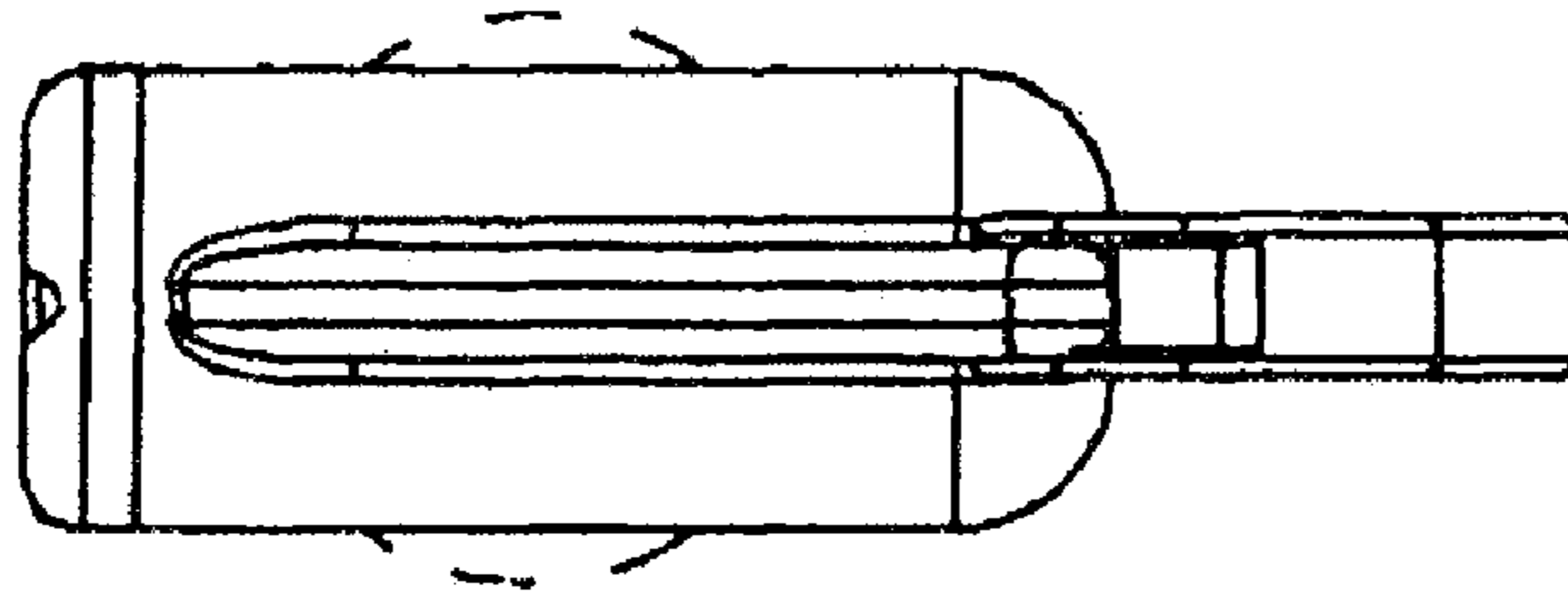


FIGURE 2

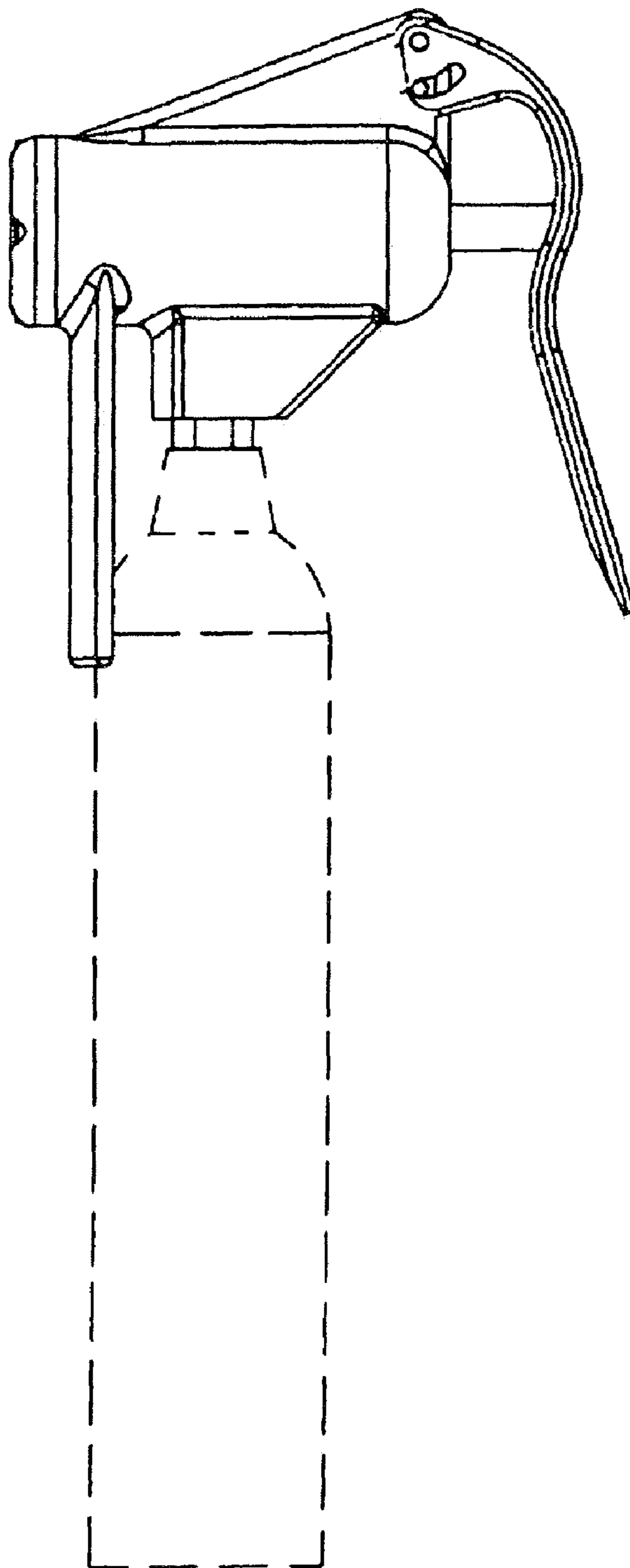


FIGURE 3

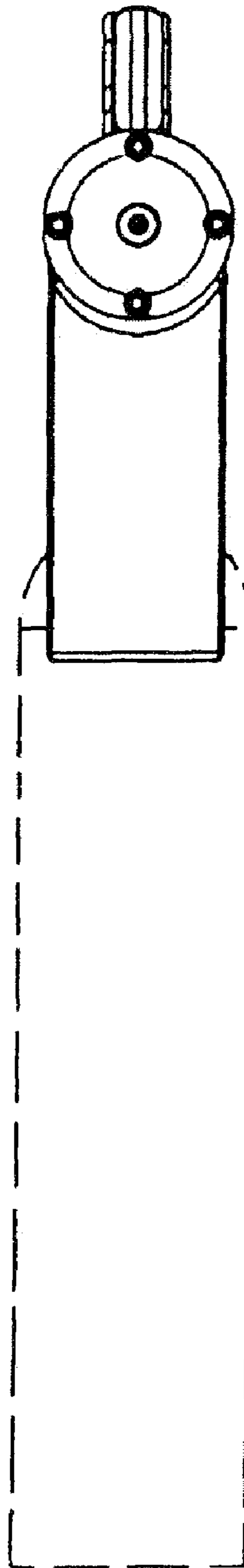


FIGURE 4



FIGURE 5

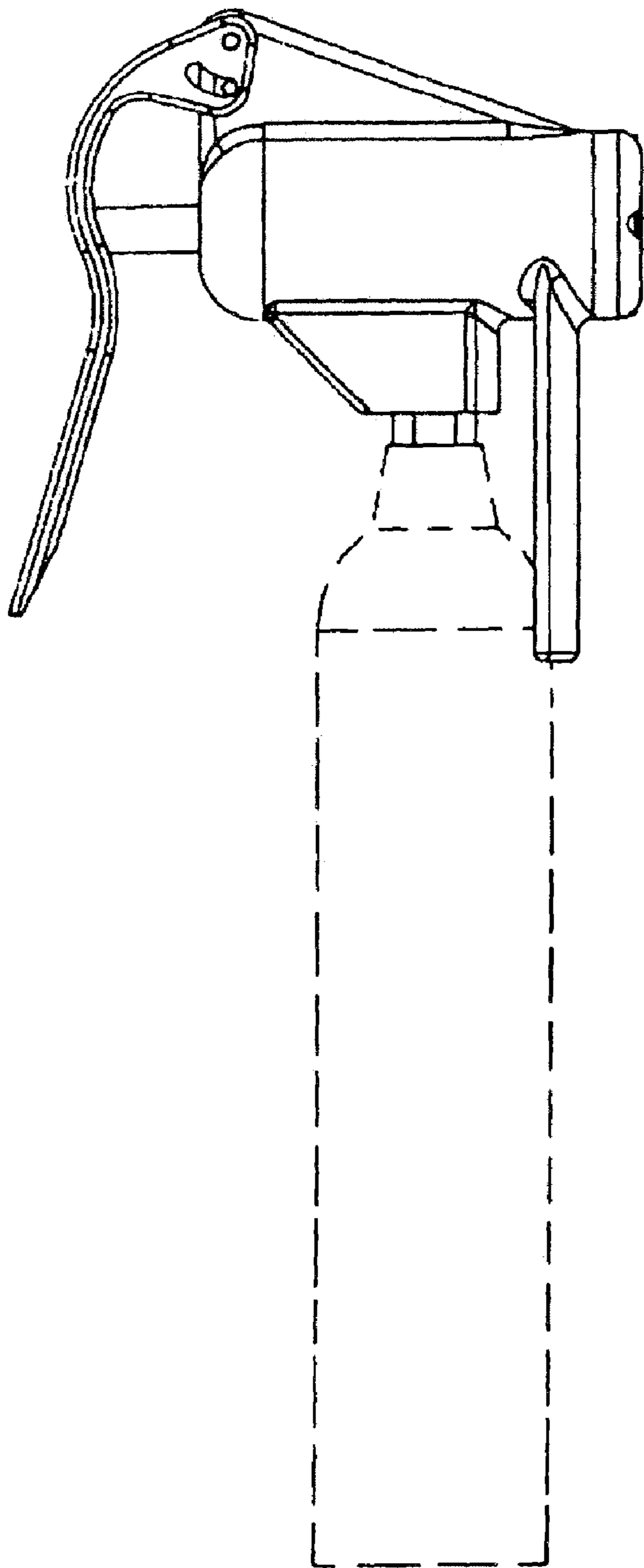


FIGURE 6

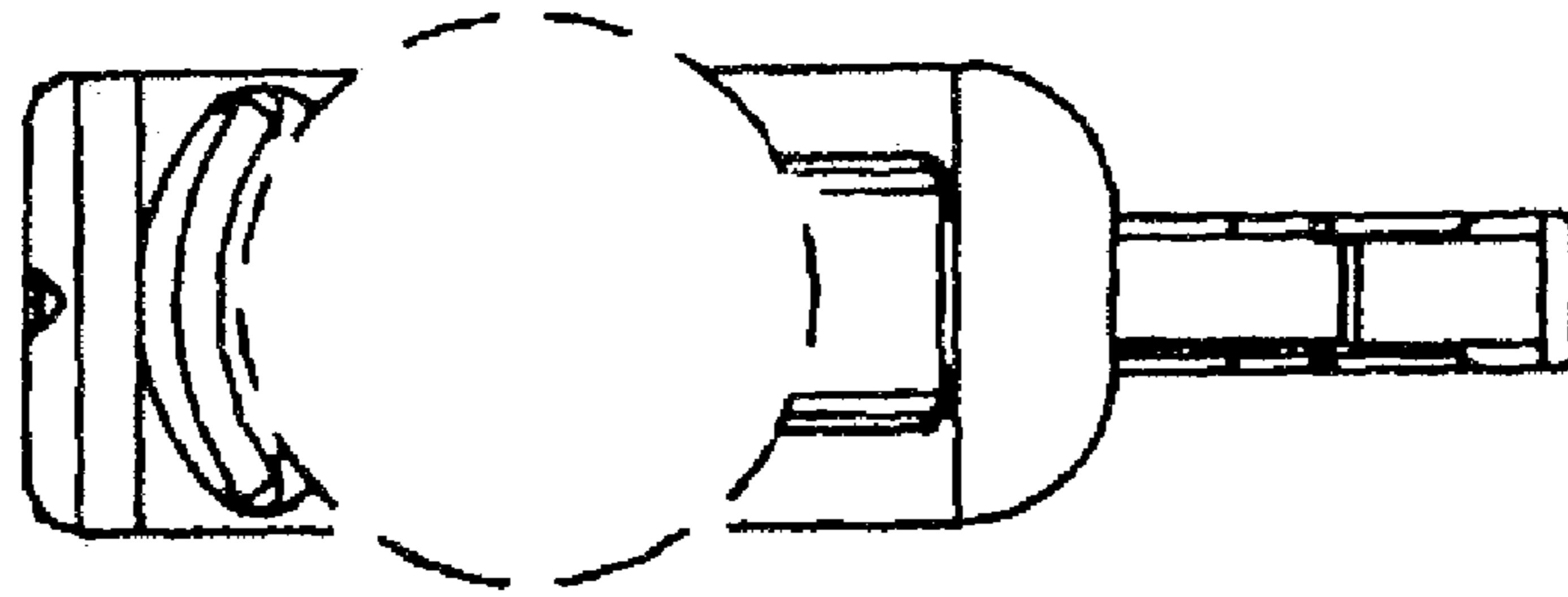


FIGURE 7