



US00D629864S

(12) **United States Design Patent**
Stack

(10) **Patent No.:** **US D629,864 S**

(45) **Date of Patent:** **** Dec. 28, 2010**

(54) **TANK**

(75) **Inventor:** **Robert Stack, Killarney (IE)**

(73) **Assignee:** **Killarney Plastics Limited, Killarney, County Kerry (IE)**

(**) **Term:** **14 Years**

(21) **Appl. No.:** **29/352,690**

(22) **Filed:** **Dec. 23, 2009**

(30) **Foreign Application Priority Data**

Jun. 30, 2009	(EM)	001150569-0001
Jun. 30, 2009	(EM)	001150569-0002
Jun. 30, 2009	(EM)	001150569-0003
Jun. 30, 2009	(EM)	001150569-0004
Jun. 30, 2009	(EM)	001150569-0005
Jun. 30, 2009	(EM)	001150569-0006
Jun. 30, 2009	(EM)	001150569-0007
Jun. 30, 2009	(EM)	001150569-0008
Jun. 30, 2009	(EM)	001150569-0009
Jun. 30, 2009	(EM)	001150569-0010
Jun. 30, 2009	(EM)	001150569-0011
Jun. 30, 2009	(EM)	001150569-0012
Jun. 30, 2009	(EM)	001150569-0013
Jun. 30, 2009	(EM)	001150569-0014
Jun. 30, 2009	(EM)	001150569-0015
Jun. 30, 2009	(EM)	001150569-0016
Jun. 30, 2009	(EM)	001150569-0017
Jun. 30, 2009	(EM)	001150569-0018

(51) **LOC (9) Cl.** **23-01**

(52) **U.S. Cl.** **D23/202**

(58) **Field of Classification Search** D23/202-205;
220/586-587, 565, 567.1, 581, 23.89

See application file for complete search history.

(56) **References Cited**

U.S. PATENT DOCUMENTS

D239,506 S *	4/1976	Myers	D23/202
D371,423 S *	7/1996	Salagnac	D23/203
5,597,948 A *	1/1997	Sharp	73/49.2

* cited by examiner

Primary Examiner—Robin V Webster

(74) *Attorney, Agent, or Firm*—Scott E. Kamholz; Foley Hoag LLP

(57) **CLAIM**

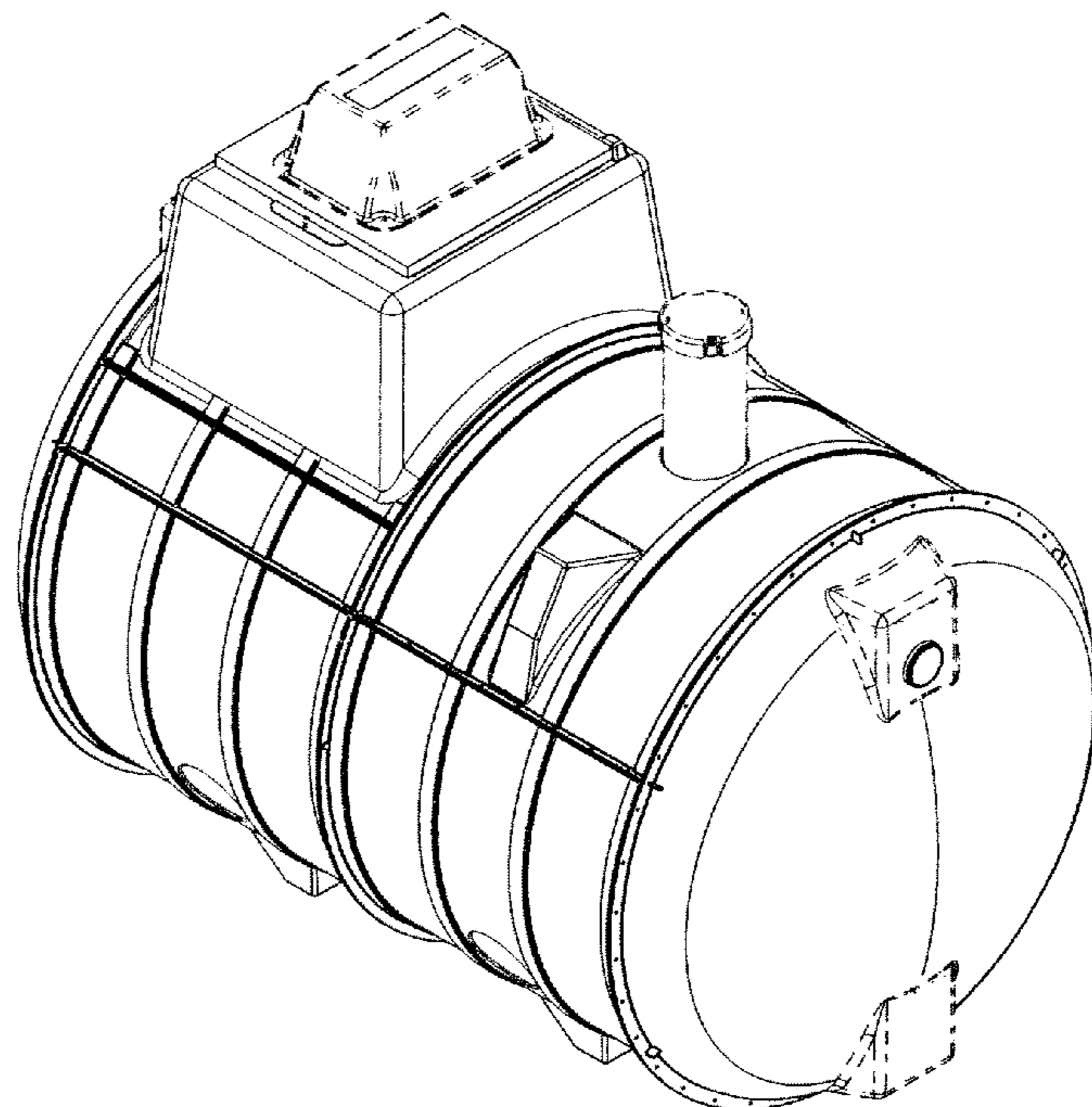
The ornamental design for a tank, as shown and described.

DESCRIPTION

FIG. 1 is a perspective view of a tank;
 FIG. 2 is a perspective view of the tank;
 FIG. 3 is an end elevational view of the tank;
 FIG. 4 is an end elevational view of the tank from the opposite end of that shown in FIG. 3;
 FIG. 5 is a bottom plan view of the tank;
 FIG. 6 is a top plan view of the tank;
 FIG. 7 is a side elevational view of the tank; and,
 FIG. 8 is a side elevational view of the tank from the opposite side to that shown in FIG. 7.

Broken lines shown in the drawings are for illustrative purposes only and do not form part of the claimed design.

1 Claim, 4 Drawing Sheets



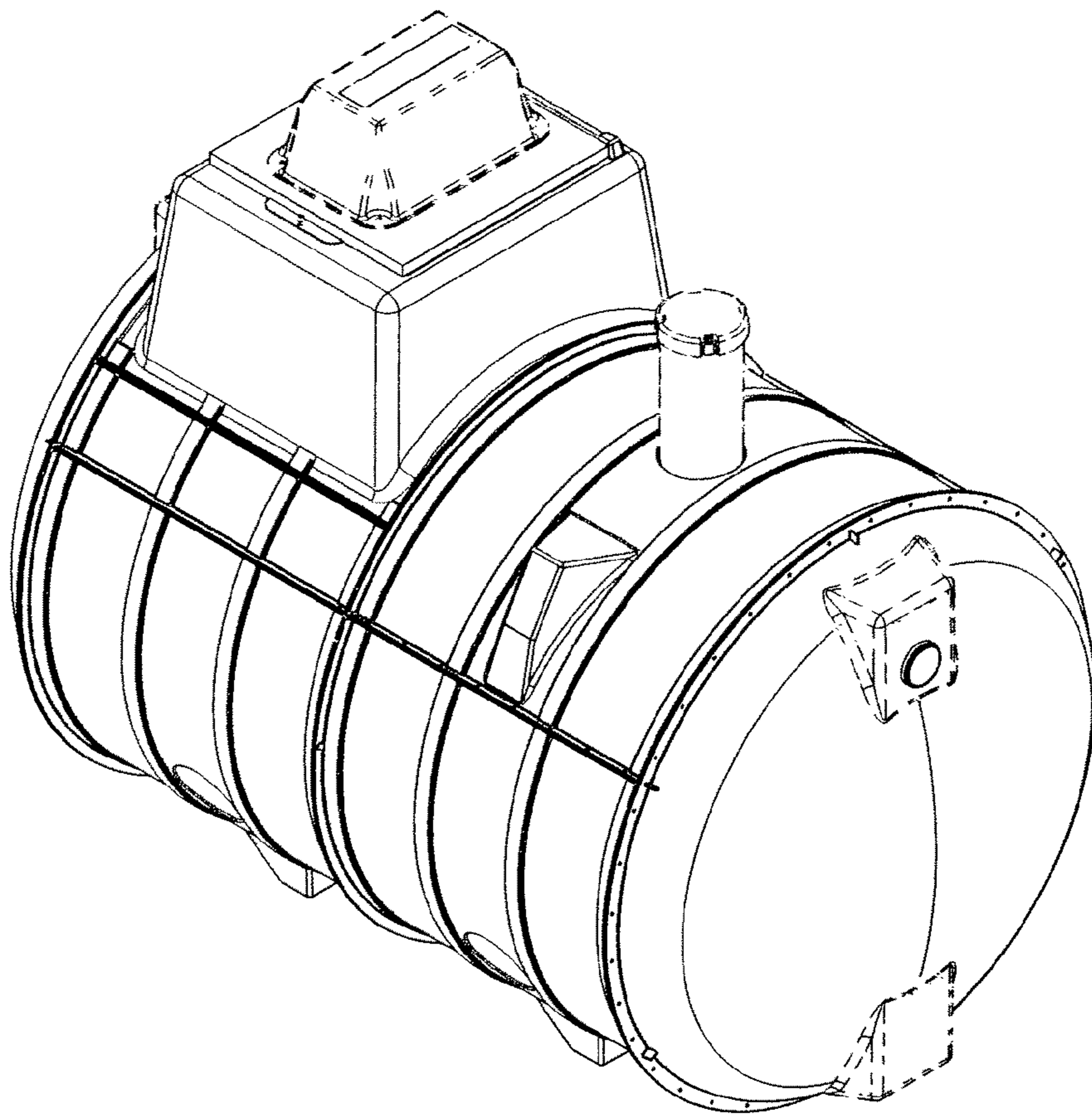


Fig. 1

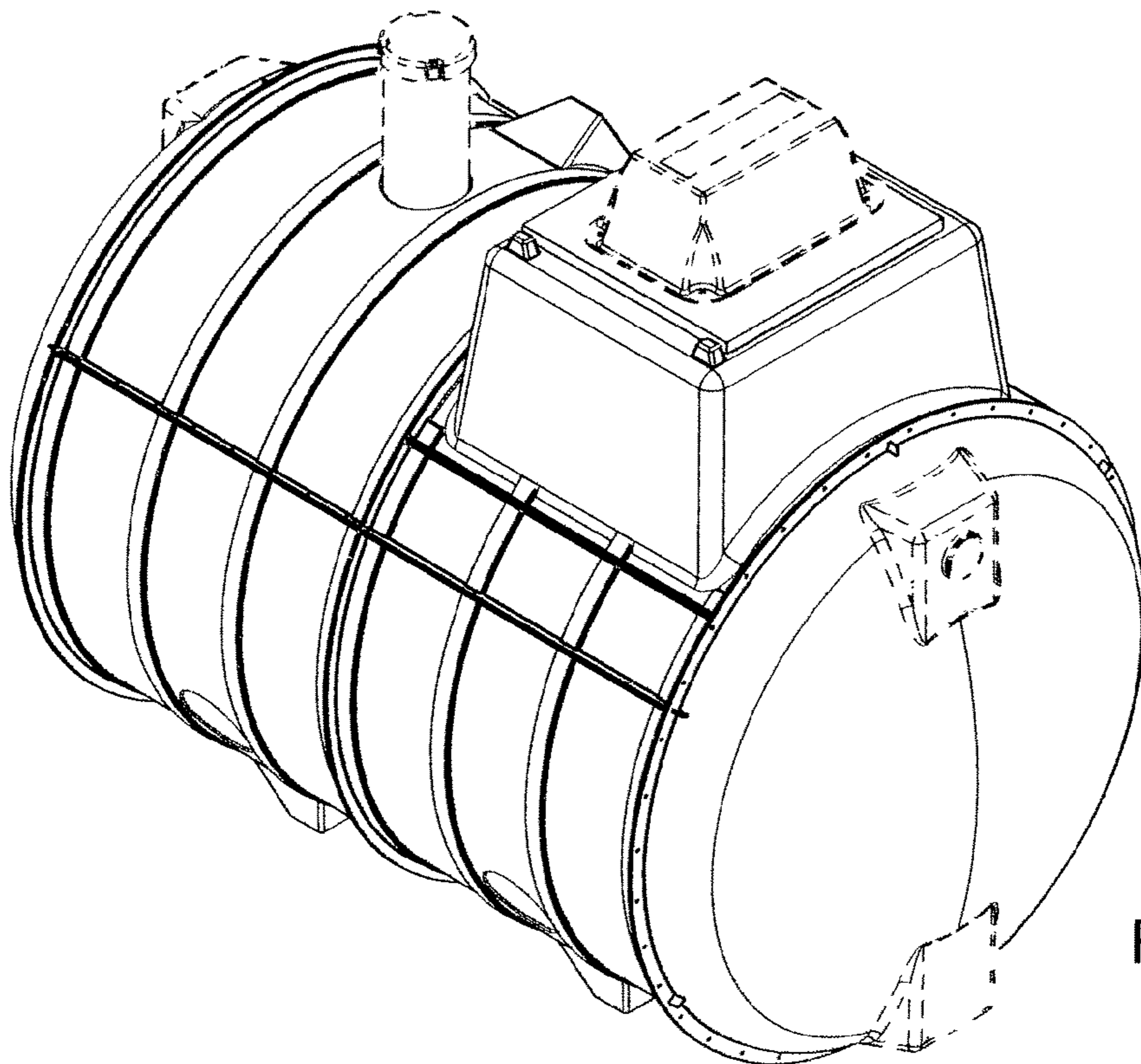


Fig. 2

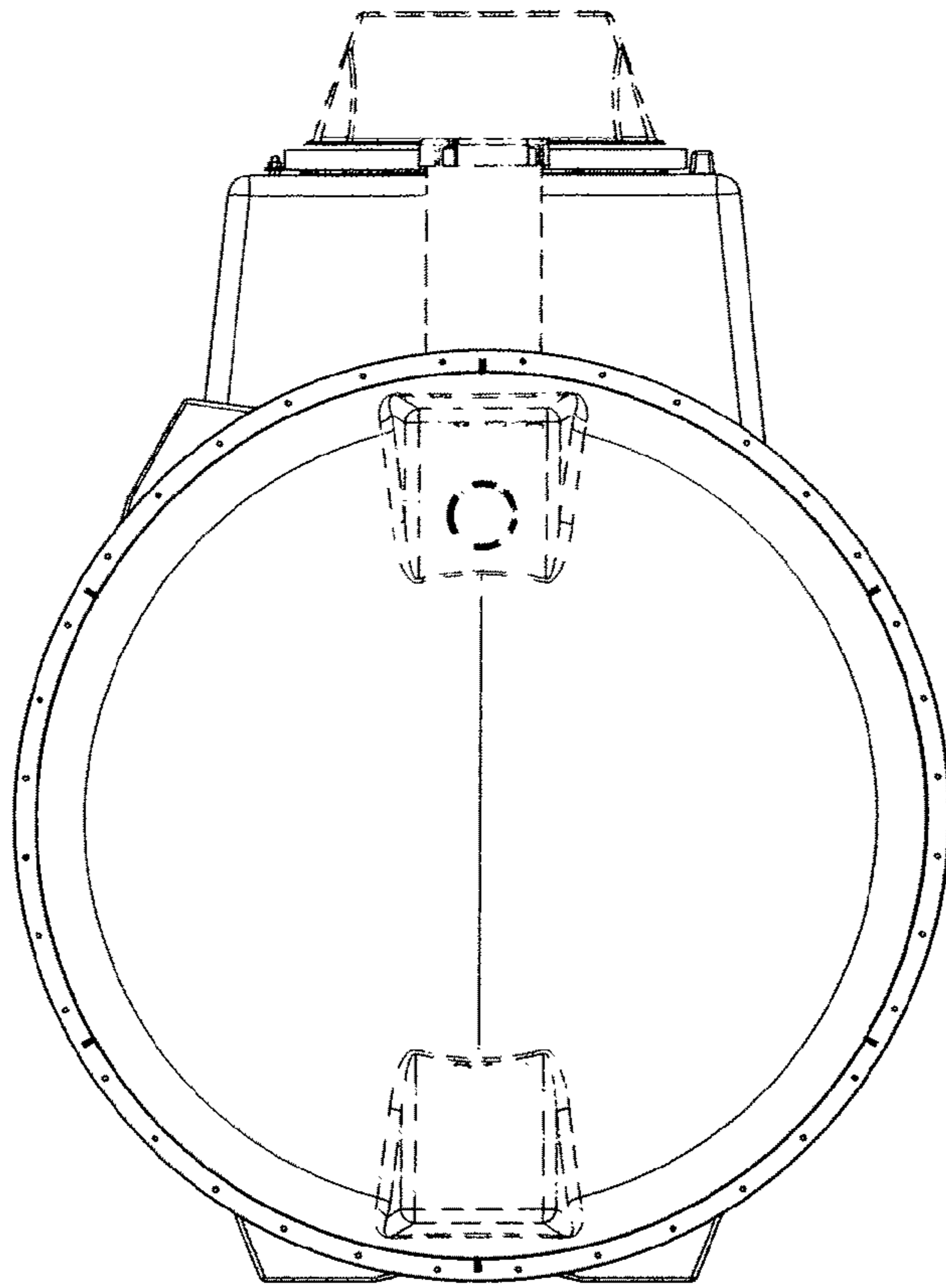


Fig. 3

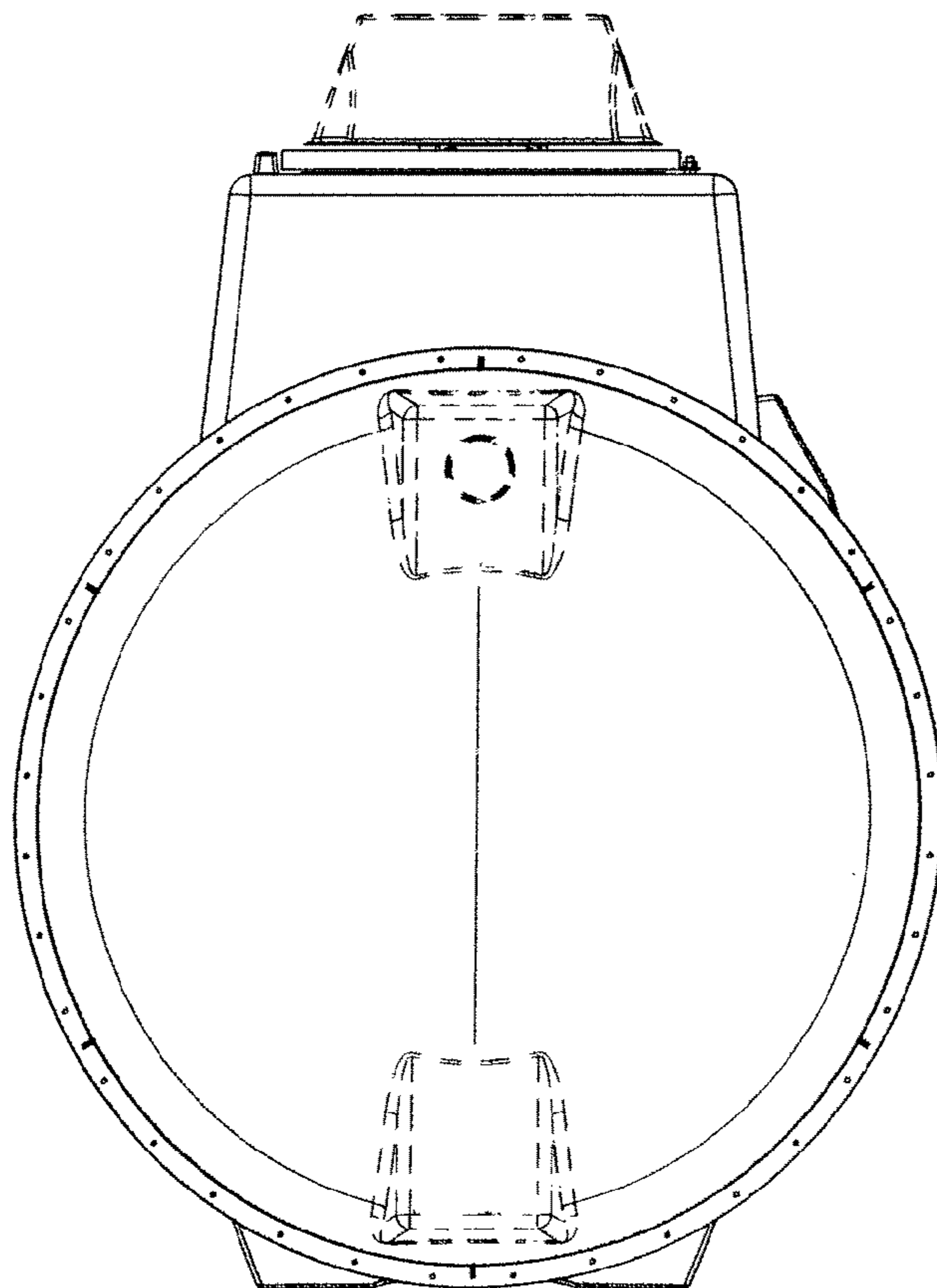


Fig. 4

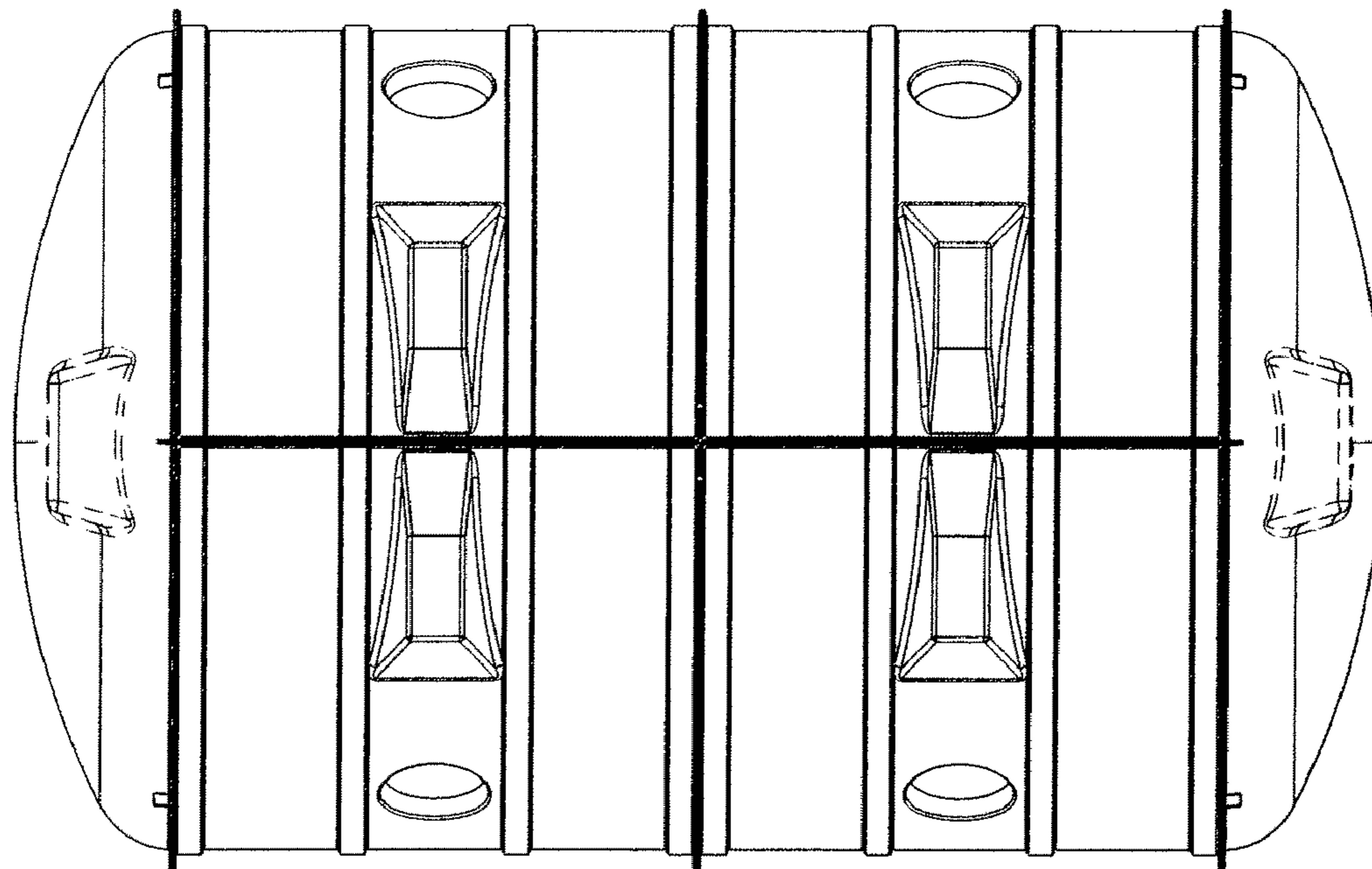


Fig. 5

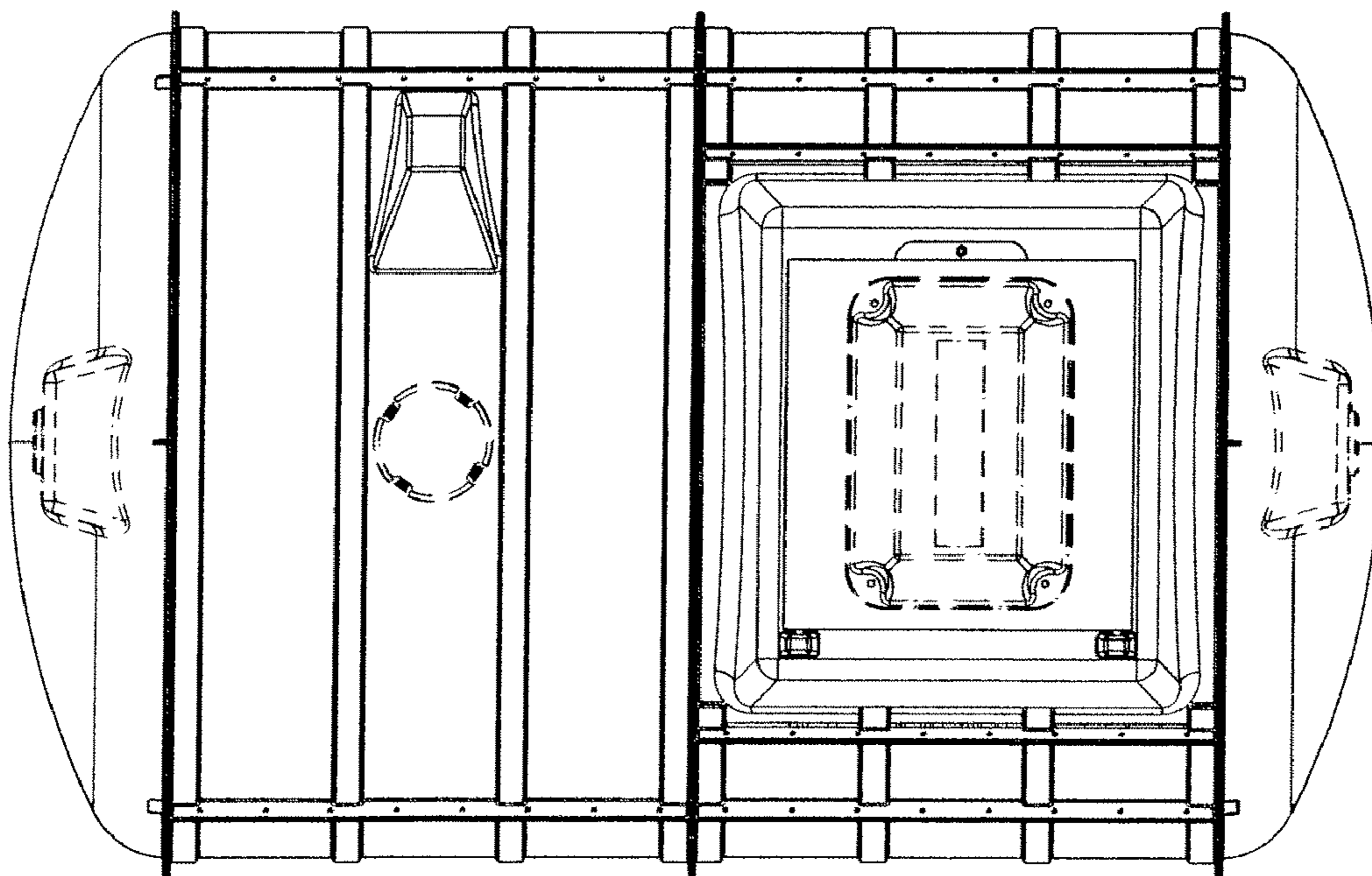


Fig. 6

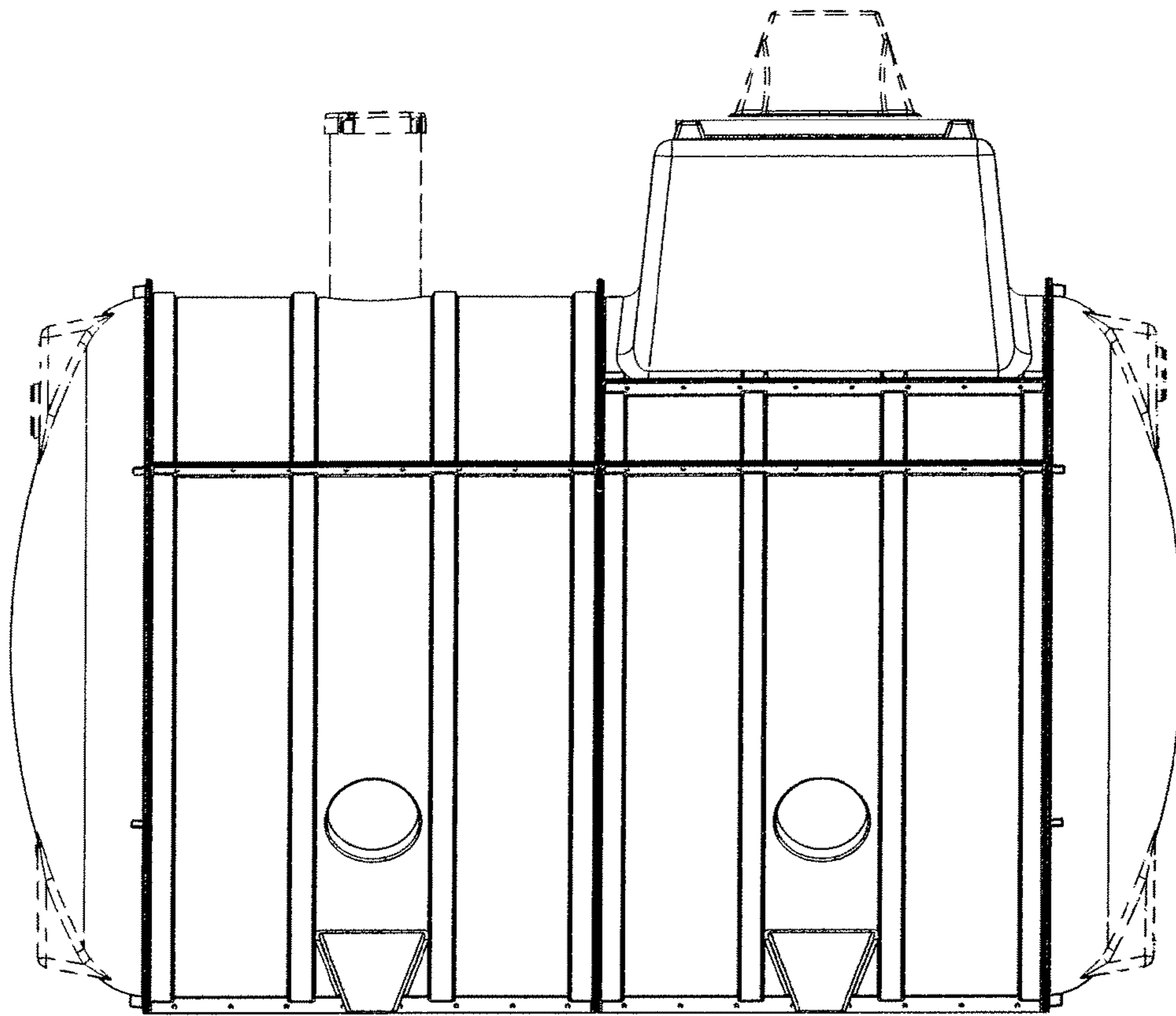


Fig. 7

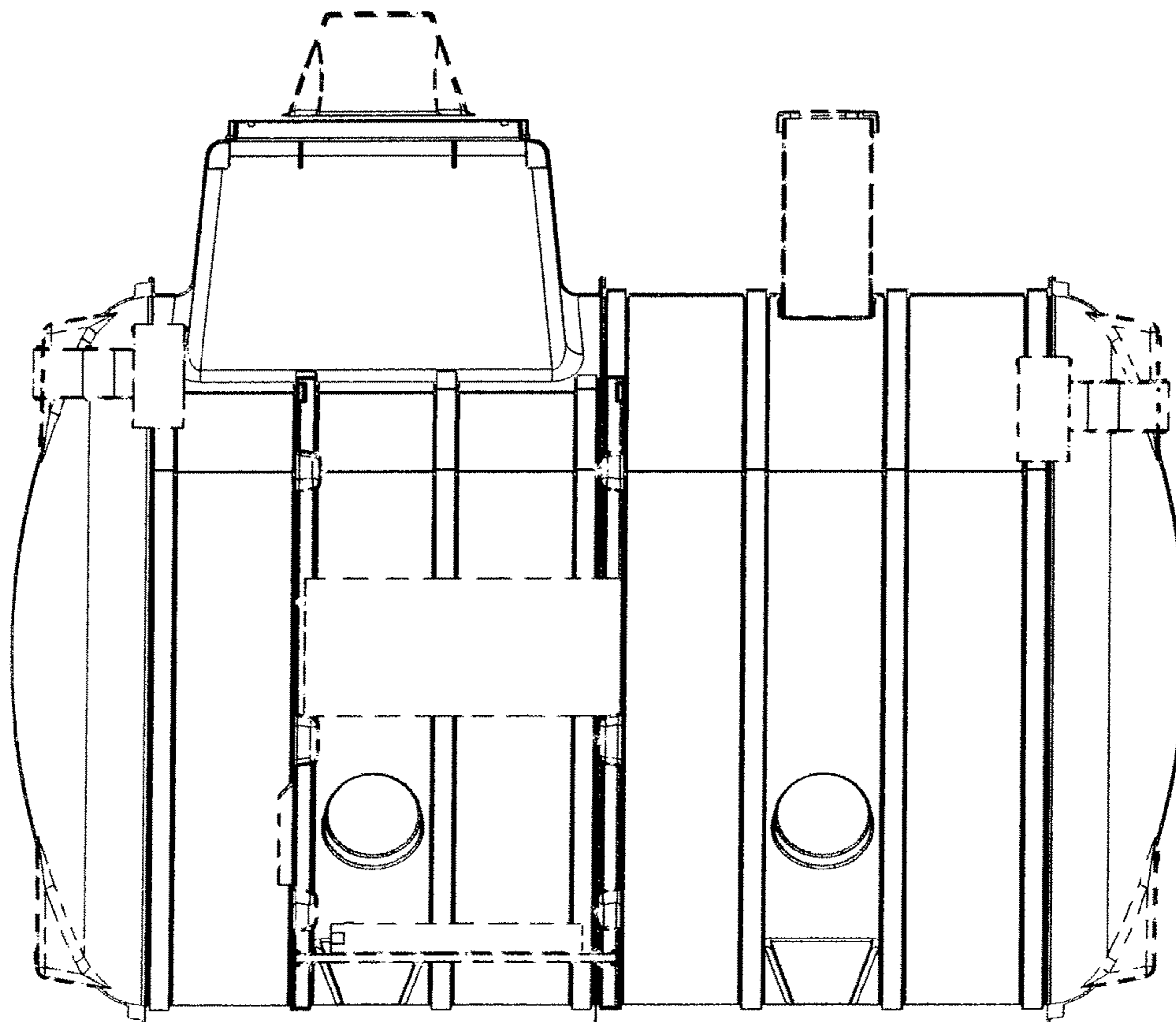


Fig. 8