



US00D629863S

(12) **United States Design Patent**
Cohn et al.

(10) **Patent No.:** **US D629,863 S**

(45) **Date of Patent:** **** Dec. 28, 2010**

(54) **FISHING LINE UNLOADER**

(76) Inventors: **Garland R. Cohn**, P.O. Box 1547,
Magnolia, TX (US) 77353; **Lana Cohn**,
P.O. Box 1547, Magnolia, TX (US)
77353

(**) Term: **14 Years**

(21) Appl. No.: **29/360,749**

(22) Filed: **Apr. 30, 2010**

(51) **LOC (9) Cl.** **22-05**

(52) **U.S. Cl.** **D22/134**

(58) **Field of Classification Search** D22/134,
D22/199; 43/20, 25, 25.2; 242/129.8, 404.2,
242/310, 398, 598.1, 902, 250, 264, 270,
242/285, 396.9, 397.1, 366

See application file for complete search history.

(56) **References Cited**

U.S. PATENT DOCUMENTS

1,971,000	A	8/1934	Field	
3,026,059	A	3/1962	Dennler	
4,151,966	A	5/1979	Lindsay	
D283,910	S *	5/1986	Scott	D22/134
4,932,602	A *	6/1990	Scott	242/394.1
D325,618	S *	4/1992	Roberts, Sr.	D22/134
D332,298	S *	1/1993	Logsdon	D22/134

5,375,788	A	12/1994	English	
5,855,085	A *	1/1999	Jinks, Jr.	43/20
D456,483	S *	4/2002	Cryer et al.	D22/134
D587,337	S *	2/2009	Loftis	D22/134

* cited by examiner

Primary Examiner—Catherine R Oliver

(74) *Attorney, Agent, or Firm*—Crossley Patent Law; Mark A. Crossley

(57) **CLAIM**

The ornamental design for a fishing line unloader, as shown and described.

DESCRIPTION

FIG. 1 is a front elevation view of a fishing line unloader showing our new design;

FIG. 2 is a rear elevation view thereof;

FIG. 3 is a right elevation view thereof;

FIG. 4 is a left elevation view thereof;

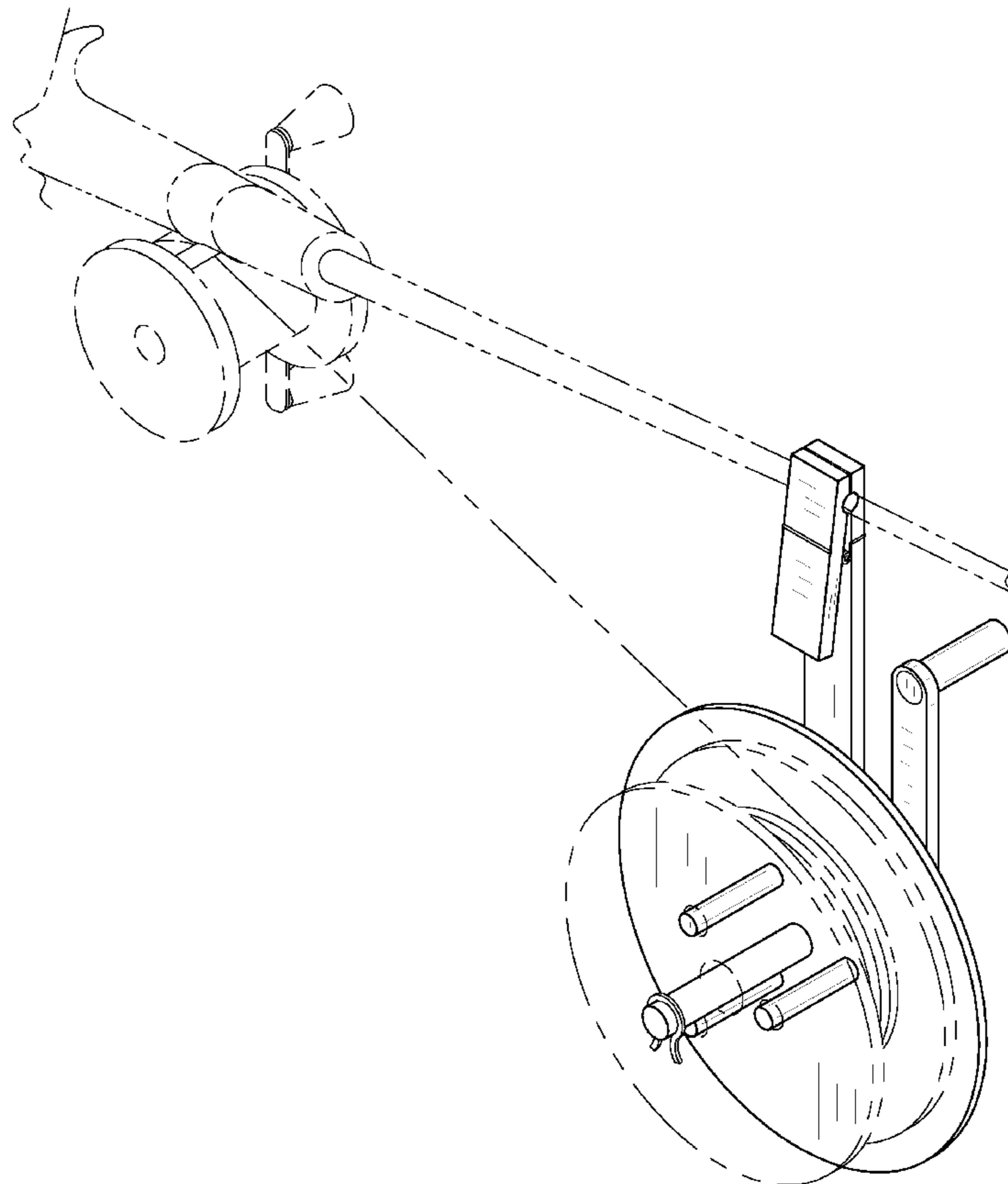
FIG. 5 is a top plan view thereof;

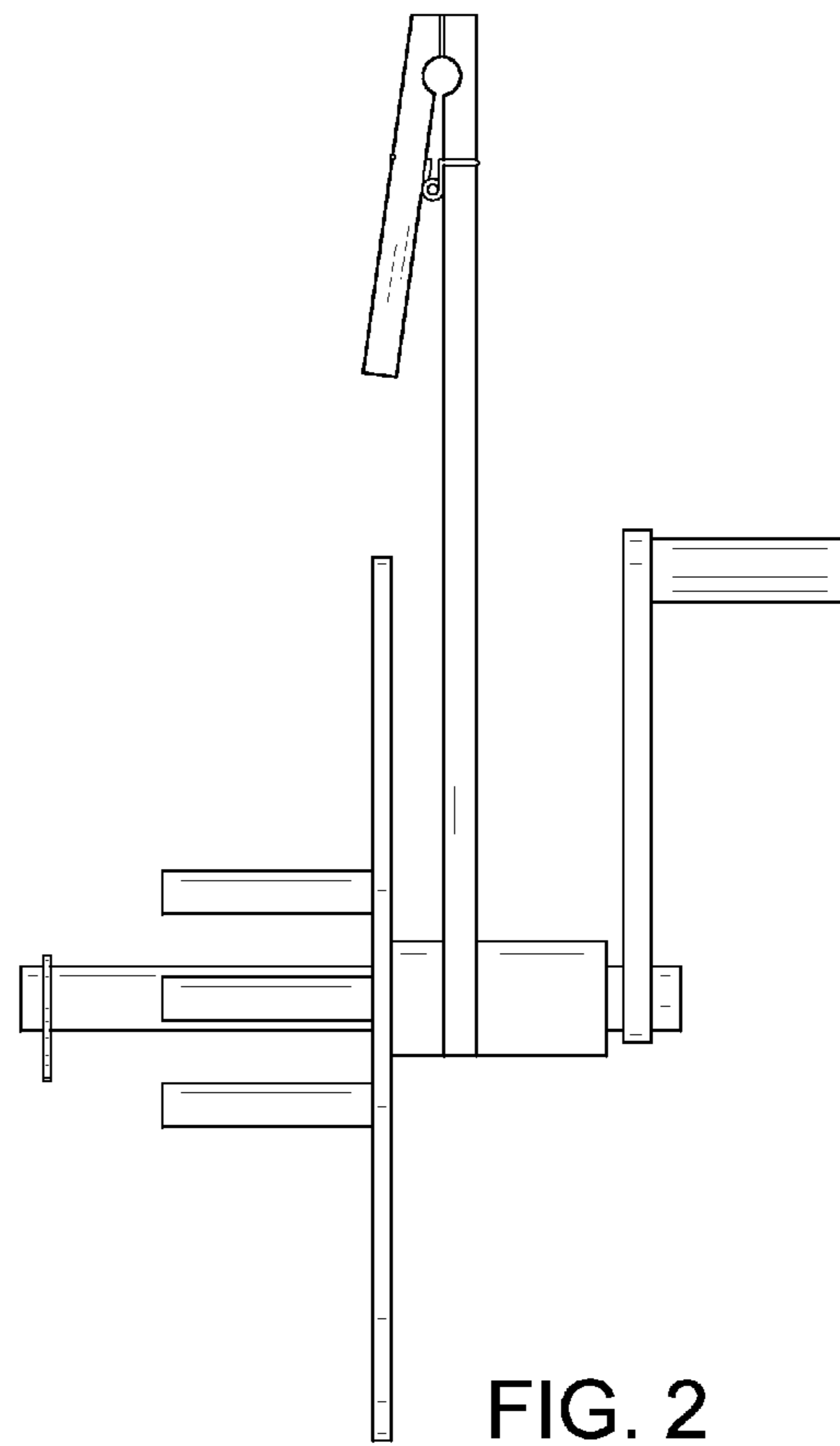
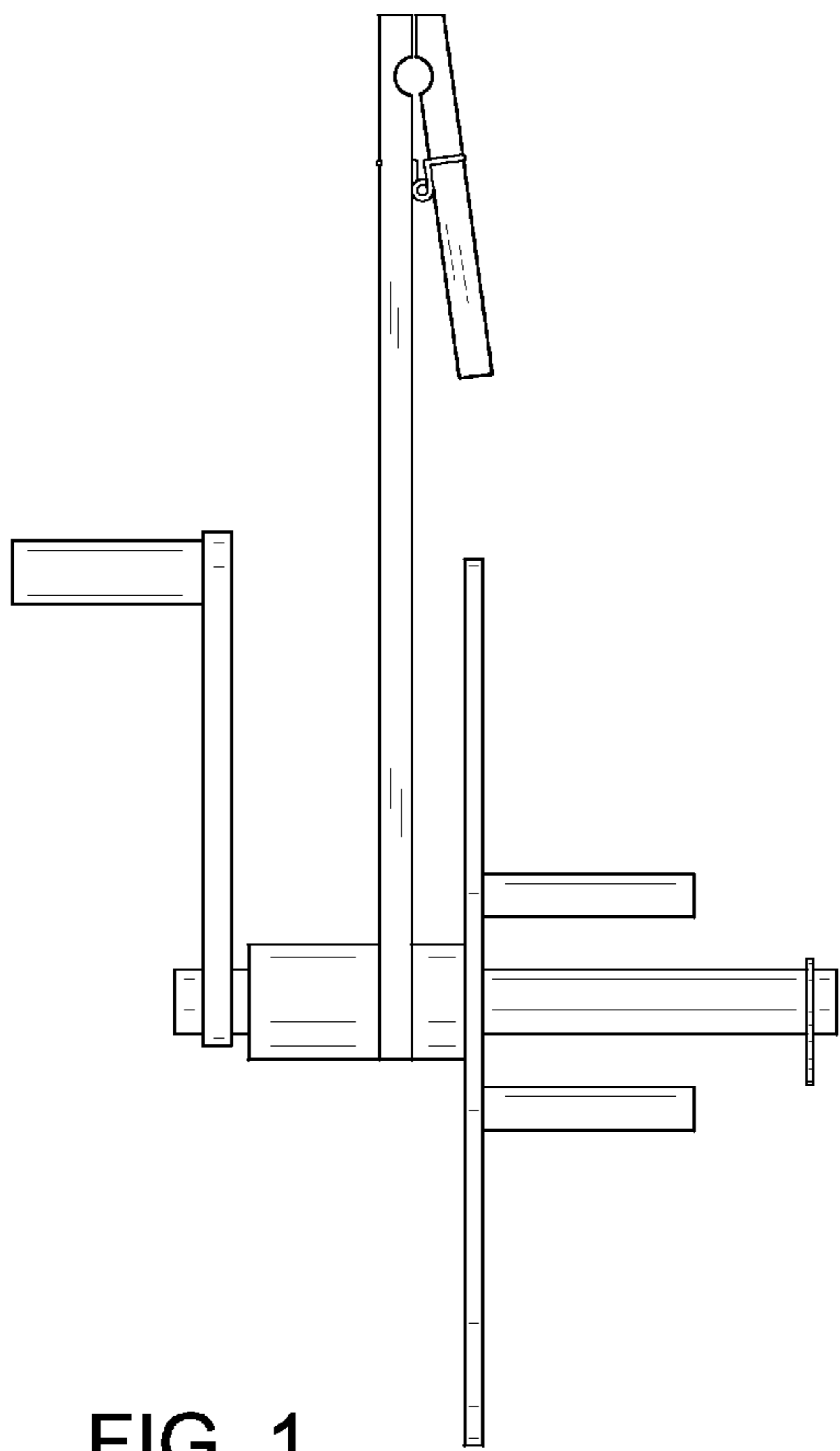
FIG. 6 is a bottom plan view thereof; and,

FIG. 7 is an isometric view thereof.

The broken lines in the drawings depict environmental subject matter only and form no part of the claimed design.

1 Claim, 4 Drawing Sheets





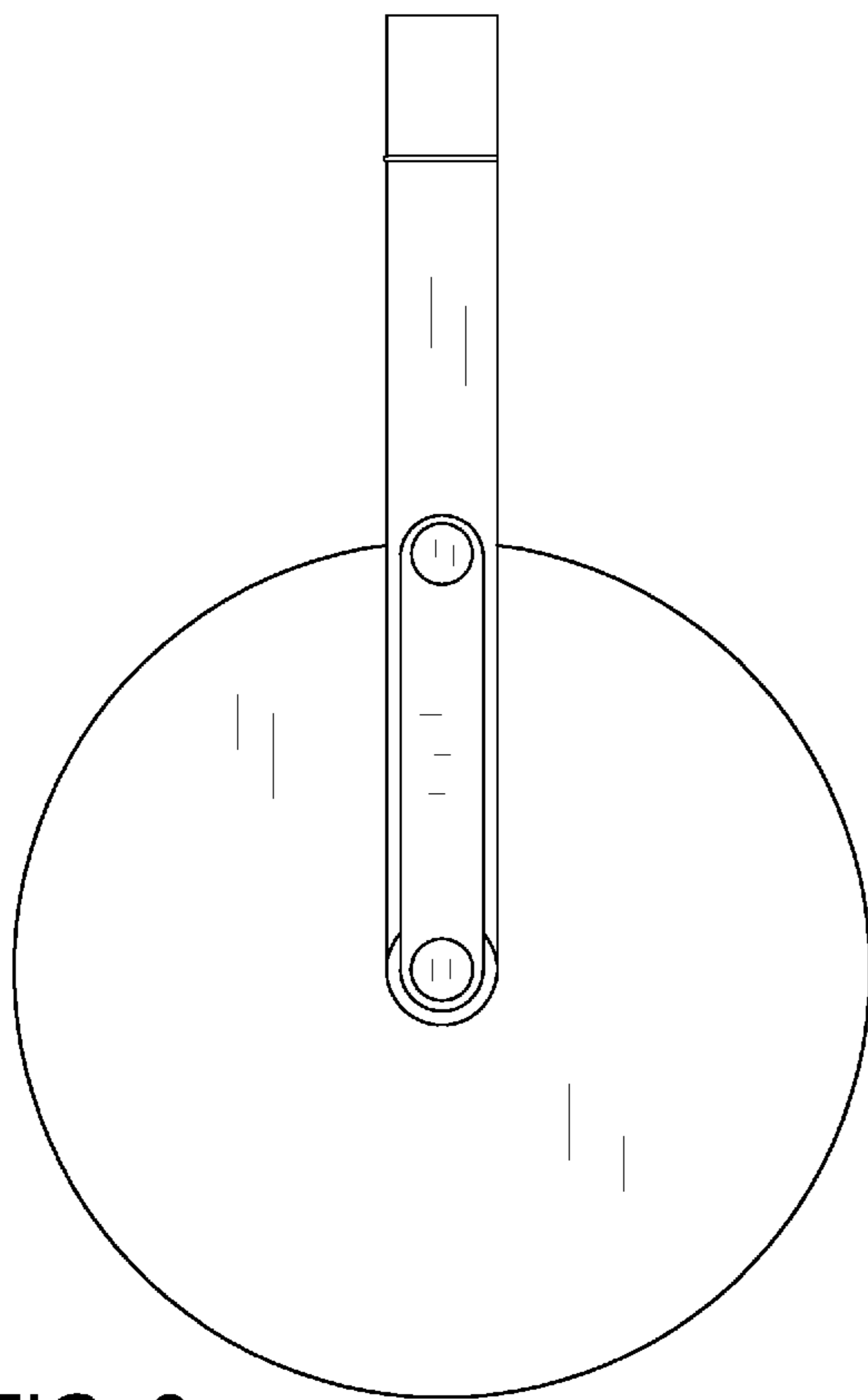


FIG. 3

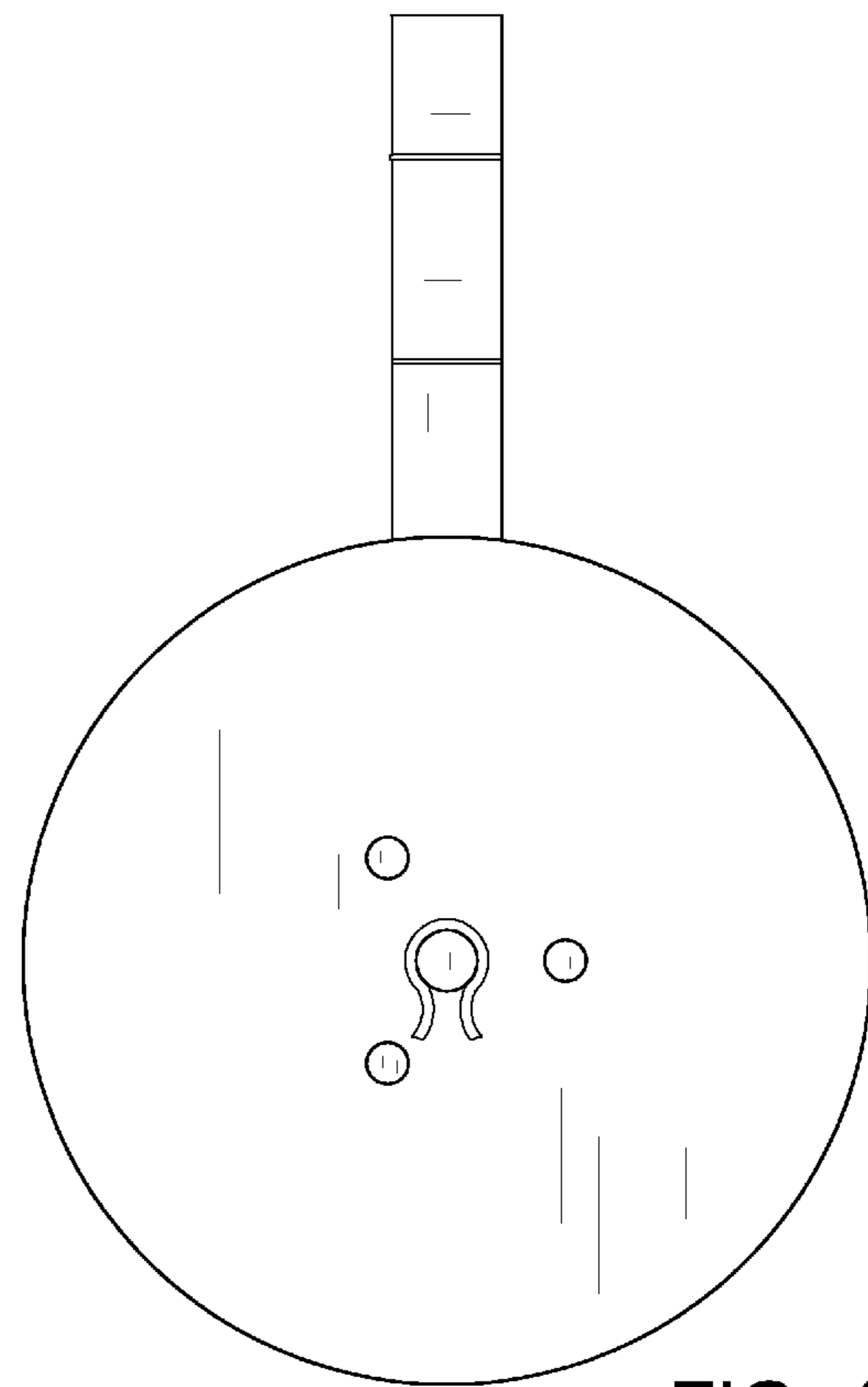


FIG. 4

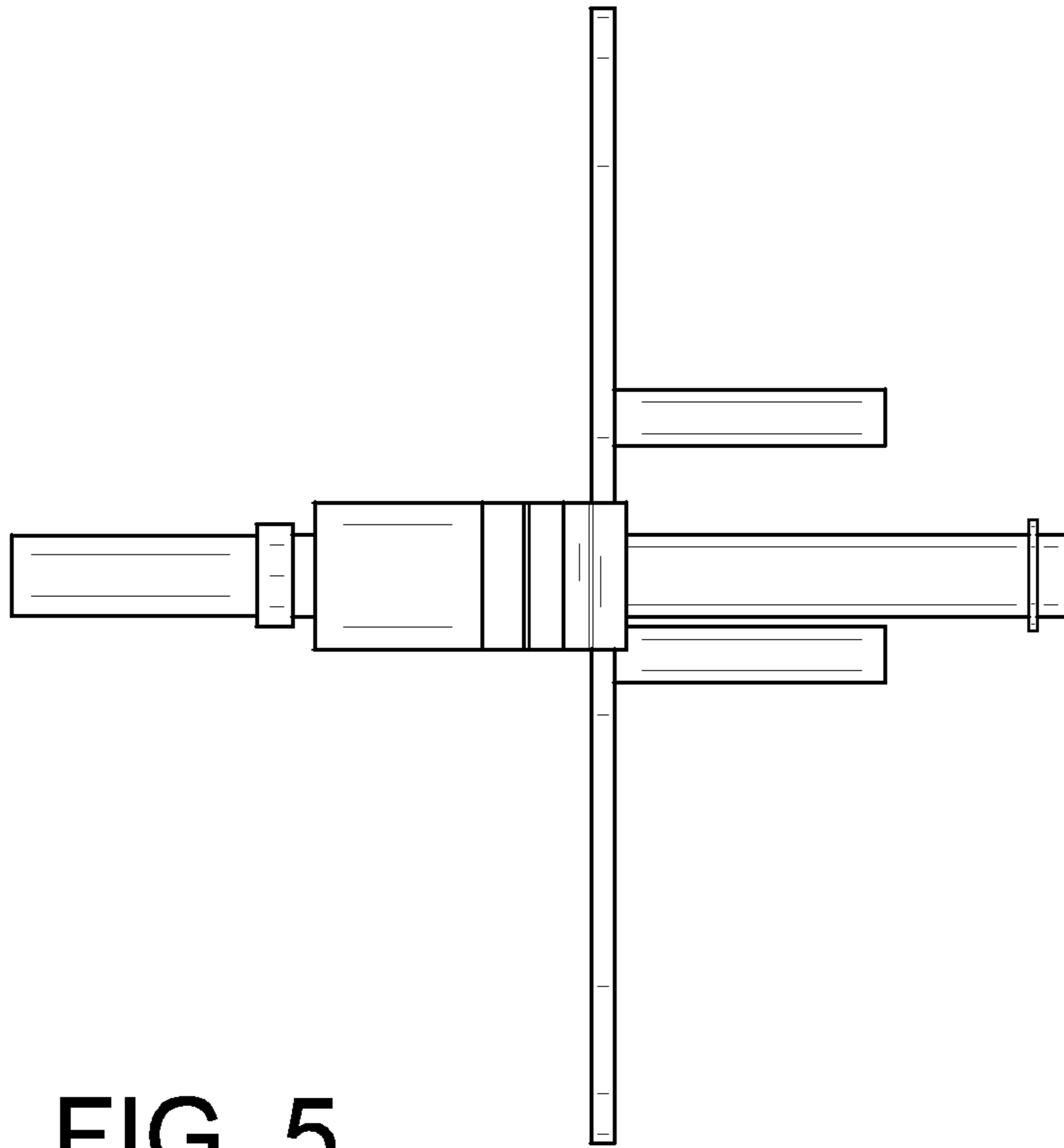


FIG. 5

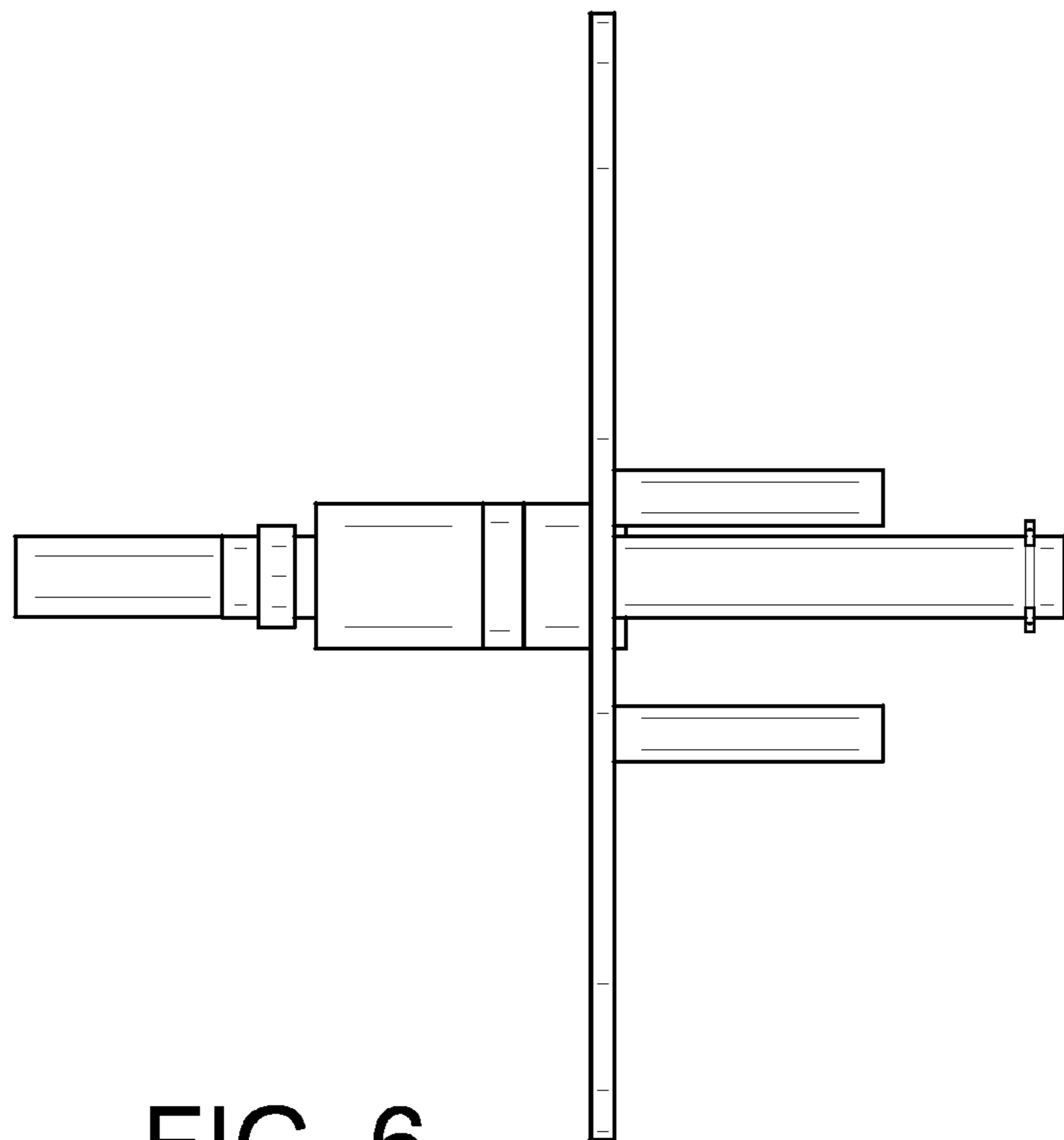


FIG. 6

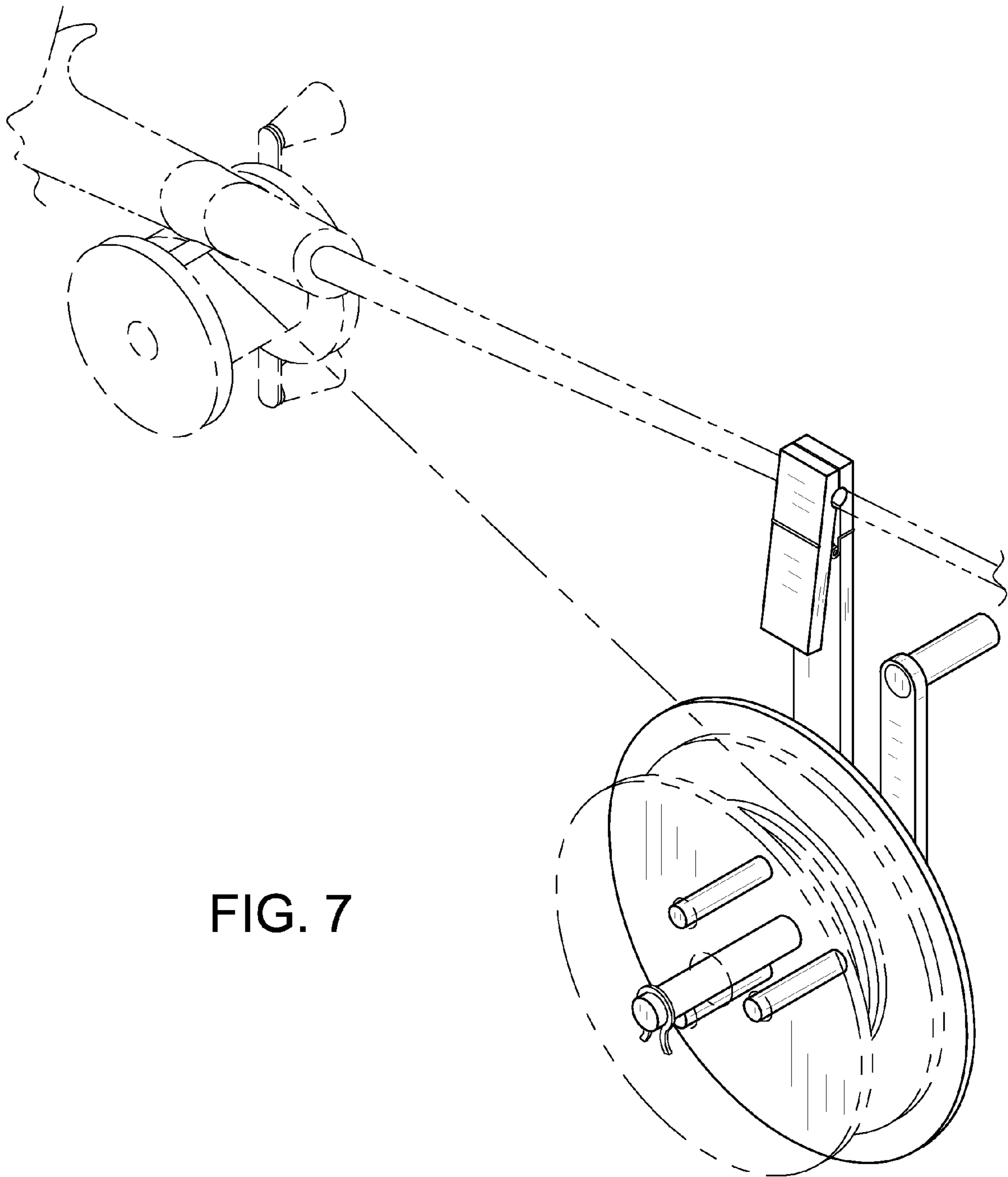


FIG. 7