

US00D629862S

(12) **United States Design Patent**  
**Kreiman et al.**

(10) **Patent No.:** **US D629,862 S**

(45) **Date of Patent:** **\*\* Dec. 28, 2010**

(54) **MILITARY TARGET SYSTEM**

(75) Inventors: **Kerry L. Kreiman**, Knoxville, TN (US);  
**Mark C. Englert**, Stockbridge, GA  
(US); **William R. Brown, Jr.**, Lenoir  
City, TN (US); **Donald Ray Buttrey**,  
Knoxville, TN (US); **Matthew G.**  
**Hughs**, Knoxville, TN (US)

(73) Assignee: **EOD Technology, Inc.**, Lenoir City, TN  
(US)

(\*\*) Term: **14 Years**

(21) Appl. No.: **29/352,789**

(22) Filed: **Dec. 28, 2009**

**Related U.S. Application Data**

(63) Continuation of application No. 29/339,572, filed on  
Jul. 2, 2009.

(51) **LOC (9) Cl.** ..... **22-04**

(52) **U.S. Cl.** ..... **D22/113**

(58) **Field of Classification Search** ..... D22/113,  
D22/199; 463/52, 54, 56; 273/331, 348,  
273/407, 127 R; 473/190

See application file for complete search history.

(56) **References Cited**

**U.S. PATENT DOCUMENTS**

884,663	A	4/1908	Johnston et al	
1,424,632	A	8/1922	Fenton	
3,506,266	A *	4/1970	Wintersteen	273/392
4,052,058	A	10/1977	Hintz	
4,283,060	A	8/1981	Braunschweiler	
4,401,303	A	8/1983	Anderson et al.	
4,501,427	A	2/1985	Payne	
4,691,925	A	9/1987	Scholem	
4,726,593	A *	2/1988	Wade	273/392
5,176,386	A	1/1993	Simmons	

5,277,432	A	1/1994	Bateman	
5,533,732	A *	7/1996	Leinen et al.	273/375
6,347,798	B1 *	2/2002	Quiring et al.	273/391
6,398,215	B1	6/2002	Carroll	
6,478,301	B1	11/2002	Witmeyer	
6,994,348	B2	2/2006	Lambert et al.	
6,994,349	B2	2/2006	Lambert et al.	
7,114,725	B2	10/2006	Camp et al.	
7,201,376	B2	4/2007	Kuosa	
2006/0240388	A1	10/2006	Marshall et al.	
2008/0174071	A1 *	7/2008	Potterfield et al.	273/392
2008/0277876	A1 *	11/2008	Riley	273/388

\* cited by examiner

*Primary Examiner*—T. Chase Nelson

*Assistant Examiner*—Michael A Pratt

(74) *Attorney, Agent, or Firm*—Luèdeka, Neely & Graham,  
PC

(57) **CLAIM**

The ornamental design for a military target system, as shown  
and described.

**DESCRIPTION**

FIG. 1 is a perspective view of a military target system of our  
new design;

FIG. 2 is a top view of the military target system of FIG. 1;

FIG. 3 is a right side view of the military target system of FIG.  
1;

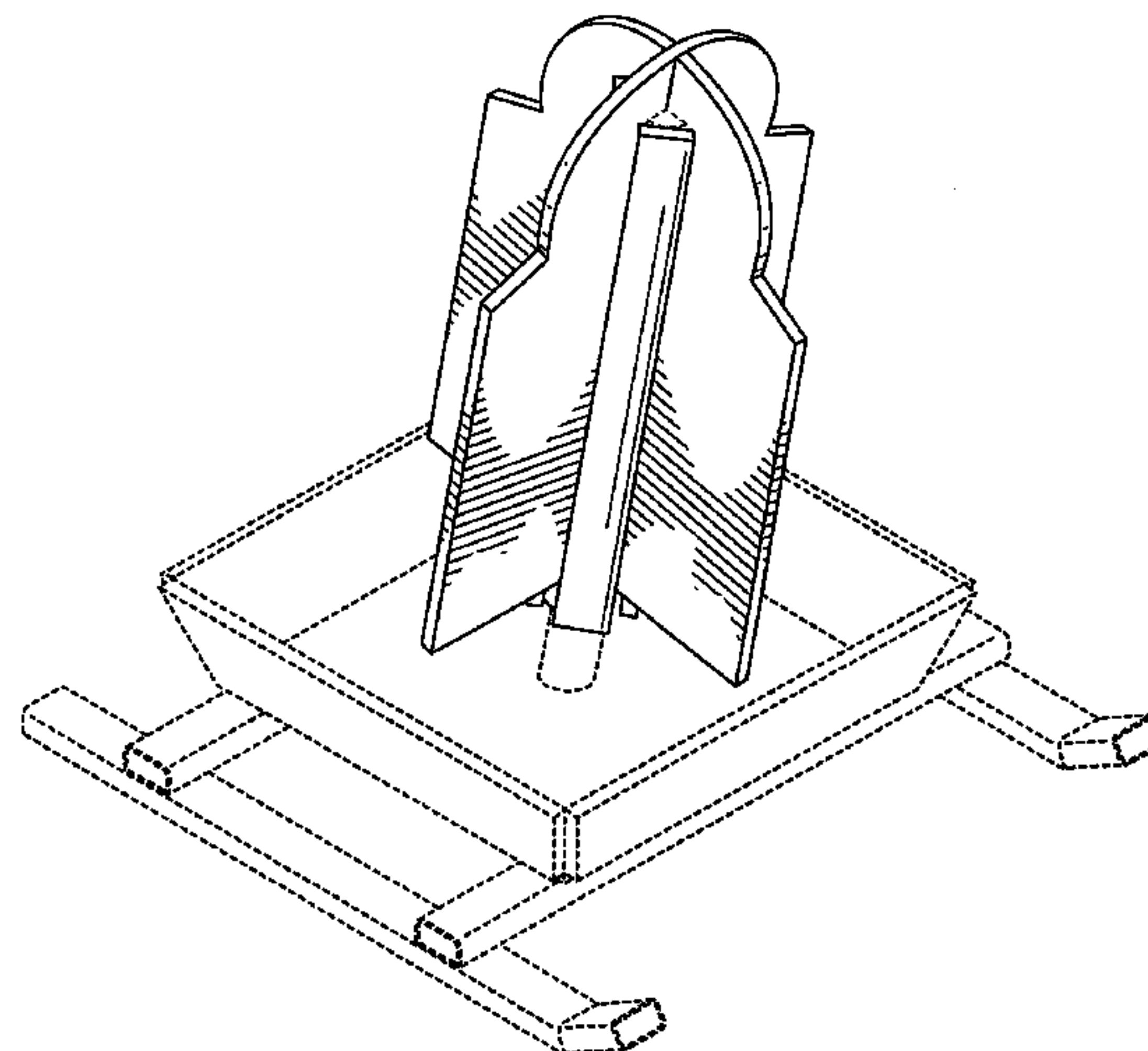
FIG. 4 is a left side view of the military target system of FIG.  
1;

FIG. 5 is a rear view of the military target system of FIG. 1;  
and,

FIG. 6 is a front view of the military target system of FIG. 1.

The broken line portions of the drawings are included for the  
purpose of illustrating unclaimed structure and form no part  
of the claimed design.

**1 Claim, 6 Drawing Sheets**



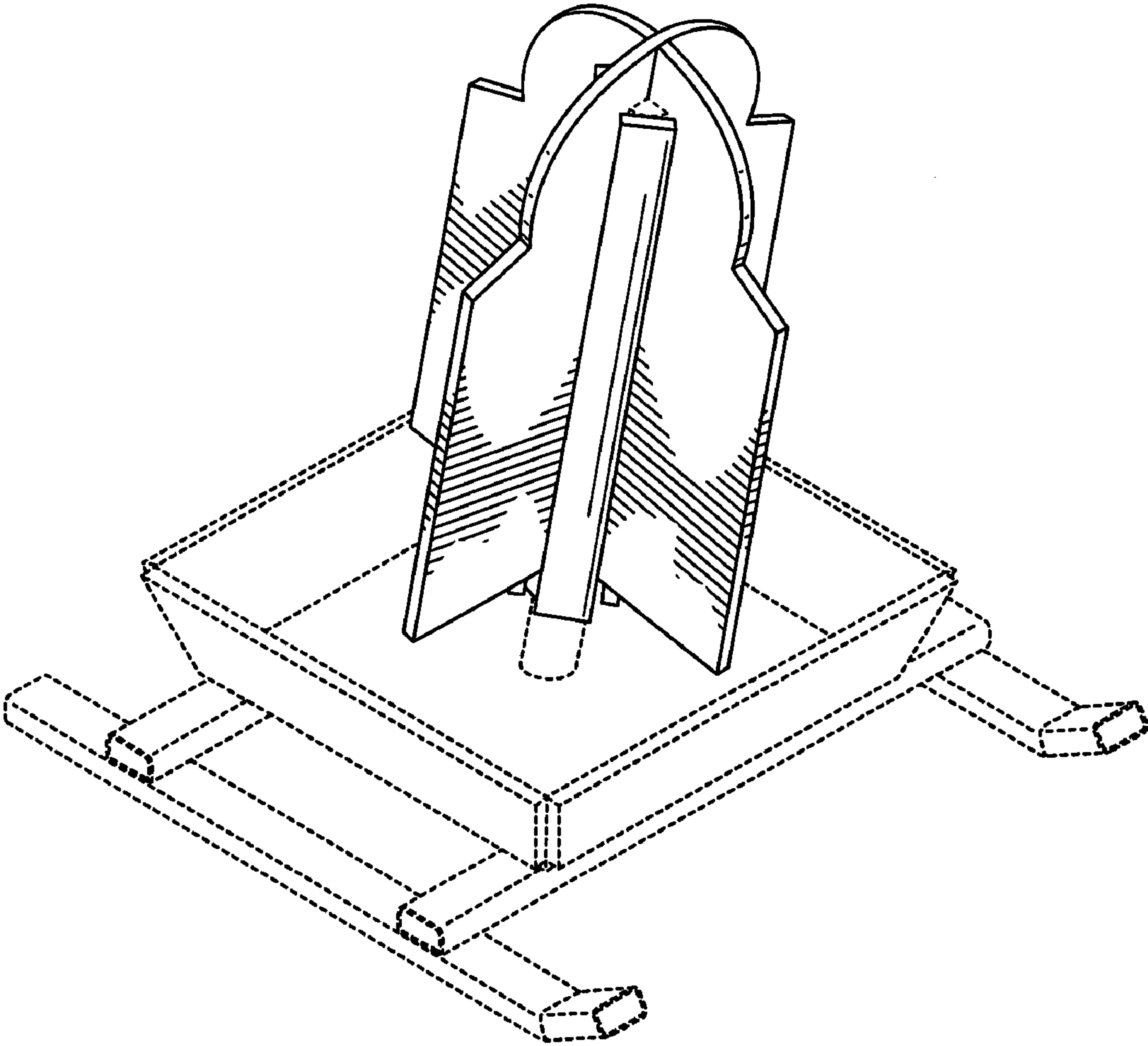


FIG. 1

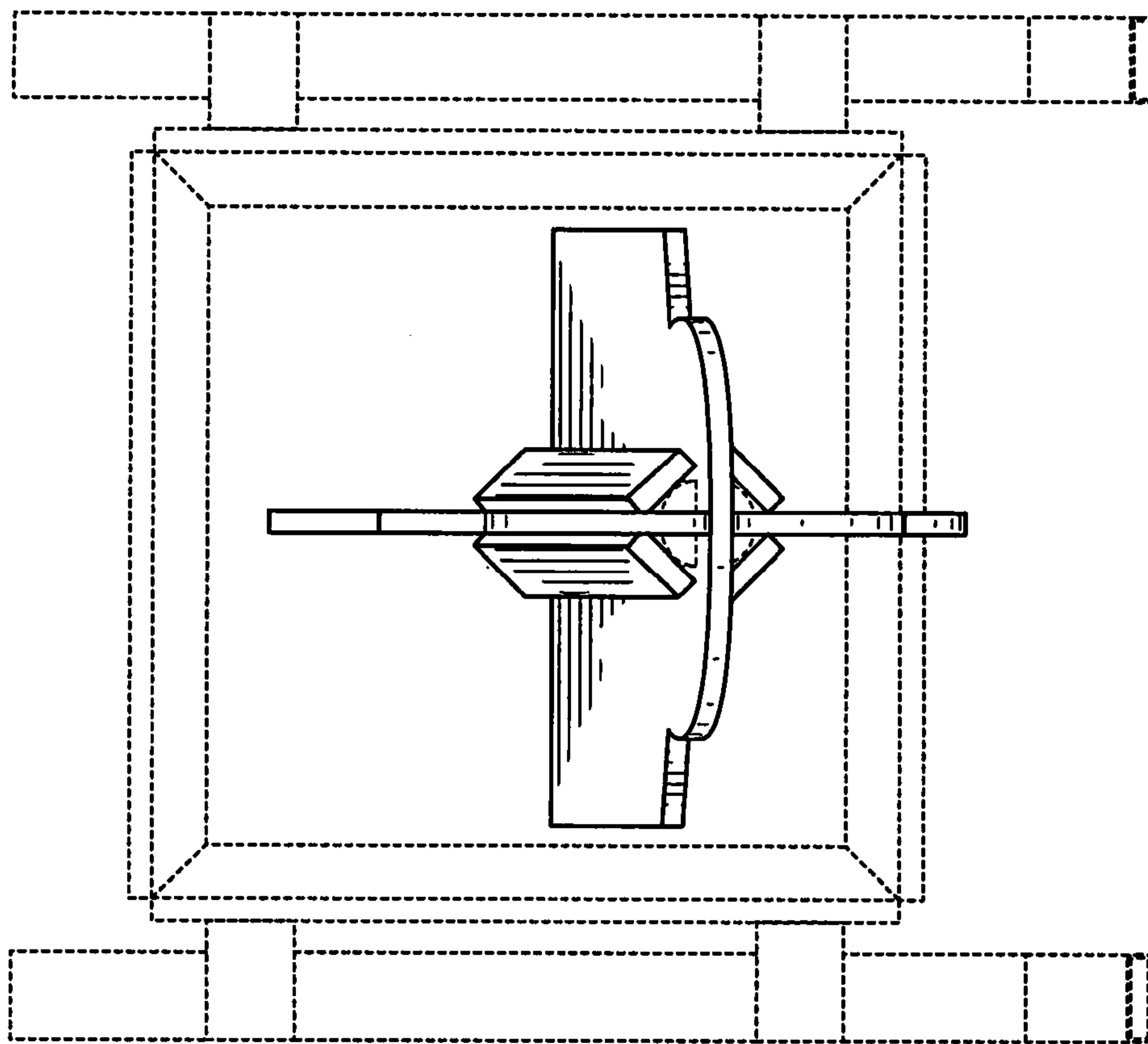


FIG. 2

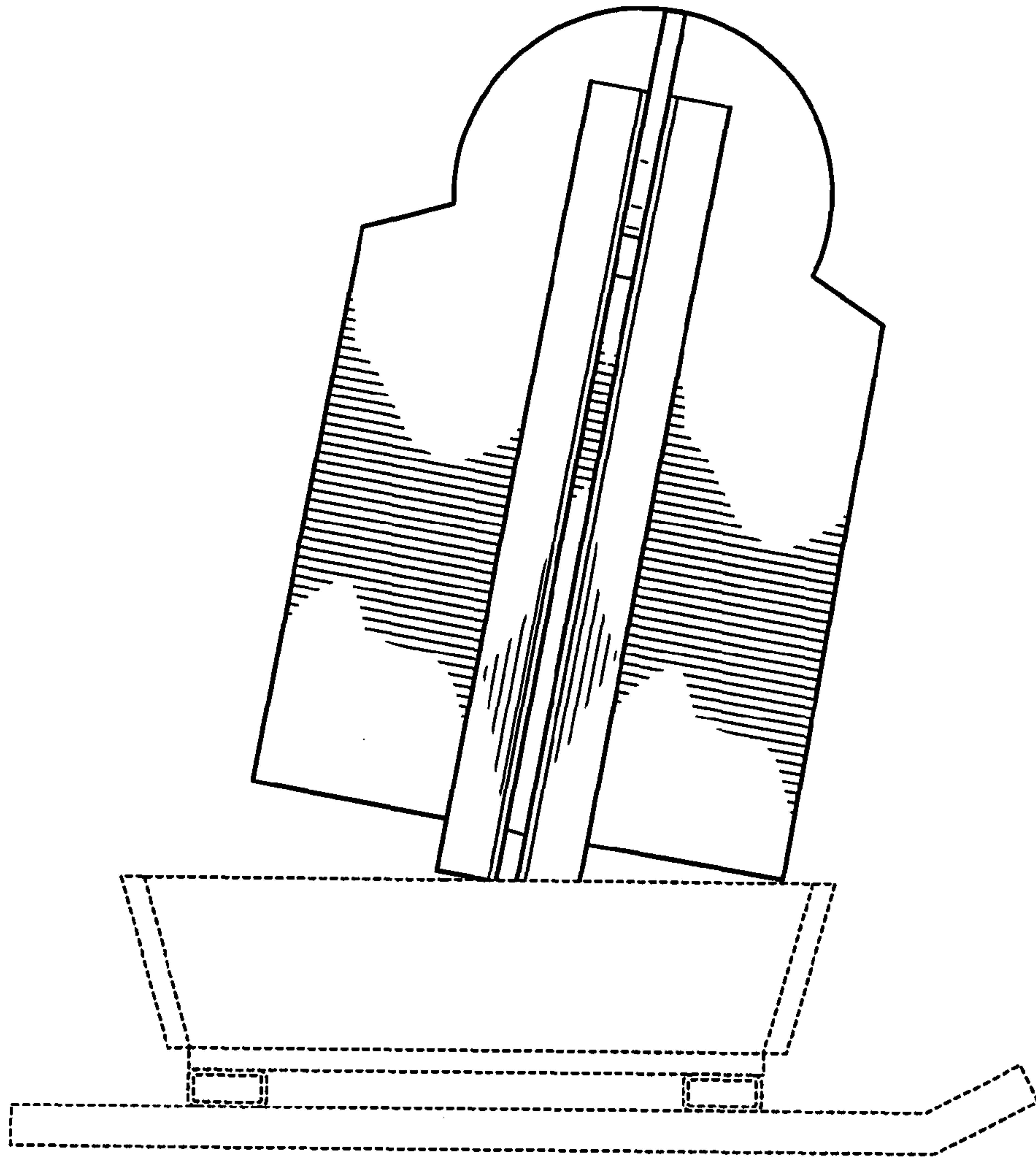


FIG. 3

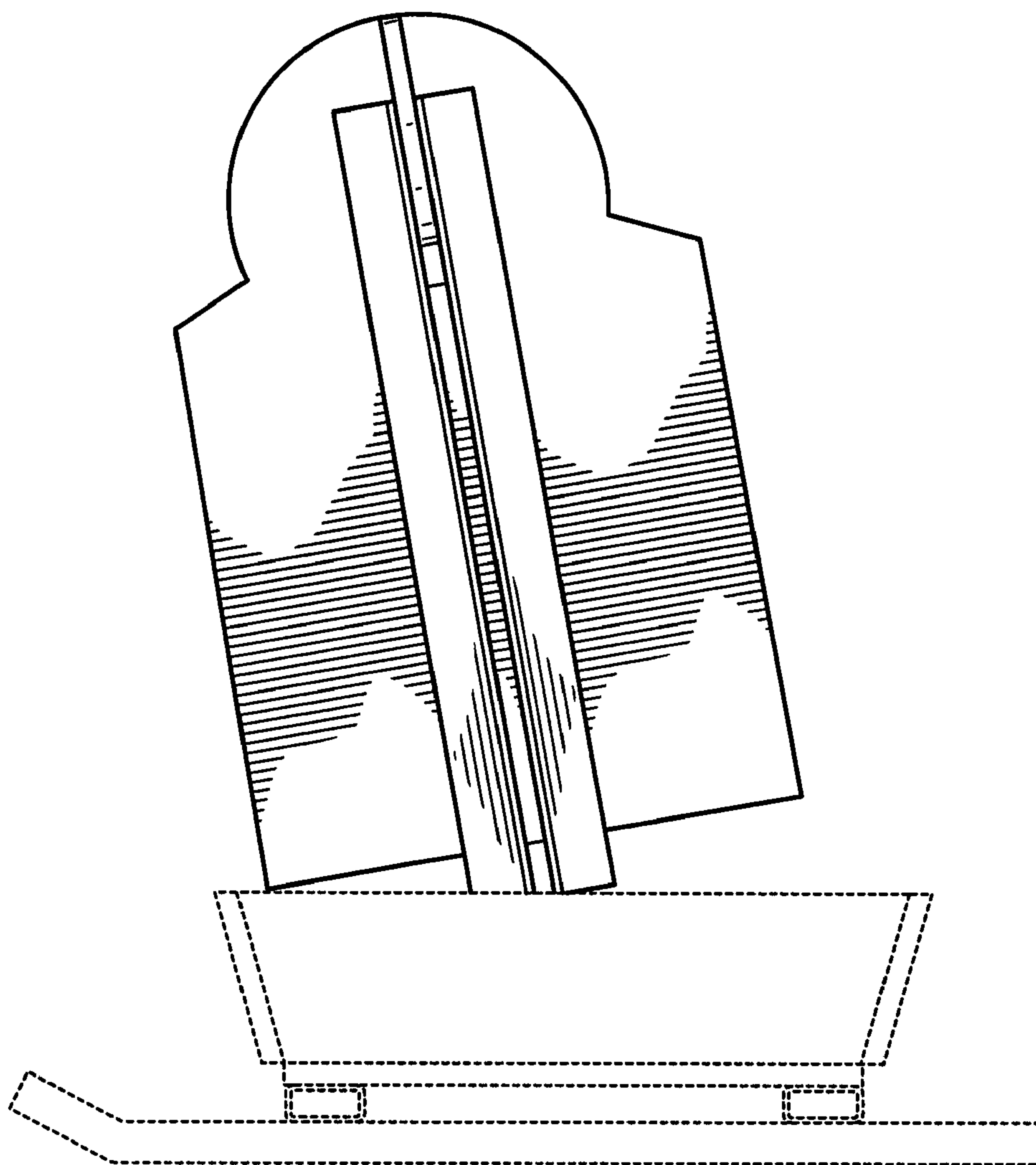


FIG. 4

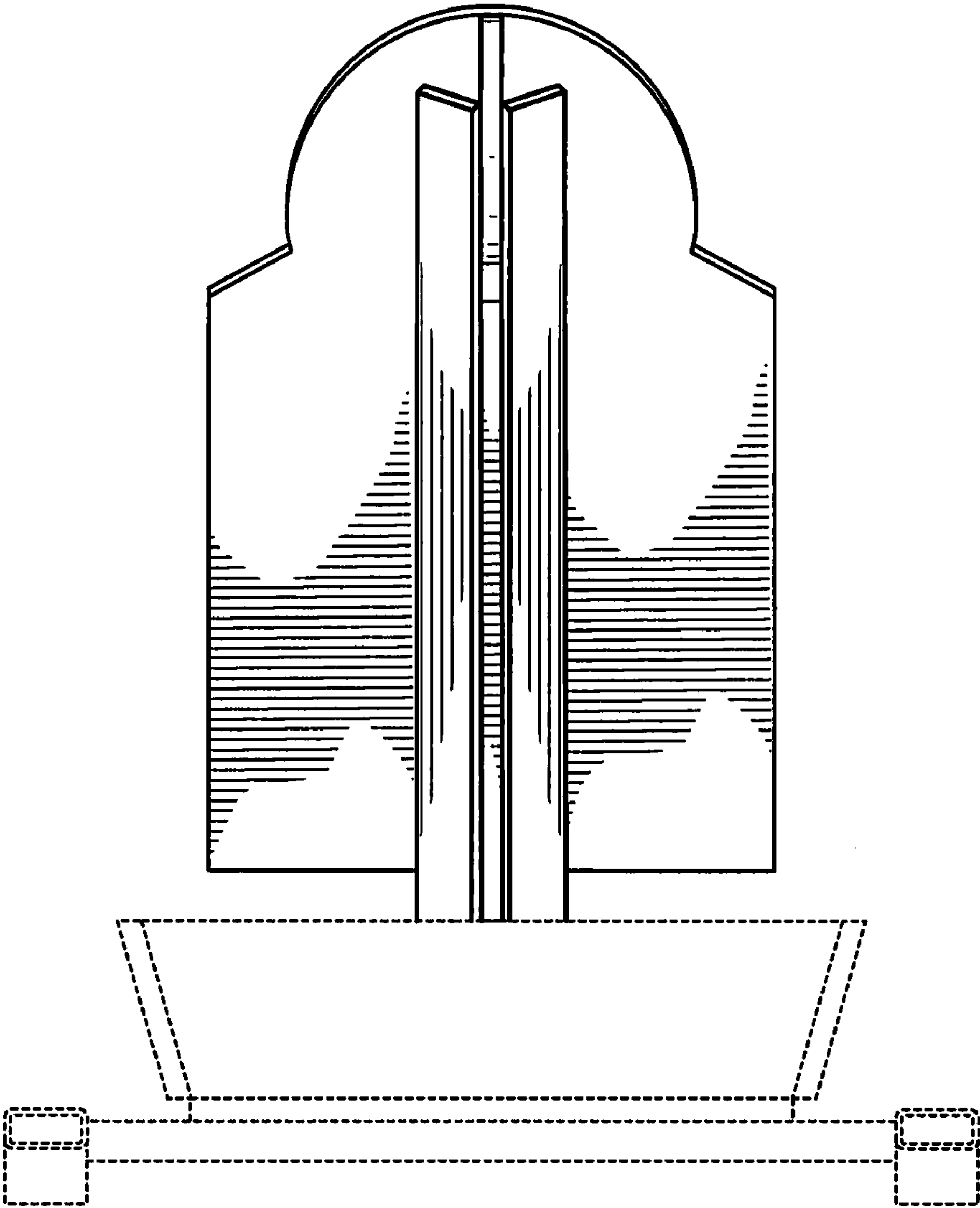


FIG. 5



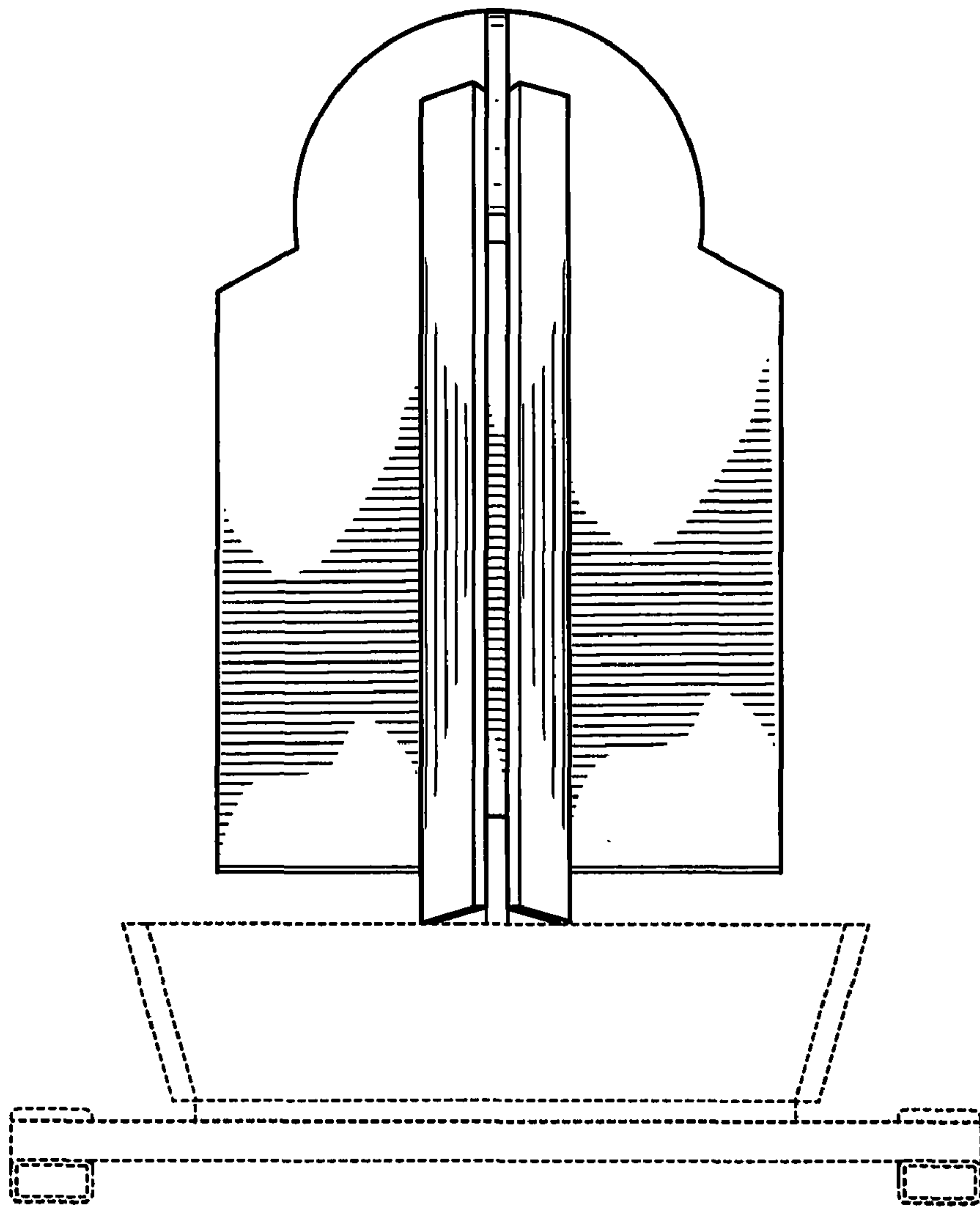


FIG. 6