



US00D629856S

(12) **United States Design Patent**
Parkinson

(10) **Patent No.:** **US D629,856 S**

(45) **Date of Patent:** **** Dec. 28, 2010**

(54) **PUTTER HEAD**

D583,887 S * 12/2008 Cameron D21/743
D590,462 S * 4/2009 Hettinger et al. D21/743

(76) **Inventor:** **Sam Parkinson**, 115 Rundle Street, Kent
Town, South Australia (AU) 5067

* cited by examiner

(**) **Term:** **14 Years**

Primary Examiner—Mitchell I Siegel
(74) *Attorney, Agent, or Firm*—Akerman Senterfitt

(21) **Appl. No.:** **29/351,514**

(22) **Filed:** **Dec. 7, 2009**

(57) **CLAIM**

(30) **Foreign Application Priority Data**

Sep. 21, 2009 (AU) 327644

The ornamental design of a putter head, as shown and described.

(51) **LOC (9) Cl.** **21-02**

(52) **U.S. Cl.** **D21/743**

(58) **Field of Classification Search** D21/736–746;
473/324–331, 251–256, 340–341
See application file for complete search history.

DESCRIPTION

FIG. 1 is a front perspective view of a putter head;
FIG. 2 is a rear perspective view thereof;
FIG. 3 is a top view thereof;
FIG. 4 is a rear view thereof;
FIG. 5 is a front view thereof;
FIG. 6 is a left side view thereof;
FIG. 7 is a right side view thereof; and,
FIG. 8 is a bottom view thereof.

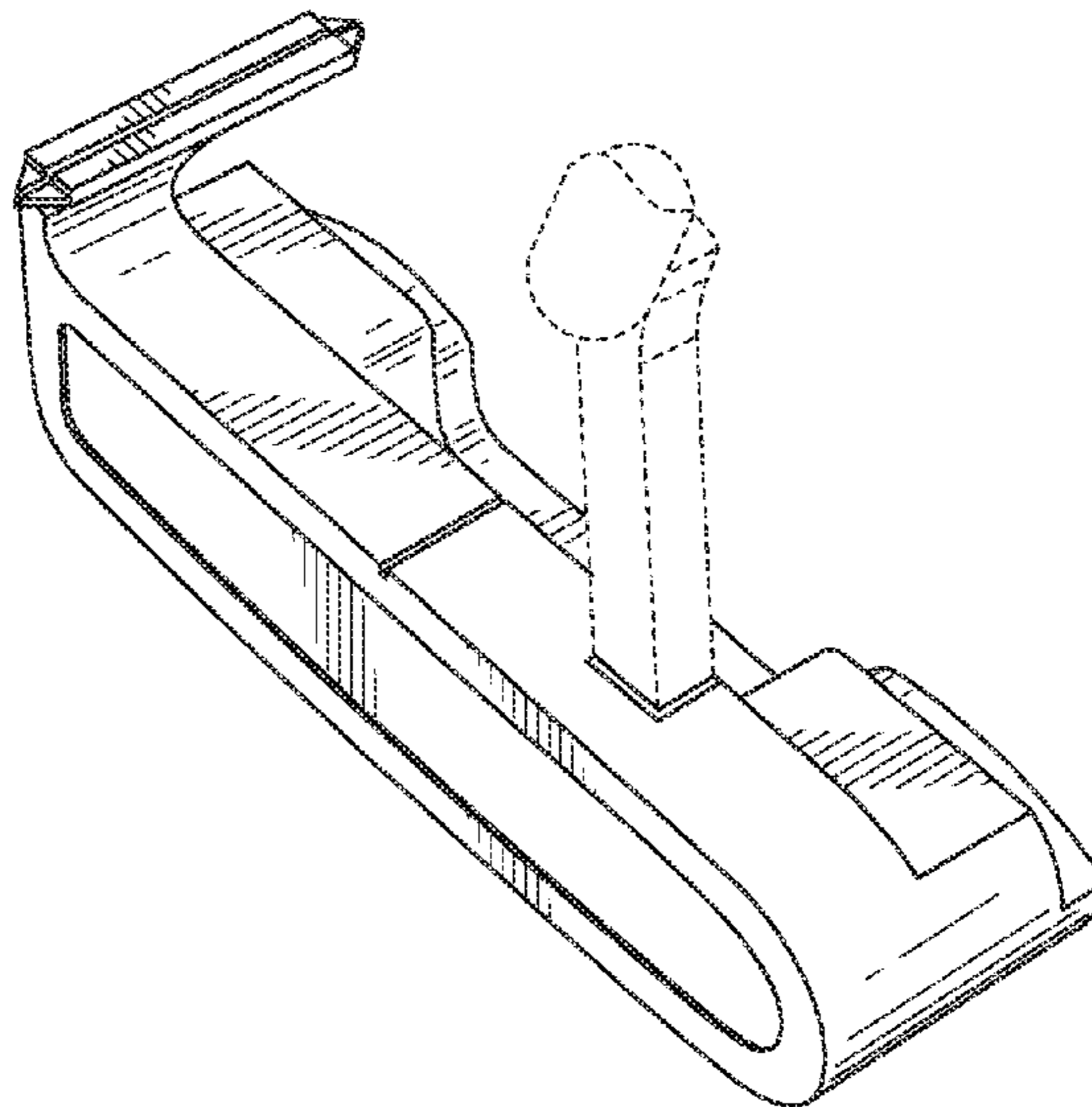
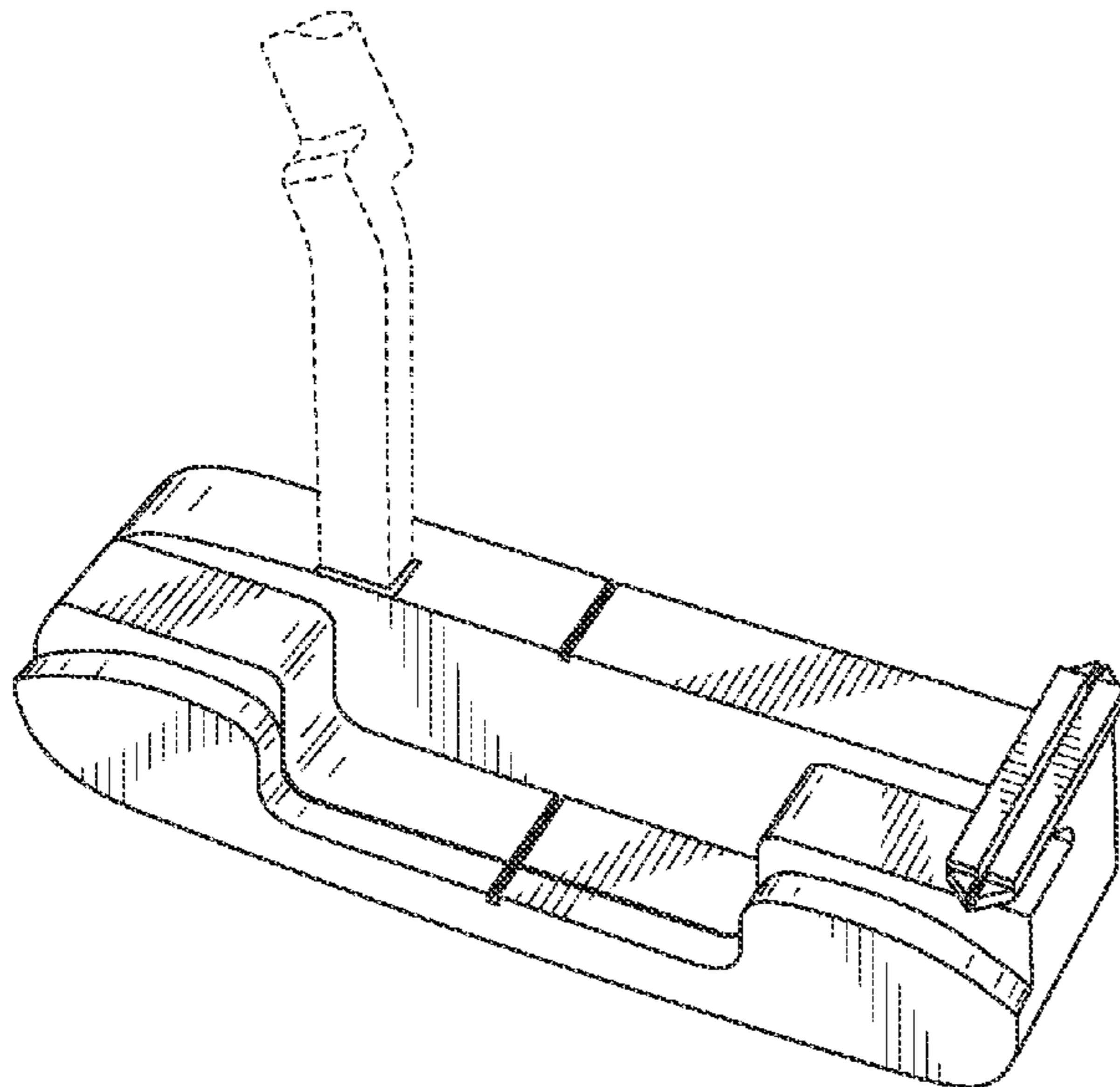
(56) **References Cited**

U.S. PATENT DOCUMENTS

D239,951 S * 5/1976 Carrier D21/742
D419,213 S * 1/2000 Pritchett D21/744
D443,906 S * 6/2001 Hettinger et al. D21/743
D498,276 S * 11/2004 Schweigert et al. D21/743
D548,294 S * 8/2007 Nguyen et al. D21/736
D552,196 S * 10/2007 Hueber D21/742
D562,921 S * 2/2008 Nguyen et al. D21/742

The broken line showing of the hosel is included for the purpose of illustrating and forms no part of the claimed design.

1 Claim, 6 Drawing Sheets



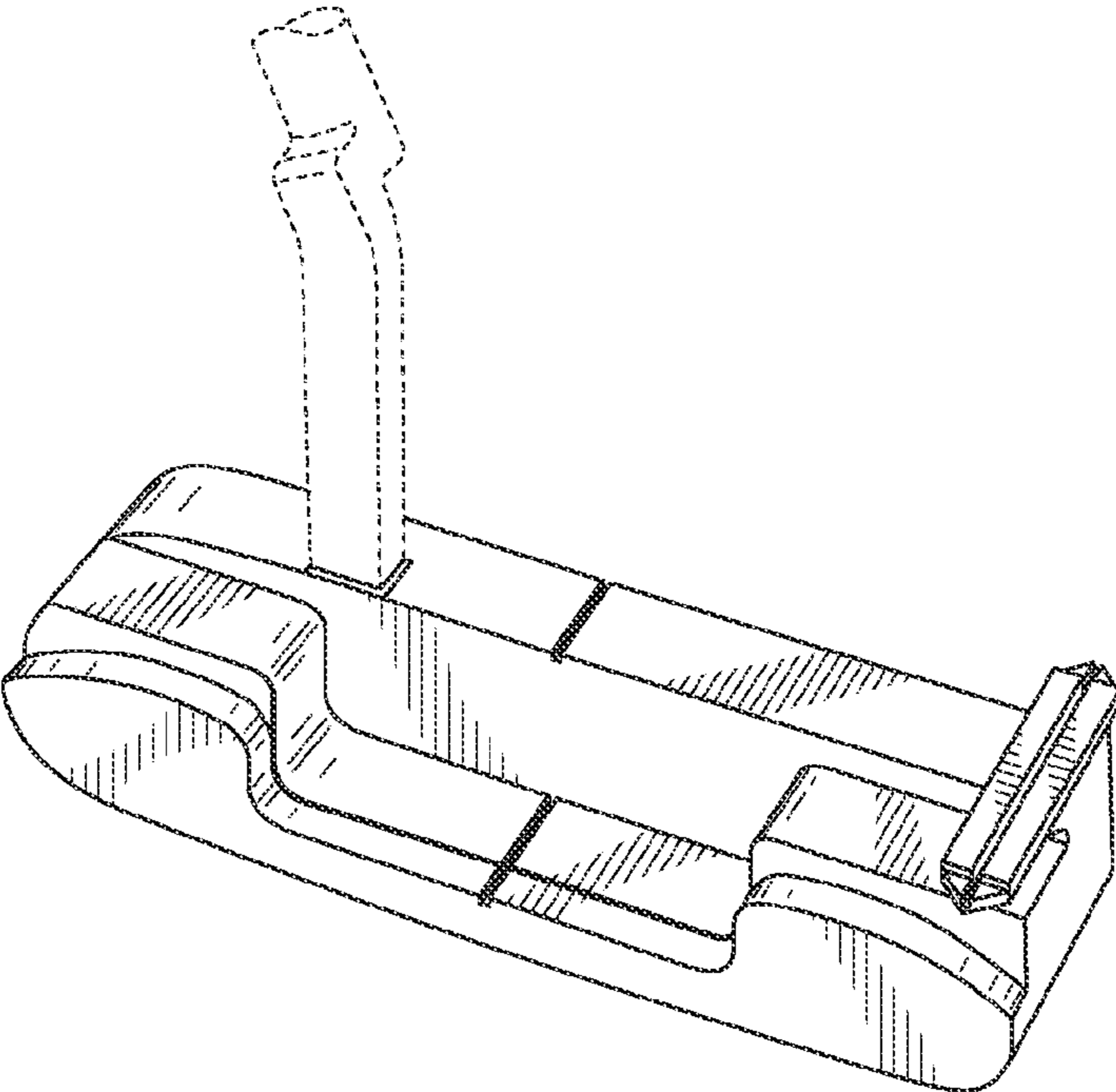


FIG. 1

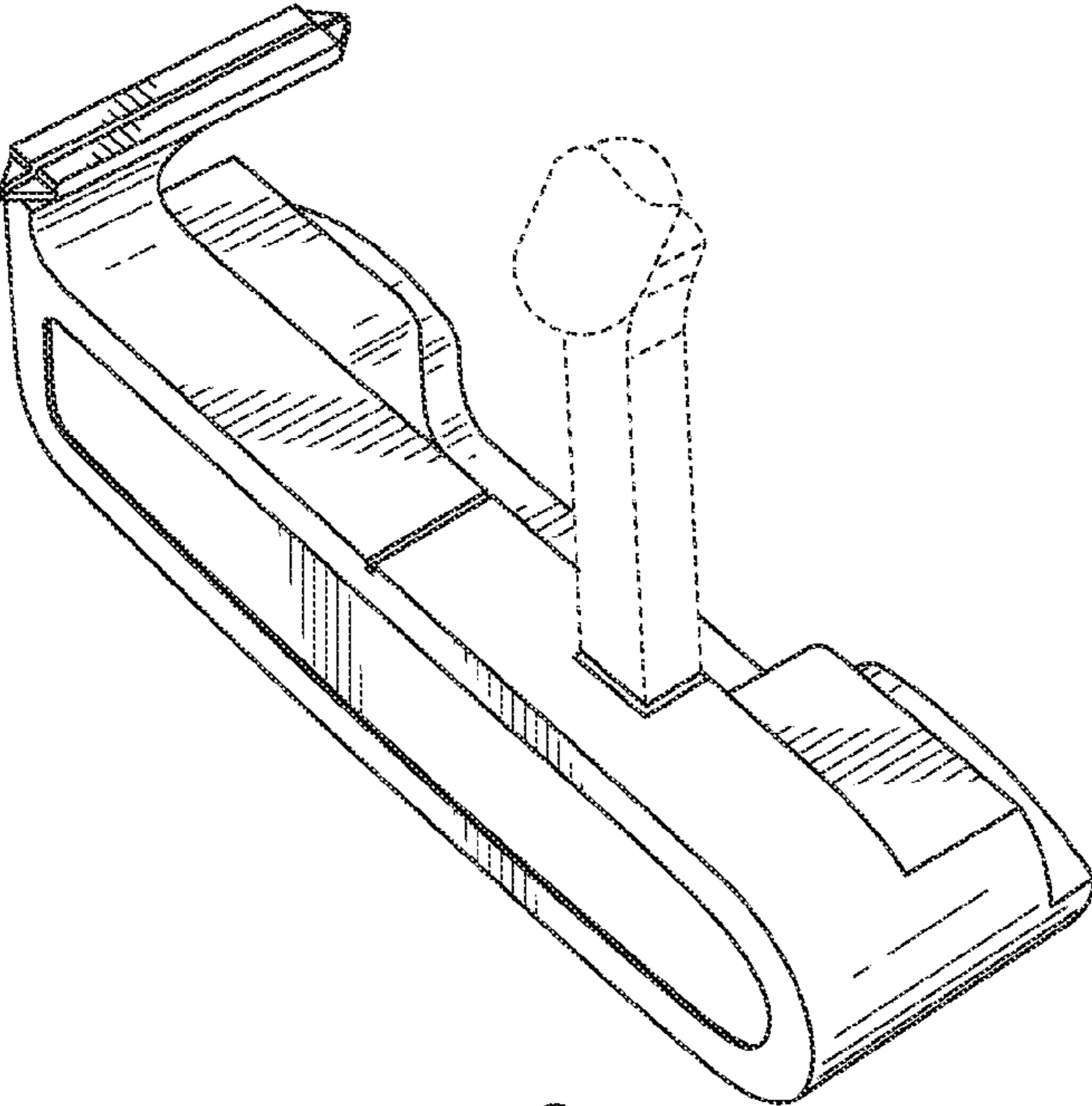


FIG. 2

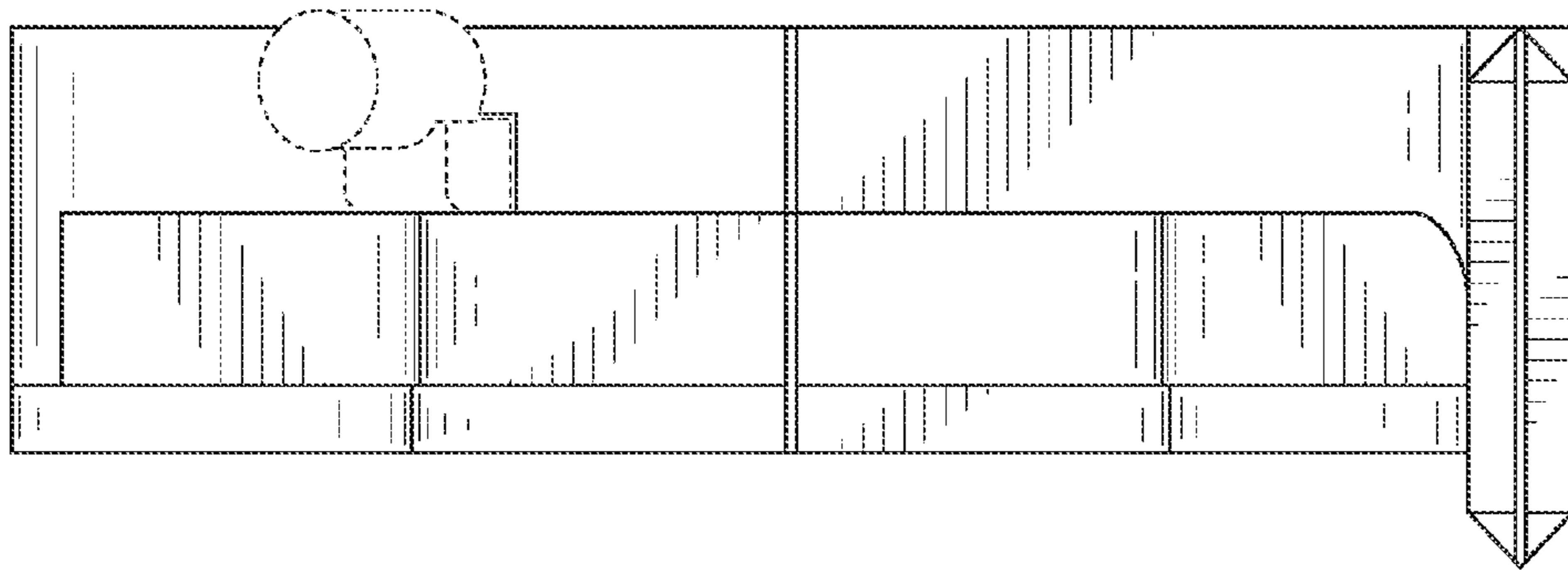


FIG. 3

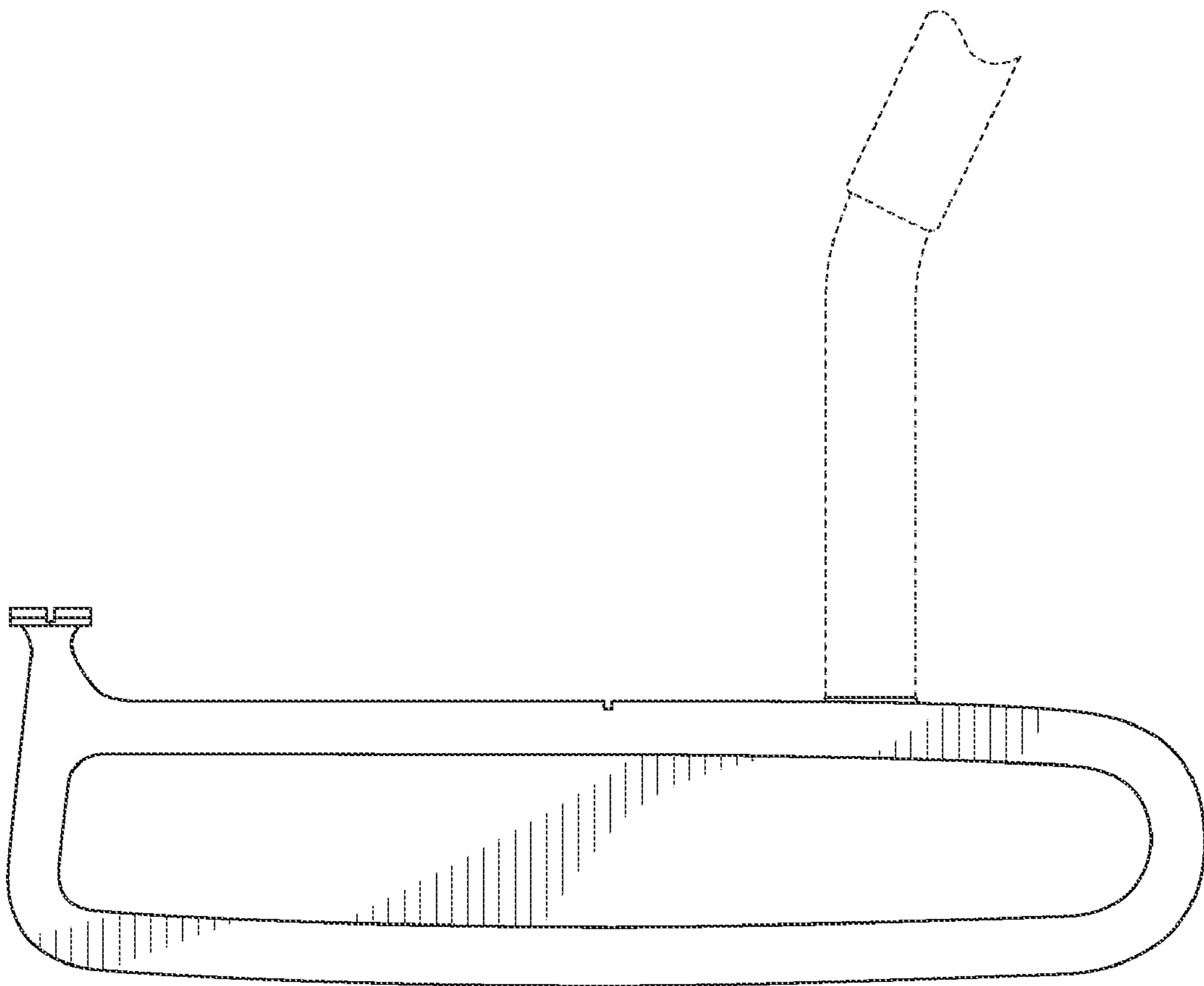


FIG. 4

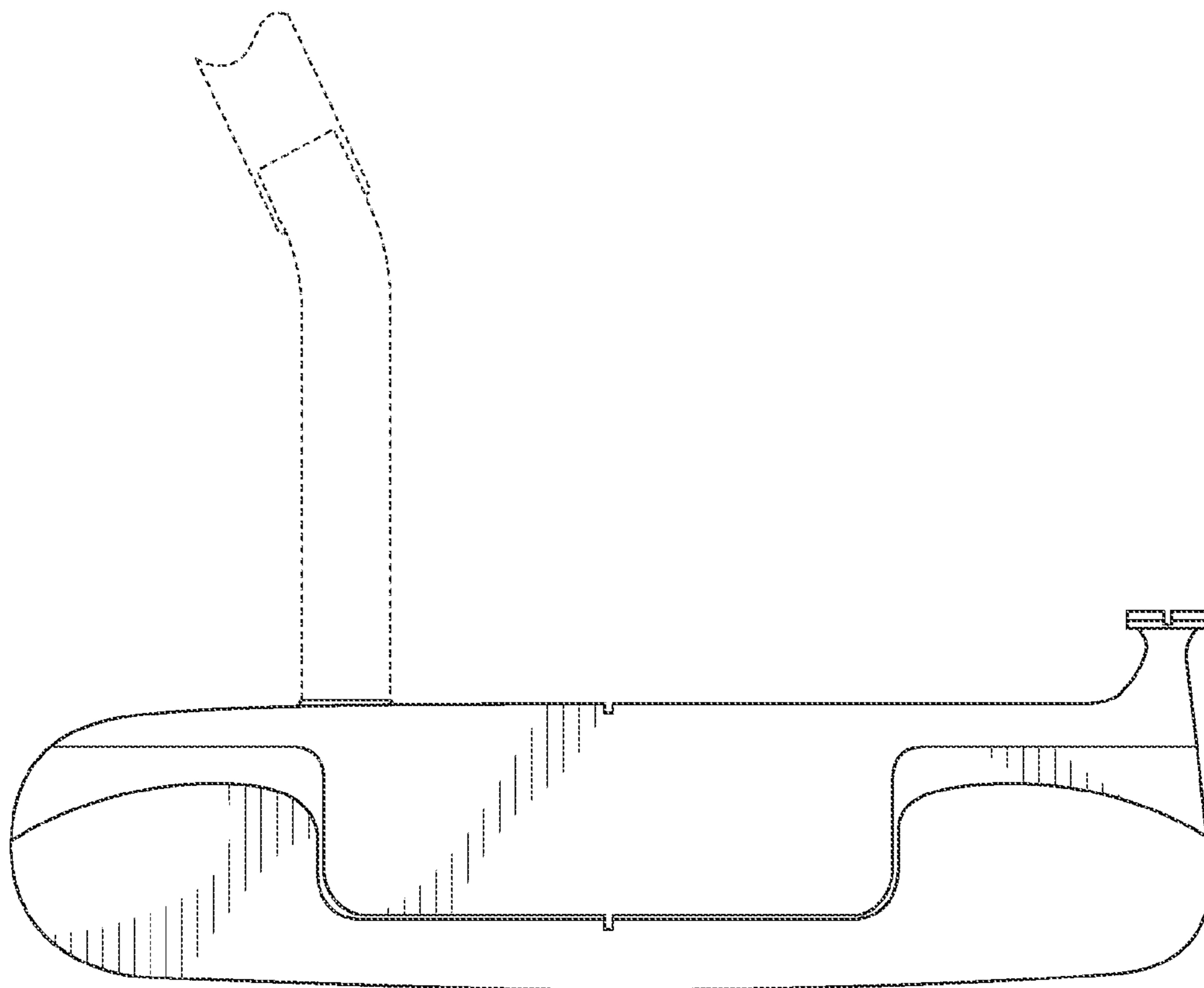


FIG. 5

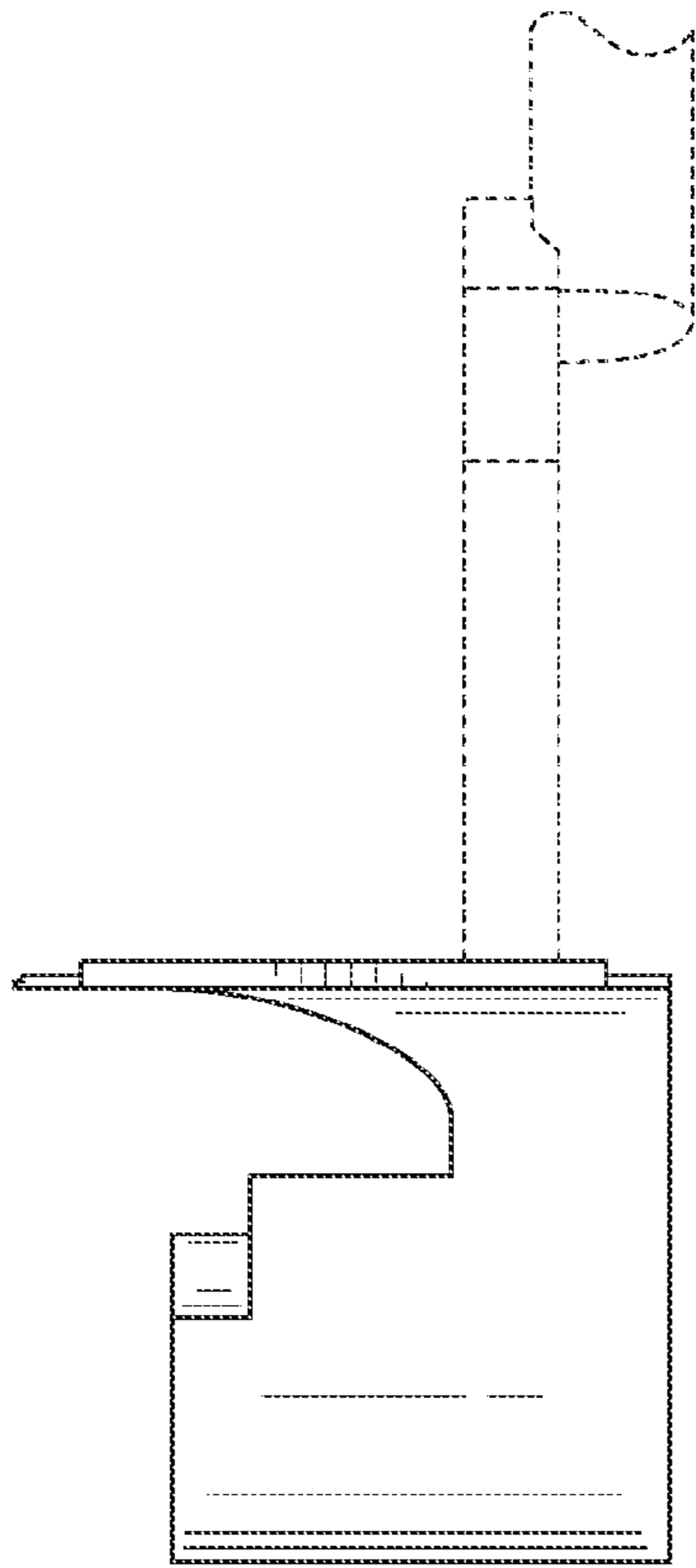


FIG. 6

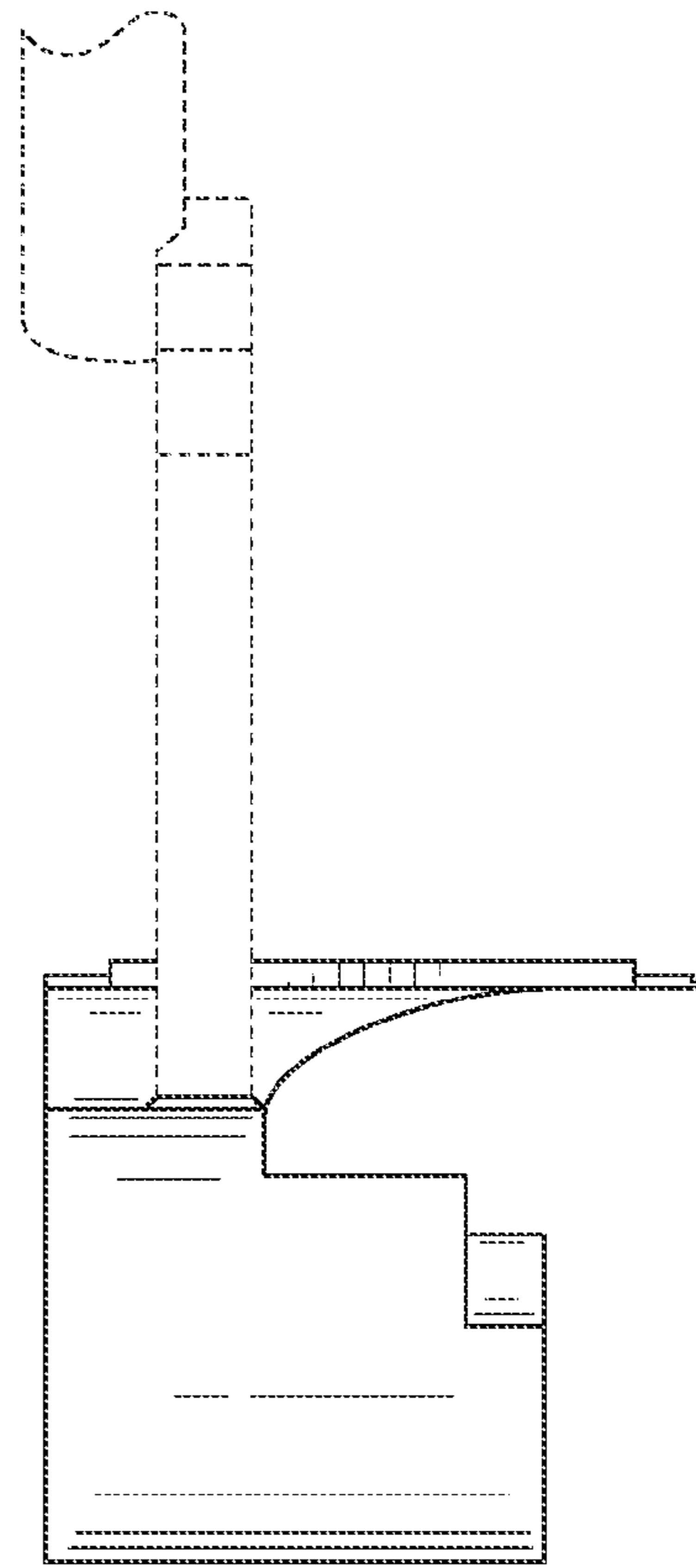


FIG. 7

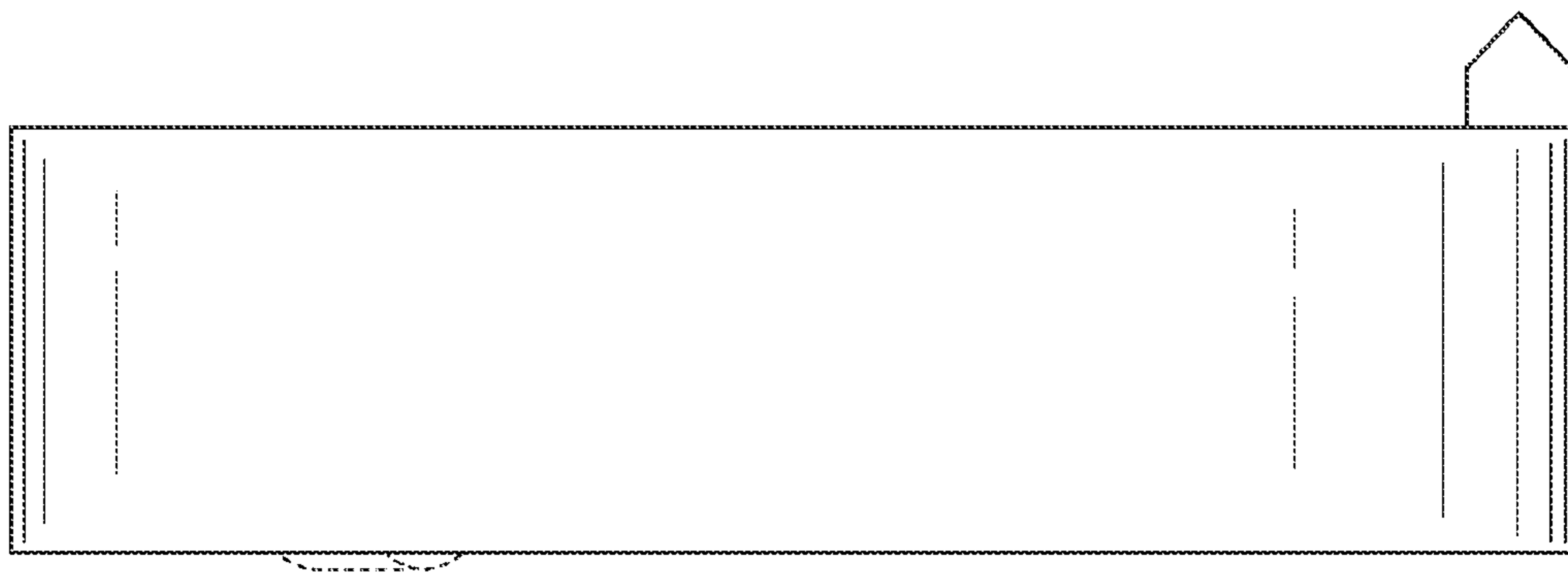


FIG. 8