



US00D629855S

(12) **United States Design Patent**  
**Vestuti et al.**

(10) **Patent No.:** **US D629,855 S**

(45) **Date of Patent:** **\*\* Dec. 28, 2010**

- (54) **LACROSSE STICK**
- (75) Inventors: **Ricardo Vestuti**, Providence, RI (US);  
**Chad Wittman**, Boston, MA (US)
- (73) Assignee: **Reebok International, Ltd.**, Canton,  
MA (US)
- (\*\*) Term: **14 Years**
- (21) Appl. No.: **29/344,655**
- (22) Filed: **Oct. 1, 2009**

- 4,399,992 A 8/1983 Molitor
- D273,601 S 4/1984 Lewis, Jr. et al.
- D286,666 S 11/1986 Brine, Jr.
- D286,803 S 11/1986 Brine, Jr.
- 4,657,260 A 4/1987 Brine, Jr.
- 4,739,994 A 4/1988 Lewis, Jr.
- D297,963 S 10/1988 Tucker et al.
- 4,861,042 A 8/1989 Trettin
- 5,007,652 A 4/1991 Tucker et al.
- 5,037,112 A 8/1991 Brine, III et al.
- 5,037,434 A 8/1991 Lane
- 5,048,843 A 9/1991 Dorfi et al.
- 5,054,790 A 10/1991 Brine, III et al.
- 5,067,726 A 11/1991 Brine, III et al.

- (51) **LOC (9) Cl.** ..... **21-02**
- (52) **U.S. Cl.** ..... **D21/724; D21/753**
- (58) **Field of Classification Search** ..... **D21/724,**  
**D21/753; 473/505-515**  
See application file for complete search history.

(Continued)

*Primary Examiner*—Mitchell I Siegel  
(74) *Attorney, Agent, or Firm*—Sterne, Kessler, Goldstein & Fox P.L.L.C.

(56) **References Cited**  
U.S. PATENT DOCUMENTS

- 1,459,389 A 6/1923 Brown
- 2,710,753 A 6/1955 Lockwood
- 3,473,806 A 10/1969 Patterson
- 3,507,495 A 4/1970 Tucker et al.
- 3,591,178 A 7/1971 Milligan
- 3,702,702 A 11/1972 Hoult
- 3,822,062 A 7/1974 Tucker et al.
- 3,905,088 A 9/1975 Tucker et al.
- 3,910,578 A 10/1975 Brine, Jr.
- 4,022,477 A 5/1977 Pool
- 4,034,984 A 7/1977 Crawford et al.
- 4,037,841 A 7/1977 Lewis, Jr.
- 4,049,273 A 9/1977 Pool
- 4,097,046 A 6/1978 Friant
- D248,679 S 7/1978 Rule
- 4,138,111 A 2/1979 Rule
- 4,153,251 A 5/1979 Pond
- D252,167 S 6/1979 Ahlenfeld et al.
- 4,206,918 A 6/1980 Lewis, Jr.
- 4,270,756 A 6/1981 Ahlenfeld et al.
- D263,249 S 3/1982 Rule
- D265,845 S 8/1982 Brine, Jr. et al.
- 4,351,528 A 9/1982 Duplin
- 4,358,117 A 11/1982 Deutsch

(57) **CLAIM**

The ornamental design for a lacrosse stick, as shown and described.

**DESCRIPTION**

FIG. 1 is a side view of a lacrosse stick showing our new design;

FIG. 2 is an opposite view thereof;

FIG. 3 is a side view of another embodiment of a lacrosse stick showing our new design;

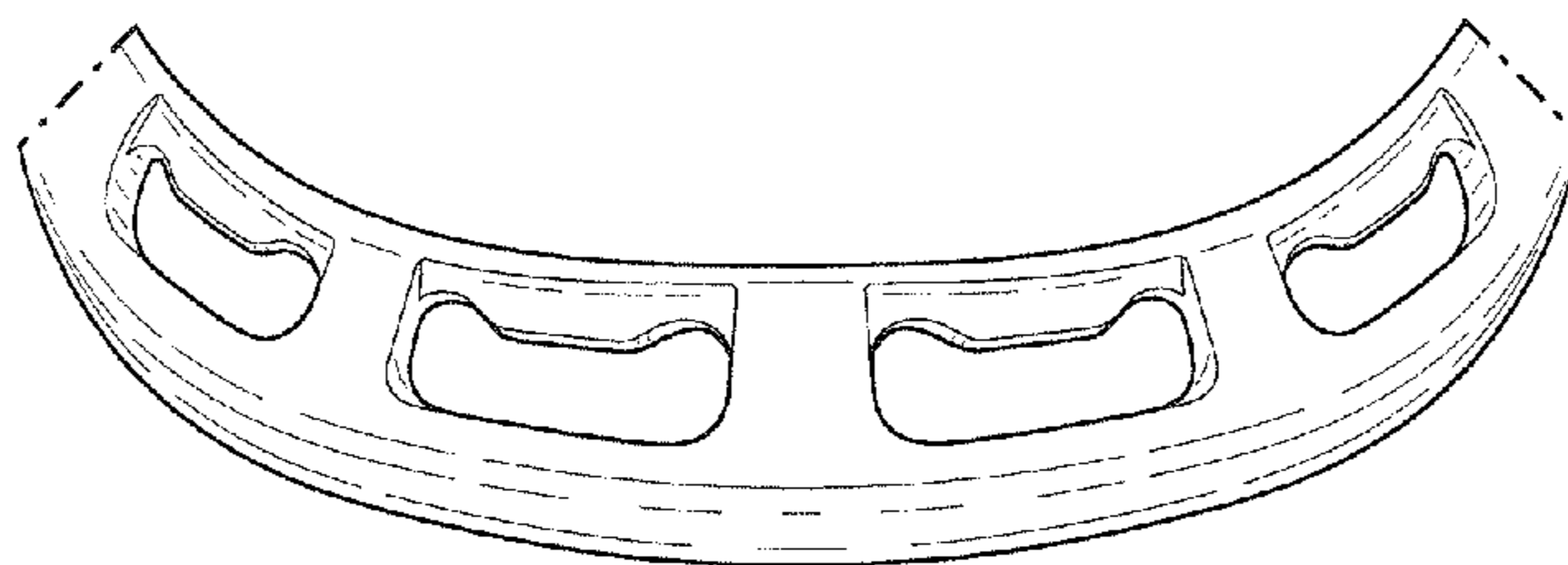
FIG. 4 is an opposite side view thereof;

FIG. 5 is a side view of another embodiment of a lacrosse stick showing our new design; and,

FIG. 6 an opposite side view thereof.

The broken lines in the Figures show environment for illustrative purposes only and form no part of the claimed design. The dot-dashed lines in the Figures show an indeterminate border around portions of the subject matter being claimed.

**1 Claim, 3 Drawing Sheets**



# US D629,855 S

U.S. PATENT DOCUMENTS						
			6,852,047	B2	2/2005	Tucker, Sr.
5,080,372	A	1/1992	6,872,157	B2	3/2005	Falone et al.
5,082,290	A	1/1992	6,902,501	B2	6/2005	Morrow et al.
D331,086	S	11/1992	6,910,976	B2	6/2005	Tucker, Sr.
5,178,397	A	1/1993	6,916,035	B2	7/2005	Houser et al.
5,269,532	A	12/1993	6,916,259	B2	7/2005	Kohler et al.
D350,173	S	8/1994	6,921,347	B1	7/2005	Morrow et al.
D350,174	S	* 8/1994	6,923,739	B2	8/2005	Gait et al.
5,373,616	A	12/1994	6,926,628	B2*	8/2005	Morrow et al. .... 473/513
5,478,647	A	12/1995	6,929,572	B2	8/2005	Morrow et al.
5,494,297	A	* 2/1996	6,949,037	B2	9/2005	Enos et al.
5,566,947	A	10/1996	6,962,541	B2*	11/2005	Mitzak ..... 473/513
5,568,925	A	10/1996	6,966,854	B1	11/2005	Gait
D376,183	S	* 12/1996	6,994,640	B2	2/2006	Morrow et al.
5,651,549	A	7/1997	7,008,339	B2	3/2006	Sutherland
5,651,744	A	7/1997	D519,176	S	* 4/2006	Tucker, Jr. .... D21/724
5,674,140	A	10/1997	7,022,035	B2	4/2006	Morrow et al.
5,685,791	A	11/1997	7,044,868	B2*	5/2006	Brine et al. .... 473/513
5,715,539	A	2/1998	D523,101	S	* 6/2006	Tucker, Jr. .... D21/724
5,935,026	A	8/1999	7,070,523	B1	7/2006	Gait
5,938,550	A	8/1999	7,094,167	B2	8/2006	Tucker, Sr.
5,957,791	A	9/1999	7,101,294	B2	9/2006	Tucker, Sr.
5,967,912	A	10/1999	7,104,904	B1	9/2006	Gait
6,066,056	A	5/2000	7,108,616	B2	9/2006	Morrow et al.
6,098,199	A	8/2000	7,131,919	B2	11/2006	Kohler et al.
6,186,912	B1	2/2001	7,150,691	B2	12/2006	Gait et al.
6,213,901	B1	4/2001	7,192,369	B2	3/2007	Morrow
D444,834	S	7/2001	7,226,374	B2*	6/2007	Morrow et al. .... 473/513
D445,472	S	7/2001	7,264,562	B2*	9/2007	Morrow et al. .... 473/513
6,283,879	B1	9/2001	RE40,182	E	* 3/2008	Morrow ..... 473/513
6,305,051	B1	10/2001	7,338,396	B2	3/2008	Gait
6,447,410	B2	9/2002	7,695,382	B2*	4/2010	Morrow et al. .... 473/513
RE37,894	E	10/2002	7,704,171	B2*	4/2010	Morrow et al. .... 473/513
6,500,079	B1	12/2002	7,736,252	B2*	6/2010	Tucker et al. .... 473/513
6,506,132	B1	1/2003	7,749,113	B2*	7/2010	Morrow et al. .... 473/513
6,511,386	B1	1/2003	7,766,773	B1*	8/2010	Gait ..... 473/513
6,520,875	B1	2/2003	2002/0091013	A1	7/2002	Bayne
6,533,686	B2	3/2003	2002/0170224	A1	11/2002	Lawless
6,561,932	B2	5/2003	2003/0017884	A1	1/2003	Masters et al.
RE38,216	E	8/2003	2003/0045380	A1	3/2003	Tucker, Sr.
6,641,492	B2	11/2003	2004/0116217	A1	6/2004	Morrow et al.
6,676,547	B1	1/2004	2004/0121864	A1	6/2004	Morrow et al.
6,723,134	B2	4/2004	2004/0147346	A1	7/2004	Casasanta, Jr.
6,752,730	B1	6/2004	2005/0043123	A1	2/2005	Harvey
6,755,757	B2	6/2004	2006/0019777	A1	1/2006	Rodgers et al.
D496,083	S	9/2004				

\* cited by examiner

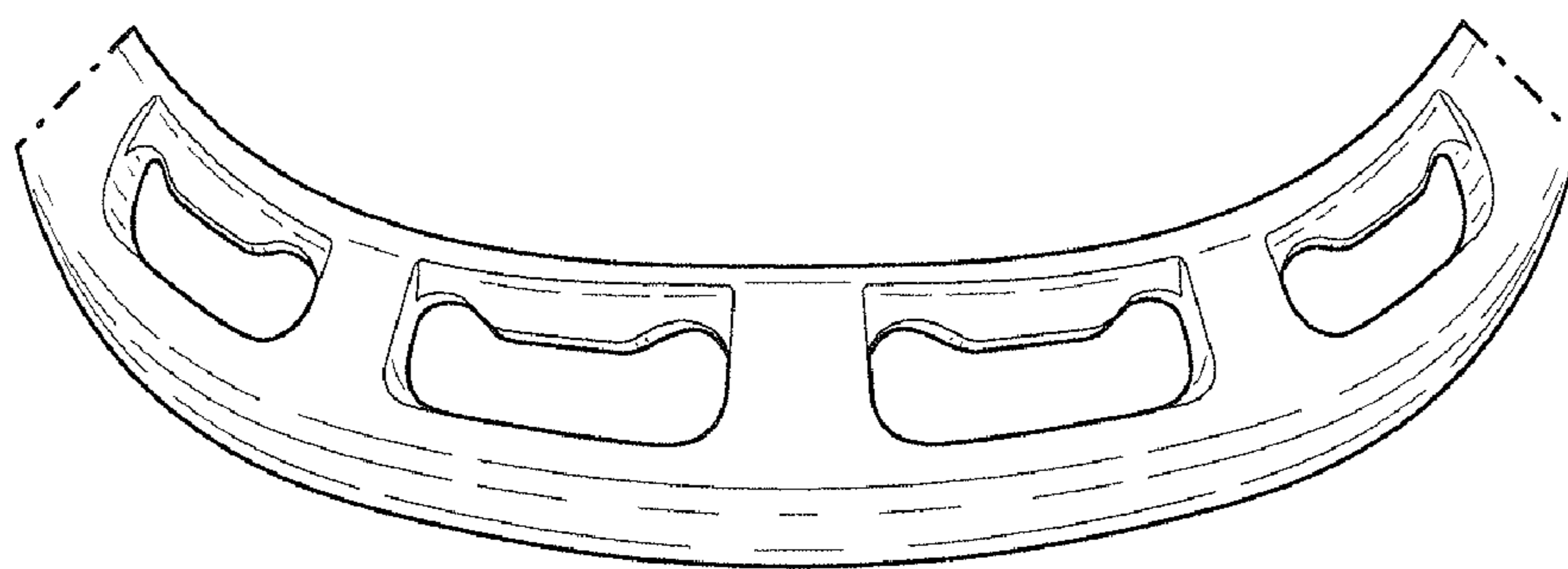


FIG. 1

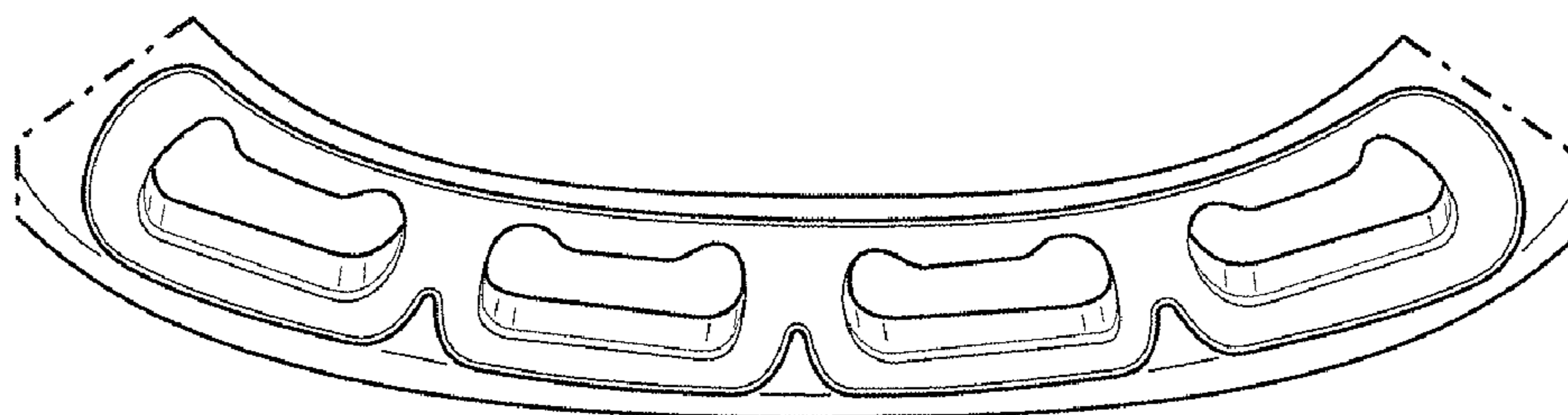
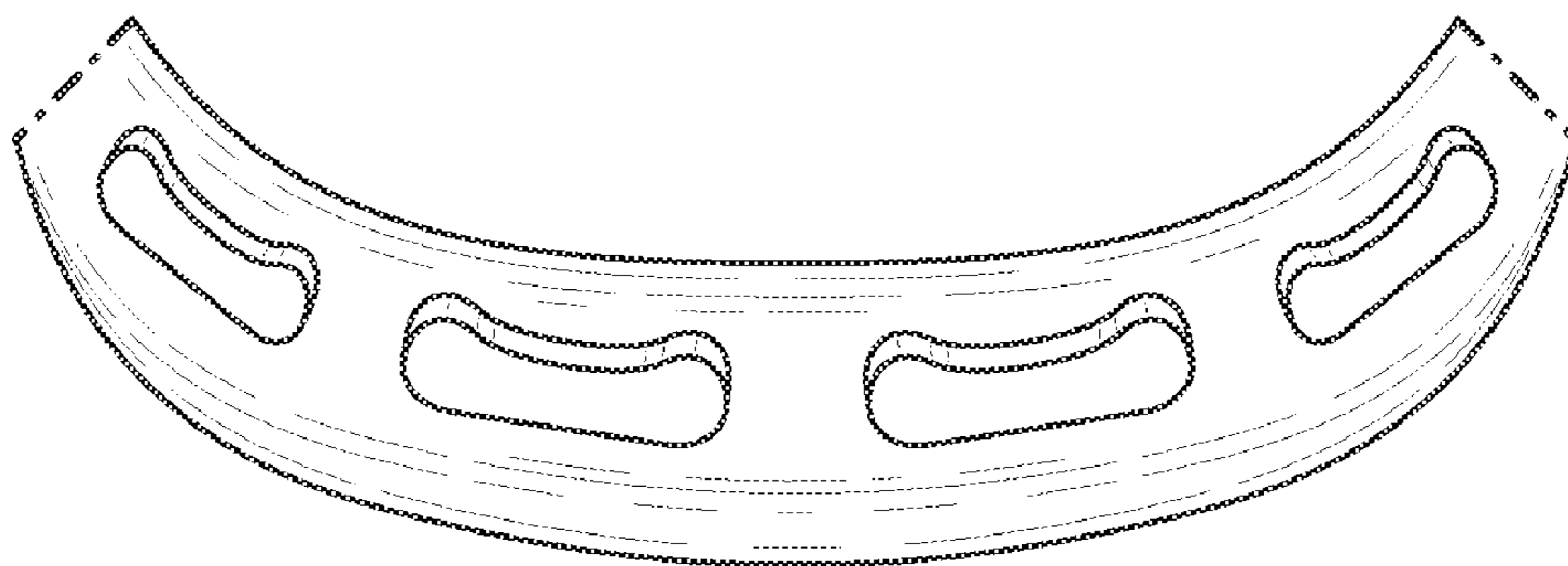
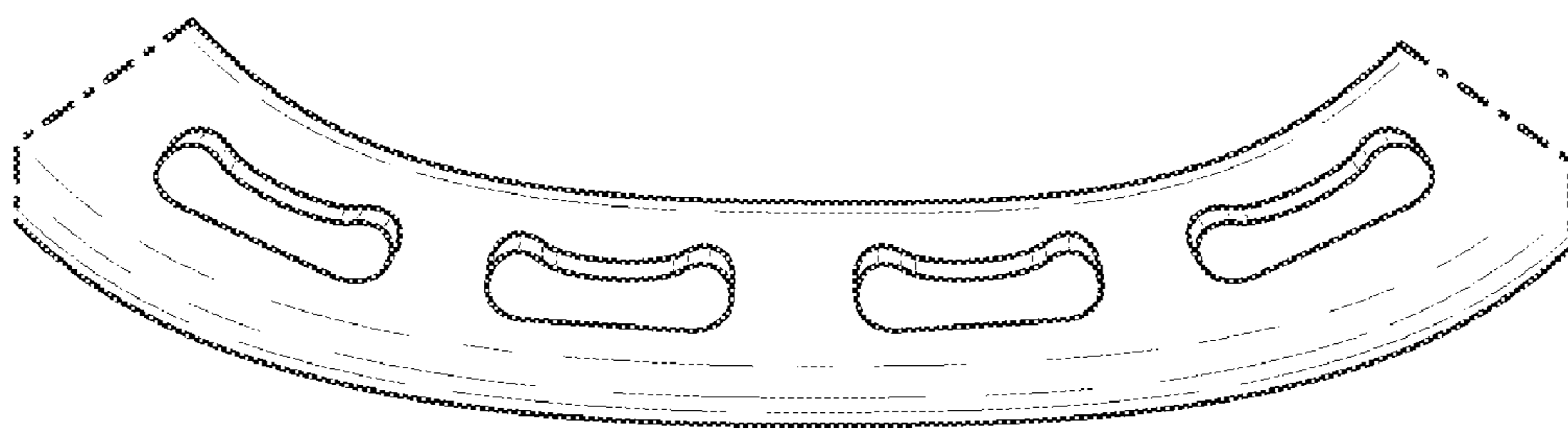


FIG. 2



*FIG. 3*



*FIG. 4*

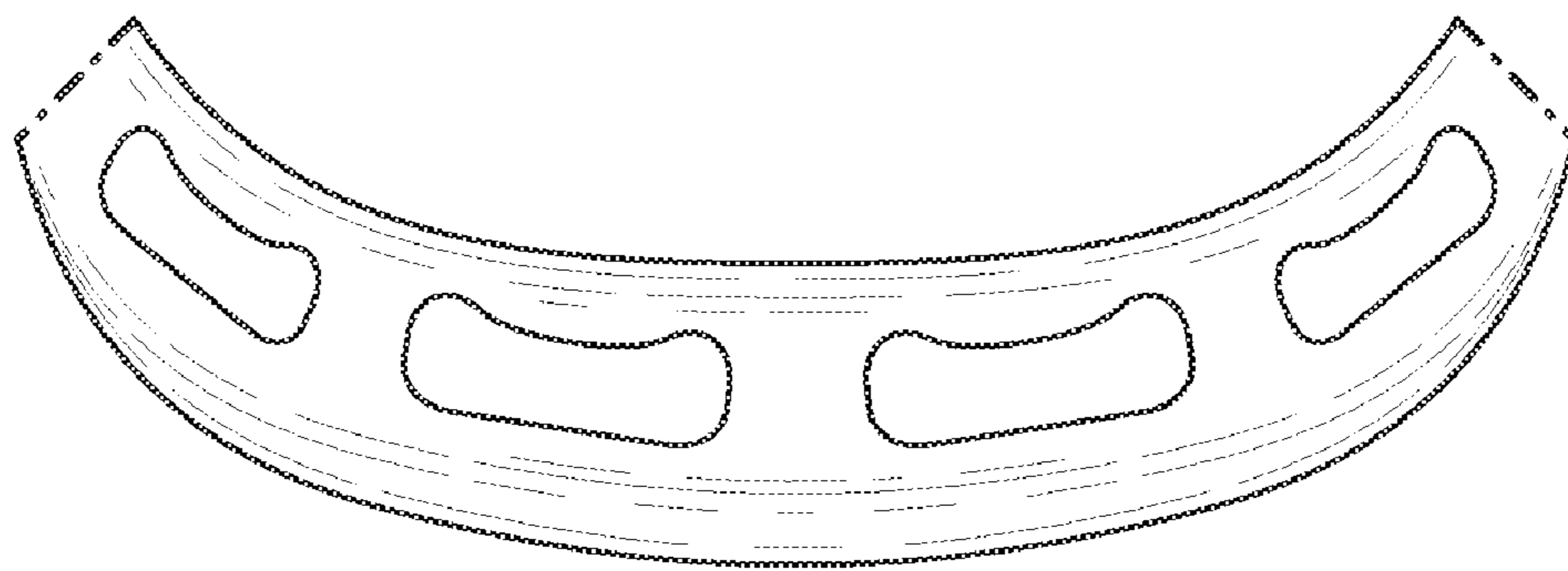


FIG. 5

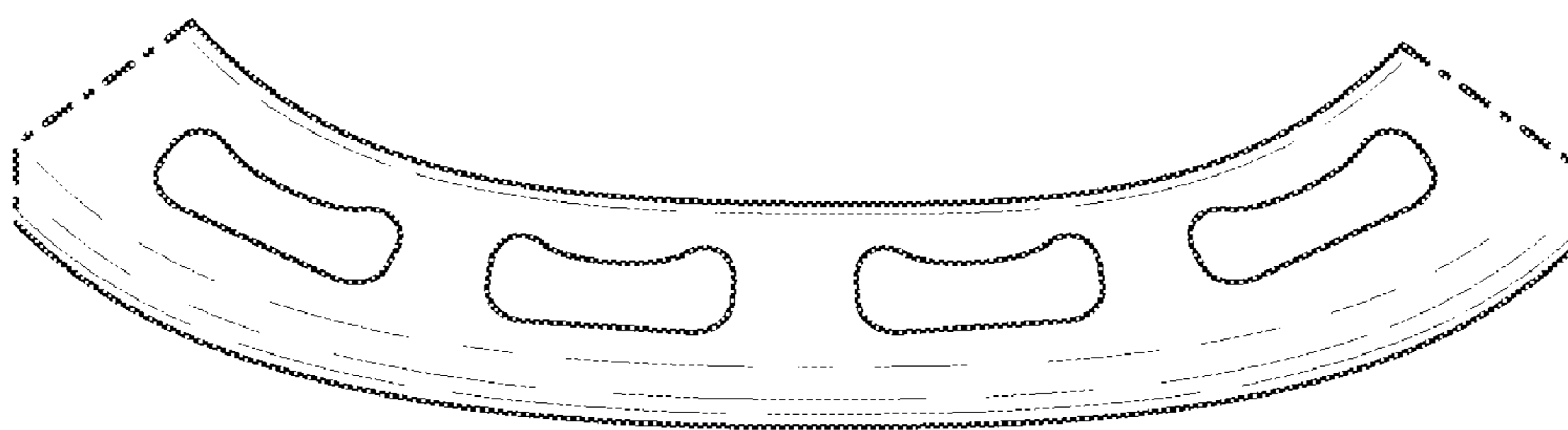


FIG. 6