



US00D629853S

(12) **United States Design Patent**
Carlesimo et al.

(10) **Patent No.:** **US D629,853 S**
(45) **Date of Patent:** **** Dec. 28, 2010**

(54) **PUSH-UP EXERCISE BLOCK**

D449,662 S * 10/2001 Monter Villar et al. D21/686

(76) Inventors: **Michael O. Carlesimo**, 207 Second St.,
Jackson, NJ (US) 08527; **Juan**
Fernandez, P.O. Box 312, Towaco, NJ
(US) 07082; **Paul McGrath**, P.O. Box
312, Towaco, NJ (US) 07082

(Continued)

FOREIGN PATENT DOCUMENTS

(**) Term: **14 Years**

KR 20-1982-0002416 Y1 11/1982

(21) Appl. No.: **29/357,117**

(22) Filed: **Mar. 8, 2010**

(Continued)

(51) **LOC (9) Cl.** **21-02**

Primary Examiner—Susan E Krakower

(52) **U.S. Cl.** **D21/671**; D21/686

(74) *Attorney, Agent, or Firm*—Gearhart Law, LLC.

(58) **Field of Classification Search** D21/662,
D21/670–671, 685–686, 688–689, 692, 694;
482/52, 79–80, 121–123, 129–130, 140–142,
482/146–147; D25/65; D6/349, 350, 484
See application file for complete search history.

(57) **CLAIM**

The ornamental design for a push-up exercise block, as shown
and described.

(56) **References Cited**

U.S. PATENT DOCUMENTS

DESCRIPTION

- 4,606,732 A 8/1986 Lyman
- D330,234 S * 10/1992 Saunders et al. D21/671
- 5,154,678 A 10/1992 Adamczyk et al.
- 5,213,554 A * 5/1993 Goldstein et al. 482/52
- D337,211 S * 7/1993 Bergkvist D6/349
- D337,362 S * 7/1993 Goldstein et al. D21/671
- 5,230,684 A 7/1993 Wallisch
- D339,179 S * 9/1993 Wilkinson D21/671
- 5,242,355 A 9/1993 Costa
- 5,248,286 A * 9/1993 Wilkinson et al. 482/52
- 5,318,489 A * 6/1994 Irwin 482/52
- D353,636 S * 12/1994 Le Roux D21/671
- 5,421,800 A 6/1995 Mullen
- 5,474,509 A 12/1995 Hodgdon
- D371,176 S * 6/1996 Furner D21/671
- 5,591,105 A 1/1997 Dalebout et al.
- 5,632,707 A 5/1997 Daniel
- 5,645,511 A * 7/1997 Le Roux et al. 482/52
- 5,651,753 A 7/1997 Wilkinson
- 5,772,559 A 6/1998 Sithole
- D408,555 S * 4/1999 Albrecht D25/65

This Application claims priority to a prior U.S. application
No. 12/383,646, filed: Mar. 27, 2009, which are fully incor-
porated herein by reference.

FIG. 1 is a perspective view of the push-up exercise block
showing our new design.

FIG. 2 is a perspective view of the push-up exercise block
shown in an alternate stacked configuration with other blocks.

FIG. 3 is a top view of the push-up exercise block;

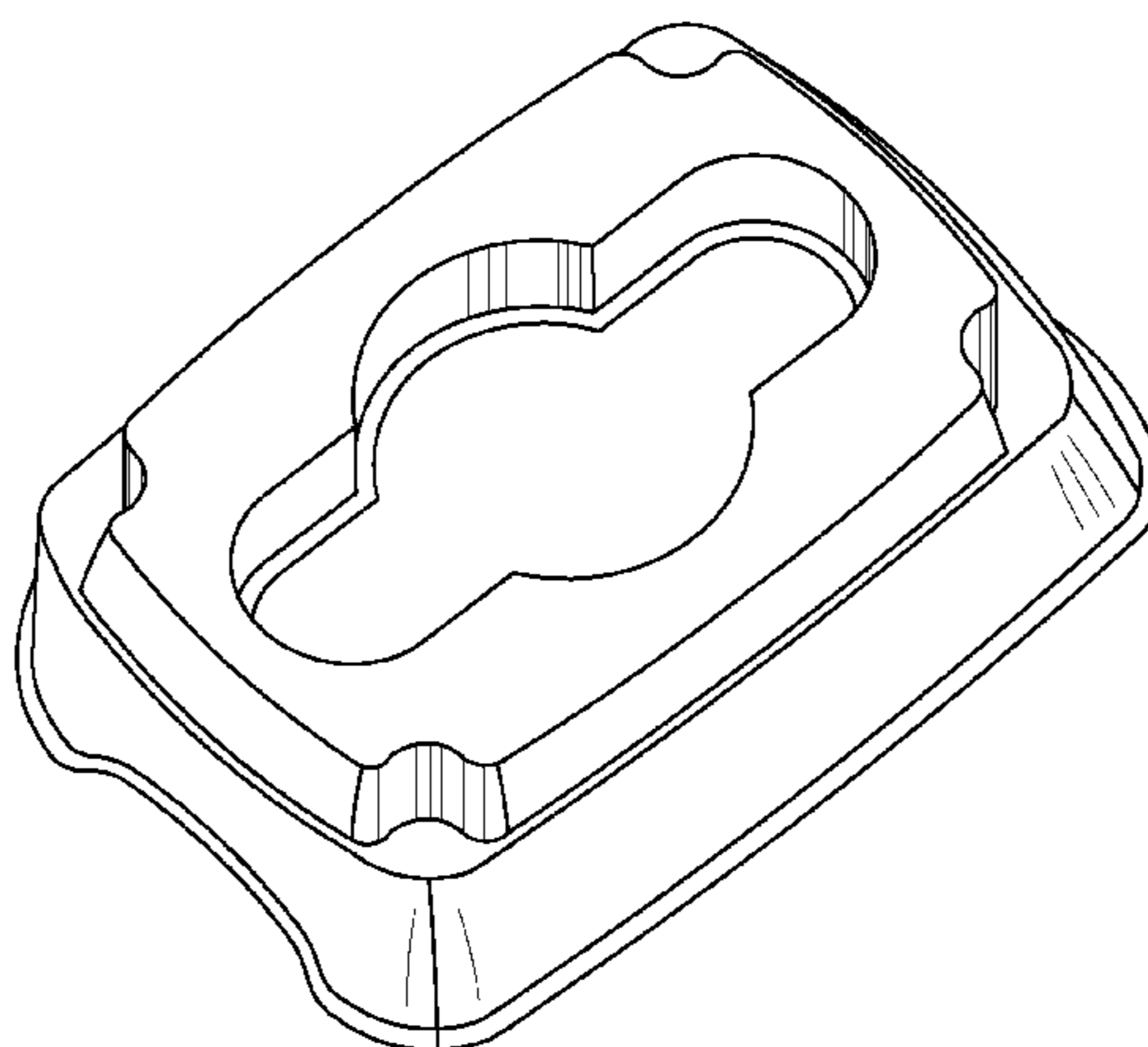
FIG. 4 is a bottom view of the push-up exercise block;

FIG. 5 is a side view of the push-up exercise block; and,

FIG. 6 is a front view of the push-up exercise block.

The broken lines illustrate environmental structure which
forms no part of the claimed design.

1 Claim, 5 Drawing Sheets



US D629,853 S

Page 2

U.S. PATENT DOCUMENTS

6,402,664 B1 6/2002 Marston
6,471,623 B1 10/2002 Lin
D519,172 S * 4/2006 Penat et al. D21/671
7,108,643 B2 9/2006 Wilson
7,144,351 B2 12/2006 Kastelic
7,156,791 B2 1/2007 Edwards
7,318,794 B2 1/2008 Davies
D582,168 S * 12/2008 Sandel D6/349
7,468,025 B2 12/2008 Hauser
D596,247 S * 7/2009 Wu D21/694

D596,415 S * 7/2009 Wold D6/349
2006/0089241 A1 4/2006 Klein
2007/0161476 A1 7/2007 Davies
2007/0219076 A1 9/2007 Axelrod

FOREIGN PATENT DOCUMENTS

KR 20-1992-0003999 Y1 6/1992
WO WO 99/43574 9/1999
WO PCT/US2009/001894 10/2009

* cited by examiner

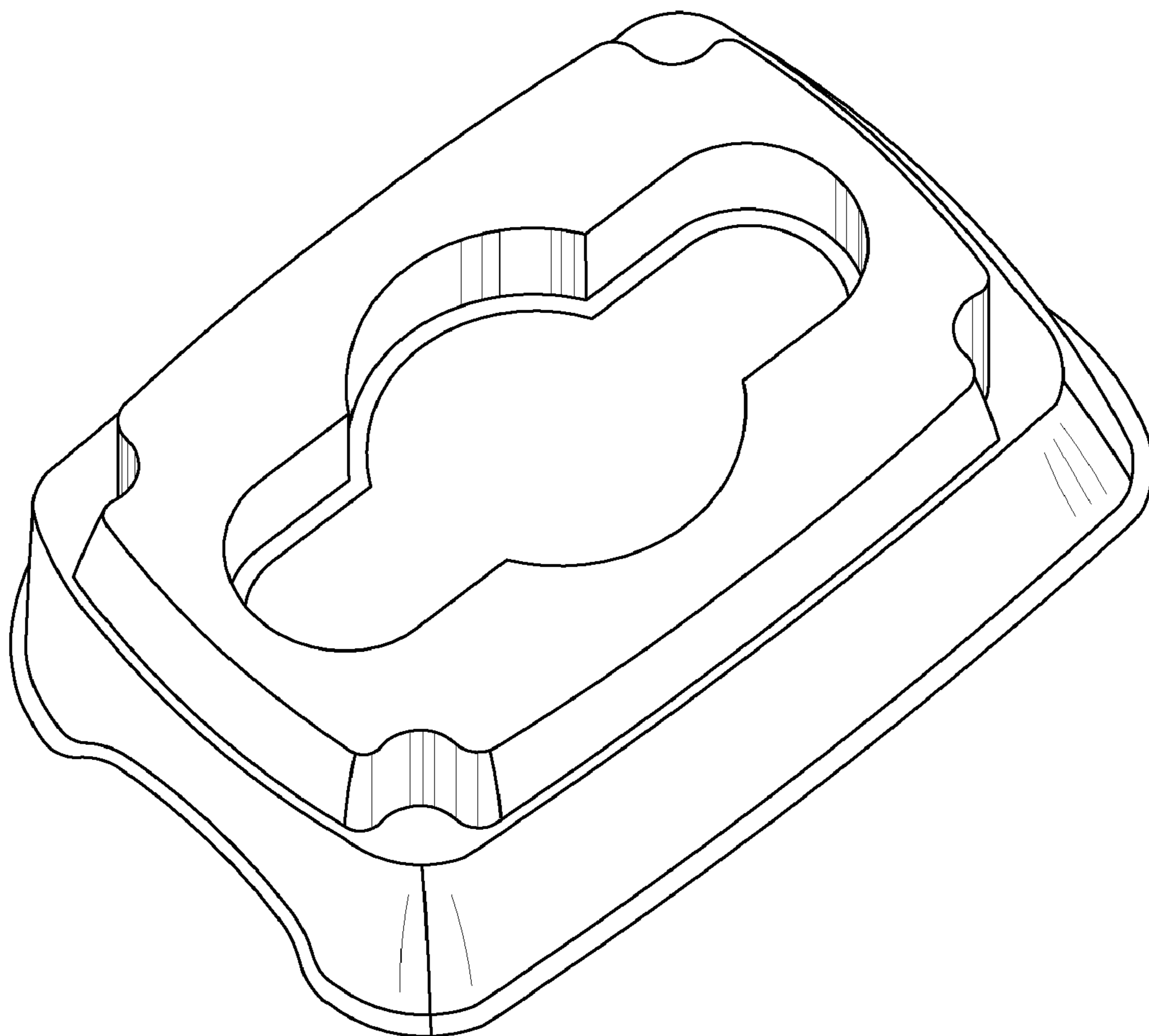


FIG. 1

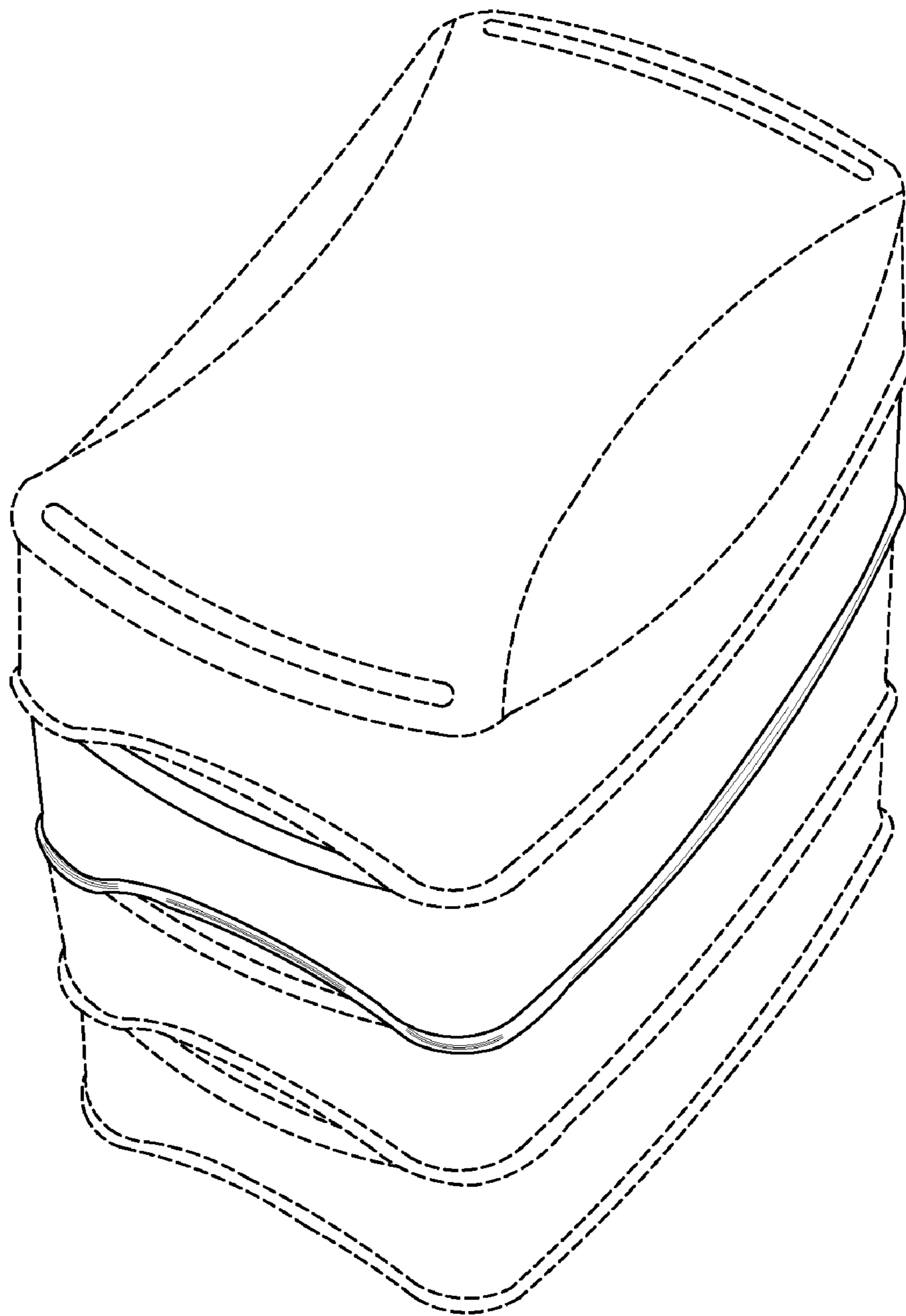


FIG. 2

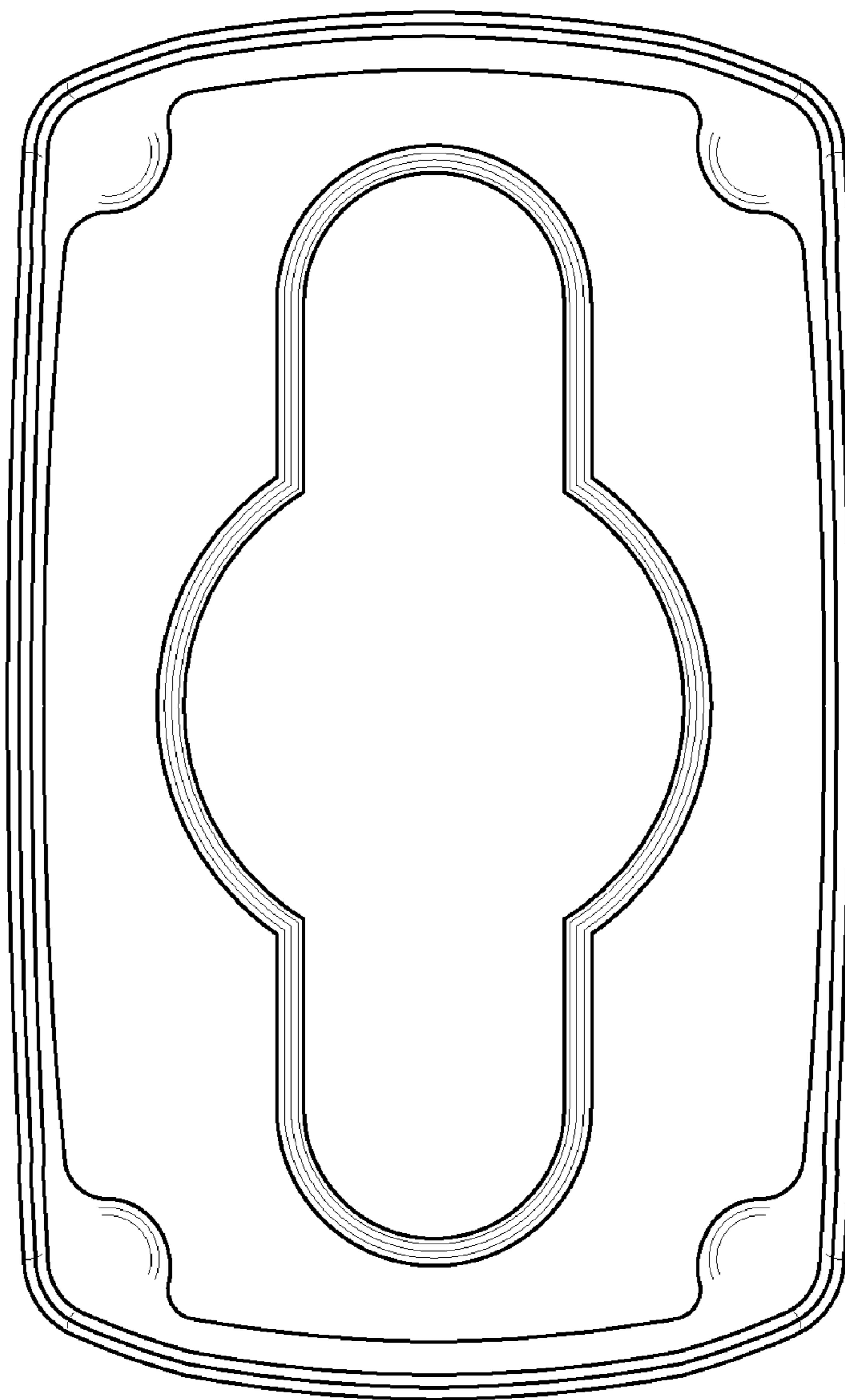


FIG. 3

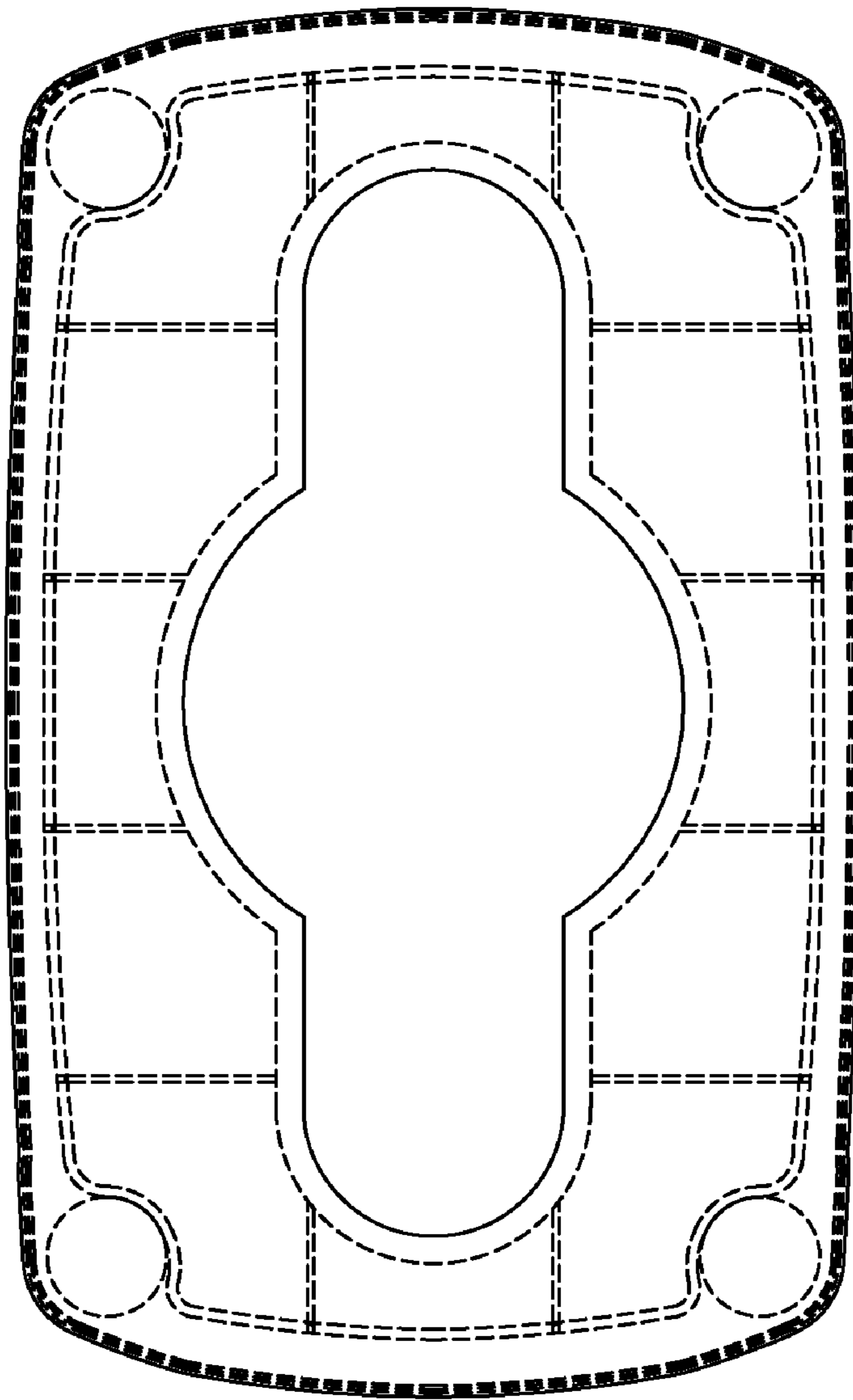


FIG. 4

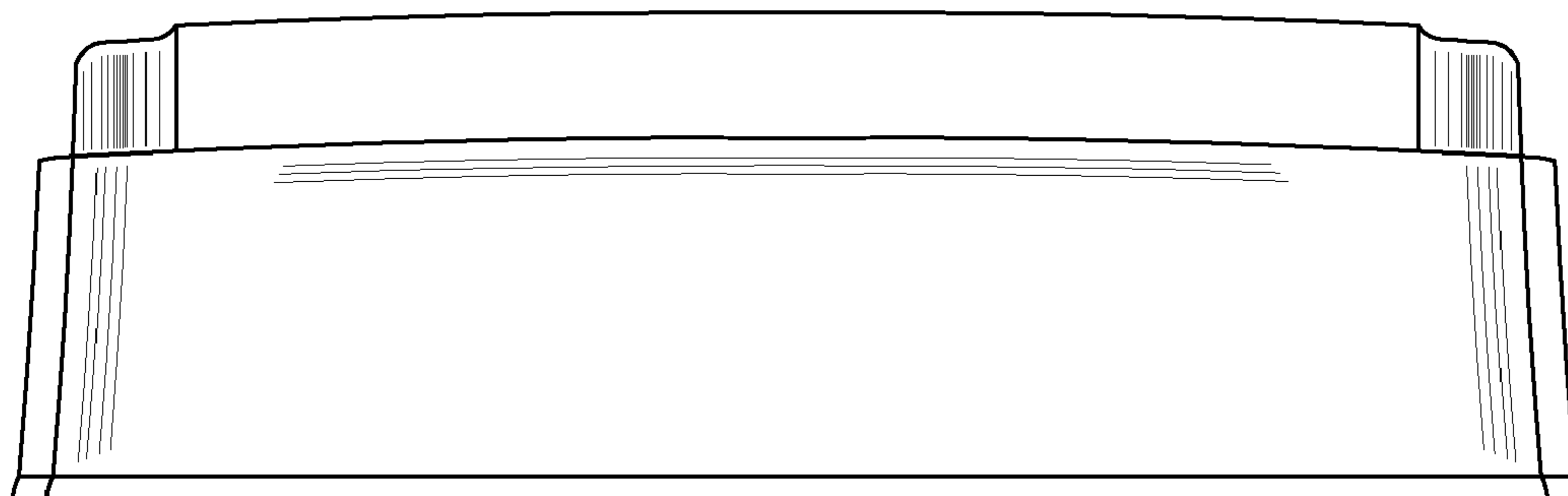


FIG. 5

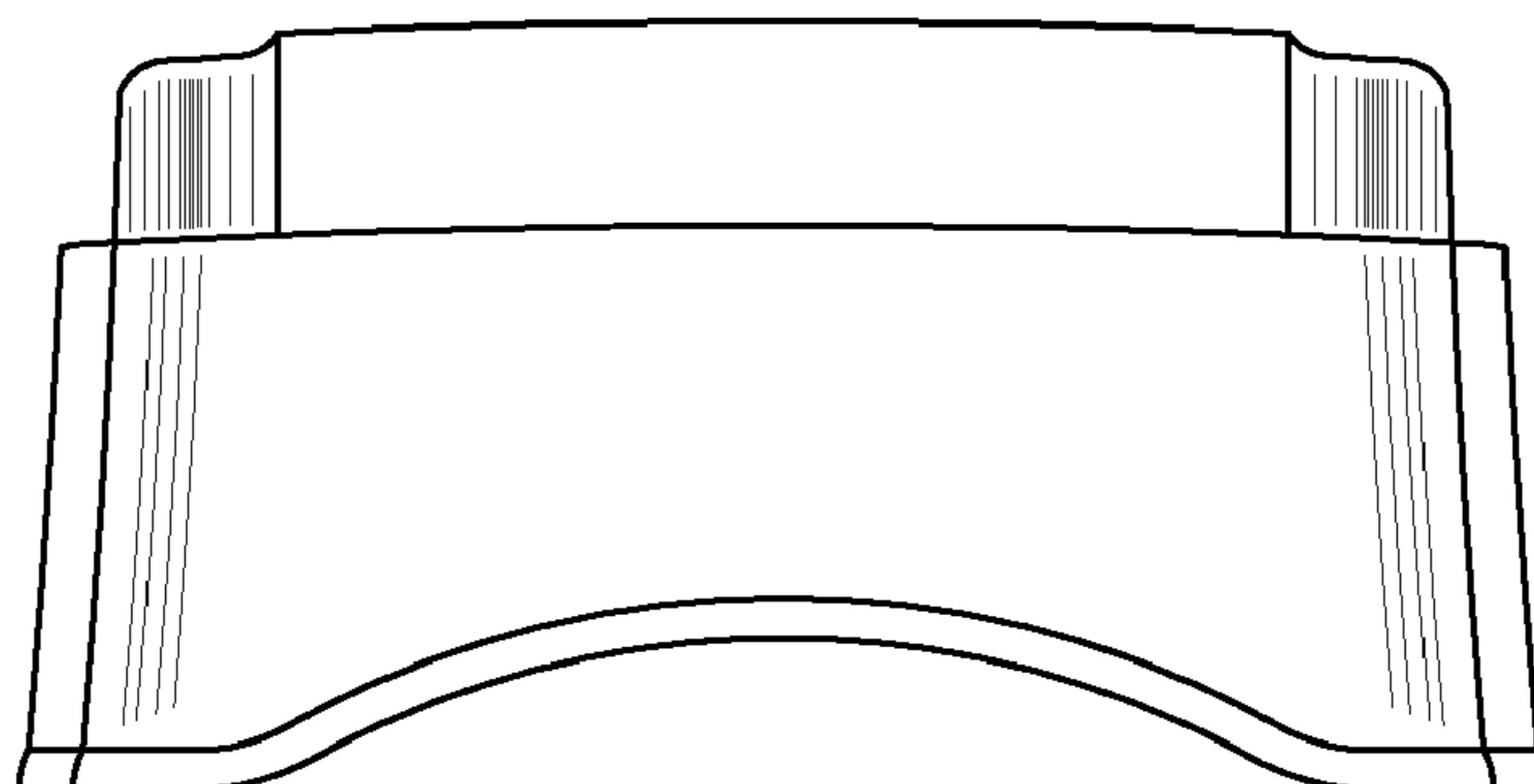


FIG. 6