



US00D629852S

(12) **United States Design Patent**
Repac

(10) **Patent No.:** **US D629,852 S**
(45) **Date of Patent:** **** Dec. 28, 2010**

(54) **APPARATUS FOR DEVELOPING MUSCLES**

(57) **CLAIM**

(76) **Inventor:** **Cedomir Repac**, Fliederweg 24,
Brechen (DE) D-65611

The ornamental design for an apparatus for developing muscles, as shown and described.

(**) **Term:** **14 Years**

(21) **Appl. No.:** **29/344,629**

DESCRIPTION

(22) **Filed:** **Oct. 1, 2009**

(30) **Foreign Application Priority Data**

Apr. 7, 2009 (EM) 001 118 772-0001

(51) **LOC (9) Cl.** **21-02**

(52) **U.S. Cl.** **D21/662**

(58) **Field of Classification Search** D21/662,
D21/670-671, 685-686, 688-689, 692, 694;
482/52, 79-80, 121-123, 129-130, 140,
482/142, 146-147

See application file for complete search history.

FIG. 1 is a left front perspective view of a first embodiment of an apparatus for developing muscles showing the invention; FIG. 2 is a right rear perspective view of the apparatus of FIG. 1;

FIG. 3 is a front elevational view the apparatus of FIG. 1;

FIG. 4 is a top plan view of the apparatus of FIG. 1;

FIG. 5 is a rear elevational view of the apparatus of FIG. 1;

FIG. 6 right side elevational view of the apparatus of FIG. 1, wherein the left side elevational view is a mirror image thereof;

FIG. 7 is a bottom plan view of the apparatus of FIG. 1;

FIG. 8 is a left front perspective view of a second embodiment of an apparatus for development muscles showing the invention;

FIG. 9 is a right rear perspective view of the apparatus of FIG. 8;

FIG. 10 is a front elevational view of the apparatus of FIG. 8;

FIG. 11 is a top plan view of the apparatus of FIG. 8;

FIG. 12 is a rear elevational view of the apparatus of FIG. 8;

FIG. 13 is a right side elevational view of the apparatus of FIG. 8, wherein the left side elevational view is a mirror image thereof; and,

FIG. 14 is a bottom plan view of the apparatus of FIG. 8.

The broken lines illustrate environmental elements and form no part of the claimed design.

(56) **References Cited**

U.S. PATENT DOCUMENTS

2,593,982 A * 4/1952 Cash 601/122
4,946,161 A 8/1990 Cantieni-Habegger et al.
5,267,923 A * 12/1993 Piaget et al. 482/53
5,360,385 A 11/1994 Wang
D364,902 S * 12/1995 Fleming D21/686

(Continued)

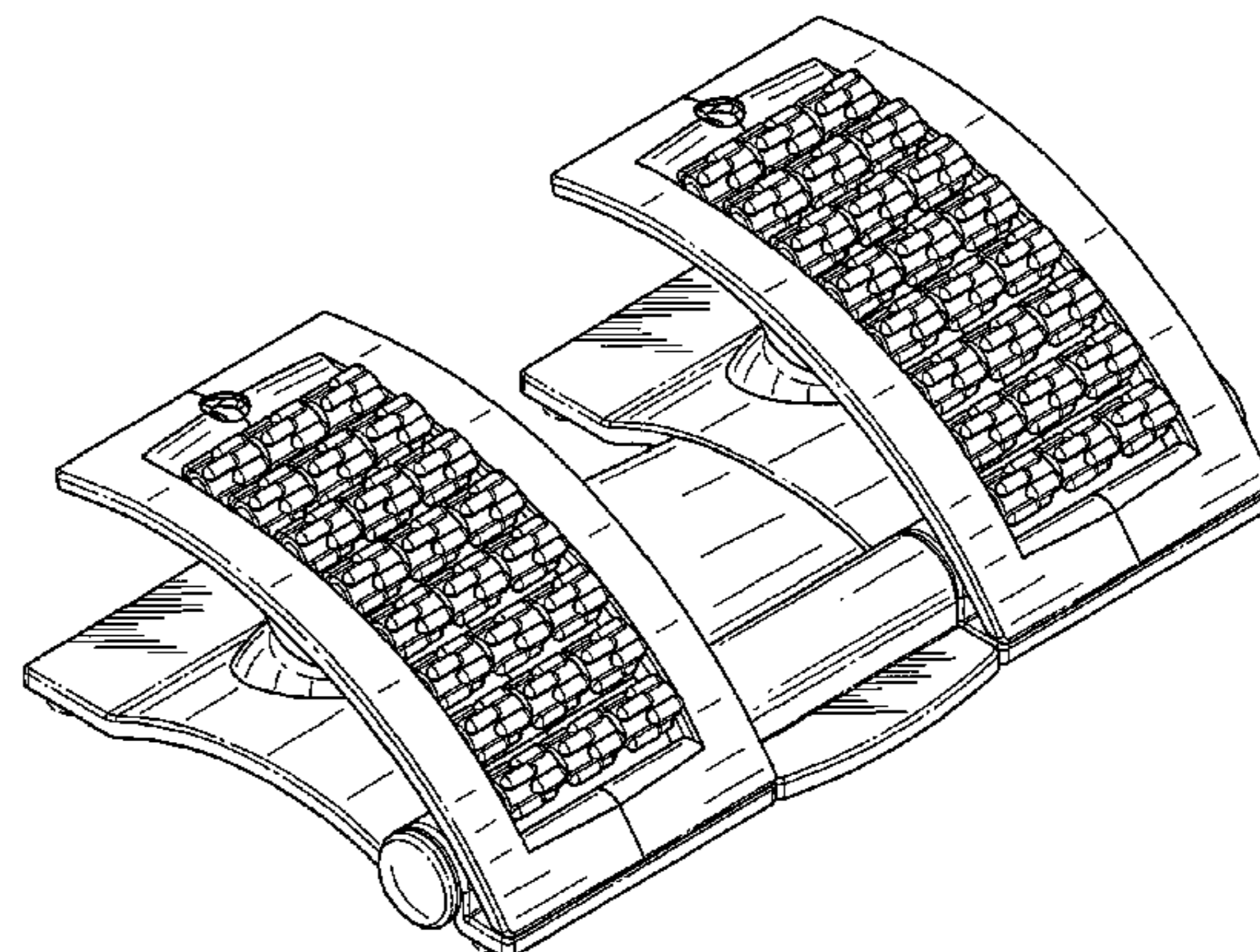
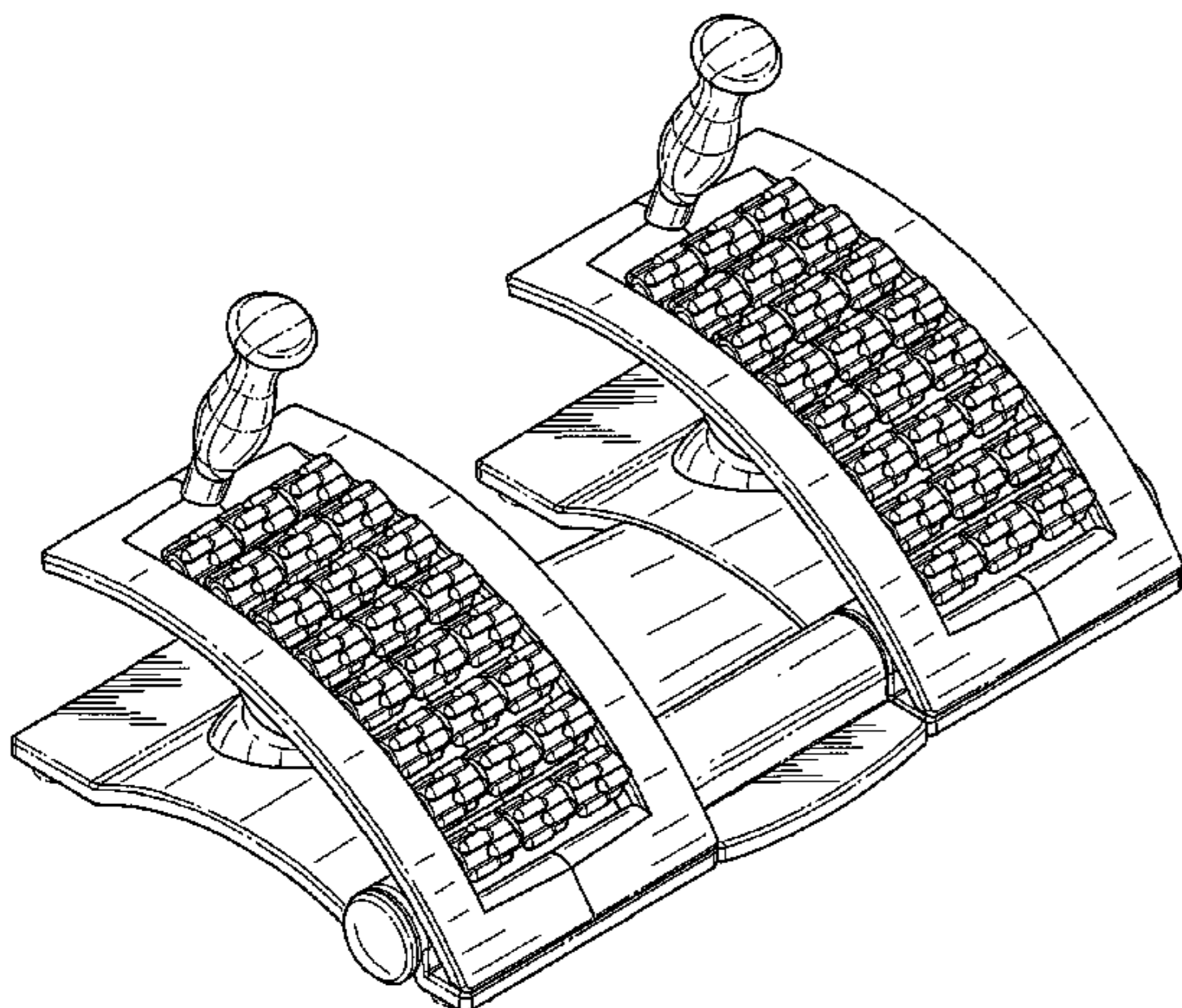
FOREIGN PATENT DOCUMENTS

DE 9414342 U1 12/1994

(Continued)

Primary Examiner—Susan E Krakower
(74) *Attorney, Agent, or Firm*—Connolly Bove Lodge & Hutz
LLP

1 Claim, 14 Drawing Sheets



US D629,852 S

Page 2

U.S. PATENT DOCUMENTS

5,527,247 A * 6/1996 Archambault 482/79
D374,045 S * 9/1996 Ward, III D21/686
5,851,166 A 12/1998 Bernardson
5,913,756 A 6/1999 Glaser
6,228,001 B1 5/2001 Johnson et al.
D461,211 S * 8/2002 Kuo D21/670
6,709,368 B1 * 3/2004 Chue 482/79
D514,635 S * 2/2006 Hsiao D21/670
D517,133 S * 3/2006 Yang D21/670

D613,348 S * 4/2010 McVan et al. D21/662
2004/0266586 A1 12/2004 Palmer
2008/0146421 A1 * 6/2008 Hsieh 482/129
2009/0029830 A1 1/2009 Chiang

FOREIGN PATENT DOCUMENTS

DE 19920166 A1 11/2000
GB 1004500 A 9/1965
KR 940026255 U 12/1994

* cited by examiner

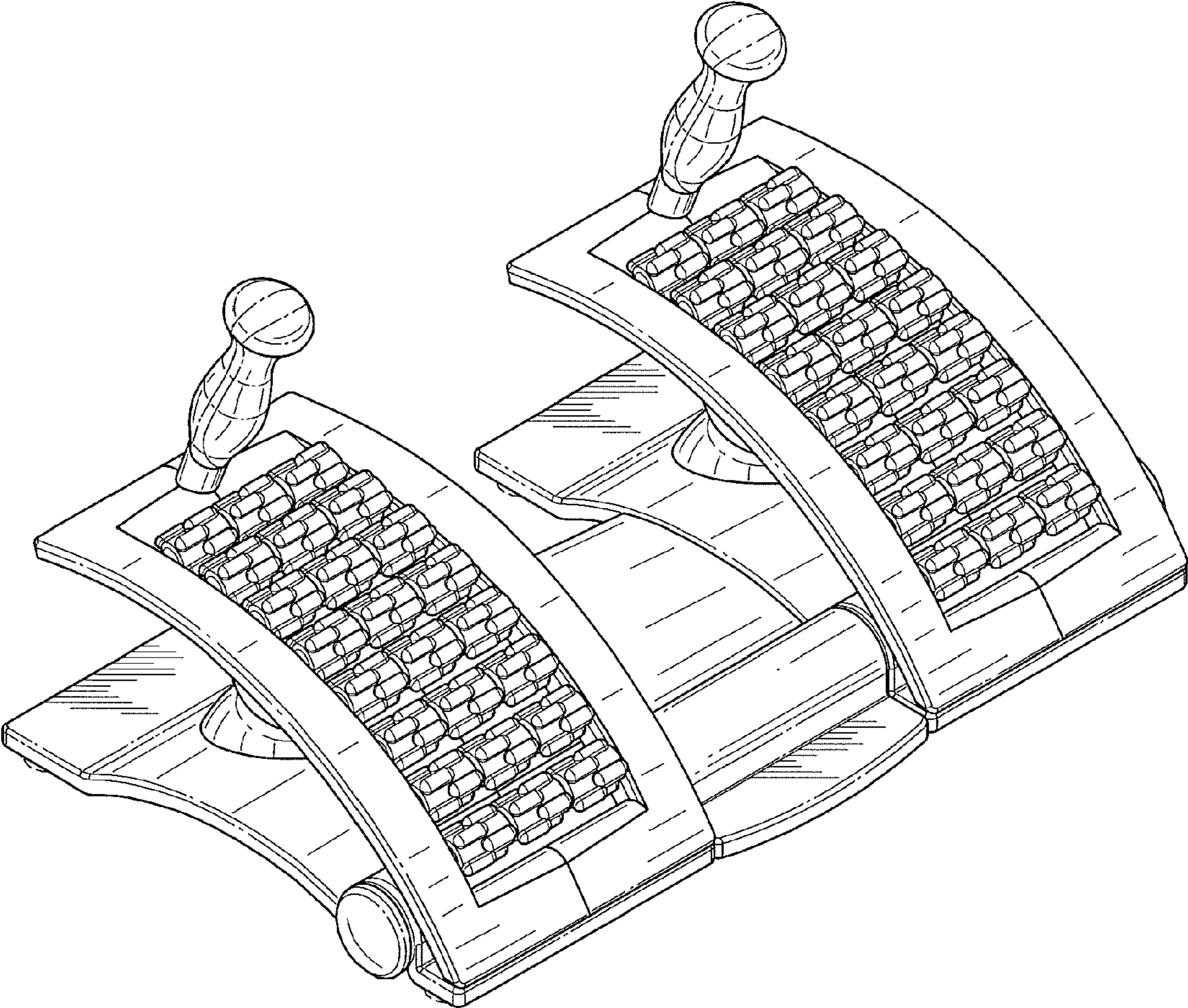


FIG. 1

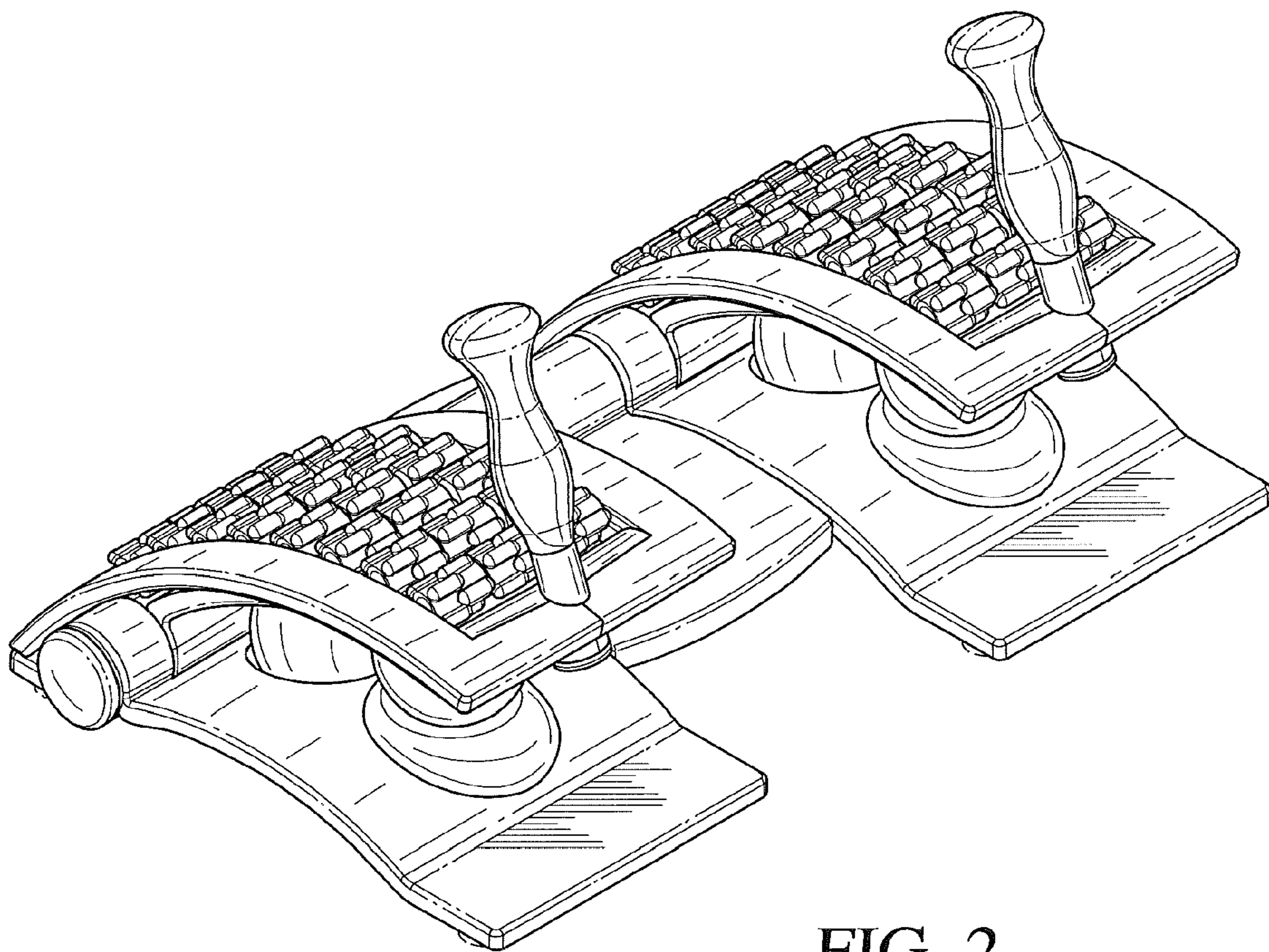


FIG. 2

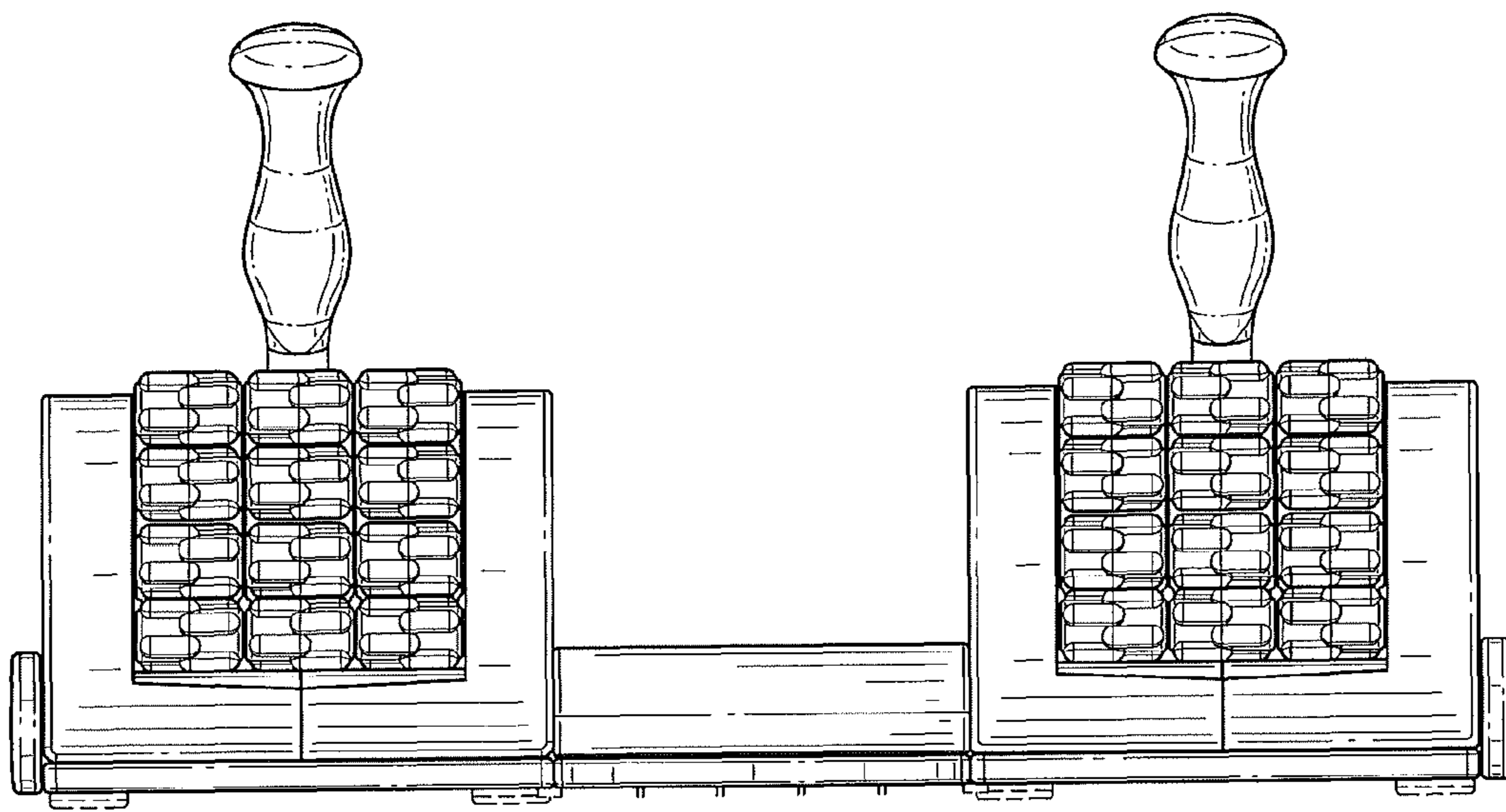


FIG. 3

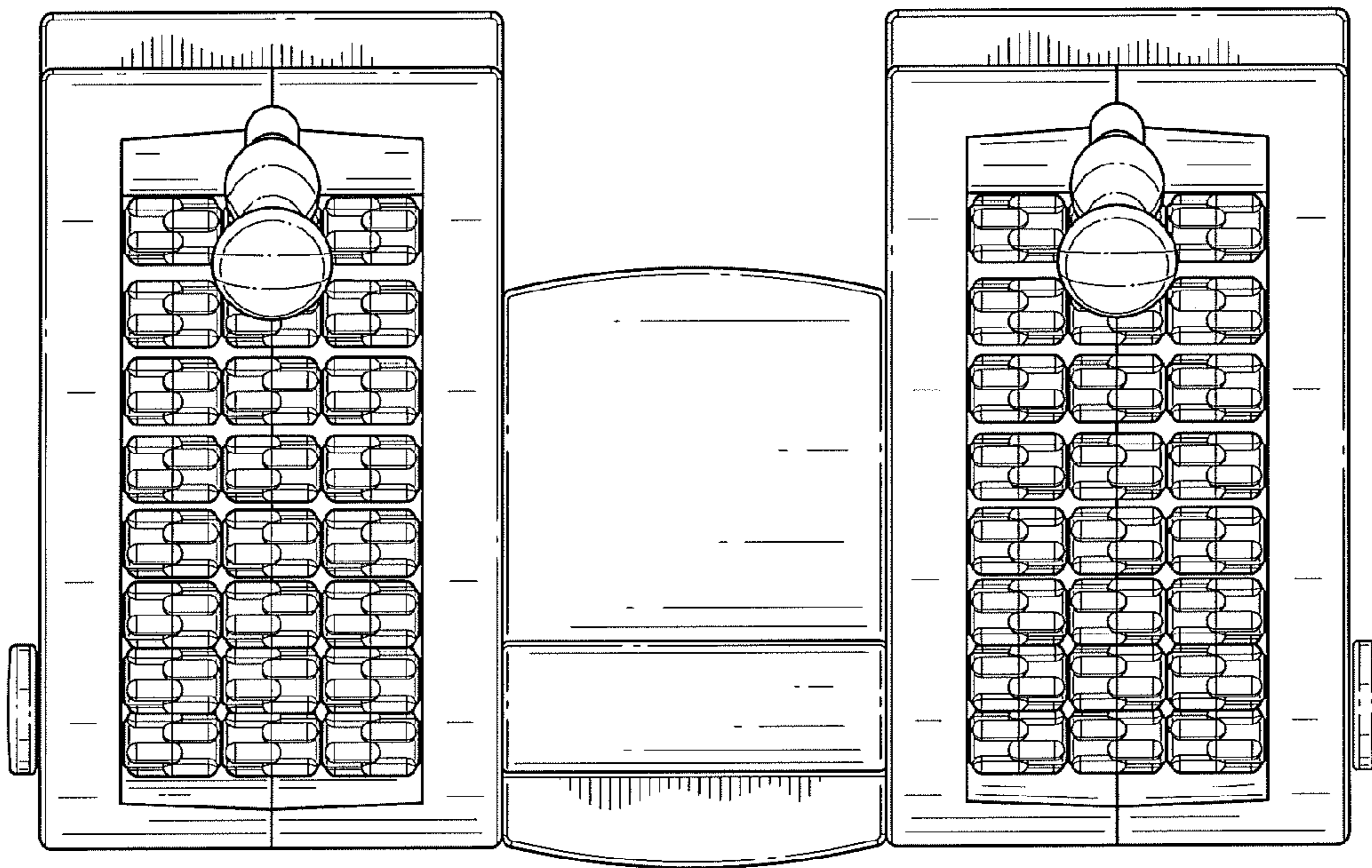


FIG. 4

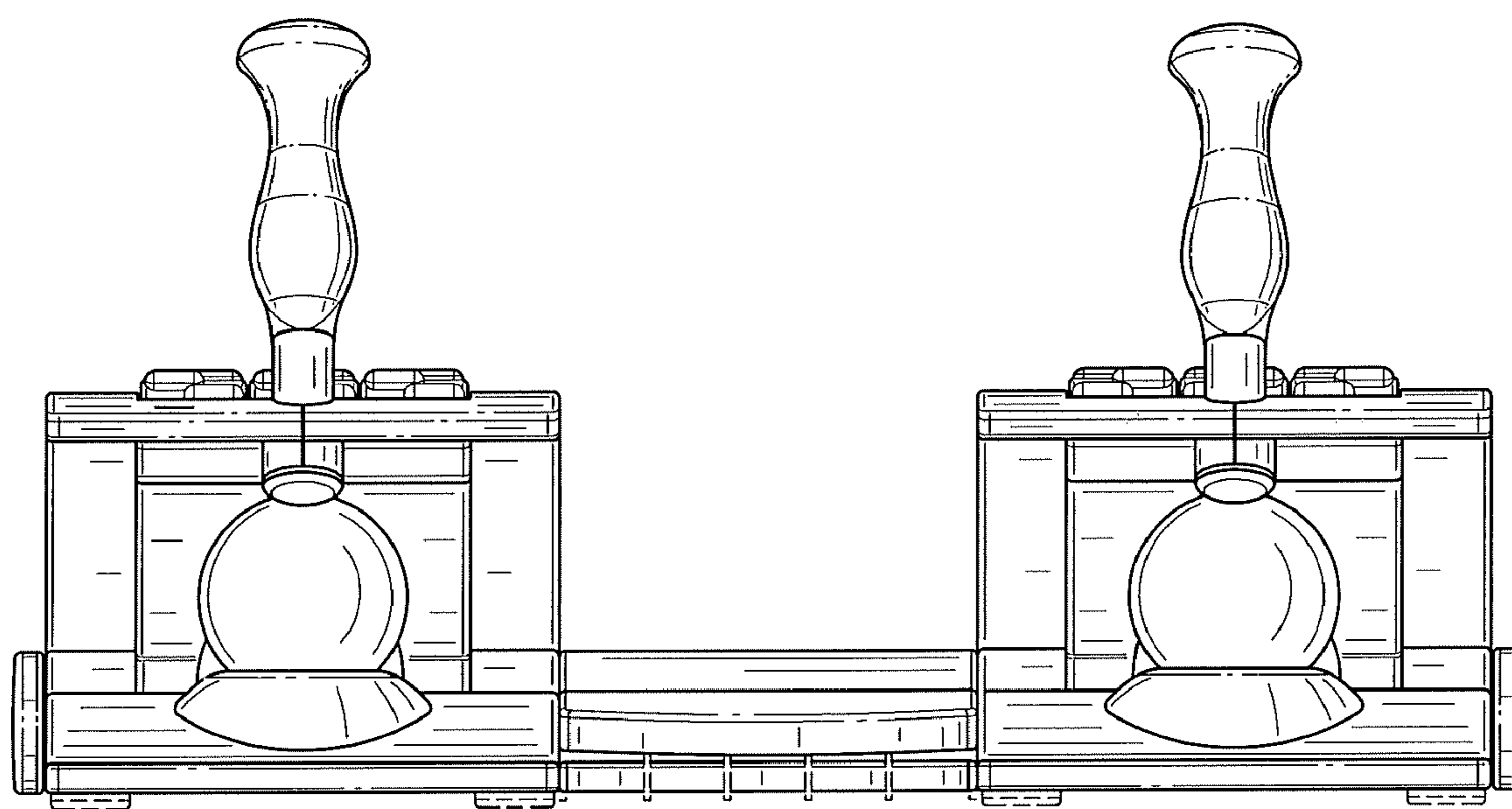


FIG. 5

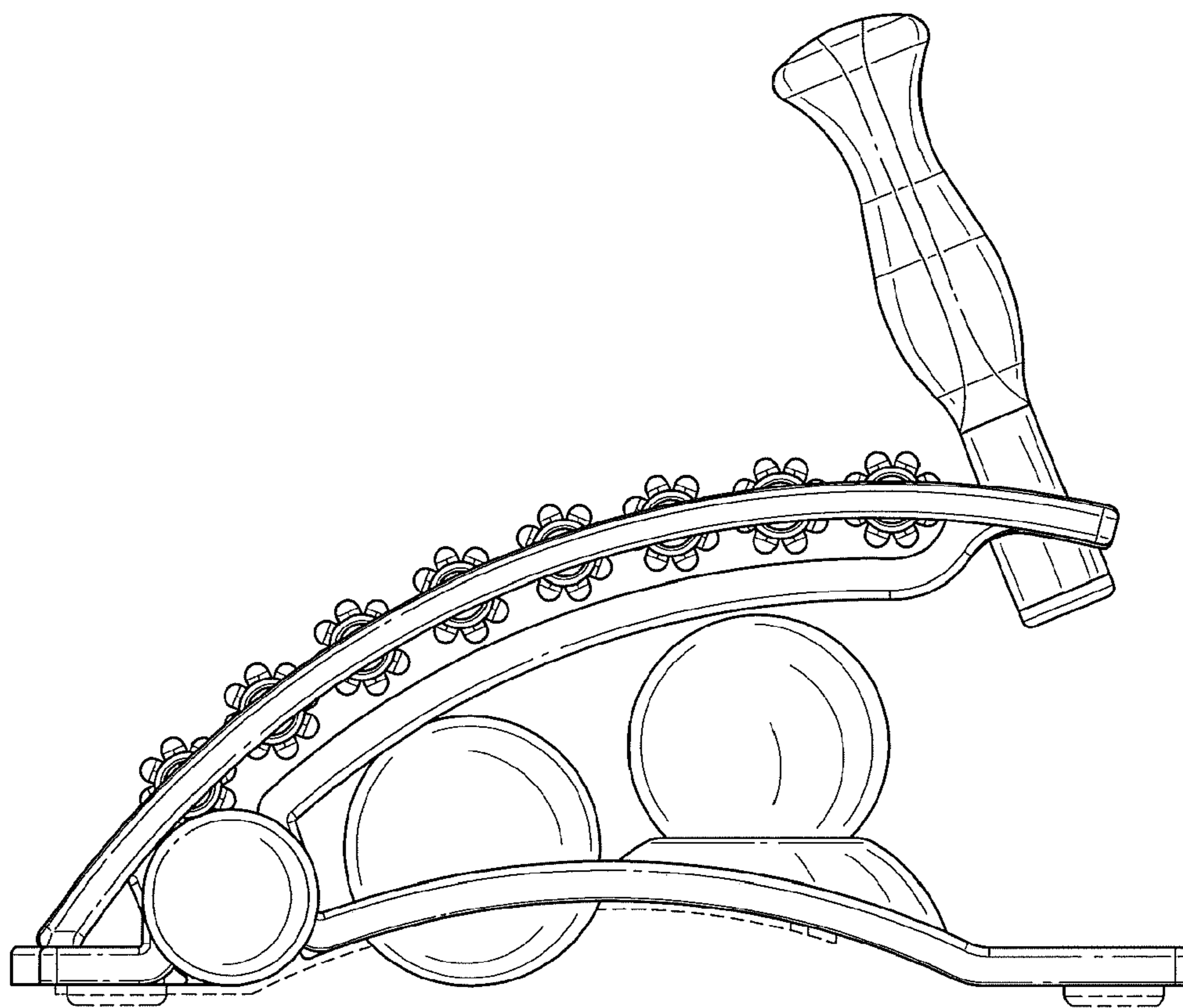


FIG. 6

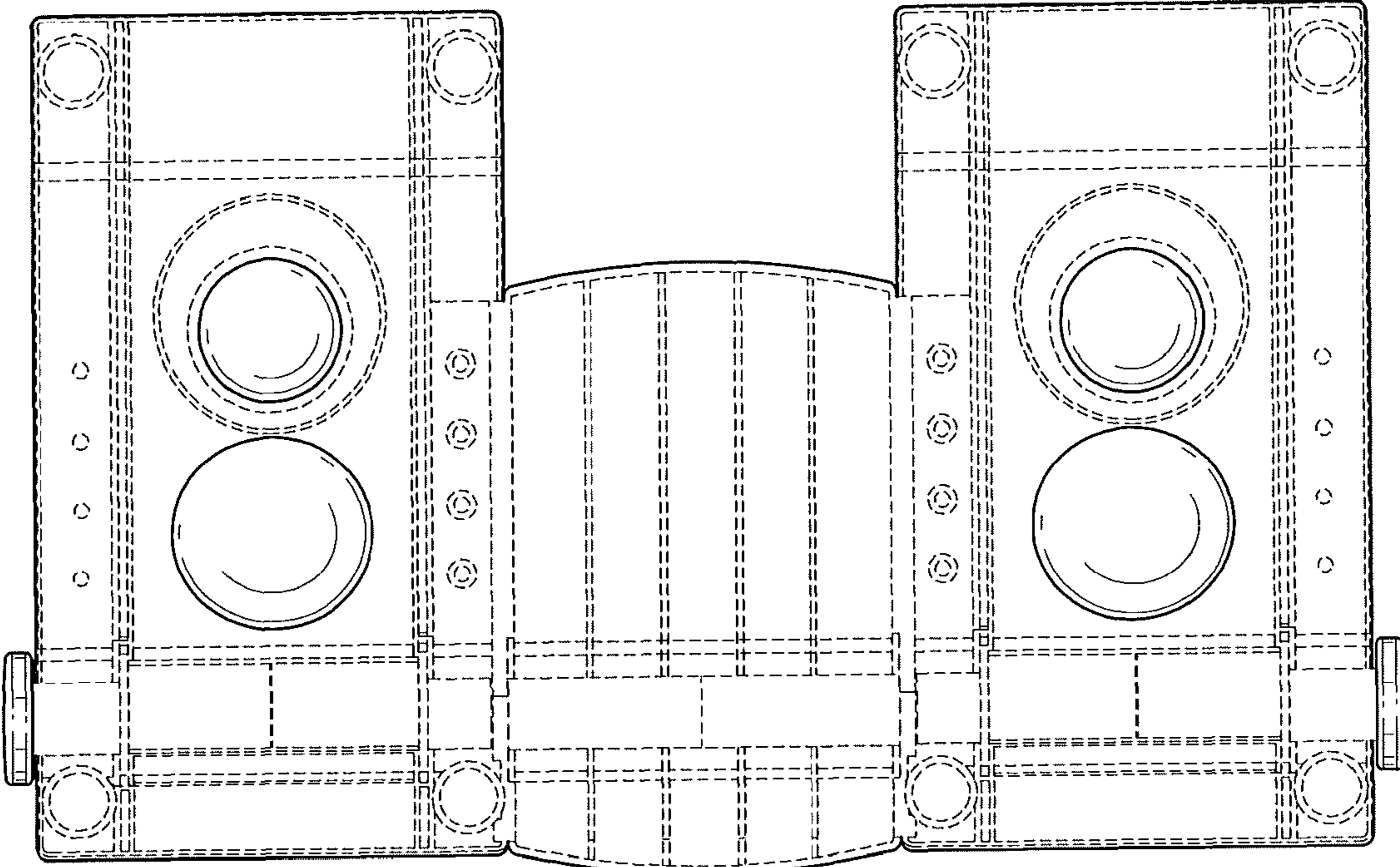


FIG. 7

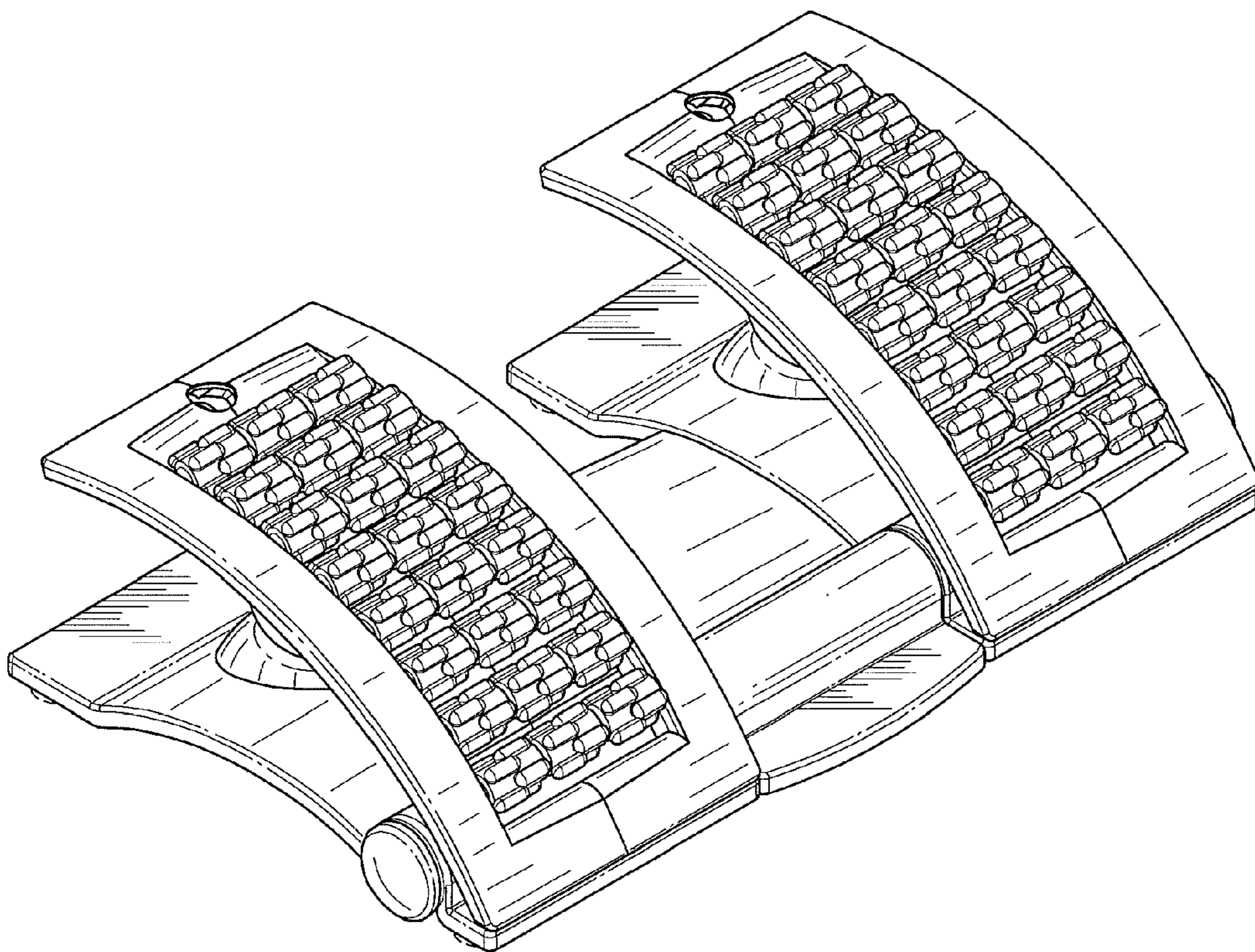


FIG. 8

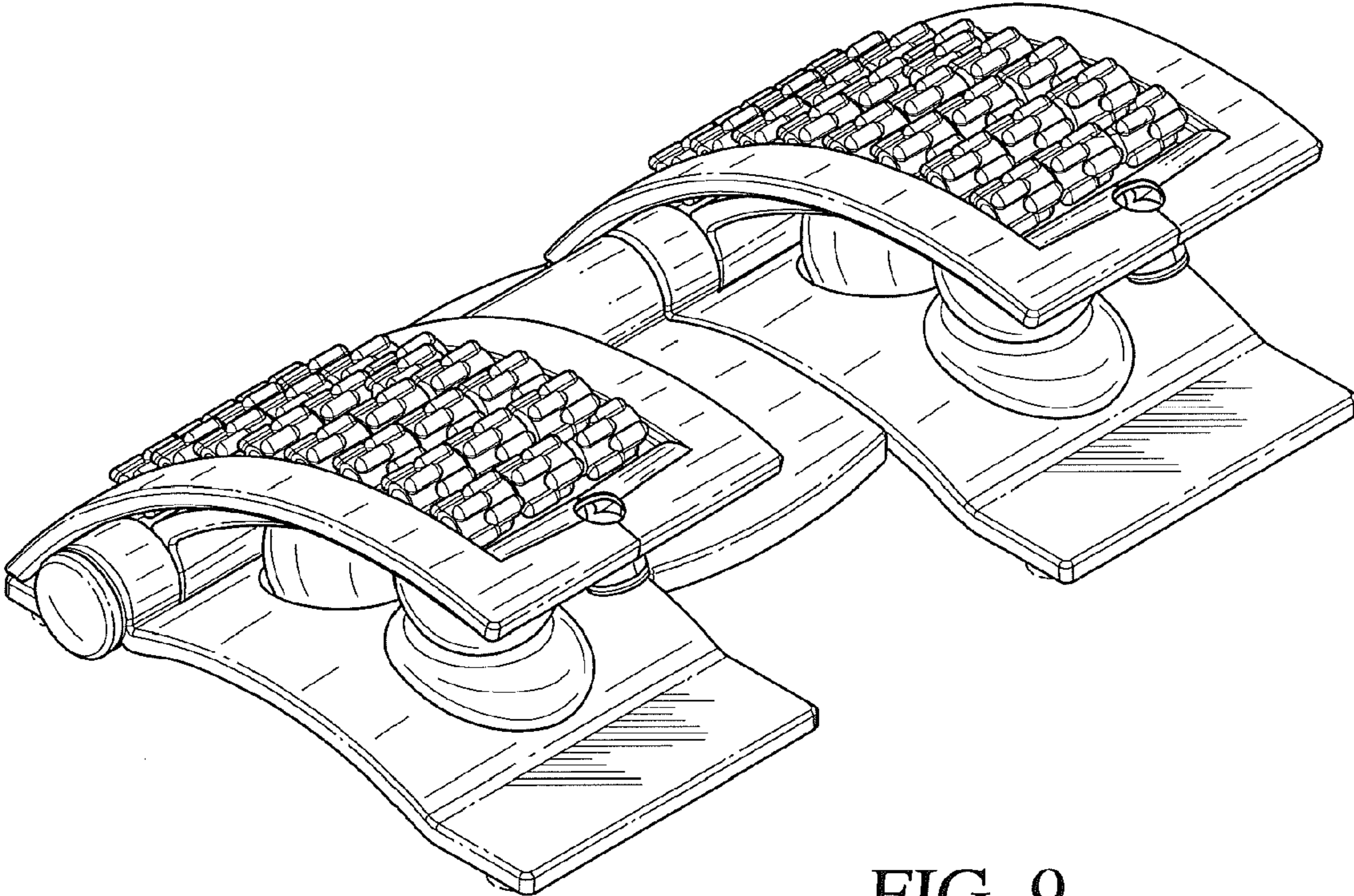


FIG. 9

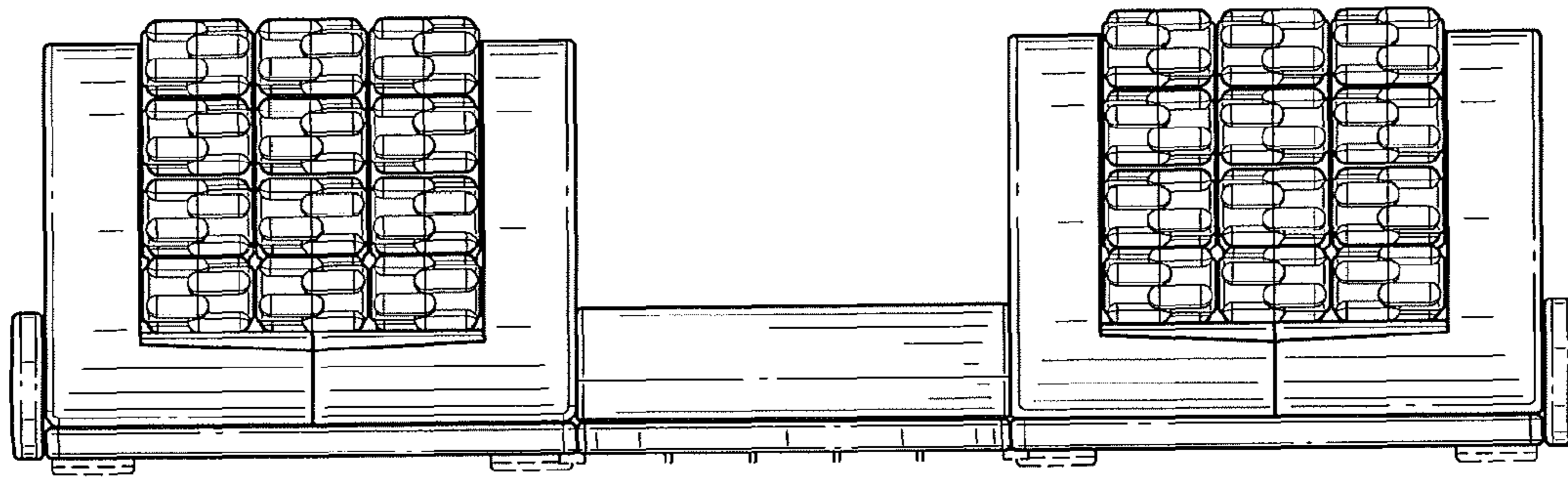


FIG. 10

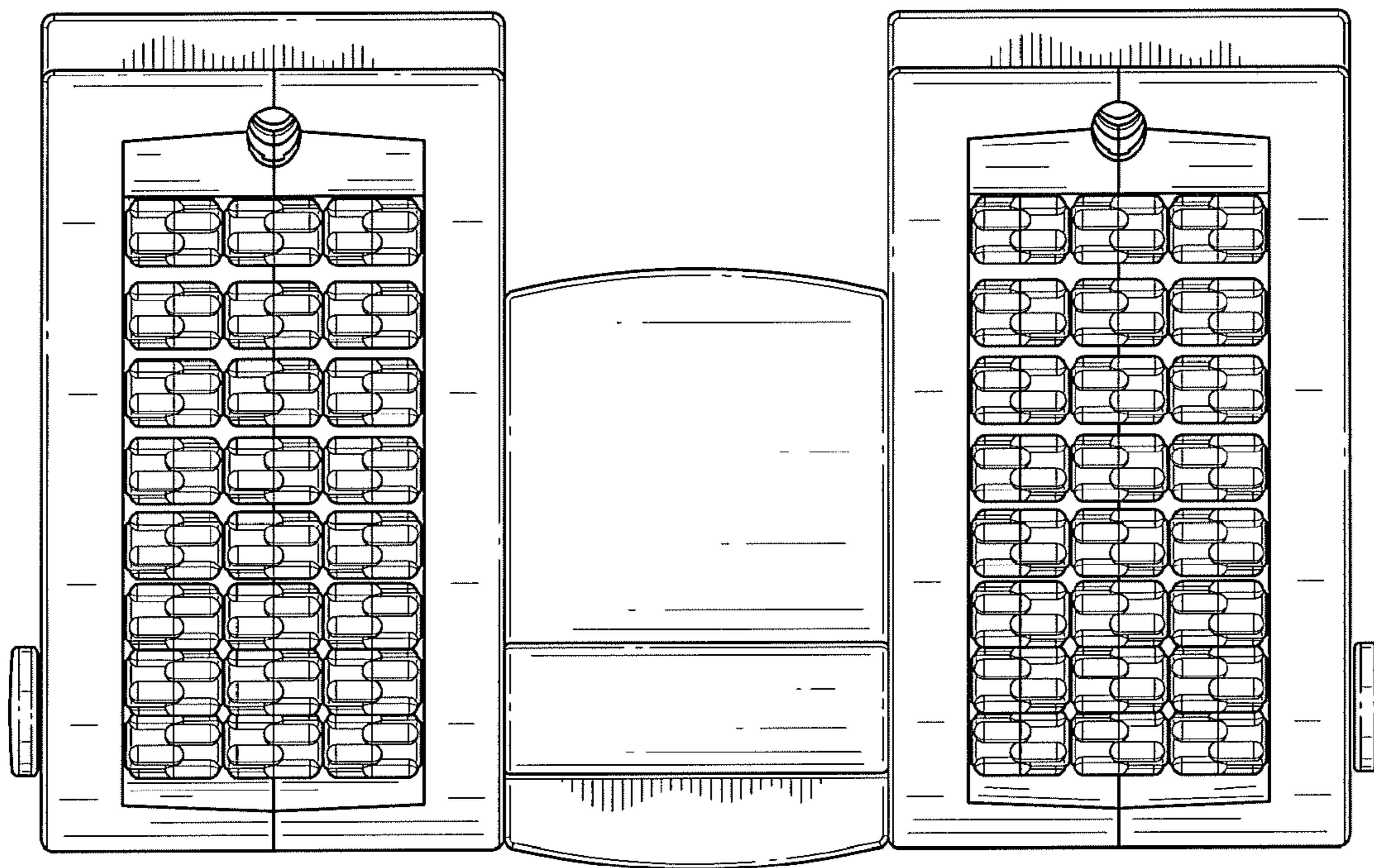


FIG. 11

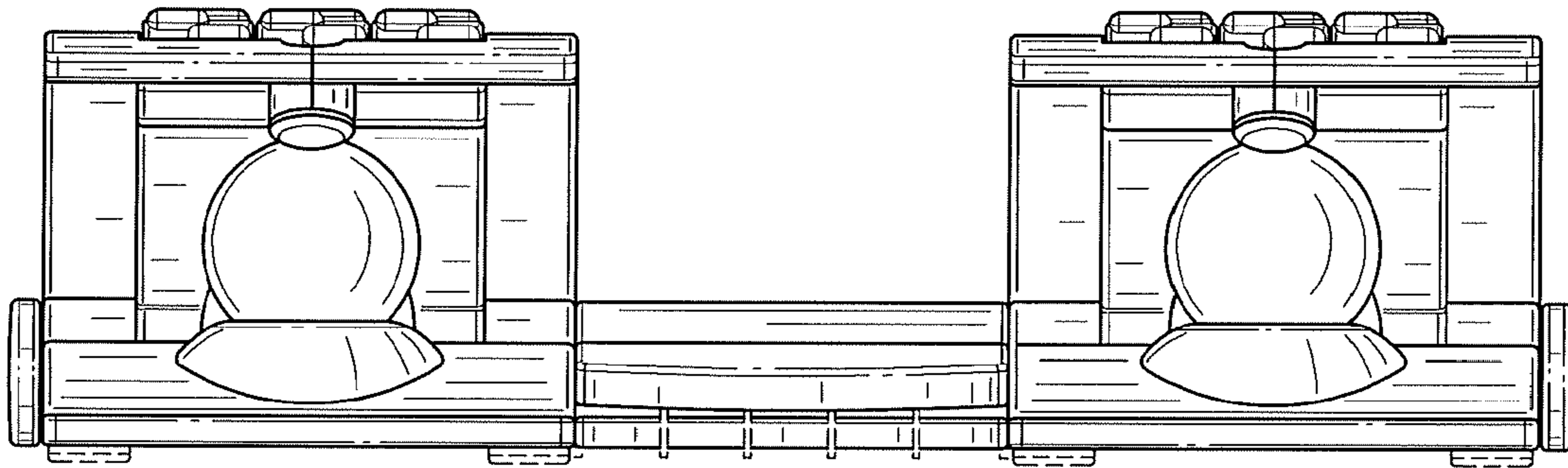


FIG. 12

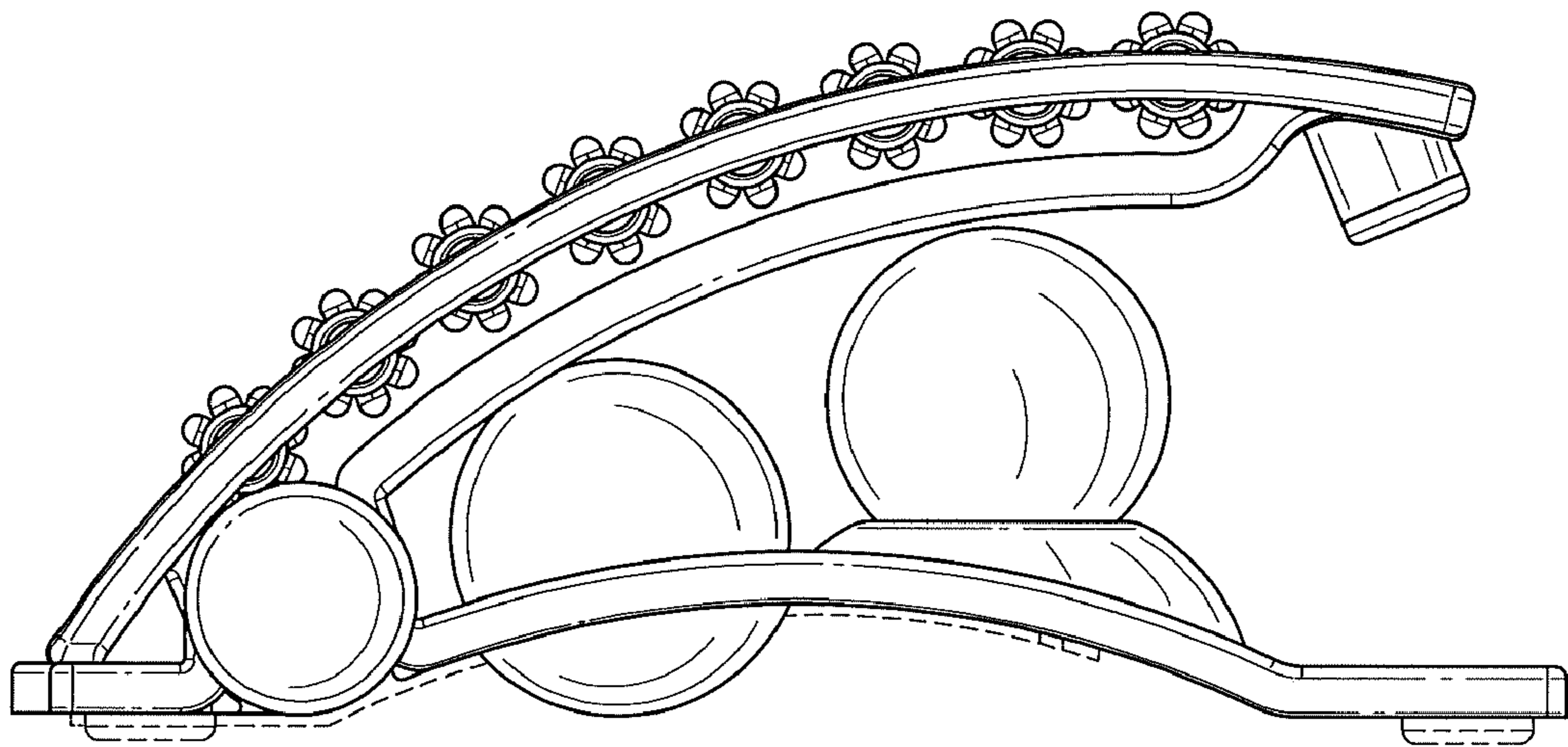


FIG. 13

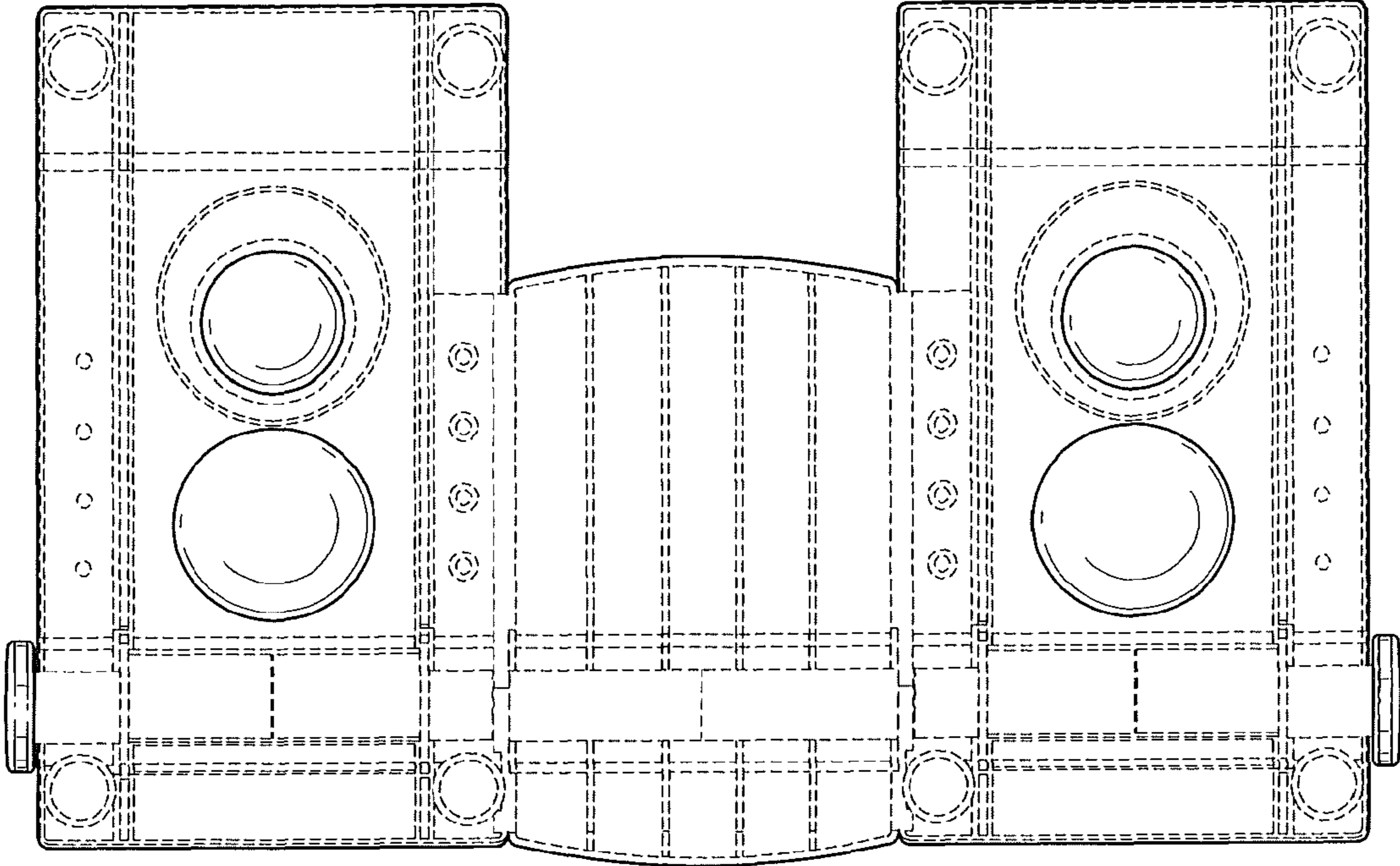


FIG. 14