



US00D629844S

(12) **United States Design Patent**  
**Robbins**

(10) **Patent No.:** **US D629,844 S**

(45) **Date of Patent:** **\*\* Dec. 28, 2010**

(54) **BOOKMARK**

(75) Inventor: **Lynn G. Robbins**, Centerville, UT (US)

(73) Assignee: **Bookamajigs, LLC**, Centerville, UT (US)

(\*\*) Term: **14 Years**

(21) Appl. No.: **29/358,088**

(22) Filed: **Mar. 22, 2010**

(51) **LOC (9) Cl.** ..... **19-99**

(52) **U.S. Cl.** ..... **D19/34**

(58) **Field of Classification Search** ..... D19/1, D19/2, 34, 32, 65, 91, 81, 36, 26; D11/78.1, D11/223; D9/600; D3/253, 247; 116/238, 116/239, 240, 234, 235; 24/67 R; 281/142  
See application file for complete search history.

(56) **References Cited**

**U.S. PATENT DOCUMENTS**

308,942 A *	12/1884	Yewell	.....	281/37
472,632 A	4/1892	Watson		
616,438 A *	12/1898	Newkirk	.....	283/117
D49,616 S *	9/1916	McKee	.....	D19/99
1,269,025 A	6/1918	Watts		
1,540,777 A	7/1922	Hellerman		
1,710,062 A	2/1927	Moore		
1,621,008 A *	3/1927	Fricker	.....	24/563
1,816,910 A	4/1929	Moore		
1,898,429 A	5/1931	Domenego		
1,894,533 A	3/1932	Dempsey		
1,857,488 A *	5/1932	Weeks	.....	24/563
1,919,971 A	12/1932	Wulkop		
1,961,527 A	3/1933	Petro		
2,394,372 A	3/1945	Evans		
2,664,847 A	8/1951	Orman		
3,020,876 A	8/1959	Riden		
3,011,471 A	11/1960	Tam		
3,059,609 A	4/1961	Sealana		
D216,741 S *	3/1970	Bosma	.....	D16/135
3,604,067 A *	9/1971	Brown	.....	24/67 R
3,670,691 A	6/1972	Anderson		
3,898,951 A	8/1975	Clare		

4,024,832 A	5/1977	Machnikowski		
4,226,006 A *	10/1980	Toyama	.....	24/3.12
D292,071 S *	9/1987	Weir	.....	D9/442

(Continued)

**FOREIGN PATENT DOCUMENTS**

DE 19822314 11/1999

(Continued)

**OTHER PUBLICATIONS**

Declaration of Lynn G. Robbins Regarding Distribution of Beehive Bookmarks and Torch Bookmarks dated Jun. 17, 2010.

(Continued)

*Primary Examiner*—Austin Murphy  
(74) *Attorney, Agent, or Firm*—Stoel Rives LLP

(57) **CLAIM**

The ornamental design for a bookmark, as shown and described.

**DESCRIPTION**

FIG. 1 is a front perspective view of a bookmark showing my new design;

FIG. 2 is a front elevation view thereof;

FIG. 3 is a top plan view thereof;

FIG. 4 is a bottom plan view thereof;

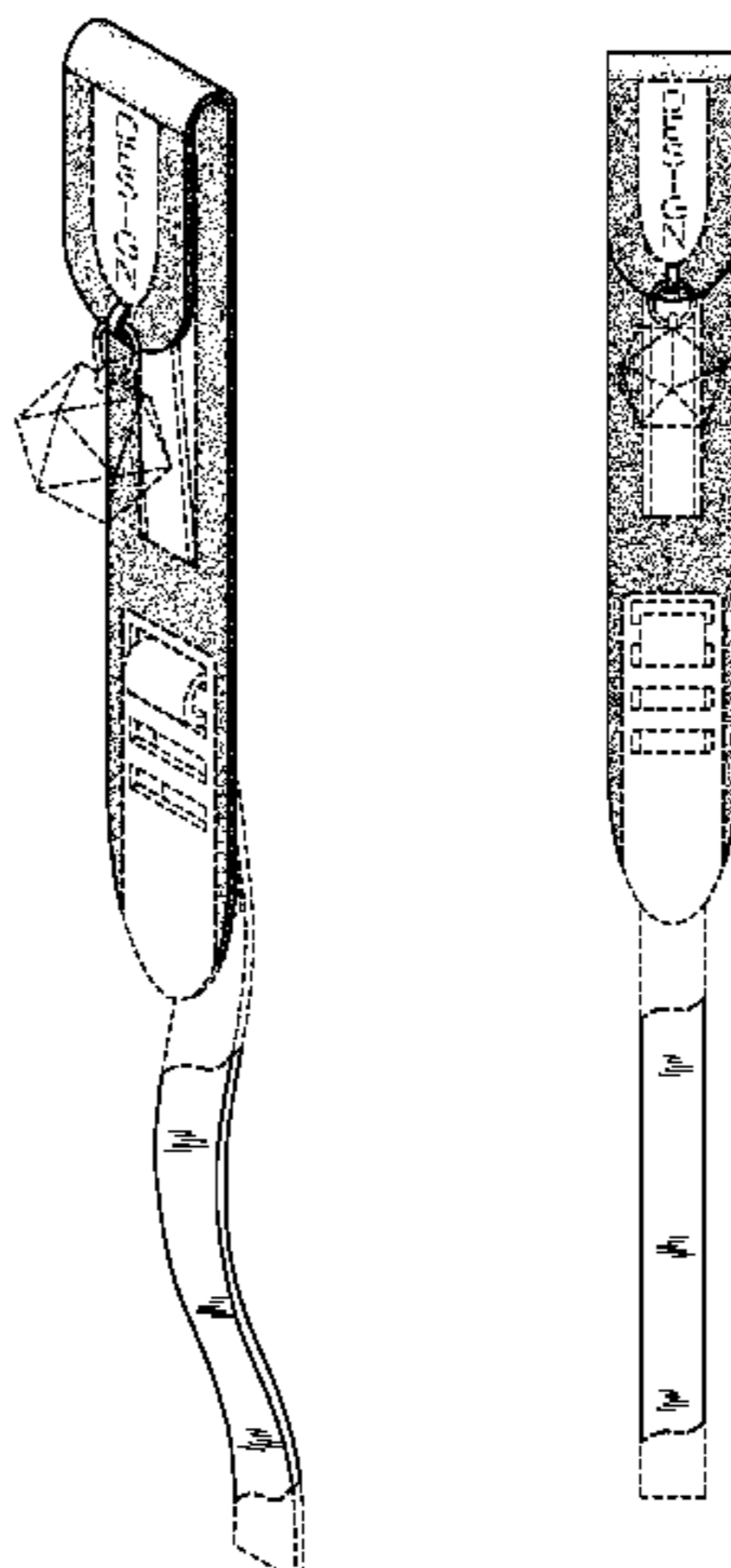
FIG. 5 is a left side elevation view thereof; and,

FIG. 6 is a right side elevation view thereof.

The different types of surface shading employed in the drawings illustrates a contrasting appearance.

The broken lines immediately adjacent the shaded areas represent the bounds of the claimed design, while all other broken lines are directed to environment and are for illustrative purposes only; the broken lines form no part of the claimed design.

**1 Claim, 3 Drawing Sheets**



# US D629,844 S

Page 2

## U.S. PATENT DOCUMENTS

4,838,198 A 6/1989 Knox  
D311,209 S \* 10/1990 Svec ..... D19/34  
5,103,758 A \* 4/1992 Clark ..... 116/237  
5,244,232 A 9/1993 Dulberger  
5,375,884 A 12/1994 Farrington  
5,408,950 A 4/1995 Porto  
D358,429 S \* 5/1995 Ely ..... D20/27  
5,443,029 A 8/1995 Garnet  
D365,363 S \* 12/1995 Terino ..... D19/34  
5,503,102 A 4/1996 McDonnell  
5,515,809 A 5/1996 Weinberg  
5,970,777 A \* 10/1999 Hunt et al. .... 72/379.2  
6,197,396 B1 \* 3/2001 Haas et al. .... 428/40.1  
6,352,048 B1 3/2002 Scott  
6,484,365 B1 \* 11/2002 Thompson ..... 24/3.12  
D504,159 S \* 4/2005 Best et al. .... D20/27  
D518,100 S \* 3/2006 Salander et al. .... D19/26  
7,055,861 B1 6/2006 Lee  
7,125,049 B2 \* 10/2006 Goldberg et al. .... 281/42  
D534,584 S \* 1/2007 Goldberg et al. .... D19/34  
D536,735 S \* 2/2007 Johnson ..... D19/81  
D551,705 S \* 9/2007 Mershon ..... D19/34  
D553,354 S \* 10/2007 Kohler et al. .... D3/247  
2002/0096103 A1 7/2002 Capstran  
2002/0166497 A1 11/2002 Rae  
2004/0045496 A1 \* 3/2004 Smith ..... 116/234  
2004/0129198 A1 7/2004 Wu  
2006/0101621 A1 \* 5/2006 Just ..... 24/67 R

2009/0115183 A1 5/2009 Kim

## FOREIGN PATENT DOCUMENTS

DE 202006013833 12/2006  
FR 2774028 7/1999  
GB 24930 6/1910  
GB 220401 8/1924  
GB 2150077 6/1985  
GB 2348851 10/2000

## OTHER PUBLICATIONS

U.S. Des. Appl. No. 29/358,068 filed Mar. 22, 2010.  
U.S. Des. Appl. No. 29/358,074 filed Mar. 22, 2010.  
U.S. Des. Appl. No. 29/358,081 filed Mar. 22, 2010.  
U.S. Des. Appl. No. 29/358,096 filed Mar. 22, 2010.  
U.S. Appl. No. 12/749,778 filed Mar. 30, 2010.  
U.S. Appl. No. 12/749,871 filed Mar. 30, 2010.  
U.S. Des. Appl. No. 29/358,097 filed Mar. 22, 2010.  
U.S. Des. Appl. No. 29/358,098 filed Mar. 22, 2010.  
Notice of Allowance dated May 12, 2010 that issued in U.S. Des. Appl. No. 29/358,068.  
Notice of Allowance dated May 12, 2010 that issued in U.S. Des. Appl. No. 29/358,074.  
Notice of Allowance dated May 12, 2010 that issued in U.S. Des. Appl. No. 29/358,081.  
Notice of Allowance dated Jun. 01, 2010 that issued in U.S. Des. Appl. No. 29/358,096.  
Notice of Allowance dated Jun. 1, 2010 that issued in U.S. Des. Appl. No. 29/358,097.  
Office Action dated May 26, 2010 that issued in U.S. Des. Appl. No. 29/358,098.

\* cited by examiner

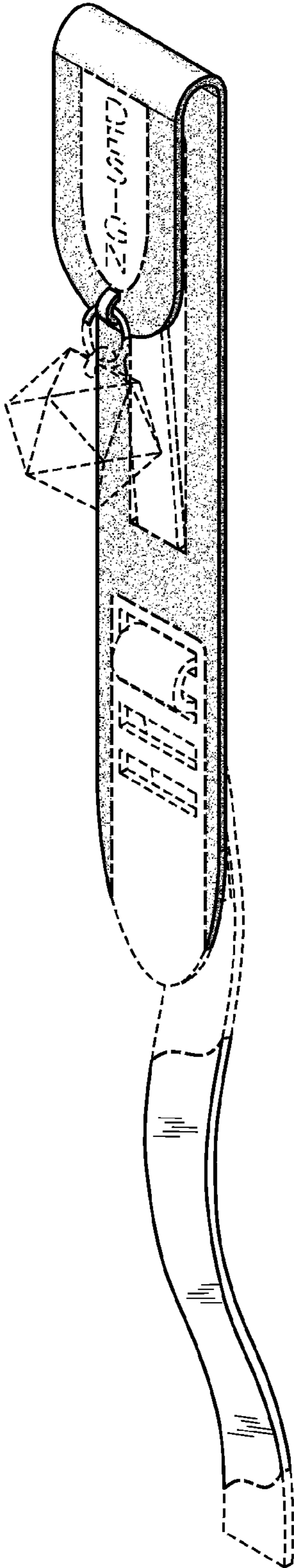
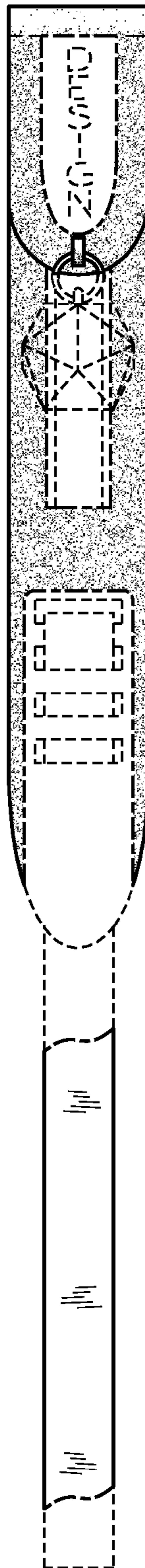


FIG. 1



**FIG. 2**

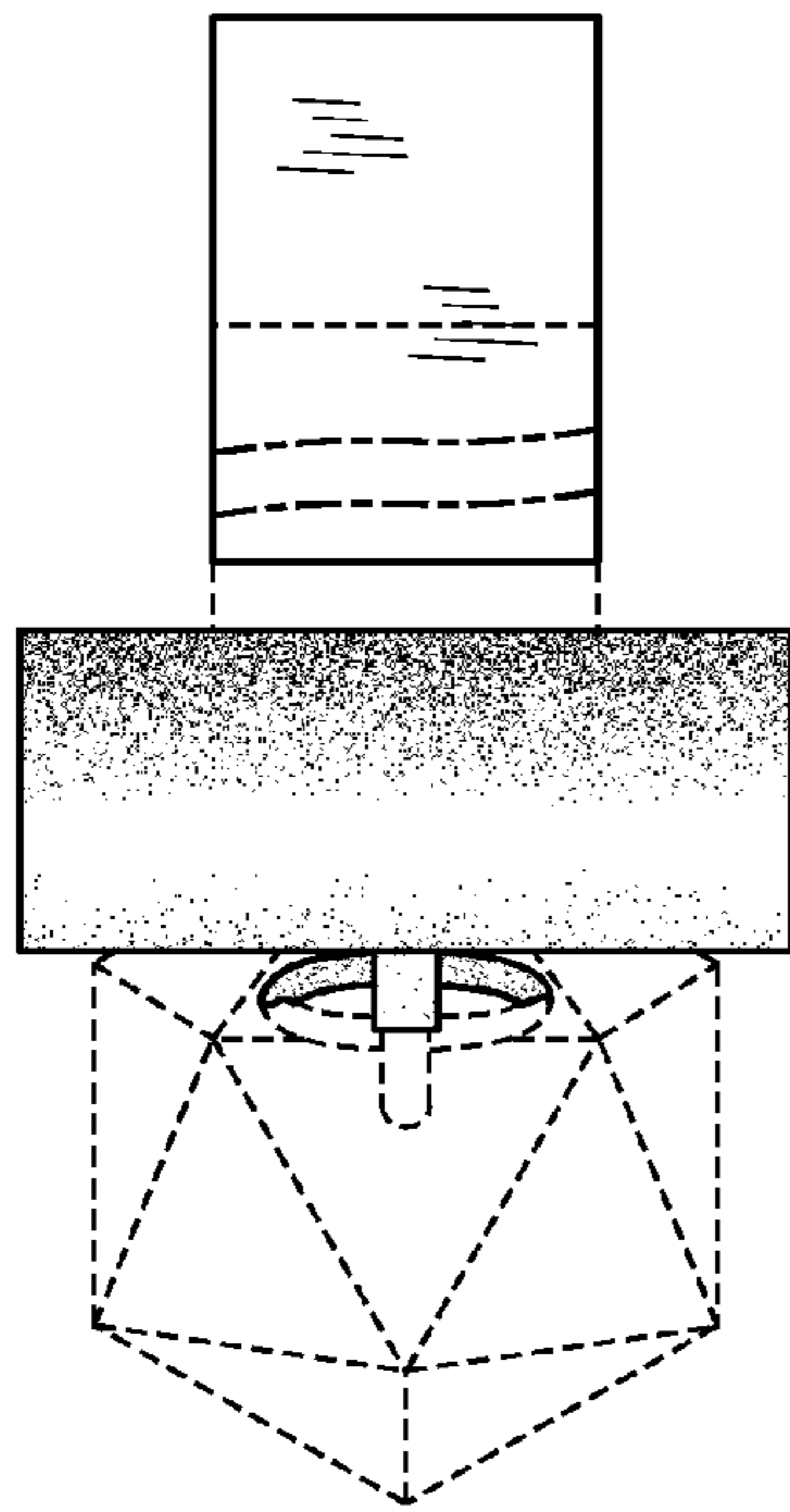


FIG. 3

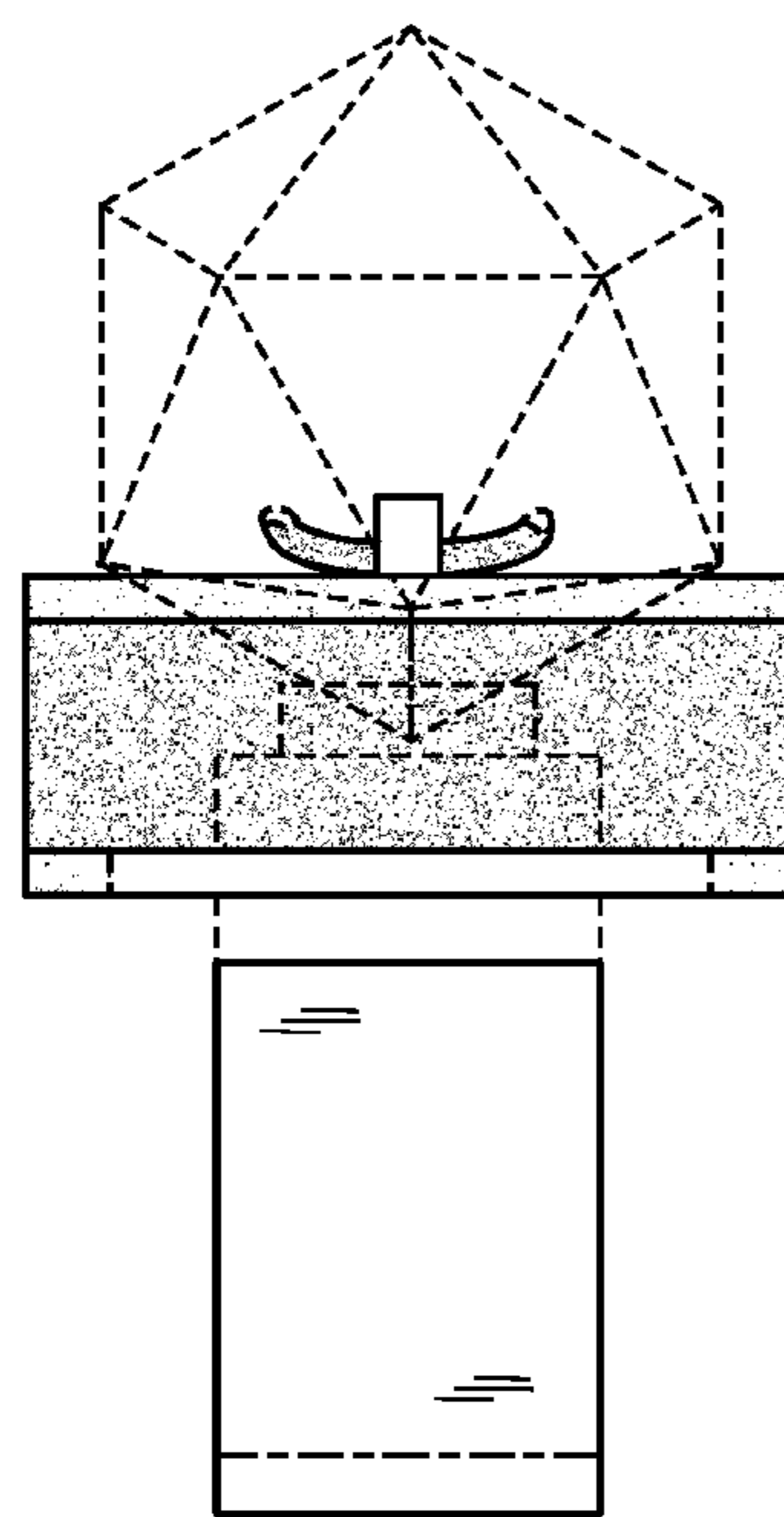


FIG. 4

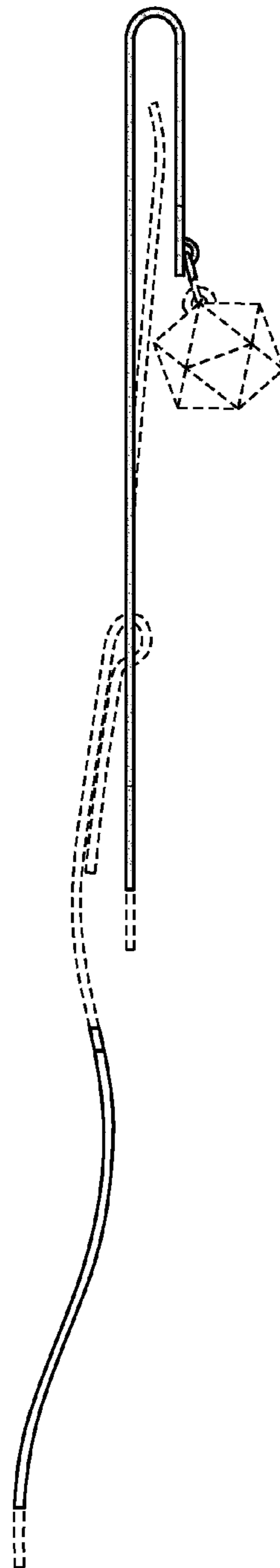


FIG. 5

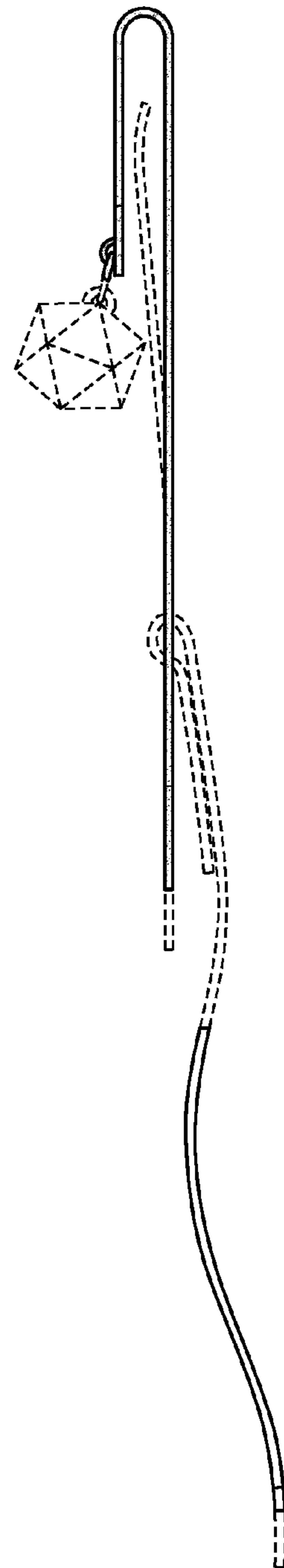


FIG. 6