



US00D629843S

(12) **United States Design Patent**
Tartarone

(10) **Patent No.:** **US D629,843 S**

(45) **Date of Patent:** **** Dec. 28, 2010**

(54) **BINDER WITH ELECTRONIC DISPLAY**

(76) Inventor: **Giovanna Tartarone**, 206 Briarwood Dr., Somers, NY (US) 10589

(**) Term: **14 Years**

(21) Appl. No.: **29/357,757**

(22) Filed: **Mar. 17, 2010**

(51) **LOC (9) Cl.** **19-04**

(52) **U.S. Cl.** **D19/26**

(58) **Field of Classification Search** D19/26,
D19/27, 28, 29, 30, 31, 32, 33, 86; D3/301,
D3/303; 281/15.1, 19.1, 22, 29, 38, 51; 447/147;
283/67.1

See application file for complete search history.

(56) **References Cited**

U.S. PATENT DOCUMENTS

D322,987	S	*	1/1992	Testro et al.	D19/26
5,109,354	A	*	4/1992	Yamashita et al.	708/110
5,359,374	A	*	10/1994	Schwartz	40/455
5,477,510	A	*	12/1995	Ukita	369/18
5,574,519	A	*	11/1996	Manico et al.	396/429
D407,432	S	*	3/1999	Tell	D19/26
D417,889	S	*	12/1999	French	D19/26
D473,720	S	*	4/2003	Harris et al.	D6/300
D477,361	S	*	7/2003	Park	D19/26
D486,030	S	*	2/2004	Bergh	D6/632
D497,051	S	*	10/2004	Nieves	D3/301
D511,921	S	*	11/2005	Bergh	D6/632
D512,100	S	*	11/2005	Howes et al.	D19/86
D525,431	S	*	7/2006	Lux	D3/301
D531,417	S	*	11/2006	Saenz et al.	D6/308
7,540,379	B2	*	6/2009	Yau	206/320
D603,166	S	*	11/2009	Becker	D3/301
D603,167	S	*	11/2009	Becker	D3/301
2004/0164542	A1	*	8/2004	Crawford	281/22

2008/0202959 A1* 8/2008 Chu 206/320

* cited by examiner

Primary Examiner—T. Chase Nelson

Assistant Examiner—Kathleen M Sims

(74) *Attorney, Agent, or Firm*—Collen IP; Donald J. Ranft

(57) **CLAIM**

The ornamental design for a binder with electronic display, as shown and described.

DESCRIPTION

FIG. 1 is a front perspective view of a first embodiment of a binder with electronic display showing my new design;

FIG. 2 is a bottom perspective view thereof;

FIG. 3 is a right side perspective view thereof;

FIG. 4 is a left side perspective view thereof;

FIG. 5 is a top perspective view thereof;

FIG. 6 is a front view thereof with the binder open lying flat;

FIG. 7 is a front perspective view of a second embodiment of a binder with electronic display;

FIG. 8 is a bottom perspective view thereof;

FIG. 9 is a right side perspective view thereof;

FIG. 10 is a left side perspective view thereof;

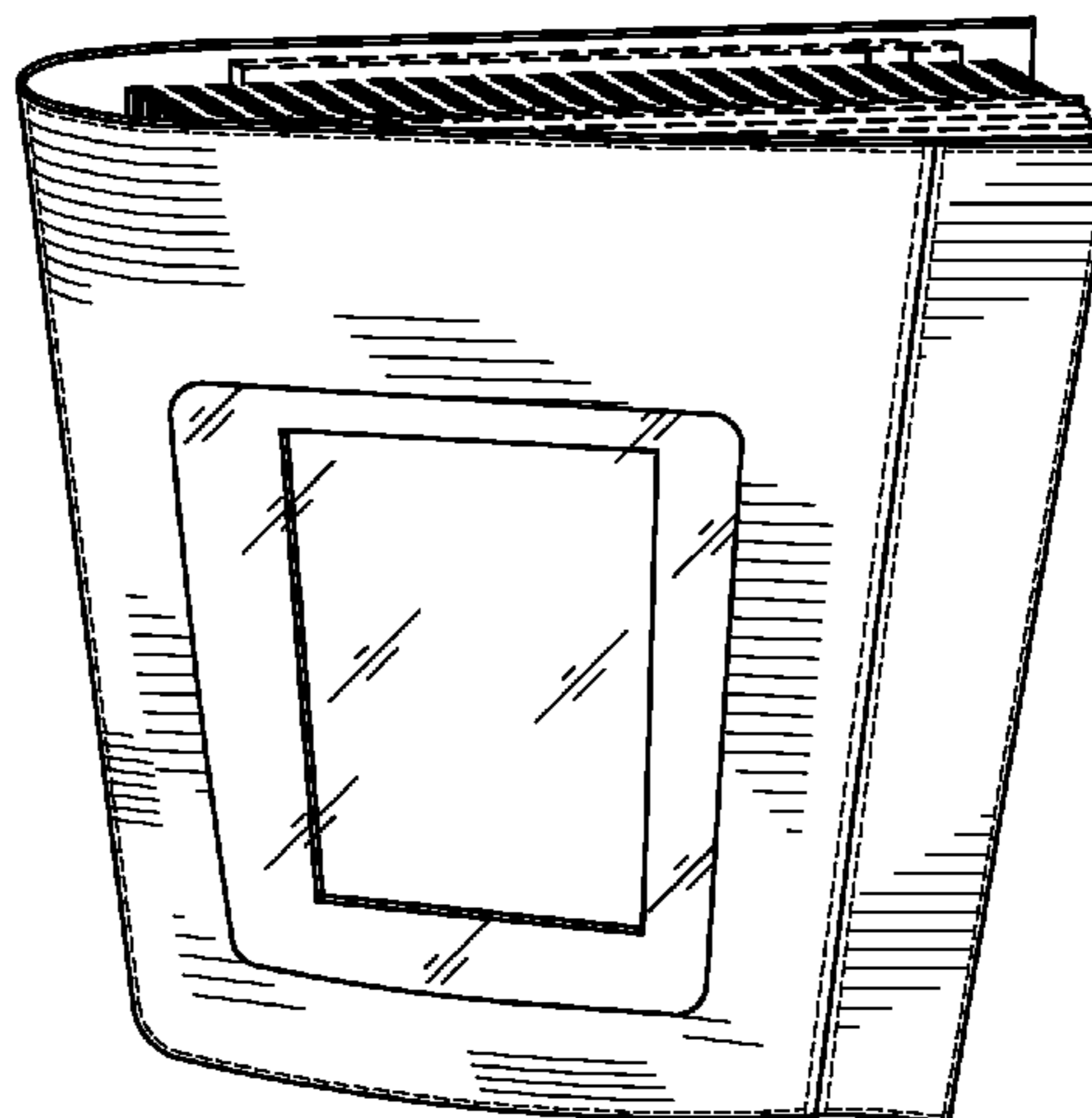
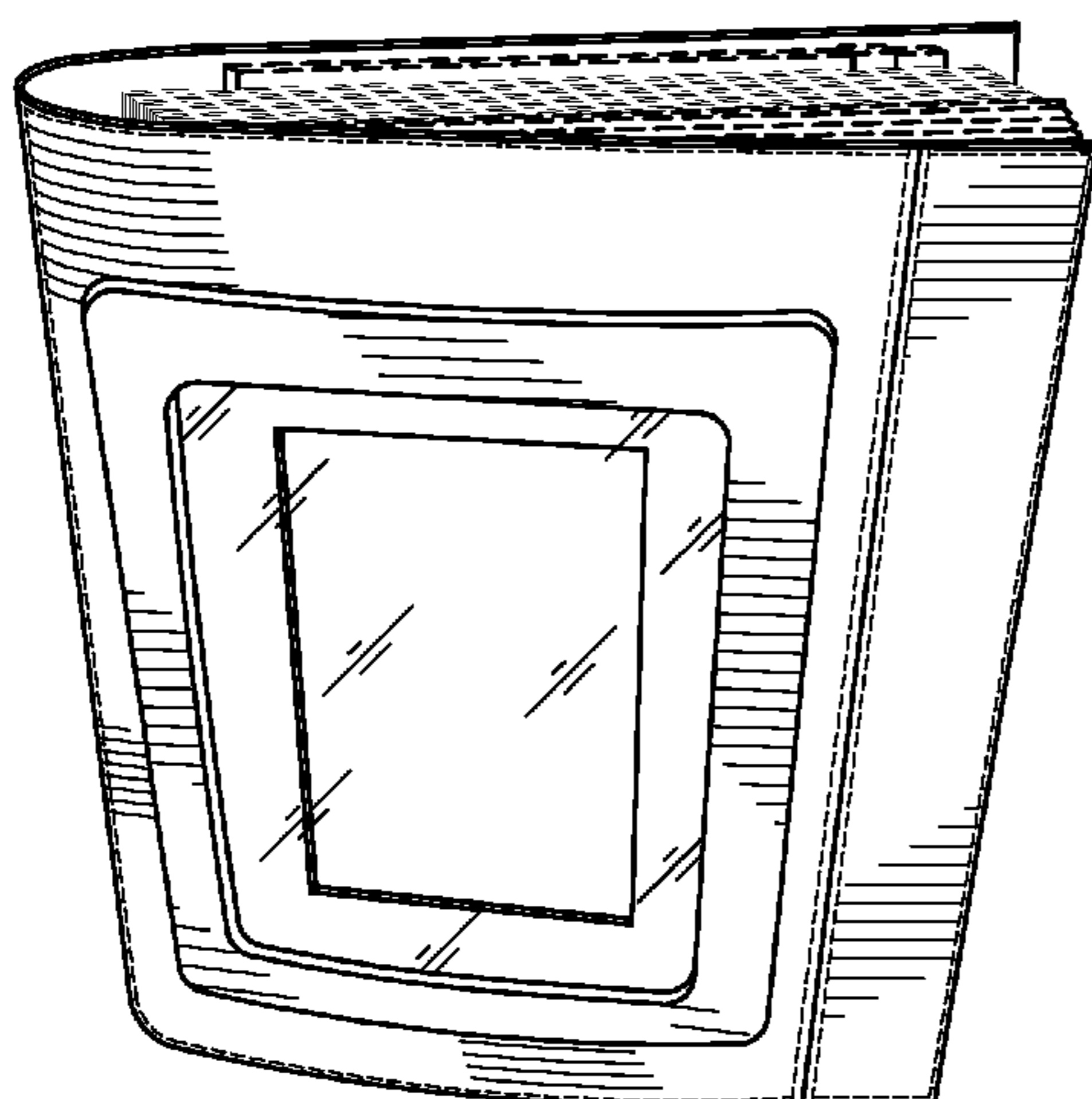
FIG. 11 is a top perspective view thereof; and,

FIG. 12 is a front view thereof with the binder open lying flat.

The broken line showing of interior details in FIGS. 1-3, 5, 7-9 and 11, and a clasp shown in FIGS. 6 and 12 is included for the purpose of showing environmental portions of the binder with electronic display and forms no part of the claimed design.

The equally spaced dashed lines shown in FIGS. 1-12 represent stitching.

1 Claim, 6 Drawing Sheets



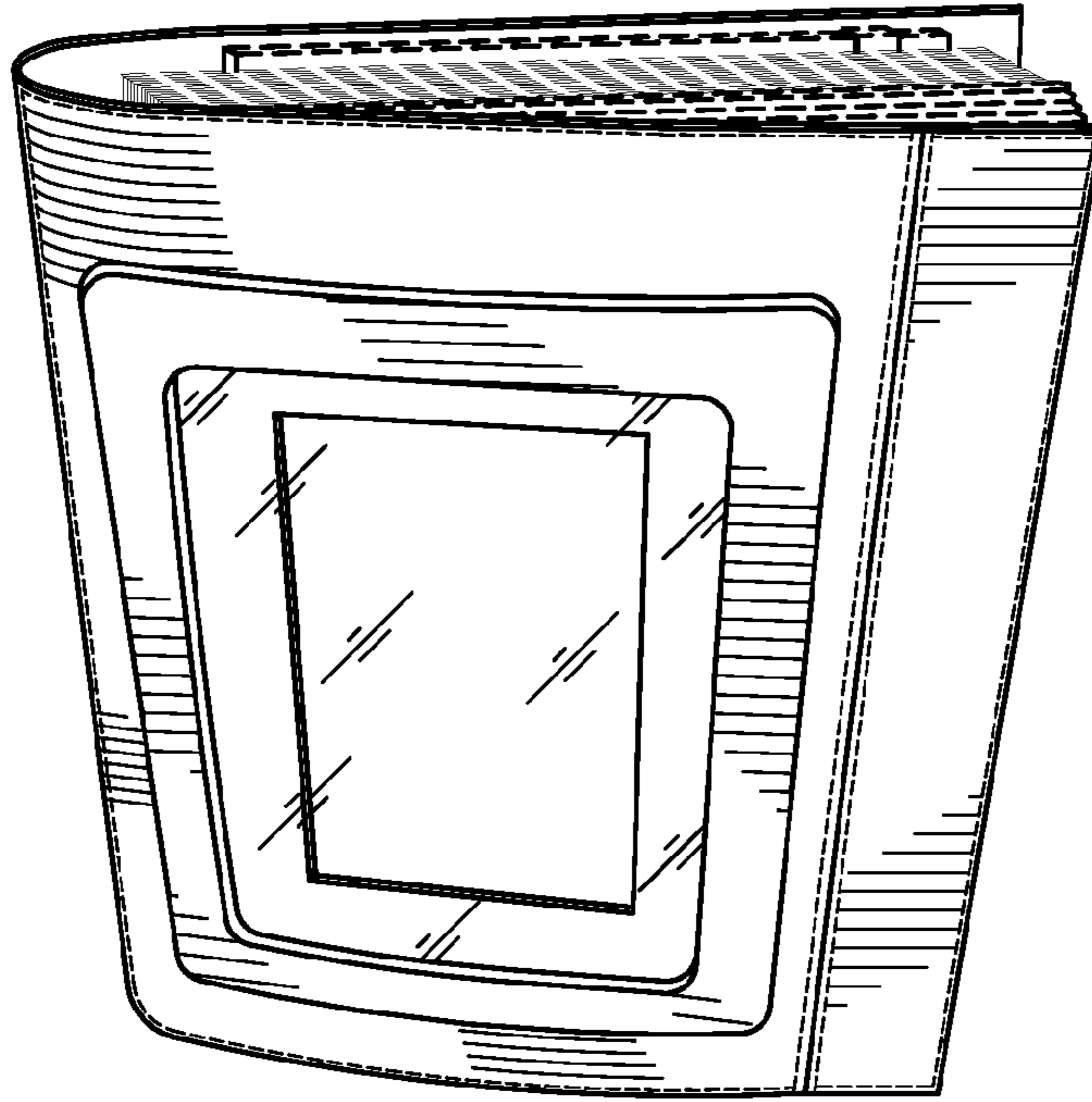


FIG. 1

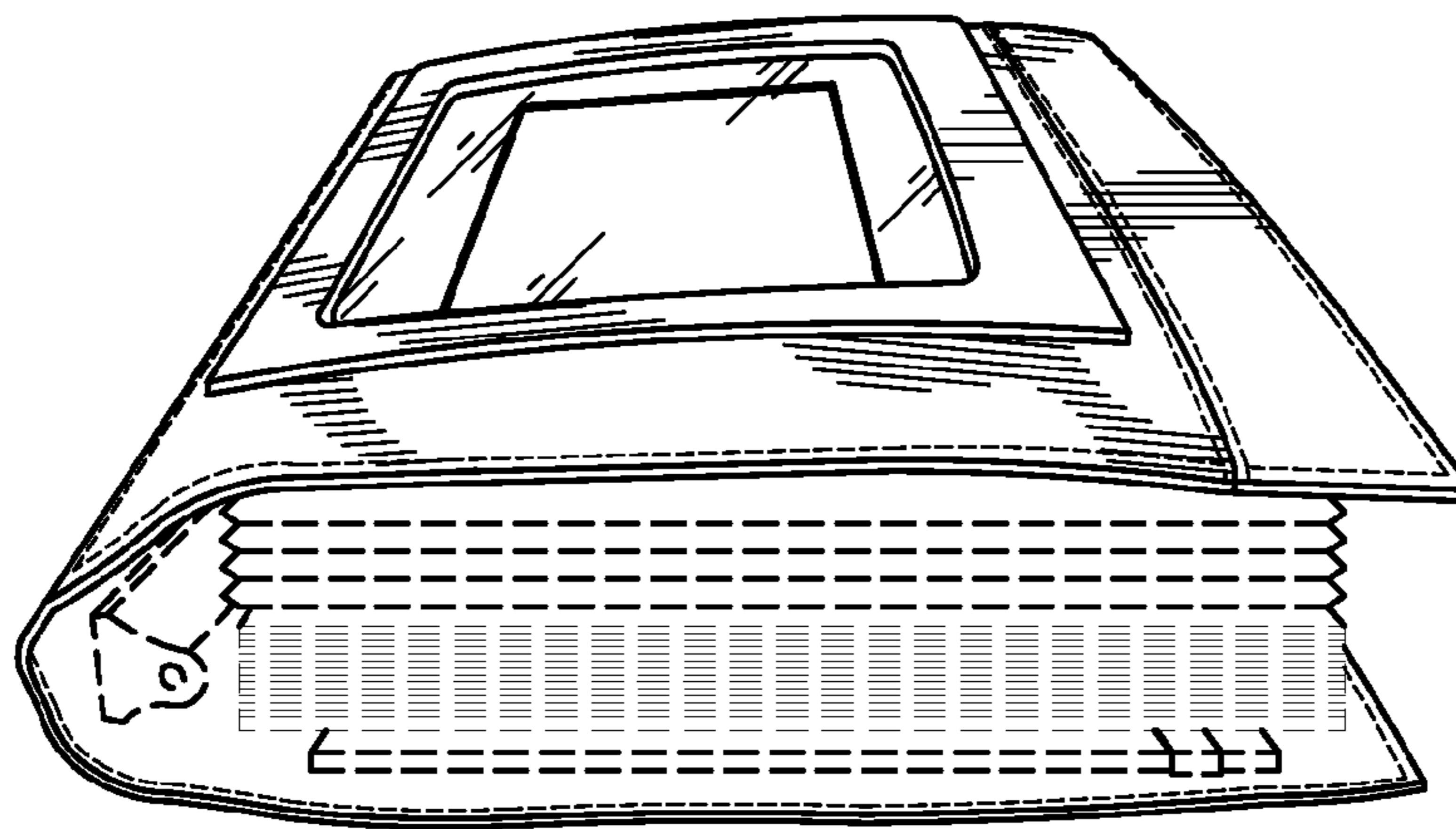


FIG. 2

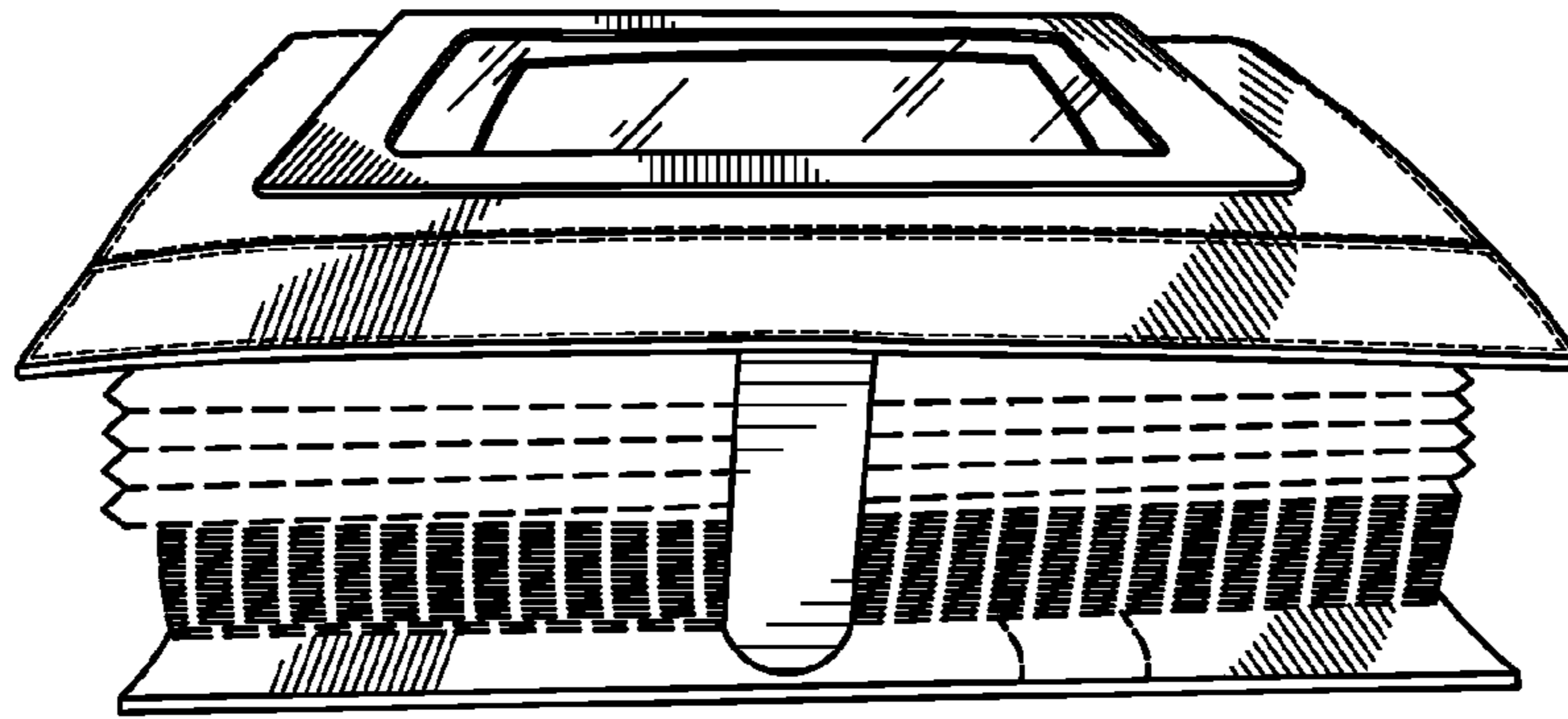


FIG. 3

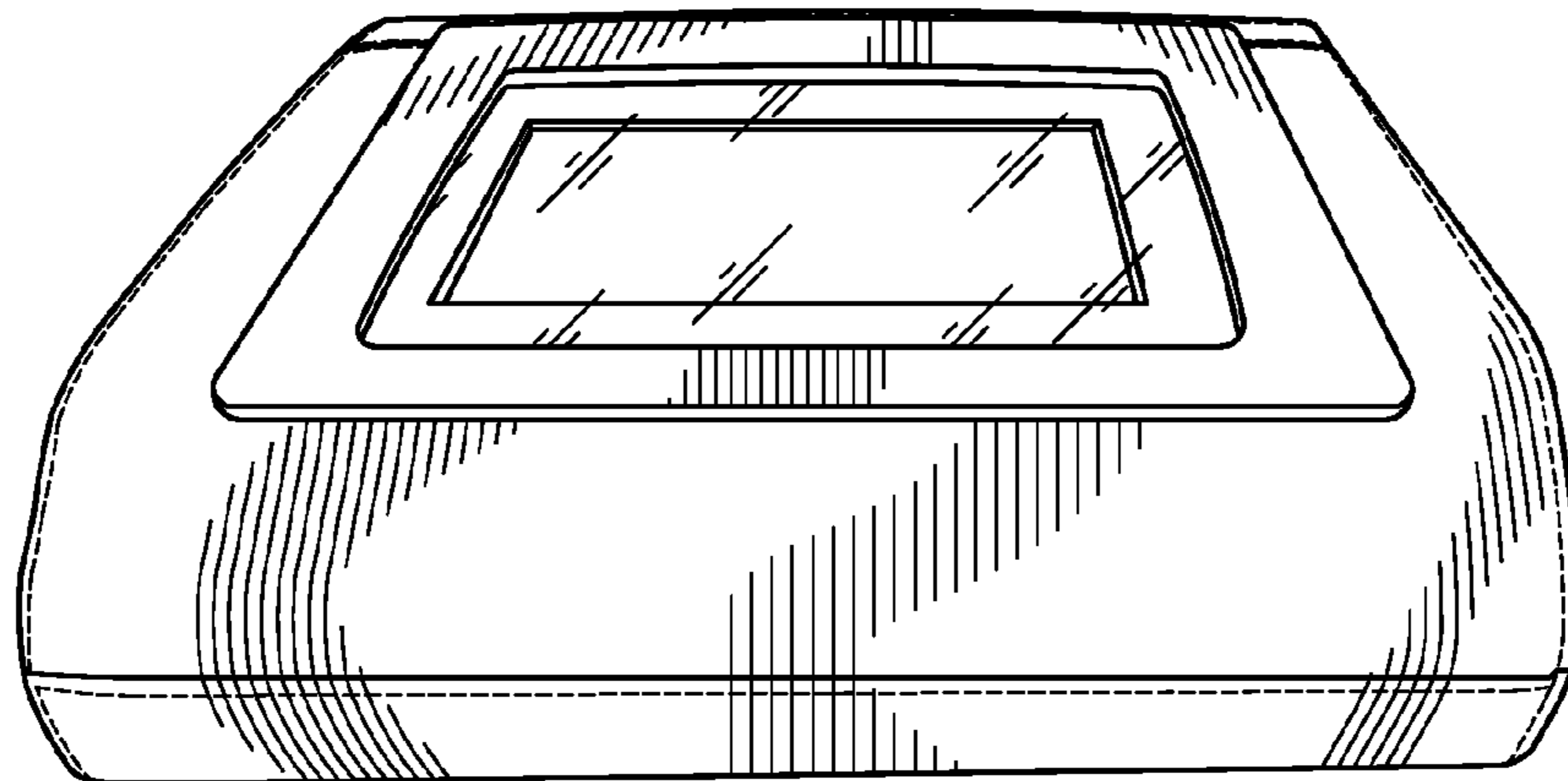


FIG. 4

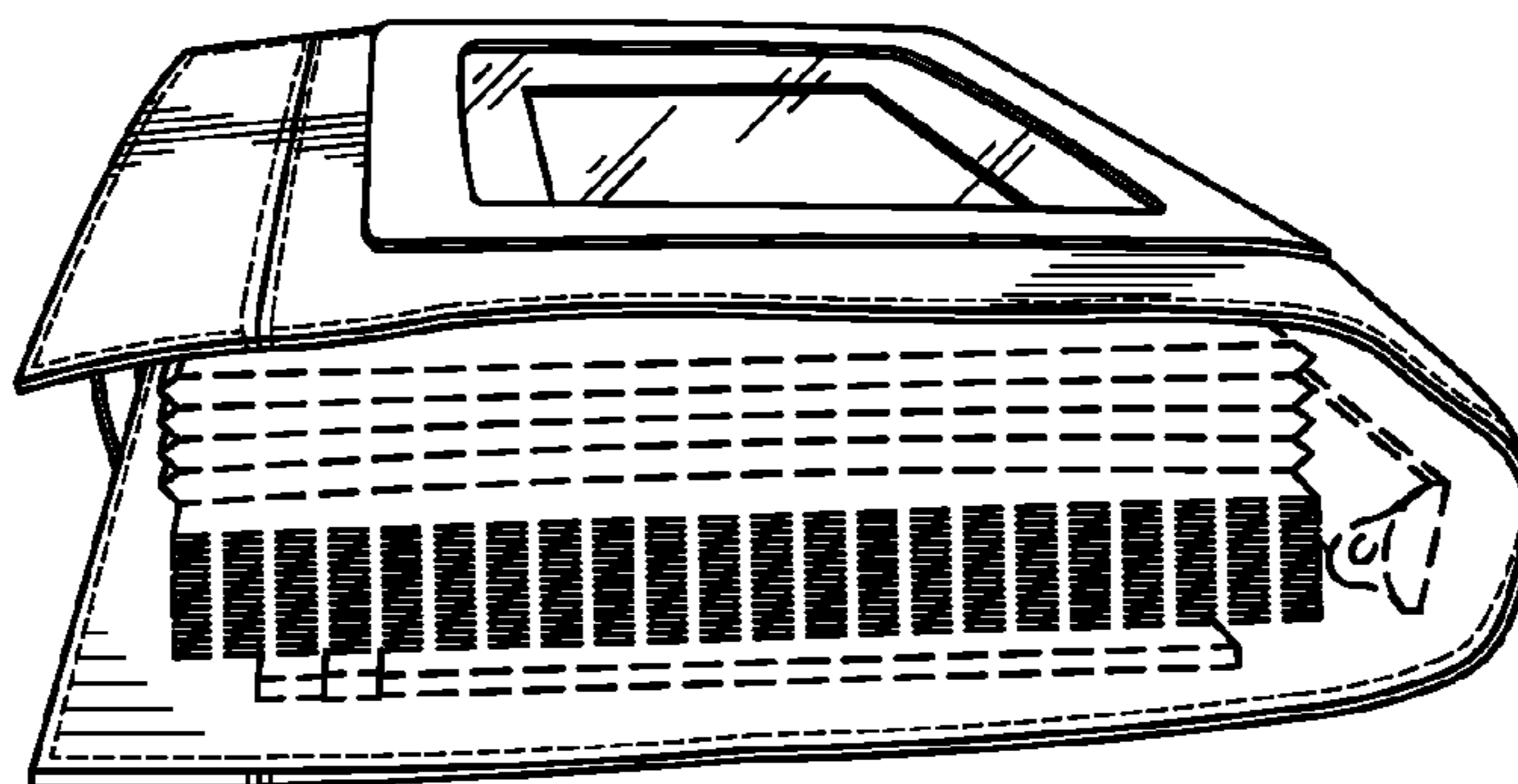


FIG. 5

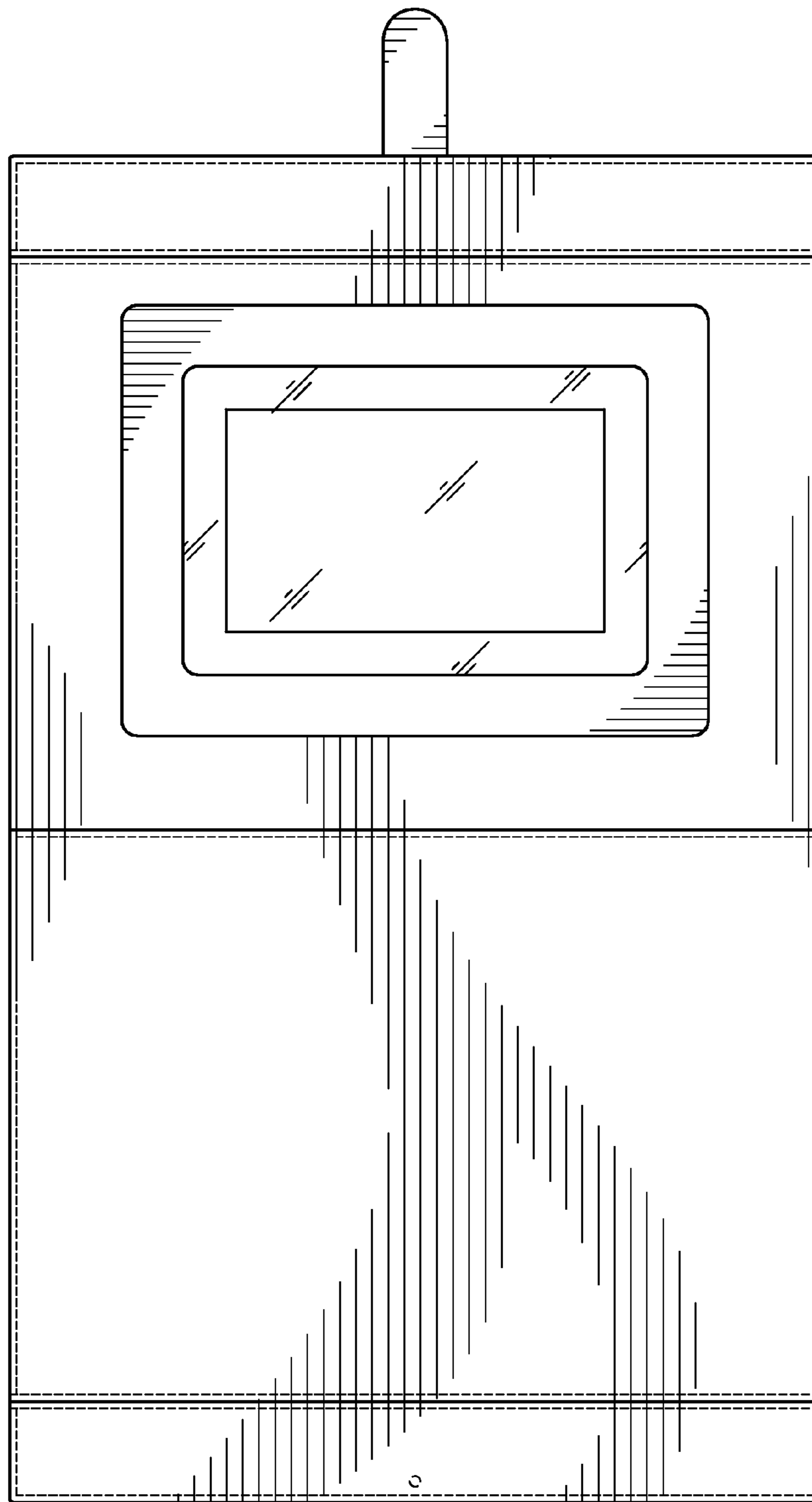


FIG. 6

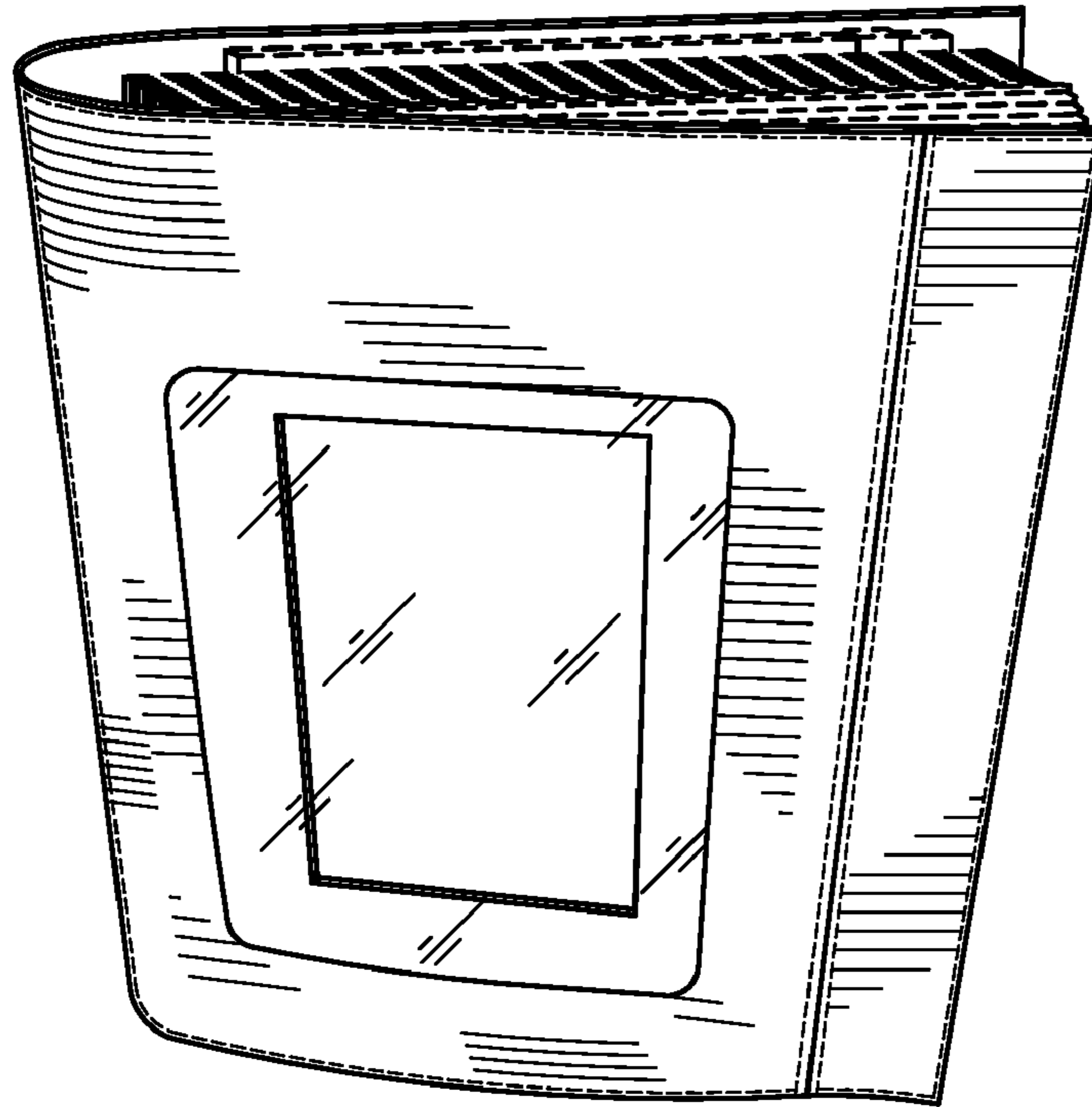


FIG. 7

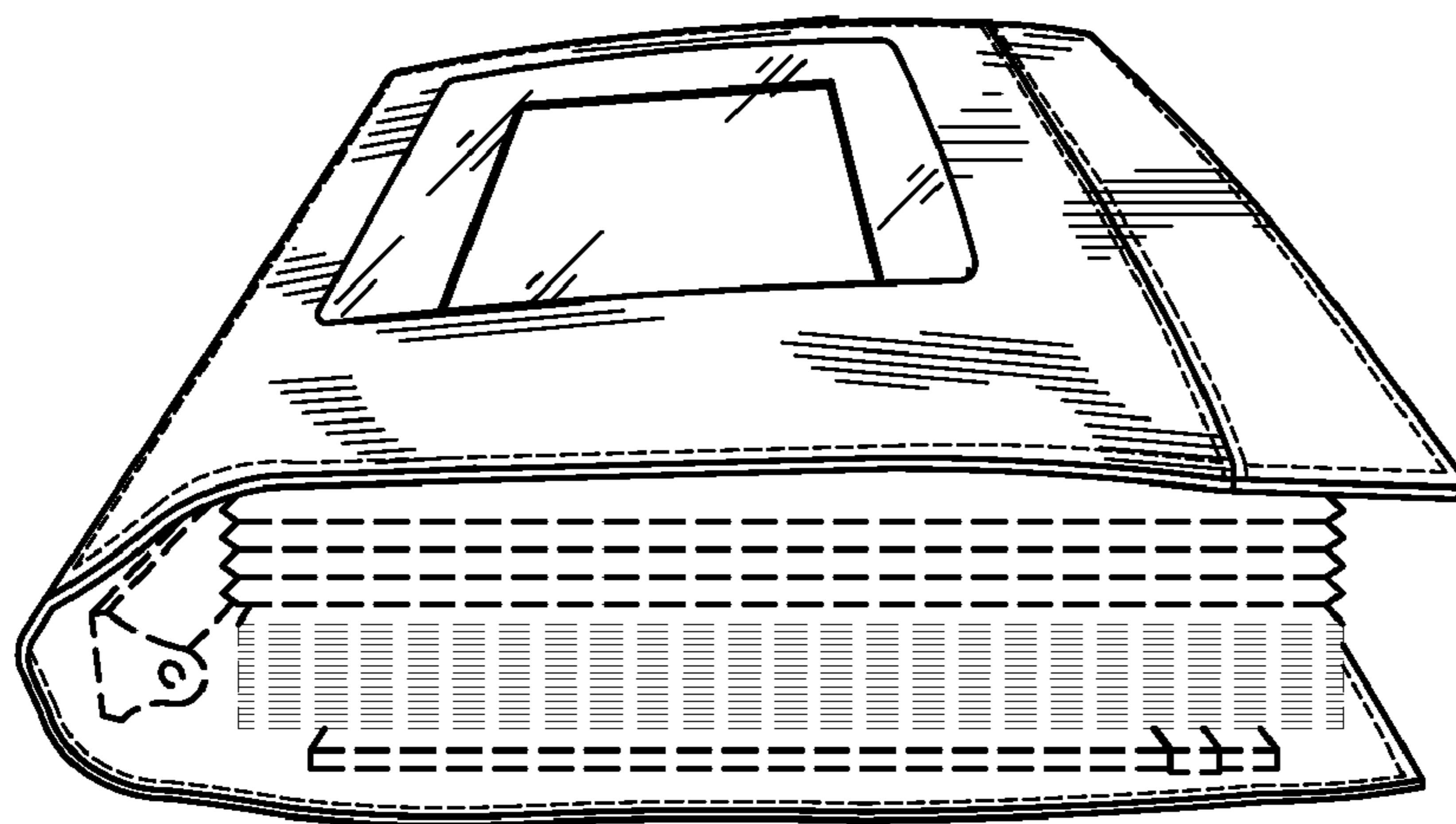


FIG. 8

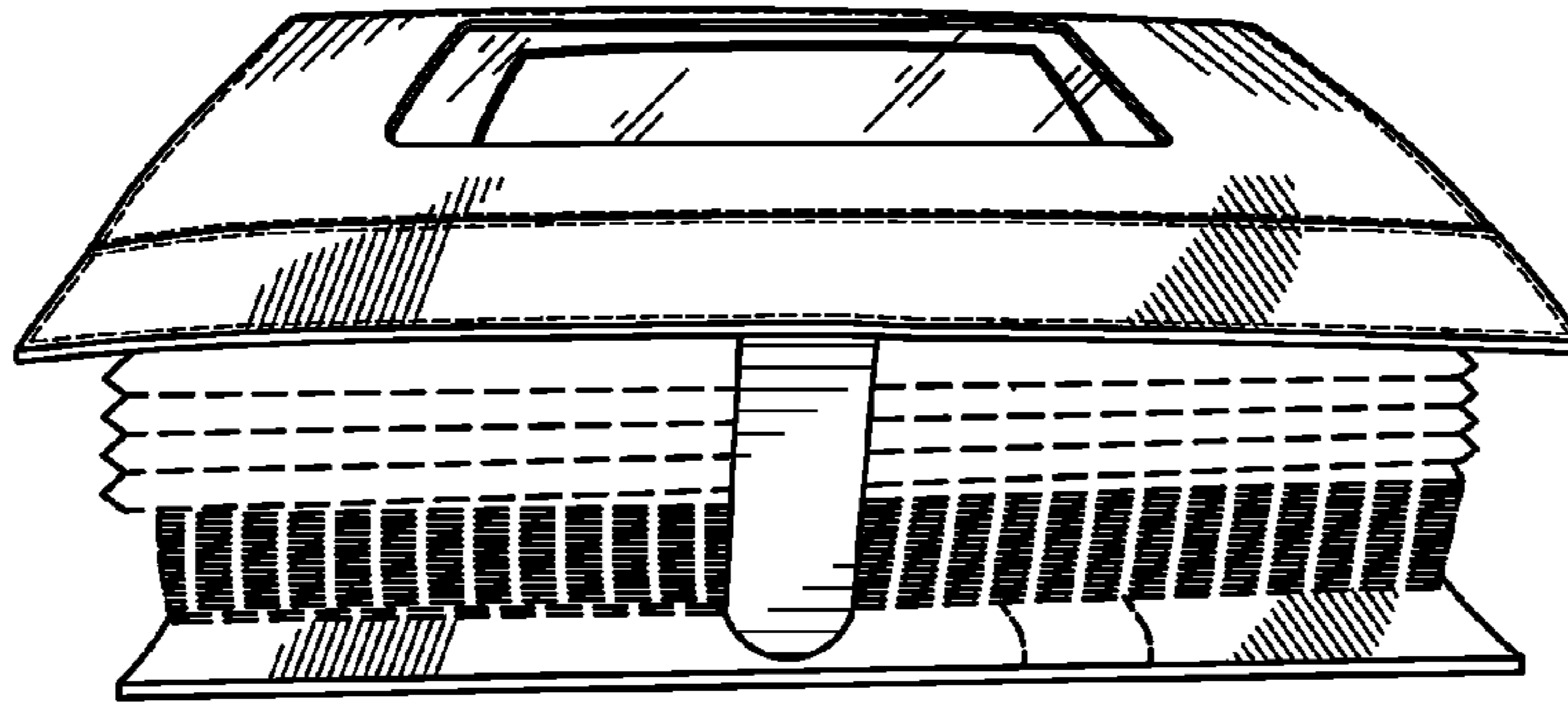


FIG. 9

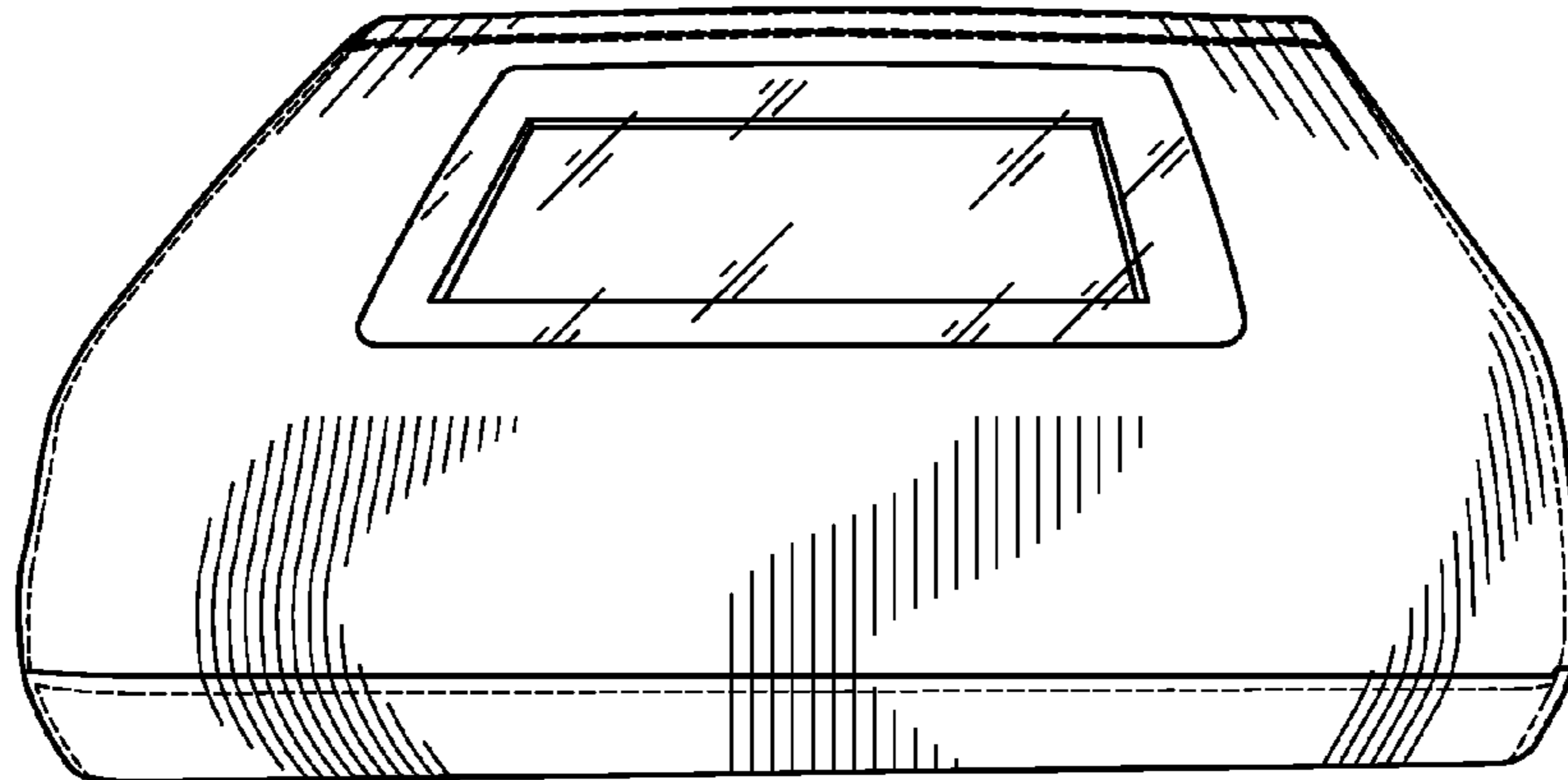


FIG. 10

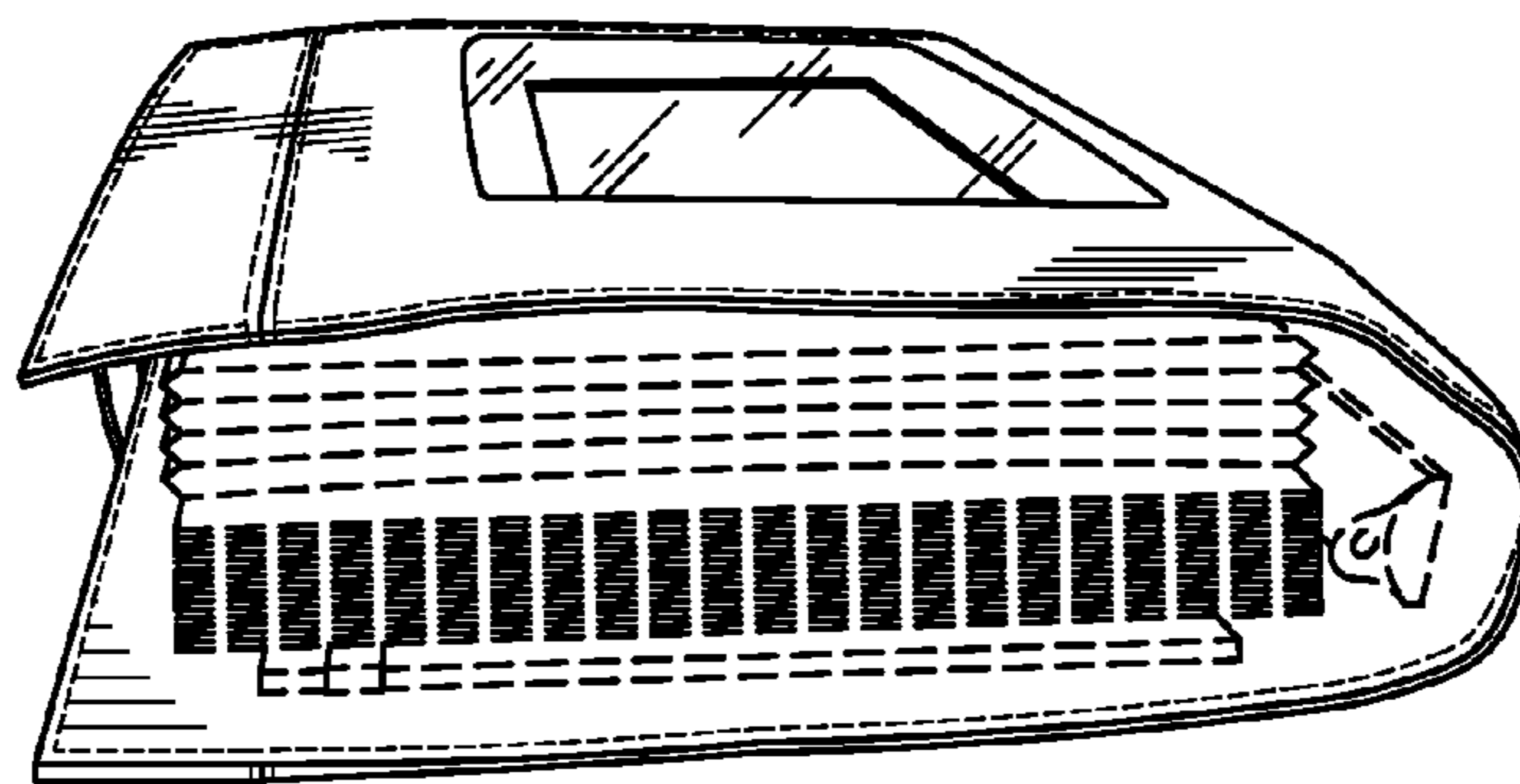


FIG. 11

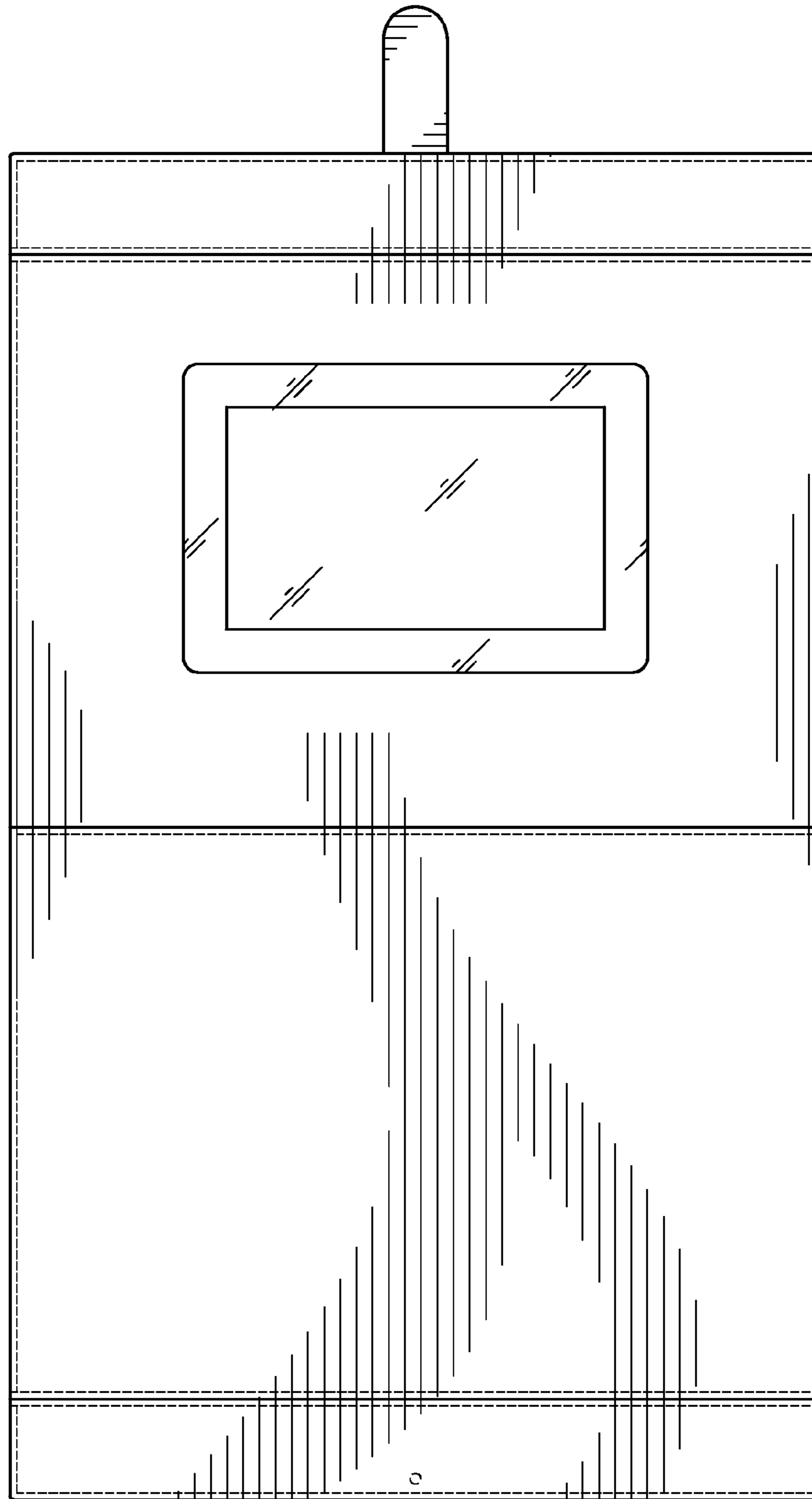


FIG. 12