



US00D629842S

(12) **United States Design Patent**
Lapsker

(10) **Patent No.:** **US D629,842 S**

(45) **Date of Patent:** **** *Dec. 28, 2010**

(54) **PORTFOLIO**

(75) Inventor: **Joshua Lapsker**, Christ Church (BB)

(73) Assignee: **Calypso International Inc.**, St. Michael, Bridgetown (BB)

(*) Notice: This patent is subject to a terminal disclaimer.

(**) Term: **14 Years**

(21) Appl. No.: **29/301,756**

(22) Filed: **Mar. 14, 2008**

(51) **LOC (9) Cl.** **19-04**

(52) **U.S. Cl.** **D19/26**

(58) **Field of Classification Search** D3/284–285,
D3/287, 289, 301, 303, 900; D19/26–27,
D19/75, 78, 86, 88; 283/63.1; 281/3.1, 15.1,
281/19.1, 29, 31, 51; 383/38, 97; 190/111,
190/114–115, 117

See application file for complete search history.

(56) **References Cited**

U.S. PATENT DOCUMENTS

D319,729 S * 9/1991 Kogutt D3/299
D325,393 S * 4/1992 Schertz et al. D19/26
D409,385 S * 5/1999 Pearson et al. D3/301

D421,526 S * 3/2000 Isaacson D3/303
D500,204 S * 12/2004 Hillman D3/301
D513,038 S * 12/2005 Ong D19/26
D526,018 S * 8/2006 Salander et al. D19/26

* cited by examiner

Primary Examiner—T. Chase Nelson

Assistant Examiner—Kathleen M Sims

(74) *Attorney, Agent, or Firm*—Hodgson Russ LLP

(57) **CLAIM**

I claim the ornamental design for a portfolio, as shown and described.

DESCRIPTION

FIG. 1 is a perspective view of a portfolio showing my new design;

FIG. 2 is a top plan view thereof;

FIG. 3 is a bottom plan view thereof;

FIG. 4 is a rear elevational view thereof;

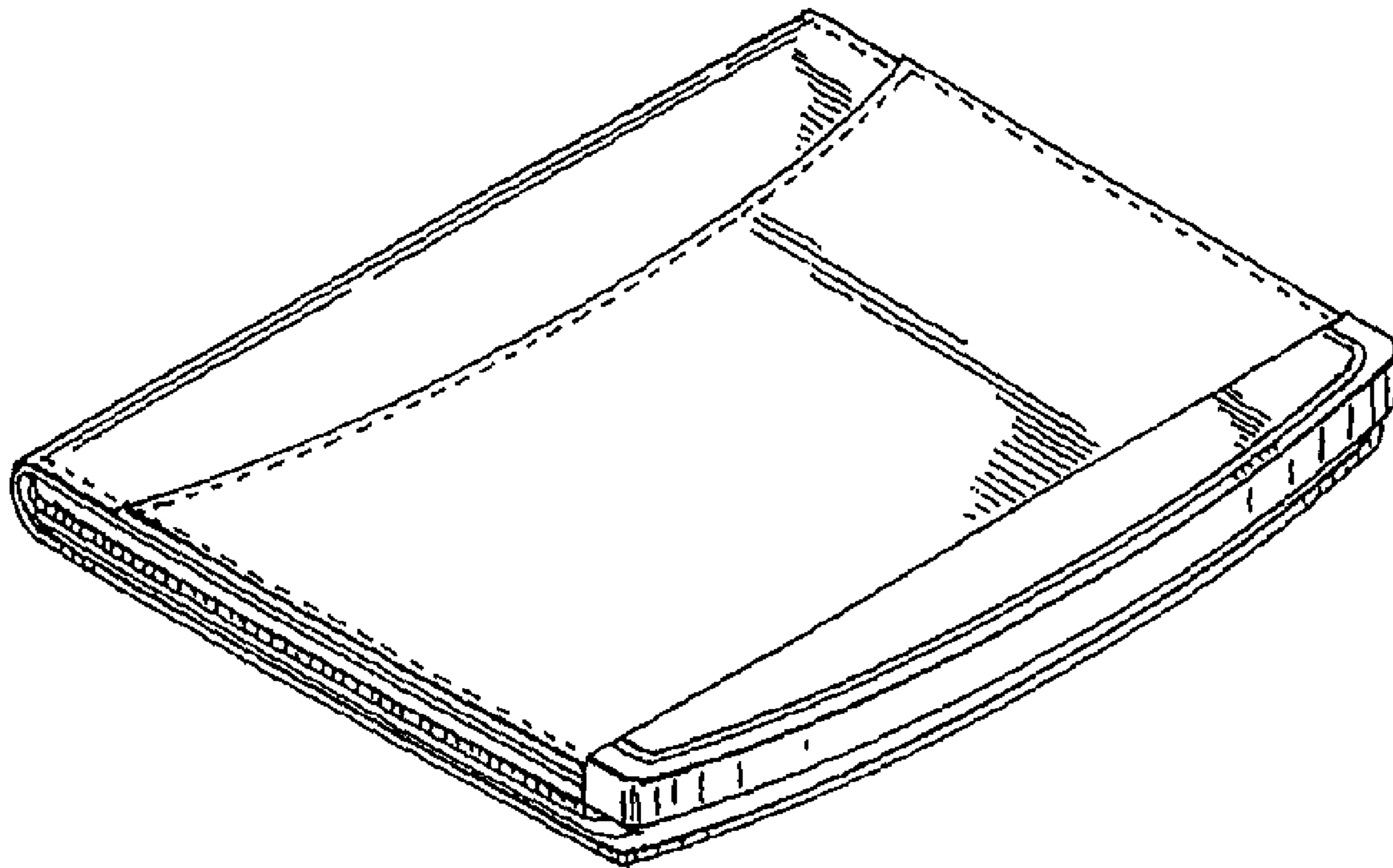
FIG. 5 is a front elevational view thereof;

FIG. 6 is a right-hand side elevational view thereof; and,

FIG. 7 is a left-hand side elevational view thereof.

The evenly spaced dashed lines shown in FIGS. 1, 2, 3, and 7 represent stitching and are part of the claimed design.

1 Claim, 3 Drawing Sheets



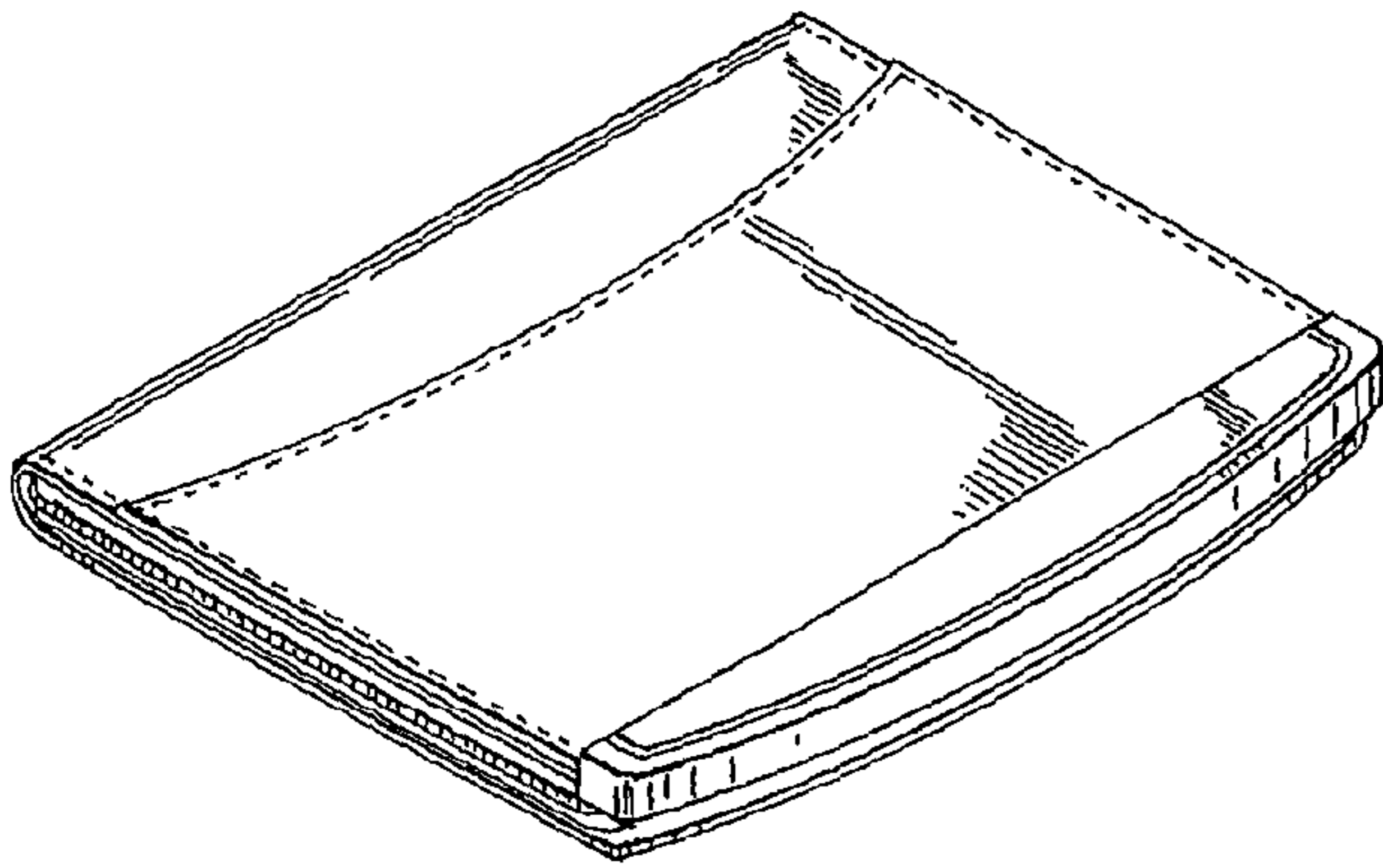


FIG. 1

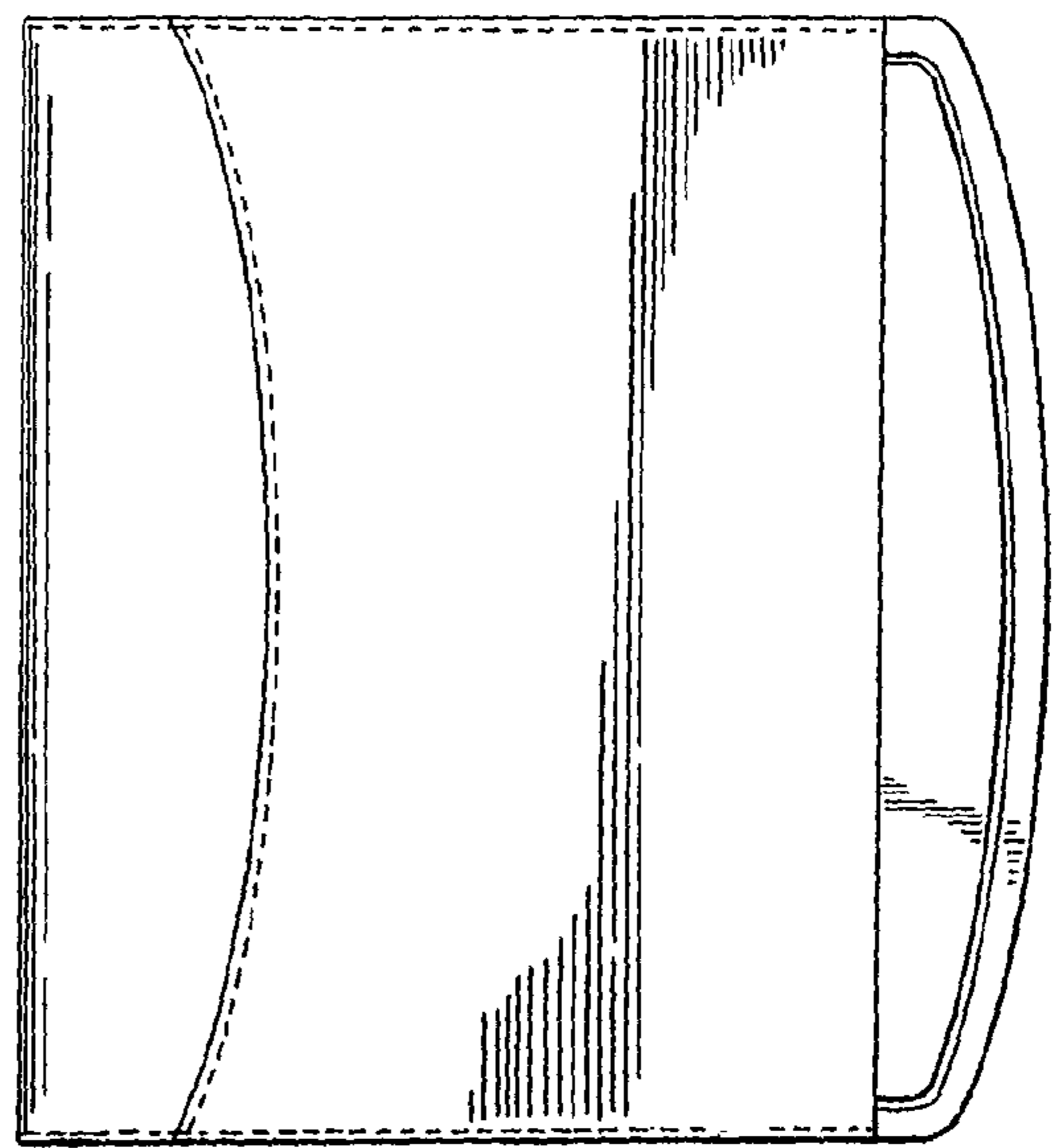


FIG. 2

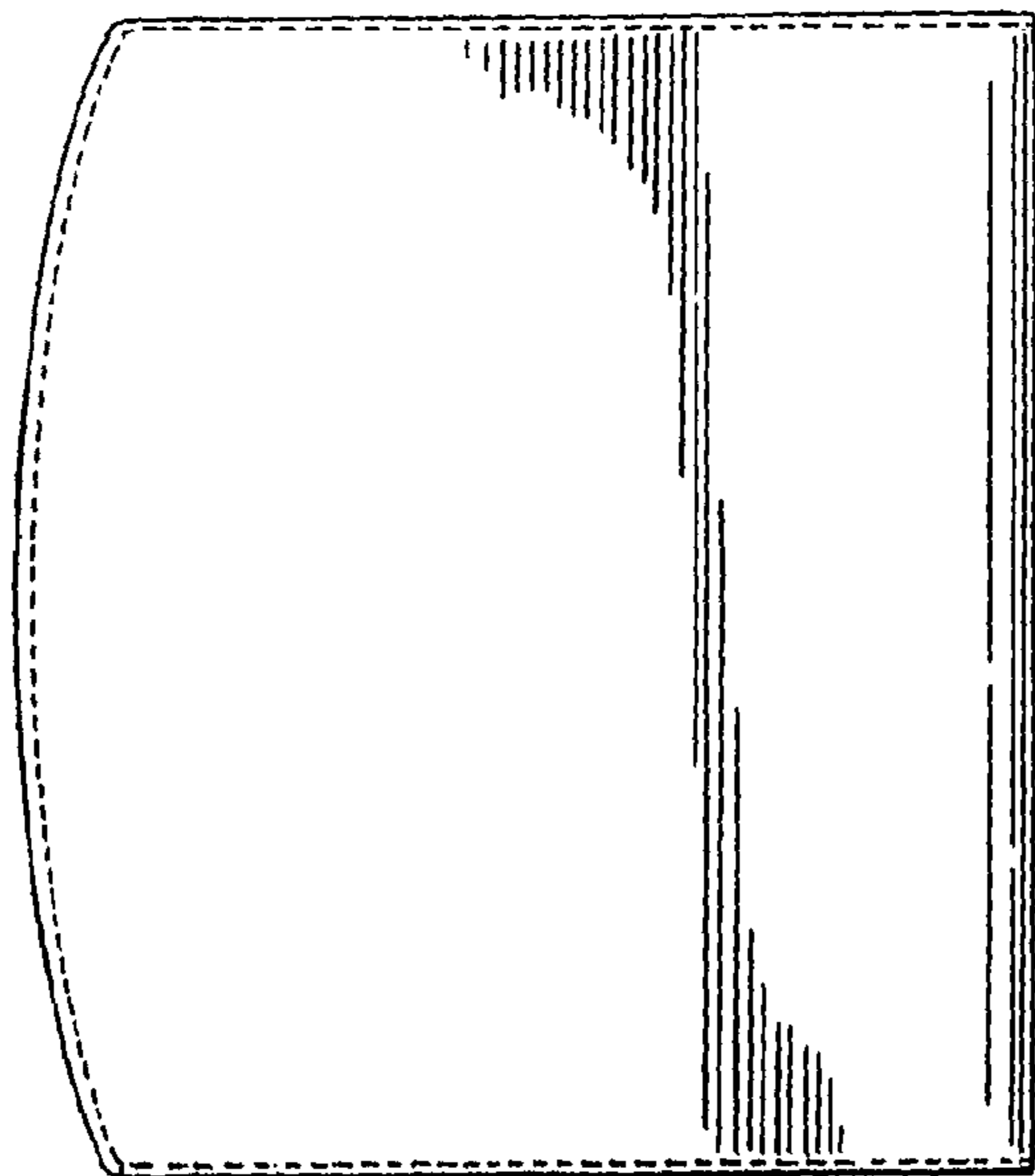


FIG. 3

FIG. 4

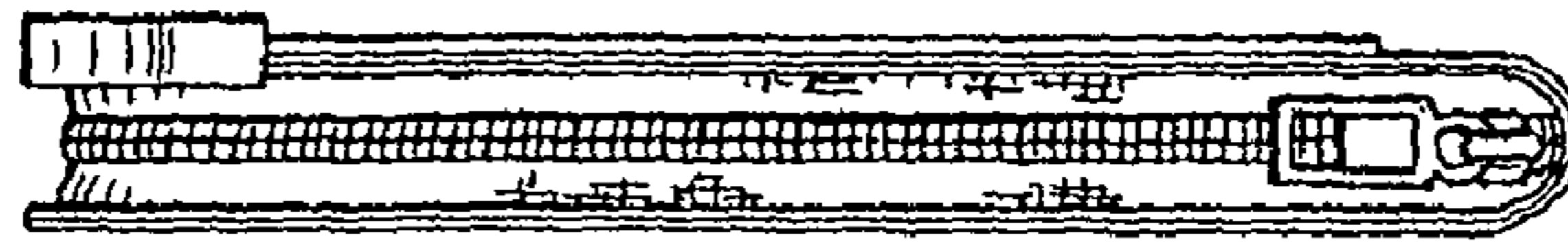


FIG. 5

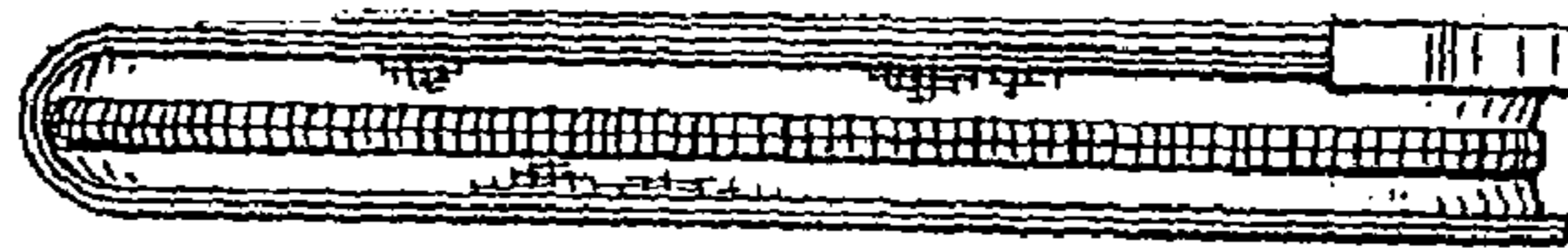


FIG. 6

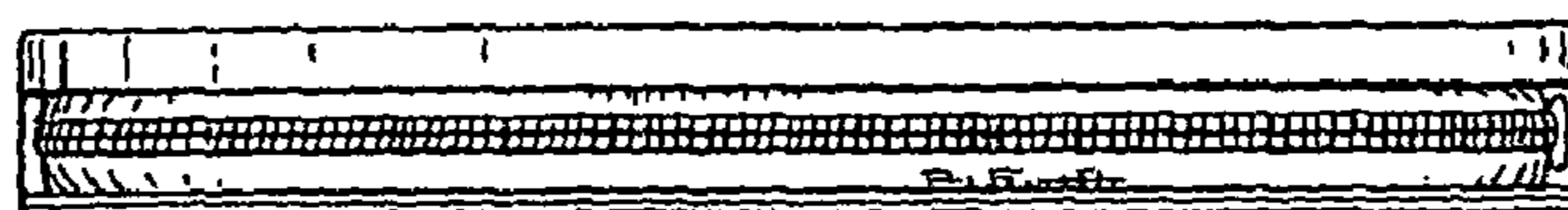


FIG. 7

