



US00D629840S

(12) **United States Design Patent**  
**Terenzio et al.**

(10) **Patent No.:** **US D629,840 S**

(45) **Date of Patent:** **\*\* Dec. 28, 2010**

(54) **PRINTER INPUT ACCESSORY**

(75) Inventors: **Dennis M. Terenzio**, Boise, ID (US);  
**Michael V. Leman**, Eagle, ID (US)

(73) Assignee: **Hewlett-Packard Development Company, L.P.**, Houston, TX (US)

(\*\*) Term: **14 Years**

(21) Appl. No.: **29/331,542**

(22) Filed: **Jan. 27, 2009**

(51) **LOC (9) Cl.** ..... **18-99**

(52) **U.S. Cl.** ..... **D18/49**

(58) **Field of Classification Search** ..... D18/36-41,  
D18/44-56; 222/DIG. 1; 271/3.14, 8.1,  
271/226, 278; 355/97, 98; 358/1.1; 399/1-7,  
399/16, 75, 81, 107, 130, 155, 361, 365,  
399/381-383, 388

See application file for complete search history.

(56) **References Cited**

**U.S. PATENT DOCUMENTS**

D488,831 S \* 4/2004 Whitehorn et al. .... D18/50  
D550,761 S \* 9/2007 Clark, III ..... D18/39  
D556,255 S \* 11/2007 Matsumoto ..... D18/50  
D573,176 S \* 7/2008 Isogai et al. .... D18/39  
D573,177 S \* 7/2008 Isogai et al. .... D18/39  
D578,154 S \* 10/2008 Isogai et al. .... D18/40

D579,490 S \* 10/2008 Laidlaw et al. .... D18/55  
D584,349 S \* 1/2009 Tani ..... D18/55  
D599,398 S \* 9/2009 Laidlaw et al. .... D18/53  
2006/0008292 A1 \* 1/2006 Watanabe ..... 399/107  
2009/0245906 A1 \* 10/2009 Jeong et al. .... 399/388

\* cited by examiner

*Primary Examiner*—Garth Rademaker

(57) **CLAIM**

We claim the ornamental design for a printer input accessory, as shown and described.

**DESCRIPTION**

FIG. 1 is a front, right, bottom perspective view of a printer input accessory;

FIG. 2 is a front view thereof;

FIG. 3 is a rear view thereof;

FIG. 4 is a right view thereof;

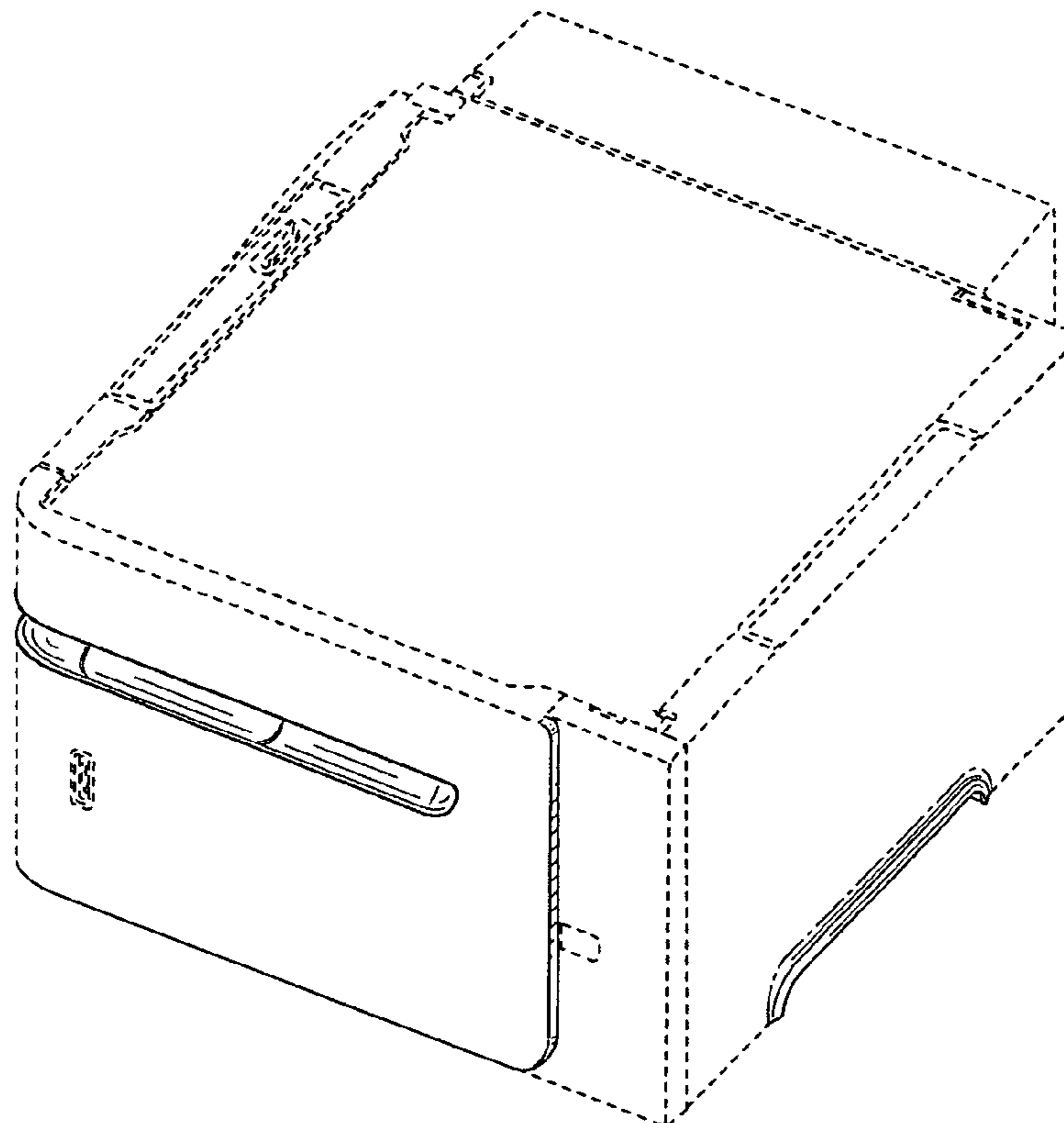
FIG. 5 is a left view thereof;

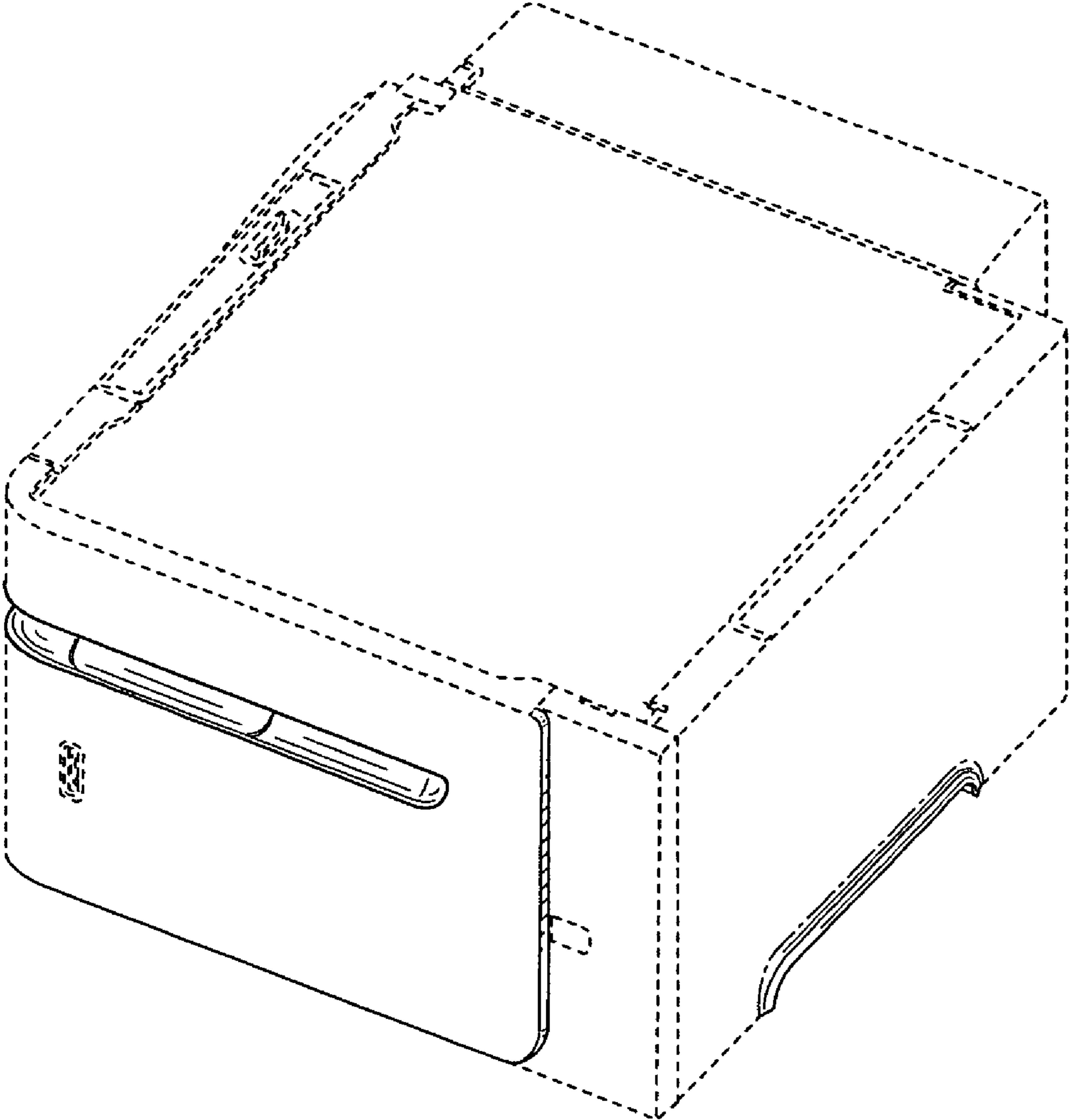
FIG. 6 is a bottom view thereof; and,

FIG. 7 is a top view thereof.

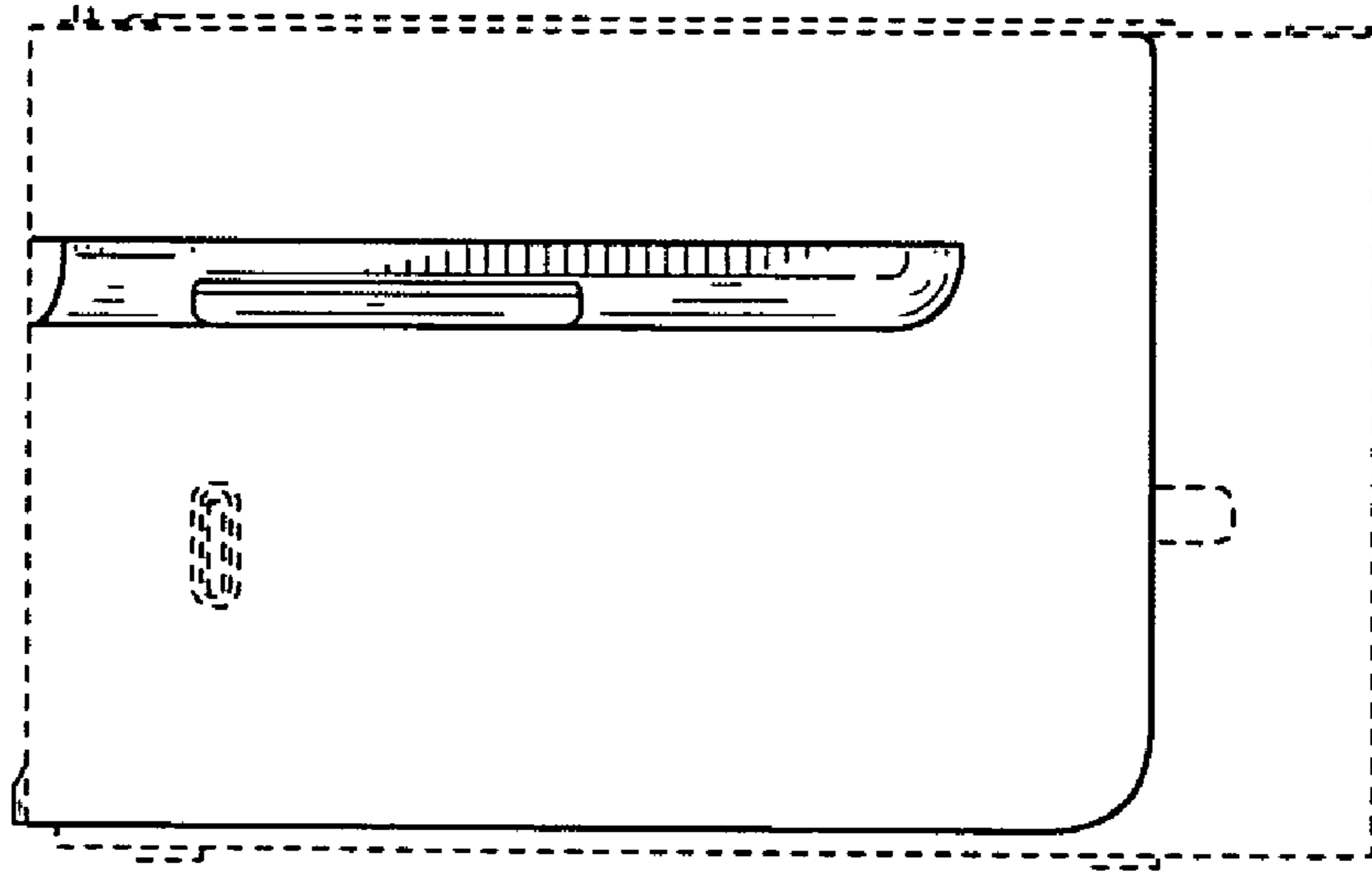
The dash-dash broken lines in the drawings are environmental lines while the short dash-long dash lines are boundary, neither of which form part of the claimed design.

**1 Claim, 4 Drawing Sheets**

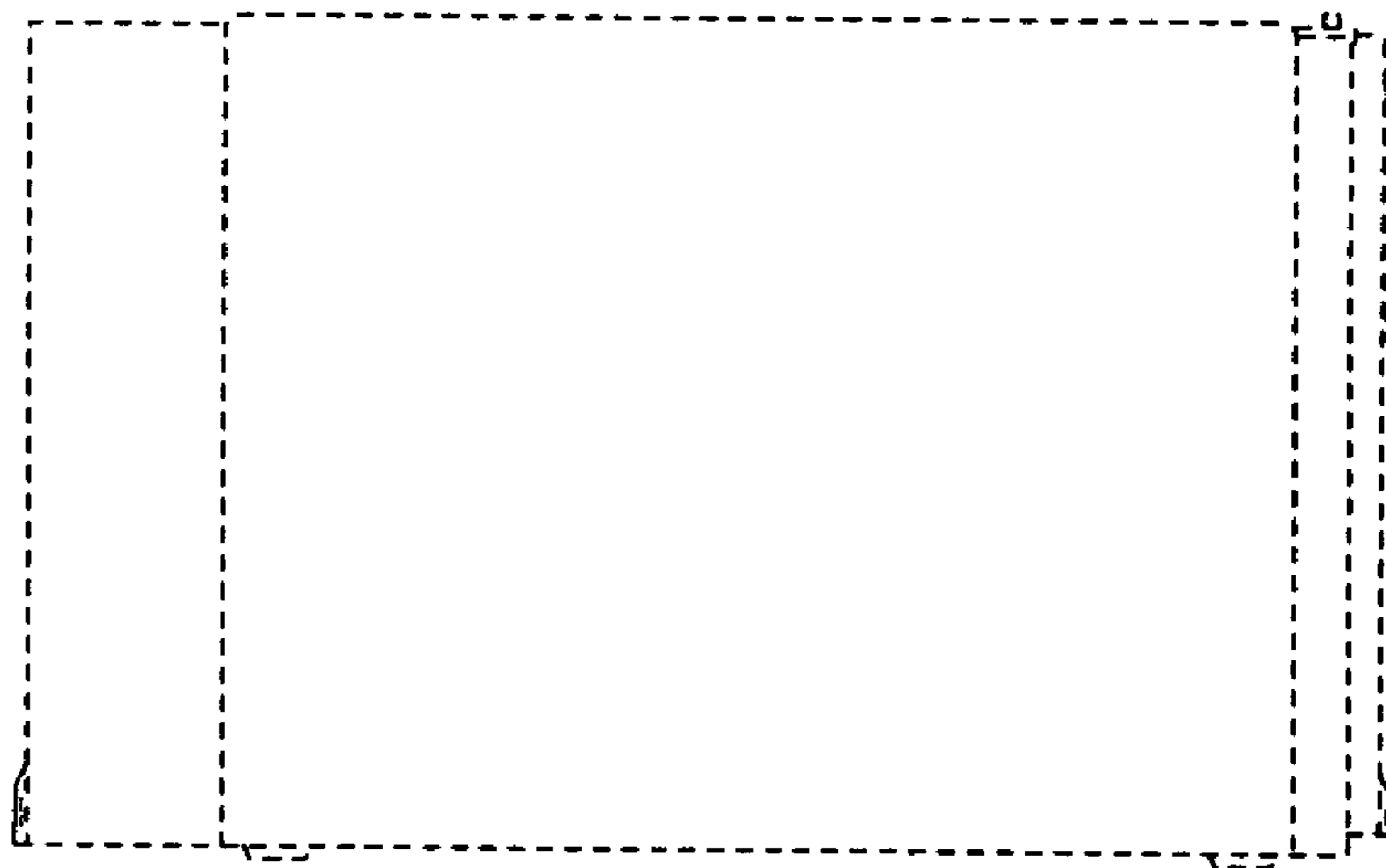




**FIG. 1**



**FIG. 2**



**FIG. 3**

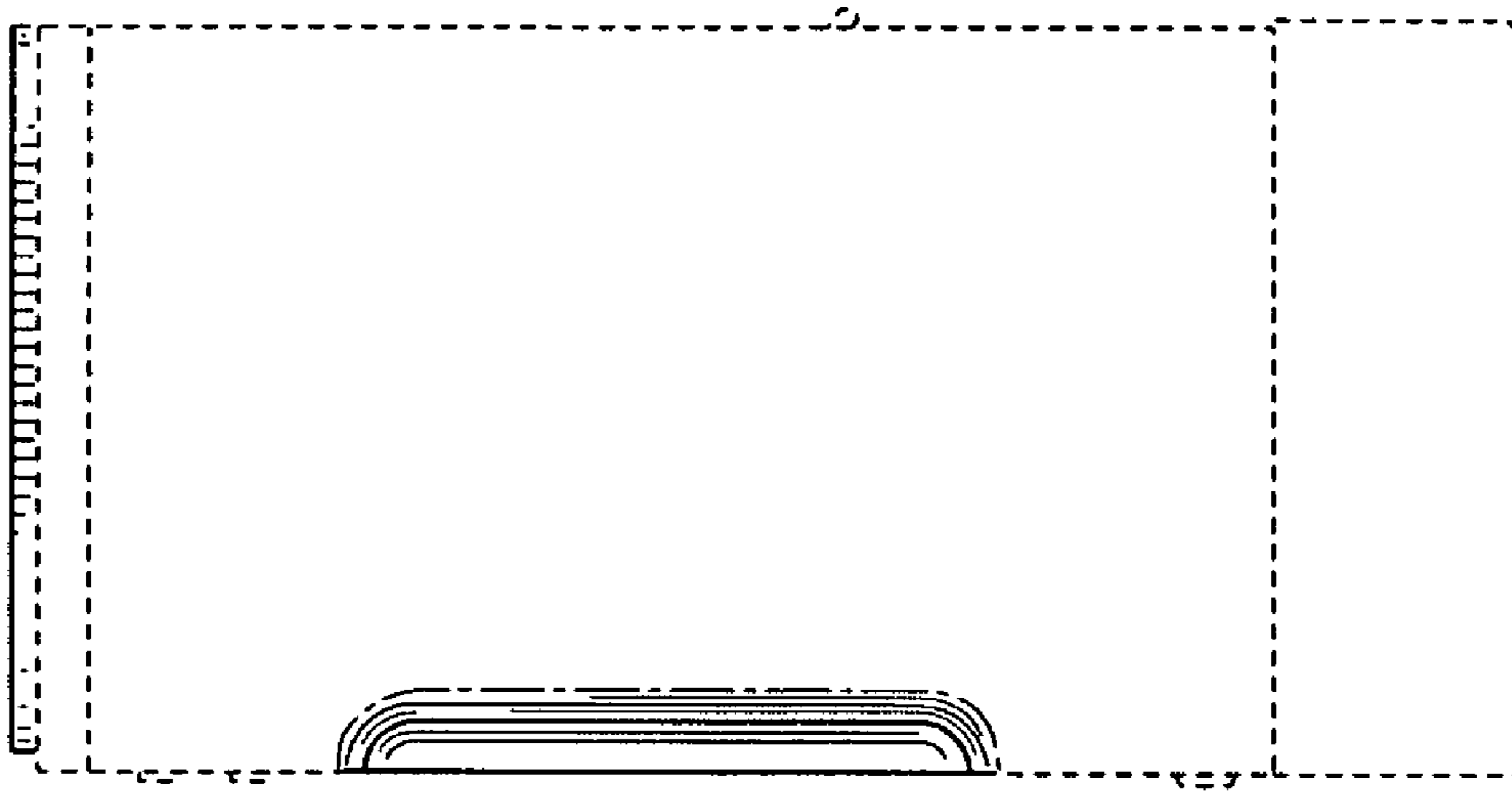


FIG. 4

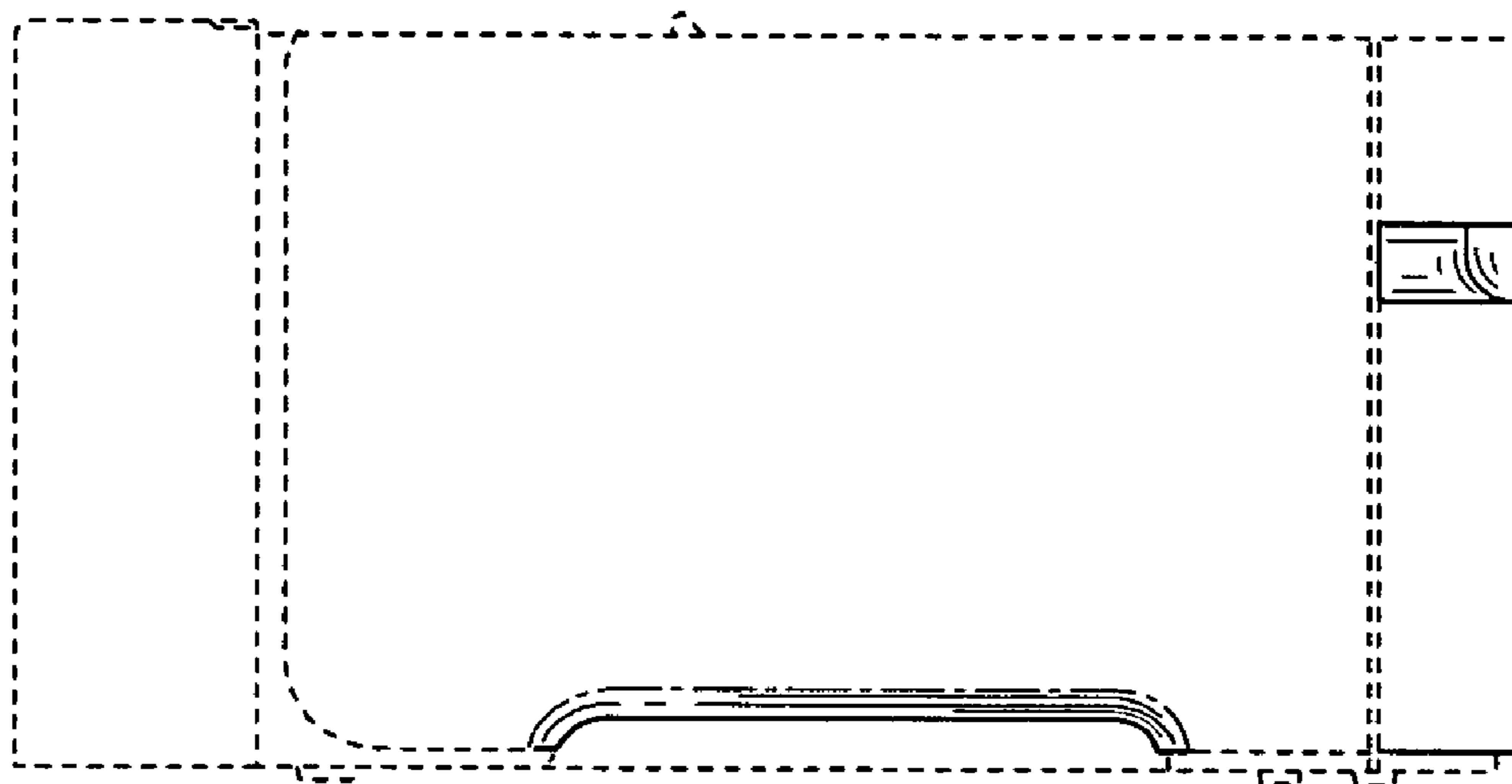


FIG. 5

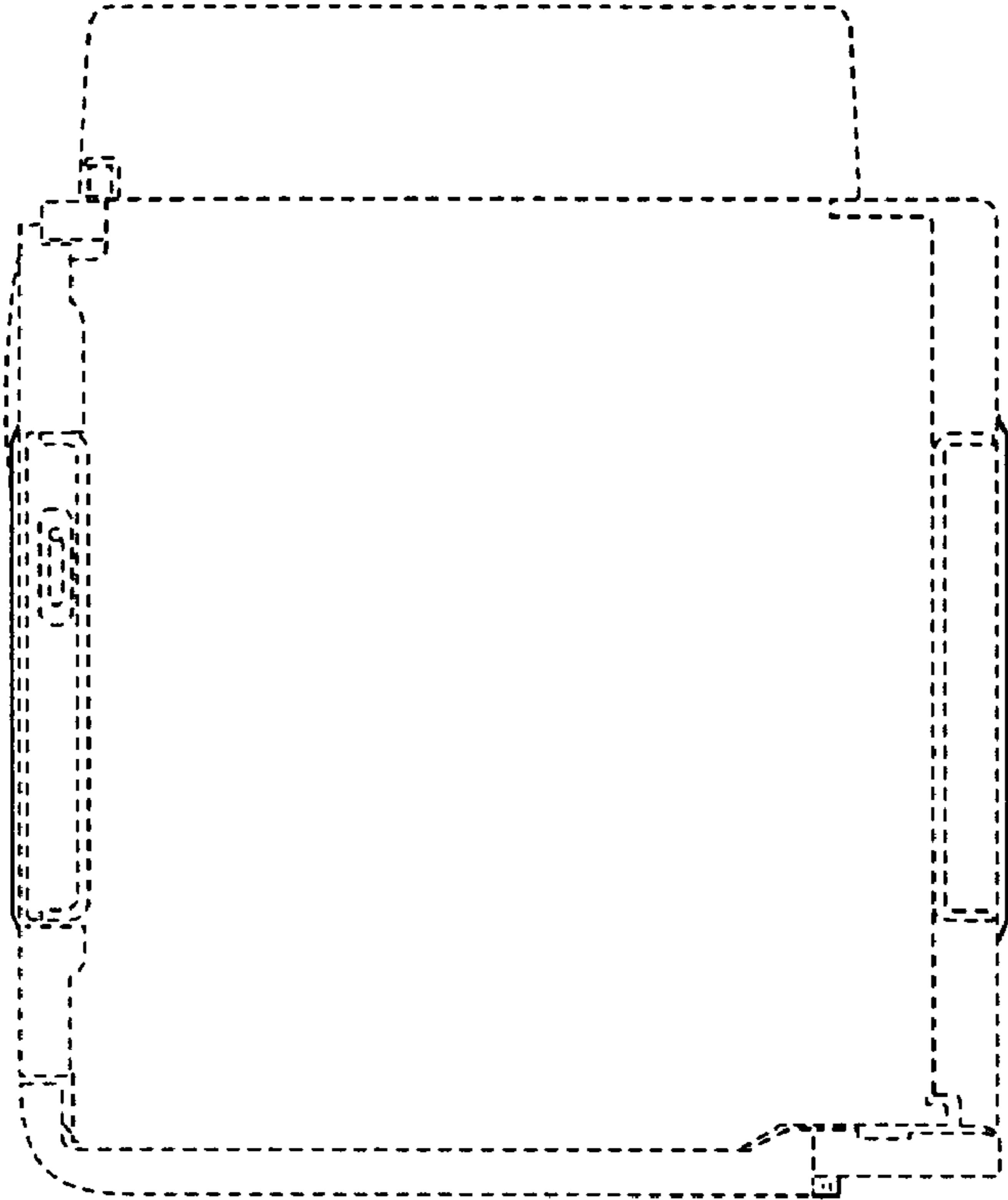


FIG. 6

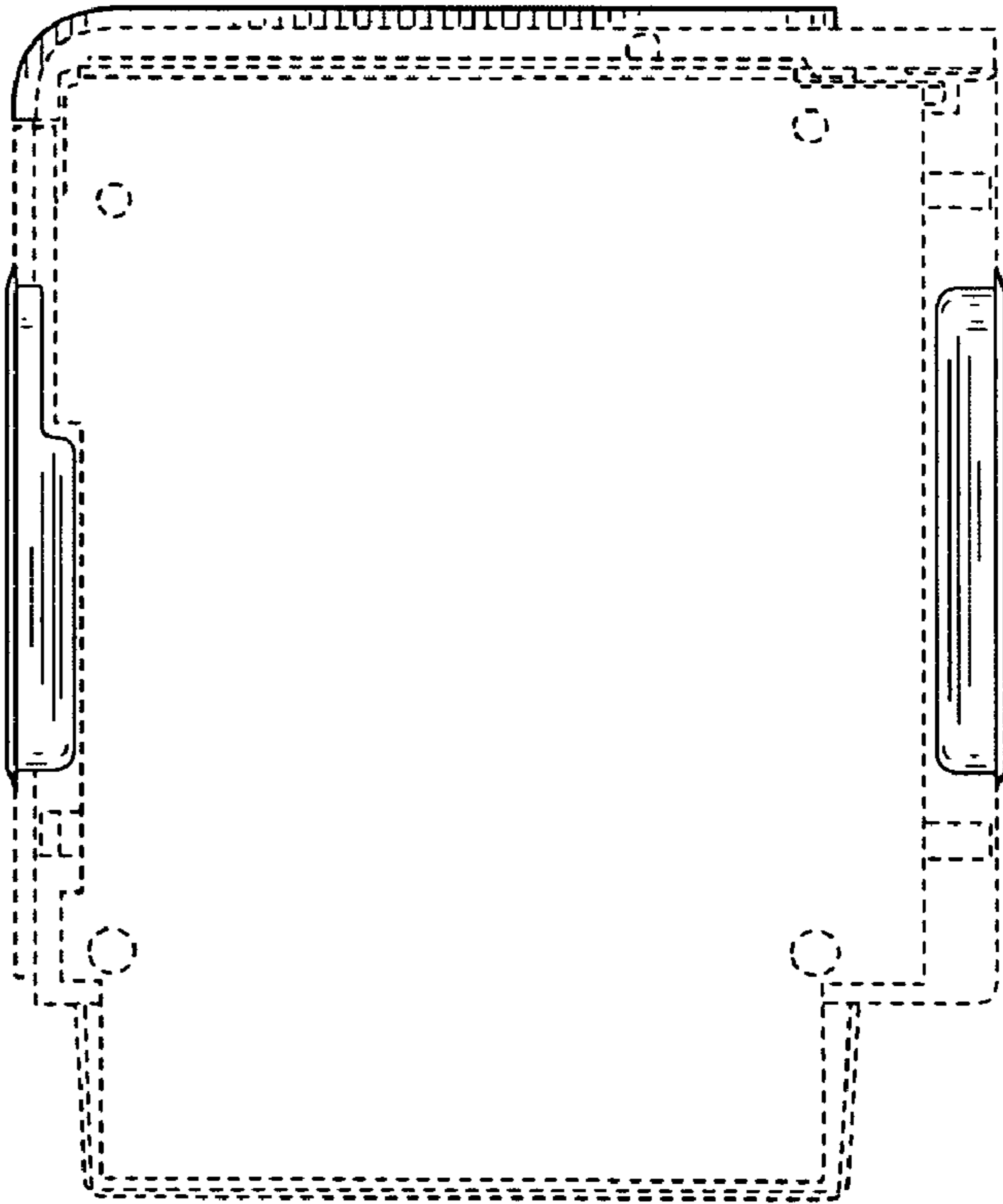


FIG. 7