



US00D629839S

(12) **United States Design Patent**  
**Hermann**

(10) **Patent No.:** **US D629,839 S**  
(45) **Date of Patent:** **\*\* Dec. 28, 2010**

(54) **LABELING MACHINE**

(75) Inventor: **Martin Hermann**, Hirschhorn (DE)

(73) Assignee: **K-D Hermann GmbH**  
**Contact-Preisauszeichnung-Etikettiersysteme,**  
Hirschhorn (DE)

(\*\*) Term: **14 Years**

(21) Appl. No.: **29/315,175**

(22) Filed: **Jun. 2, 2009**

(30) **Foreign Application Priority Data**

Mar. 25, 2009 (EM) ..... 001114623-0001

(51) **LOC (9) Cl.** ..... **19-08**

(52) **U.S. Cl.** ..... **D18/19; D14/426**

(58) **Field of Classification Search** ..... D18/15-19,  
D18/50, 7; 400/462-470, 613.1-613.4; 156/384,  
156/DIG. 48, DIG. 49; D19/68

See application file for complete search history.

(56) **References Cited**

**U.S. PATENT DOCUMENTS**

- D250,060 S \* 10/1978 Sato ..... D18/19
- D253,243 S \* 10/1979 Sato ..... D18/19
- D266,096 S \* 9/1982 Becker ..... D18/19
- 4,369,086 A \* 1/1983 Nakahama et al. .... 156/403
- D269,527 S \* 6/1983 Becker ..... D18/19
- D272,365 S \* 1/1984 Becker et al. .... D18/19
- D272,453 S \* 1/1984 Wada ..... D18/19

- D278,832 S \* 5/1985 Wada ..... D18/19
- D292,102 S \* 9/1987 Takahashi ..... D18/19
- 4,699,685 A \* 10/1987 Sato ..... 156/384
- D295,534 S \* 5/1988 Brossard et al. .... D18/19
- D303,808 S \* 10/1989 Hermann ..... D18/19
- D365,597 S \* 12/1995 Patzak et al. .... D18/19
- 5,900,108 A \* 5/1999 Sekine ..... 156/384
- 6,311,753 B1 \* 11/2001 Kawada ..... 156/384

\* cited by examiner

*Primary Examiner*—Charles A Rademaker

(74) *Attorney, Agent, or Firm*—Walter A. Hackler

(57) **CLAIM**

The ornamental design for a labeling machine, as shown and described.

**DESCRIPTION**

FIG. 1 is a front perspective view of a labeling machine showing my new design;

FIG. 2 is a rear perspective thereof;

FIG. 3 is a right side elevation thereof;

FIG. 4 is a bottom thereof;

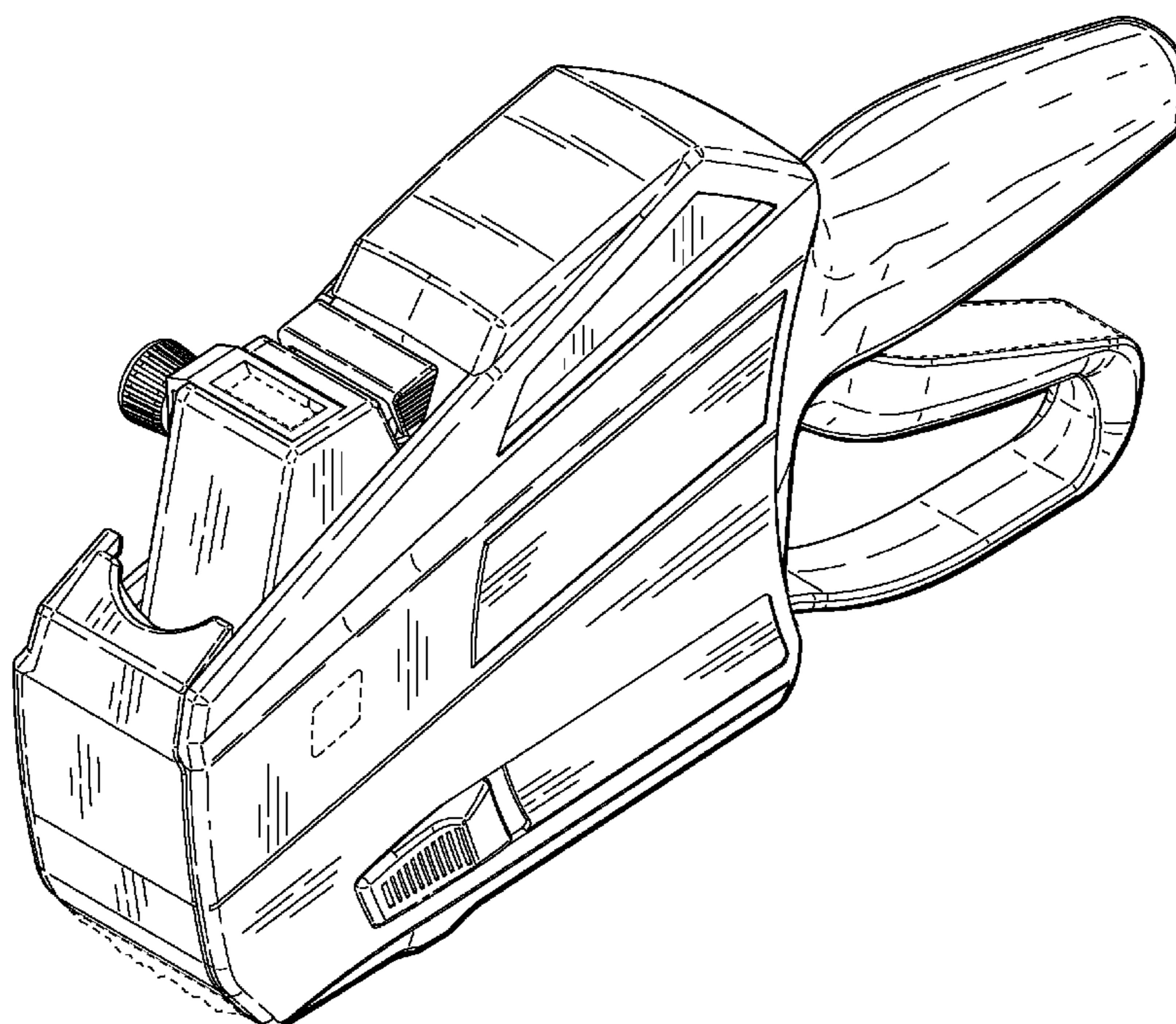
FIG. 5 is a top plan view thereof;

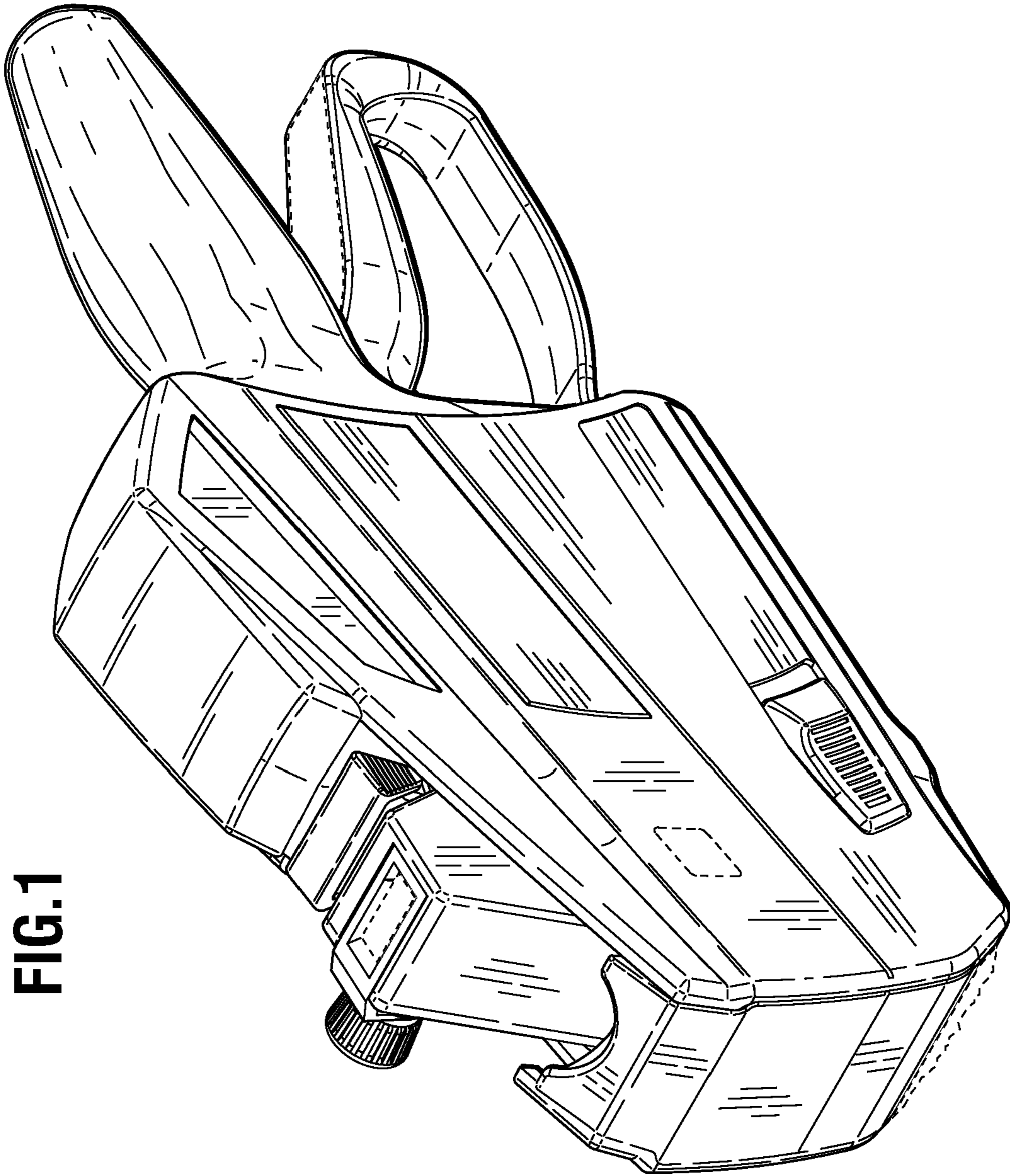
FIG. 6 is a left end elevation thereof; and,

FIG. 7 is a right end elevation thereof.

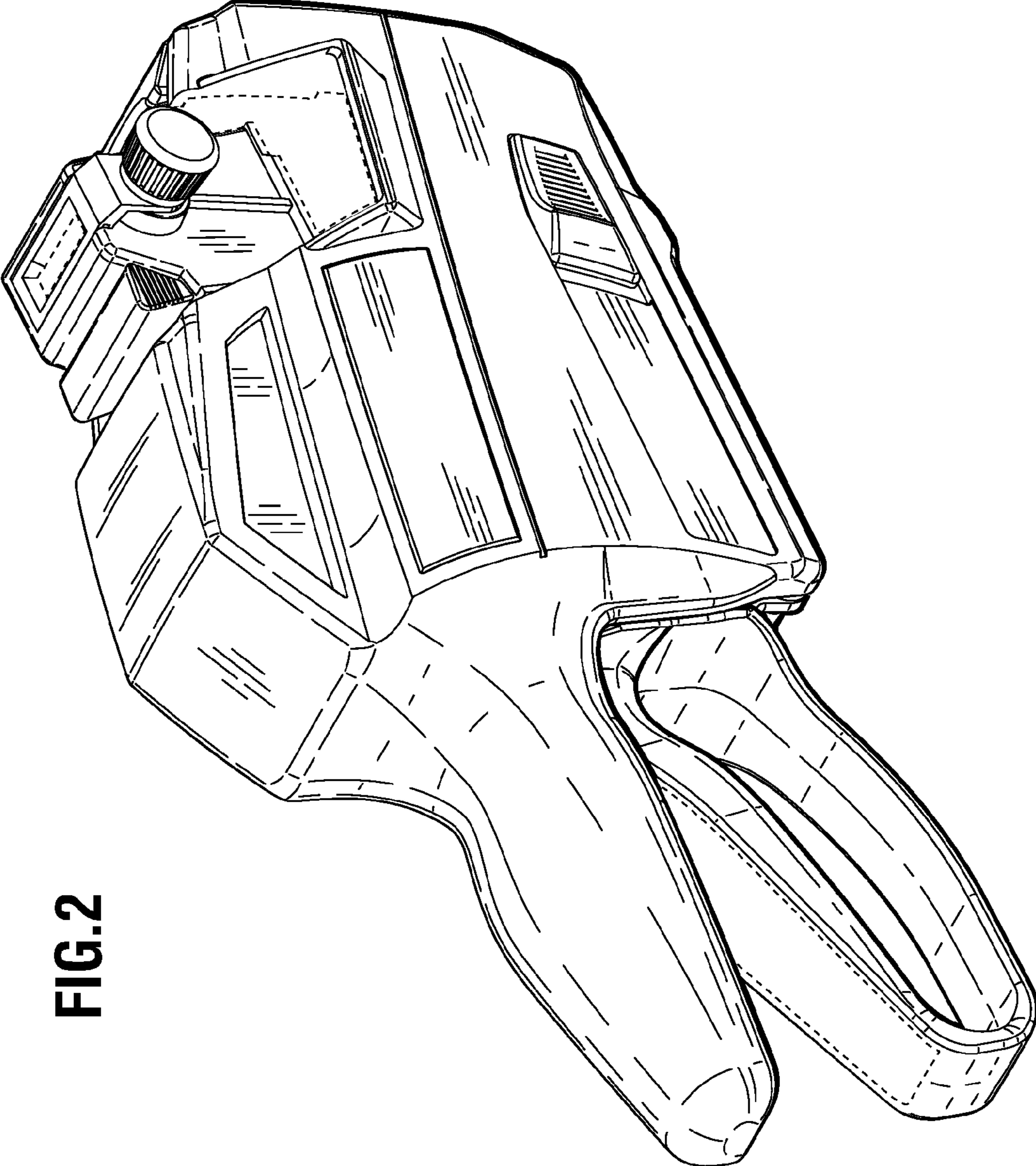
The broken lines shown in the figure drawings illustrate the boundaries of claimed subject matter forming no part of the claimed design.

**1 Claim, 5 Drawing Sheets**



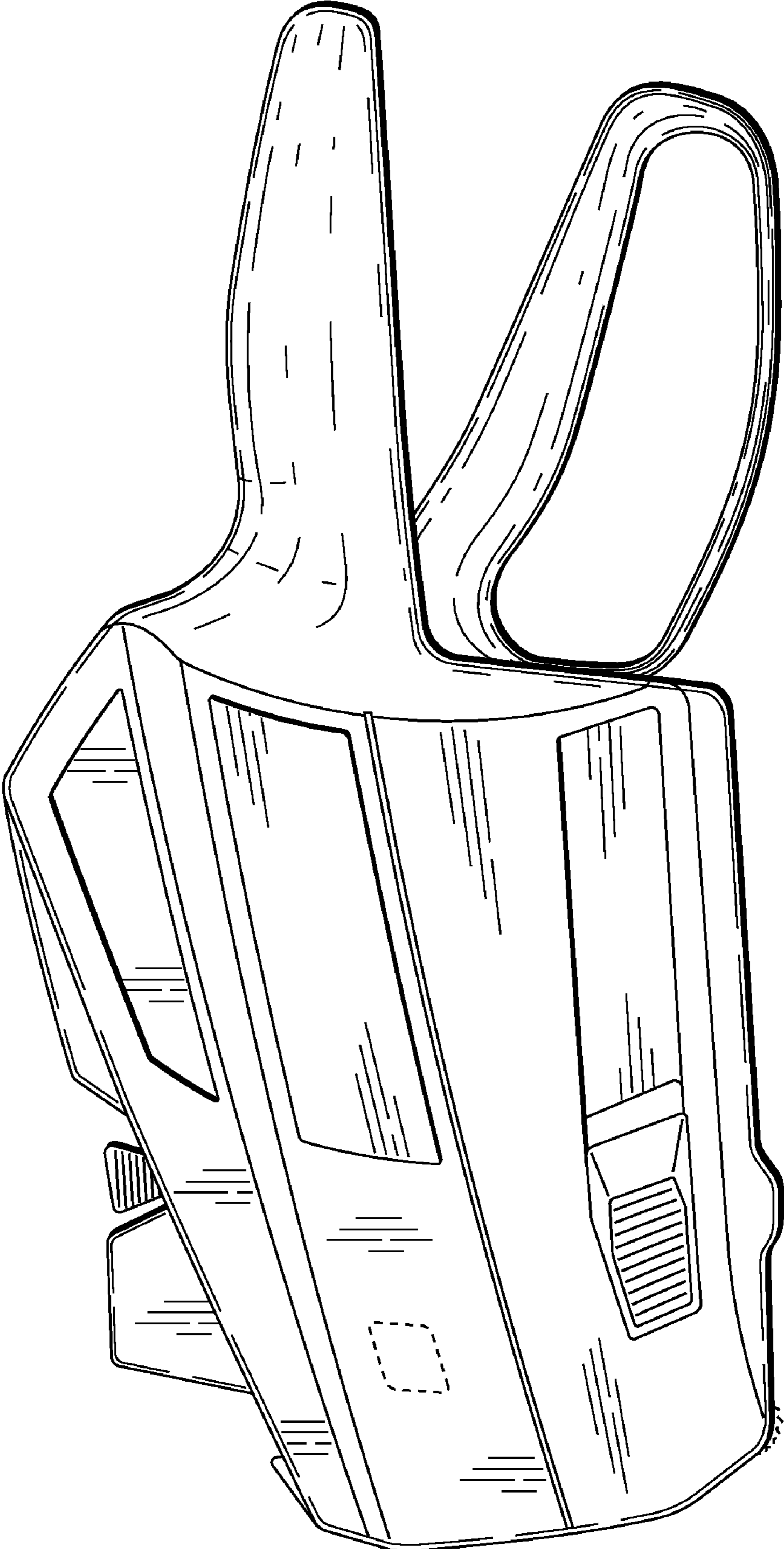


**FIG.1**

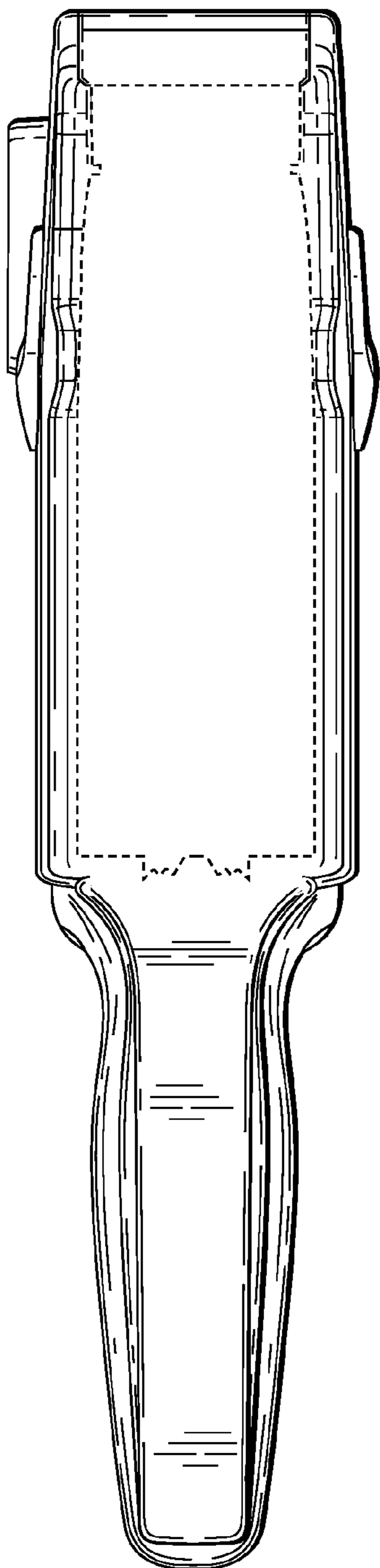


**FIG. 2**

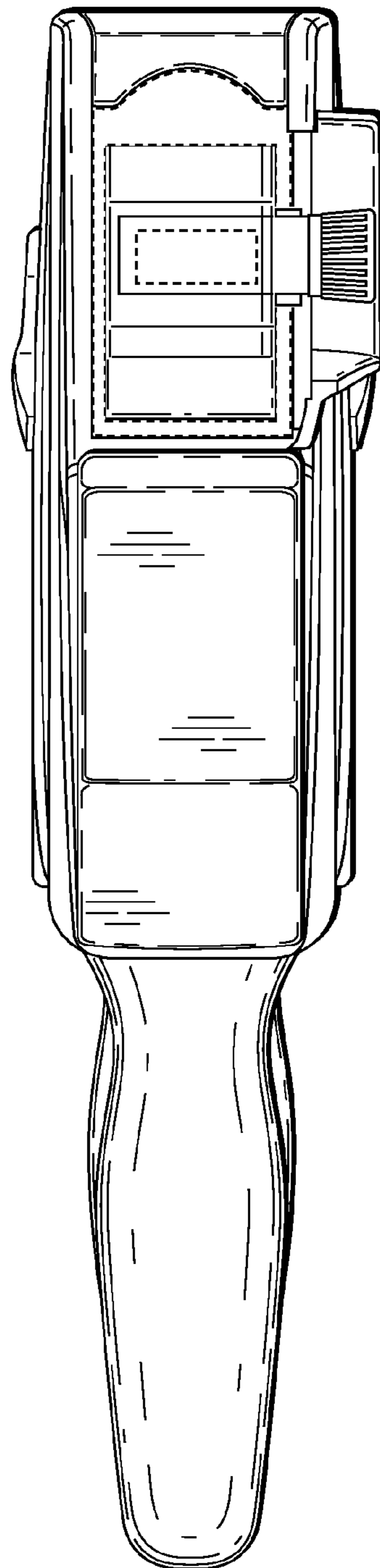
**FIG.3**



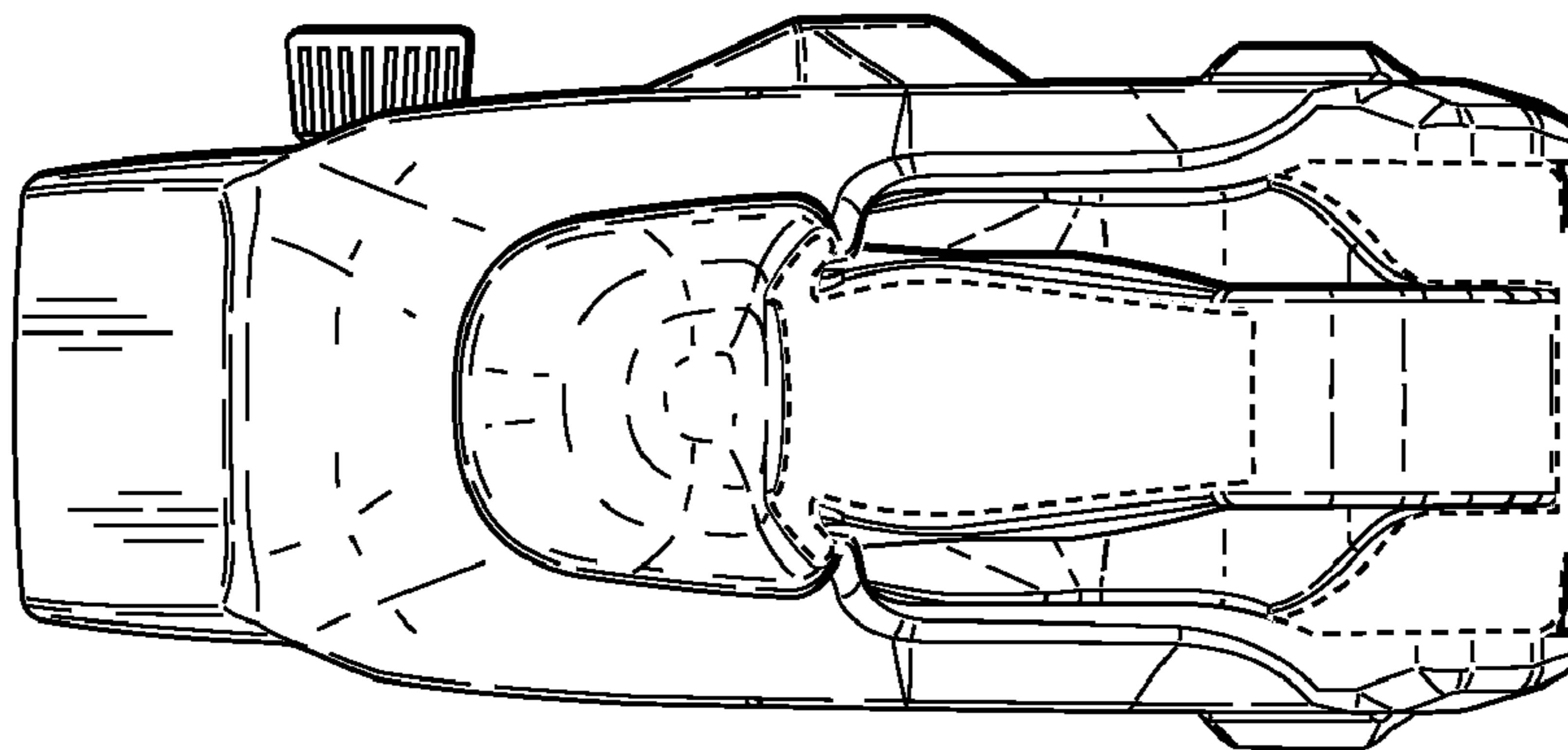
**FIG.4**



**FIG.5**



**FIG.7**



**FIG.6**

