



US00D629838S

(12) **United States Design Patent**  
**Block et al.**

(10) **Patent No.:** **US D629,838 S**  
(45) **Date of Patent:** **\*\* Dec. 28, 2010**

(54) **STAMP ROLLER**

(75) Inventors: **Andrew P. Block**, Middleton, WI (US);  
**Molly Opitz**, Milwaukee, WI (US);  
**Colin Roberts**, Stevens Point, WI (US);  
**Daniel J. Lipscomb**, Prarie Du Sac, WI (US);  
**Lisa Painter**, Madison, WI (US);  
**Joshua D. Hatch**, Middleton, WI (US);  
**Scott Roelke**, Arena, WI (US)

D451,945 S 12/2001 MacNeil et al.  
D452,262 S 12/2001 MacNeil et al.  
D452,957 S 1/2002 Bodino  
D492,957 S 7/2004 Wei  
D493,191 S 7/2004 Sculler et al.  
D493,192 S 7/2004 Sculler et al.  
6,761,114 B2 7/2004 Koneczny et al.  
6,796,230 B2 9/2004 Pichler et al.  
6,834,584 B1 12/2004 MacNeil  
D503,737 S \* 4/2005 Sculler ..... D18/15

(73) Assignee: **Fiskars Brands, Inc.**, Madison, WI (US)

(Continued)

(\*\*) Term: **14 Years**

FOREIGN PATENT DOCUMENTS

(21) Appl. No.: **29/359,719**

WO WO03/099572 12/2003

(22) Filed: **Apr. 14, 2010**

OTHER PUBLICATIONS

(51) **LOC (9) Cl.** ..... **19-02**

(52) **U.S. Cl.** ..... **D18/15**

(58) **Field of Classification Search** ..... D18/15-19,  
D18/50, 7; 400/462-470, 613.1-613.4;  
156/384, DIG. 48, DIG. 49; D19/68; 101/109,  
101/328, 329, 375

<http://www.staples.com/office/supplies/StaplesSearch?searchkey=stamp+kits&storeId=10001&catalogId=10051&langId=-1&fromUrl=home>

*Primary Examiner*—Charles A Rademaker  
(74) *Attorney, Agent, or Firm*—Foley & Lardner LLP

See application file for complete search history.

(57) **CLAIM**

(56) **References Cited**

We claim the ornamental design for a stamp roller, as shown and described.

U.S. PATENT DOCUMENTS

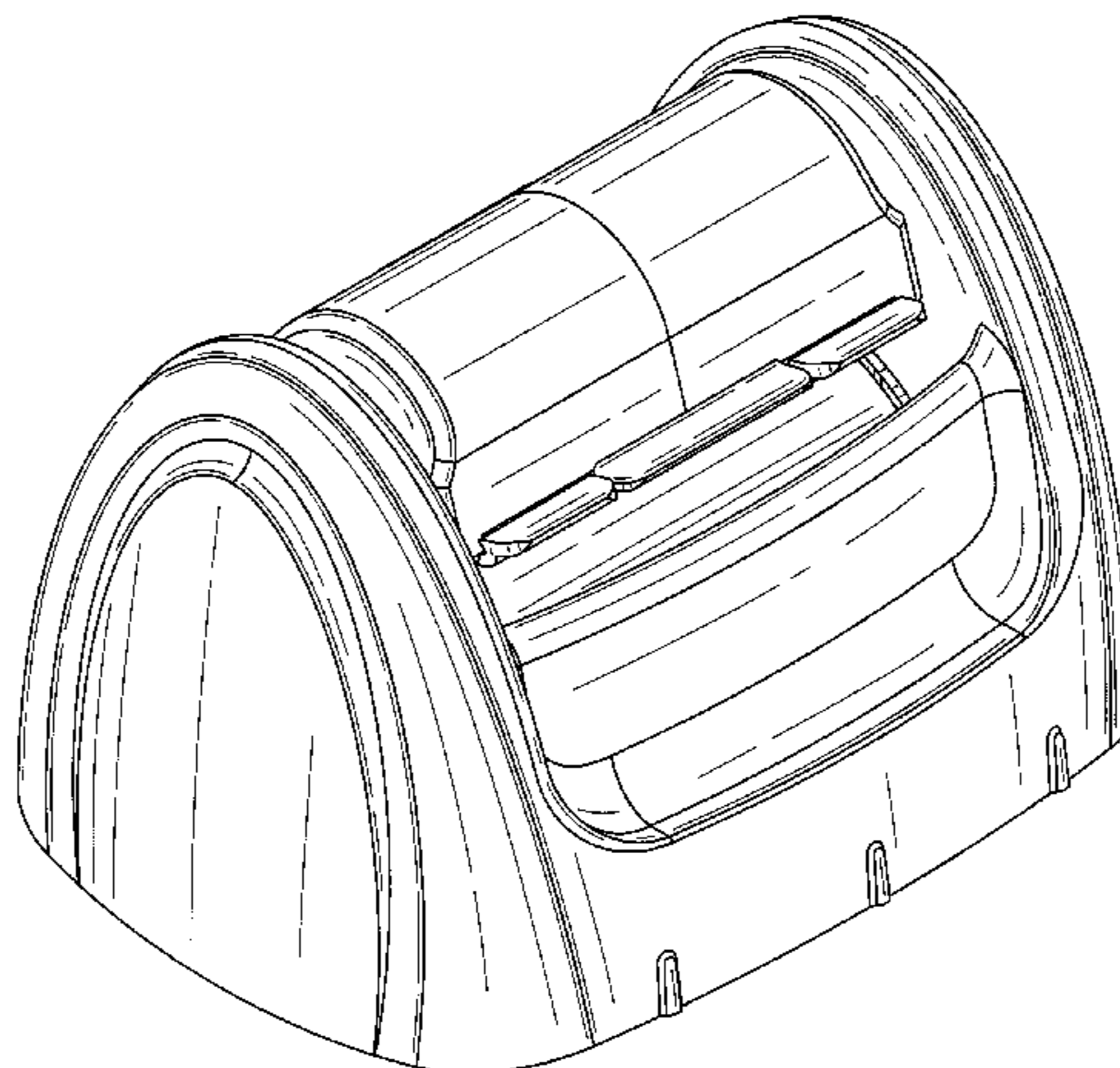
**DESCRIPTION**

1,512,085 A 10/1924 Clary  
2,222,333 A 11/1940 Wenzel et al.  
D158,299 S \* 4/1950 Mann ..... D18/15  
D178,686 S \* 9/1956 Mitchell ..... D18/15  
4,854,235 A 8/1989 Lyon  
D318,685 S \* 7/1991 Kida ..... D18/15  
D339,819 S \* 9/1993 Chen ..... D18/15  
D353,394 S \* 12/1994 Stefanski et al. .... D18/15  
D367,290 S 2/1996 Sculler et al.  
5,505,130 A 4/1996 Winston  
5,636,569 A 6/1997 Winston  
5,809,886 A 9/1998 Faber  
5,870,953 A 2/1999 Winston  
5,909,709 A 6/1999 An et al.  
D427,233 S 6/2000 Faber  
6,189,450 B1 2/2001 Shih  
D444,808 S 7/2001 Dour et al.

FIG. 1 is a top perspective view of a stamp roller showing our new design;  
FIG. 2 is a bottom perspective view thereof;  
FIG. 3 is a front elevational view thereof;  
FIG. 4 is a rear elevational view thereof;  
FIG. 5 is a right side elevational view thereof;  
FIG. 6 is a left side elevational view thereof;  
FIG. 7 is a top plan view thereof; and,  
FIG. 8 is a bottom plan view thereof.

The broken lines shown are for illustrative purposes only and form no part of the claimed design.

**1 Claim, 8 Drawing Sheets**



# US D629,838 S

Page 2

---

## U.S. PATENT DOCUMENTS

6,877,426 B1	4/2005	Huang	7,086,331 B2	8/2006	Moody
6,892,638 B2	5/2005	Sculler	D545,352 S	6/2007	Treml
6,945,172 B1	9/2005	Shih	D550,280 S	9/2007	Russo et al.
D513,037 S	12/2005	Faber	7,380,497 B2	6/2008	Faber
D518,087 S	3/2006	Shih	7,389,727 B2	6/2008	Faber
D518,506 S	4/2006	Faber	D587,746 S	3/2009	Russo et al.
7,069,852 B2	7/2006	Zindl et al.	2005/0145127 A1	7/2005	Zindl et al.
7,077,063 B2	7/2006	Petersen	2006/0000374 A1	1/2006	Faber
			2009/0301327 A1	12/2009	Nelson et al.

\* cited by examiner

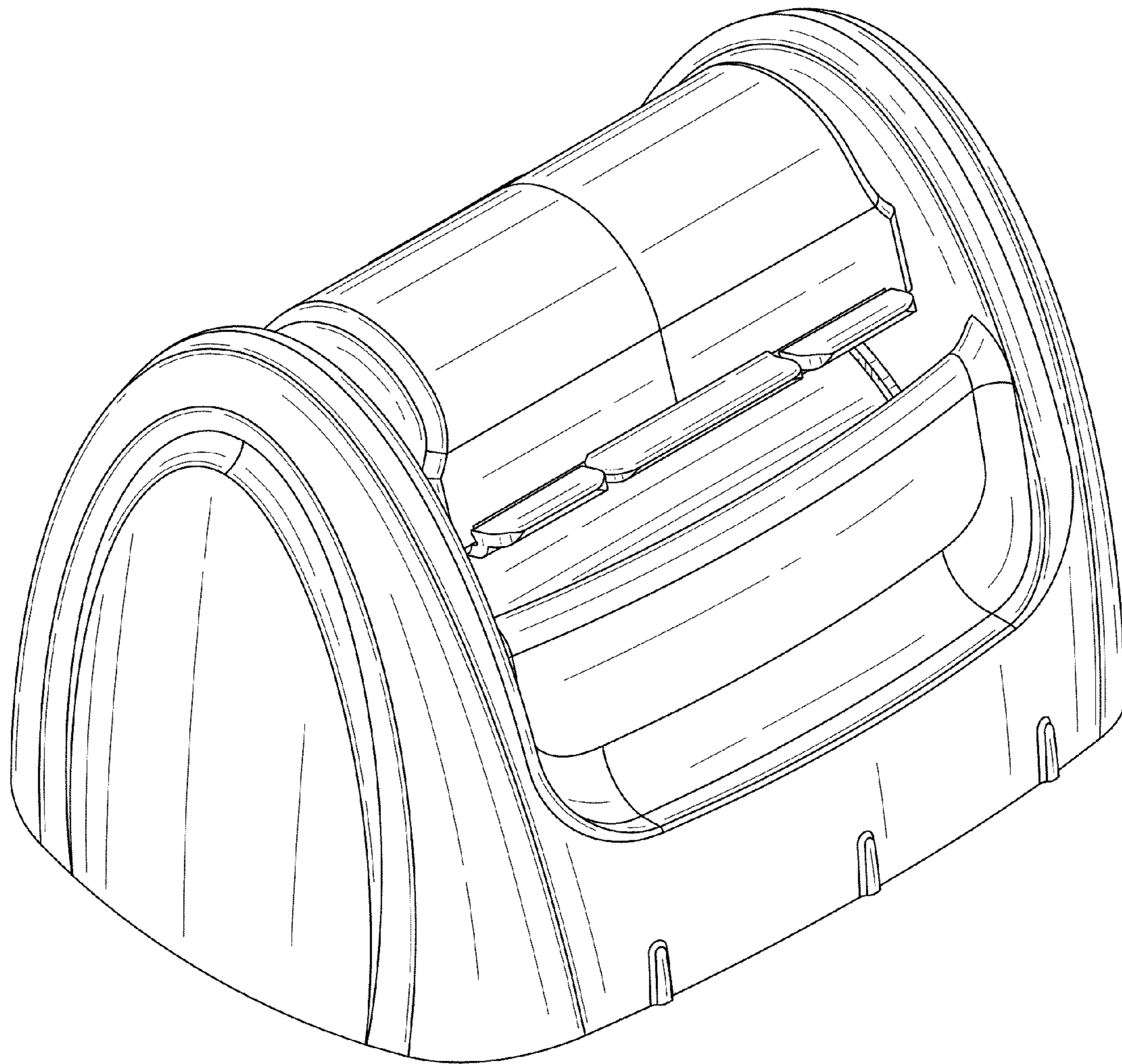


FIG. 1

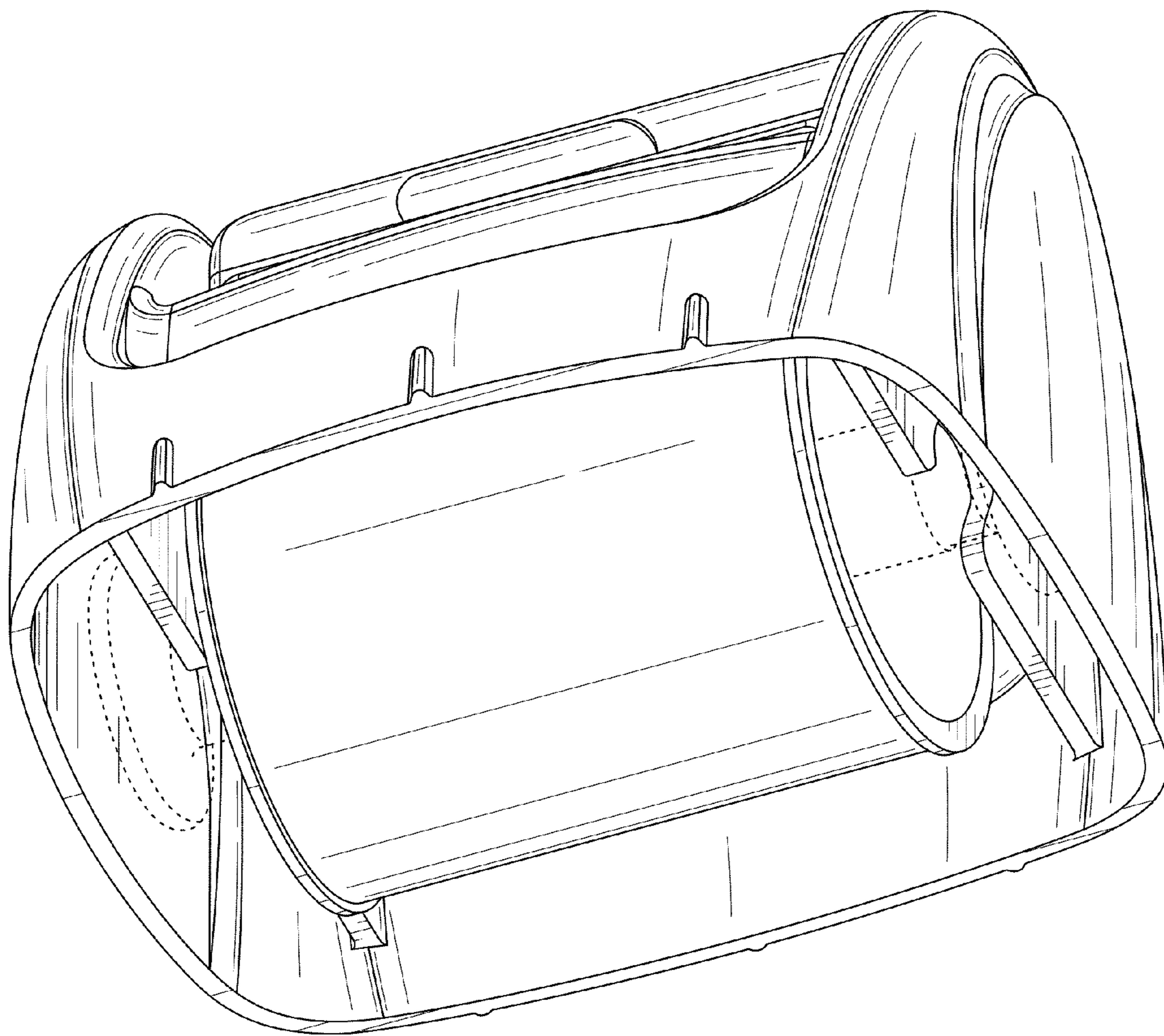


FIG. 2

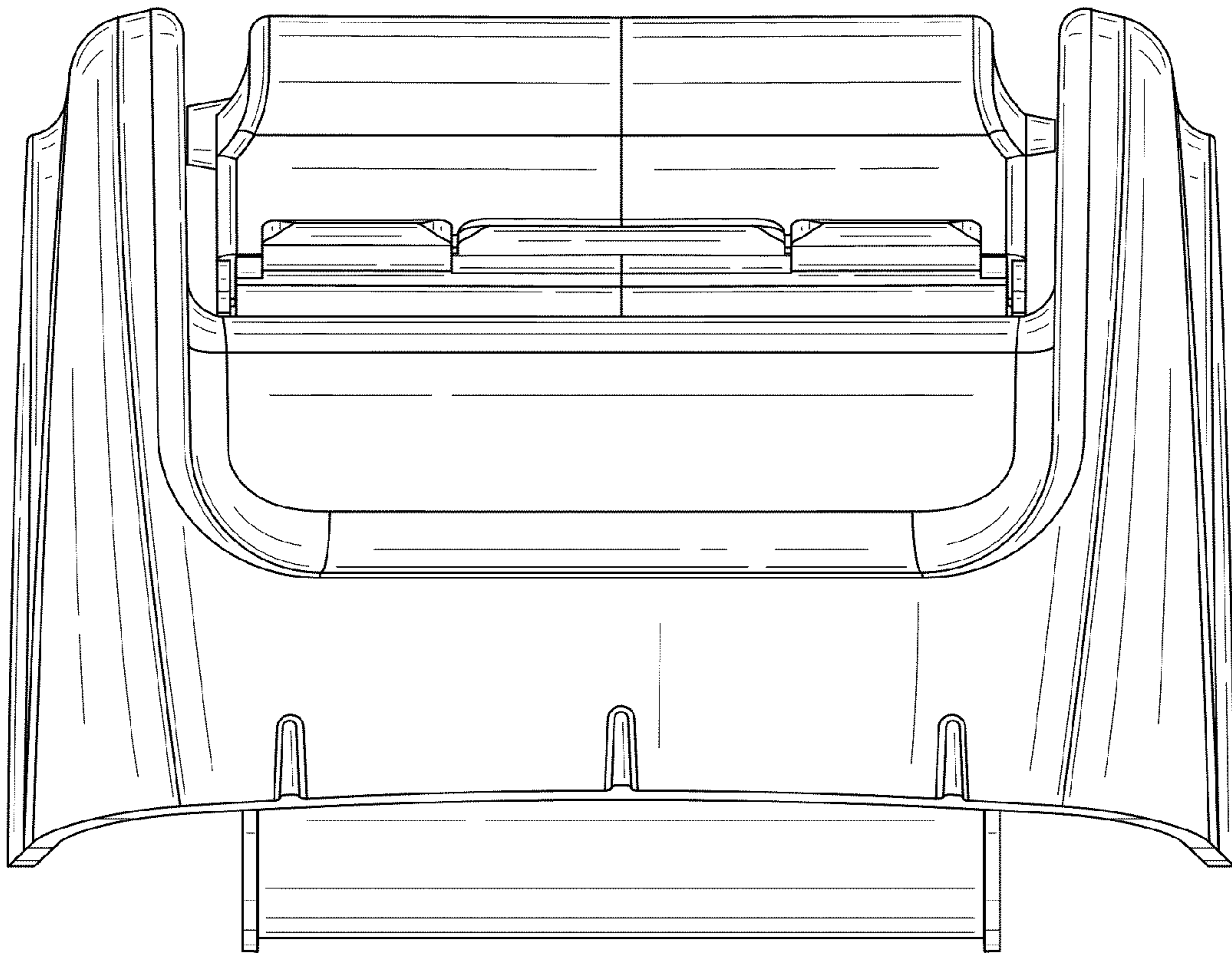


FIG. 3

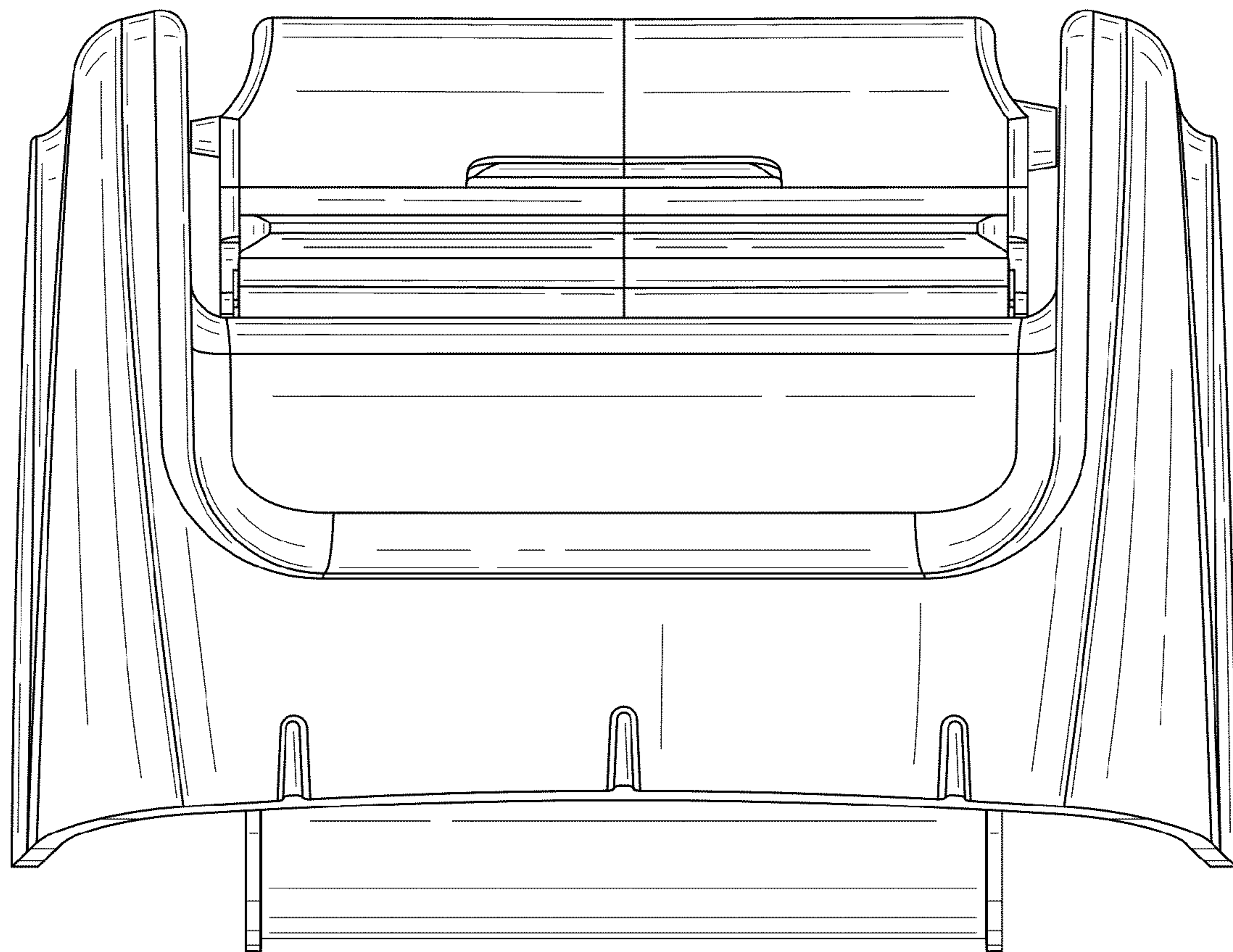


FIG. 4

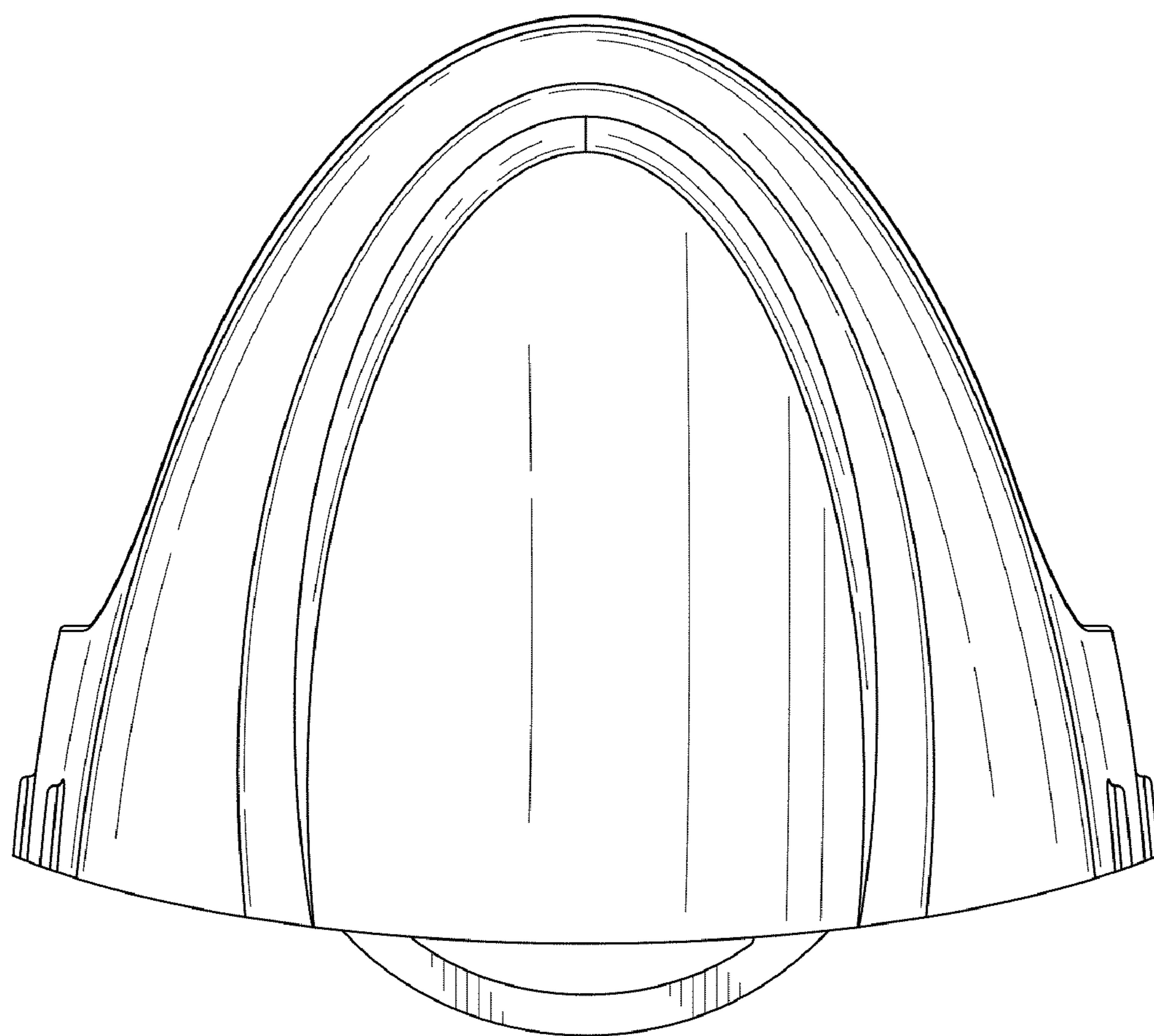


FIG. 5

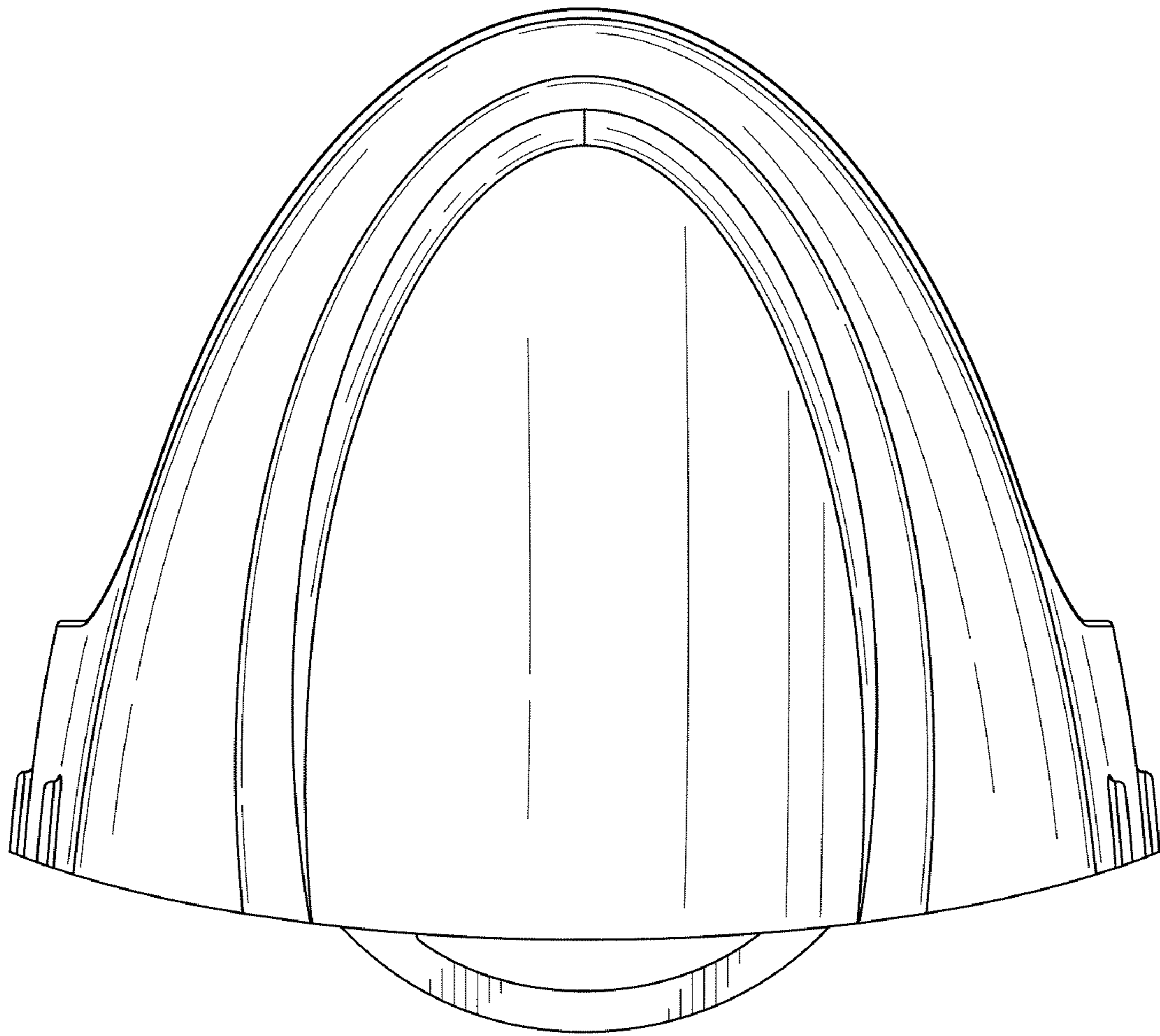


FIG. 6



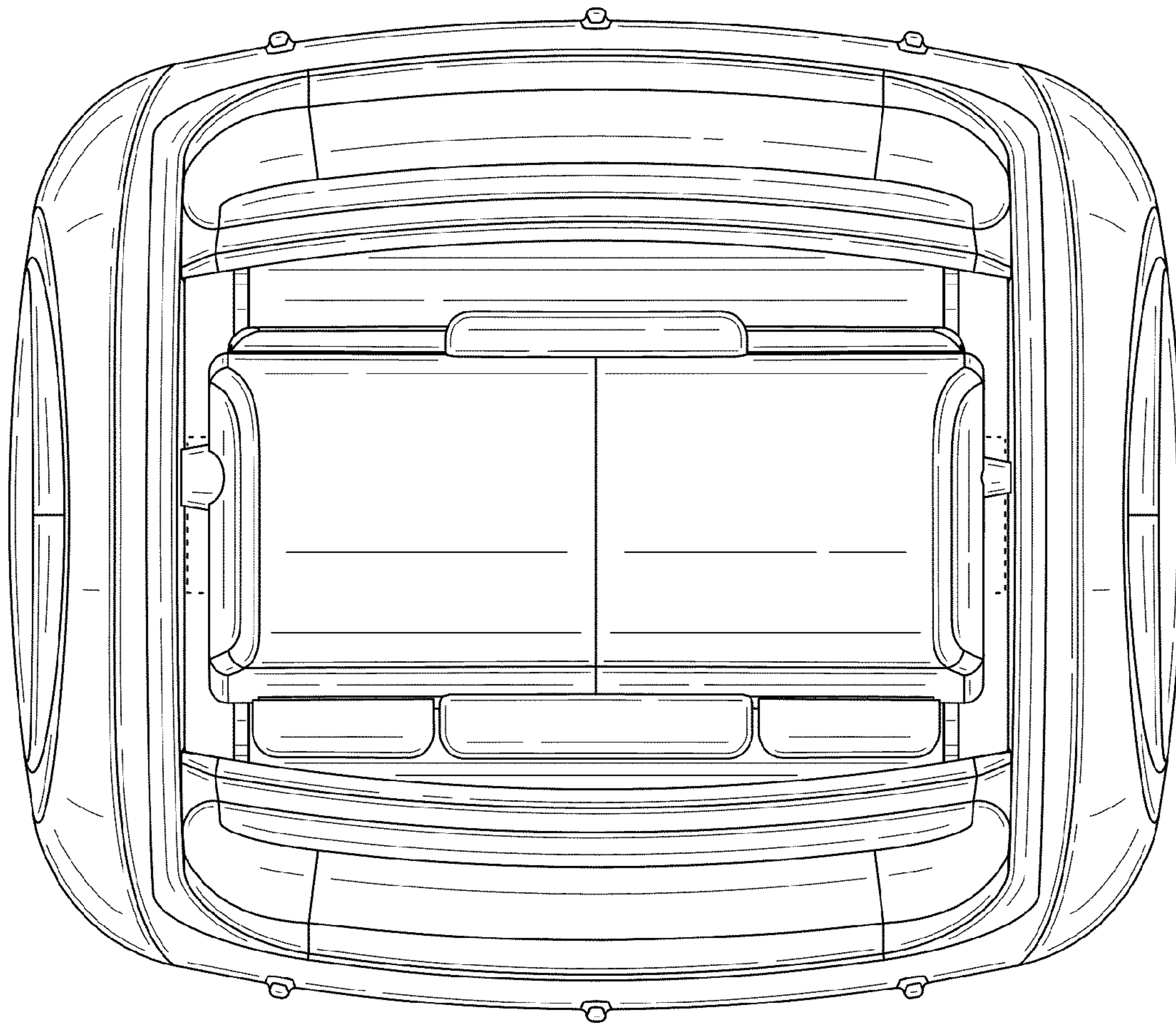


FIG. 7

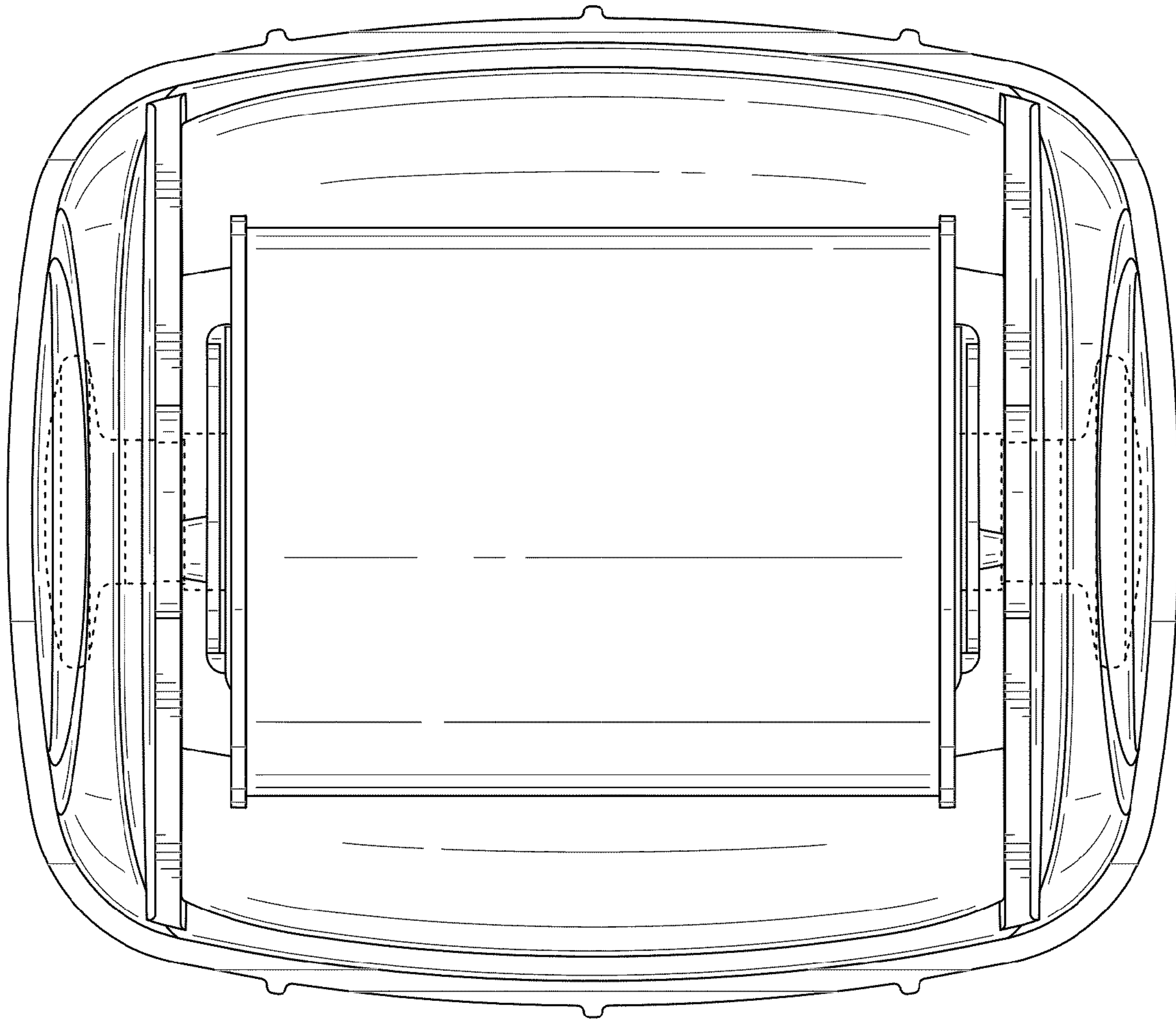


FIG. 8