



US00D629837S

(12) **United States Design Patent**  
**Ishihara et al.**

(10) **Patent No.:** **US D629,837 S**  
(45) **Date of Patent:** **\*\* Dec. 28, 2010**

(54) **GUITAR TUNER**

**DESCRIPTION**

(75) Inventors: **Yu Ishihara**, Chiba (JP); **Yumi Hayamizu**, Chiba (JP); **Hiromi Chida**, Chiba (JP); **Nobuyuki Iwase**, Chiba (JP)

(73) Assignee: **Seiko Instruments Inc.**, Chiba (JP)

(\*\*) Term: **14 Years**

(21) Appl. No.: **29/353,665**

(22) Filed: **Jan. 12, 2010**

(30) **Foreign Application Priority Data**

Jul. 13, 2009 (JP) ..... 2009-015948

(51) **LOC (9) Cl.** ..... **17-03**

(52) **U.S. Cl.** ..... **D17/20**

(58) **Field of Classification Search** ..... D17/20,  
D17/21, 99; 84/453-455, 200, 312 R, 312 P,  
84/723, DIG. 18; 359/238

See application file for complete search history.

(56) **References Cited**

**U.S. PATENT DOCUMENTS**

3,691,894 A \* 9/1972 Schneider et al. .... 84/454  
4,899,636 A \* 2/1990 Chiba et al. .... 84/454  
D353,826 S \* 12/1994 Mayo ..... D17/20  
D378,683 S \* 4/1997 Ridinger ..... D17/99  
D383,482 S \* 9/1997 Katsumata ..... D17/99

(Continued)

*Primary Examiner*—Stella M Reid

*Assistant Examiner*—Mark A Goodwin

(74) *Attorney, Agent, or Firm*—Finnegan, Henderson, Farabow, Garrett & Dunner, L.L.P.

(57) **CLAIM**

The ornamental design for a guitar tuner, as shown and described.

FIG. 1 is a bottom front left side perspective view of a guitar tuner showing our new design with the clip portion in open position;

FIG. 2 is a front view thereof;

FIG. 3 is a rear view thereof;

FIG. 4 is a left side view thereof;

FIG. 5 is a right side view thereof;

FIG. 6 is a top plan view thereof;

FIG. 7 is a bottom plan view thereof;

FIG. 8 is a bottom rear right side perspective view of the body portion of the guitar tuner thereof shown separated for ease of illustration;

FIG. 9 is a front view thereof;

FIG. 10 is a rear view thereof;

FIG. 11 is a left side view thereof;

FIG. 12 is a right side view thereof;

FIG. 13 is a top plan view thereof;

FIG. 14 is a bottom plan view thereof;

FIG. 15 bottom front left side perspective view of the clip portion of the guitar tuner thereof shown separated for ease of illustration and in open position;

FIG. 16 is a front view thereof;

FIG. 17 is a rear view thereof;

FIG. 18 is a left side view thereof;

FIG. 19 is a right side view thereof;

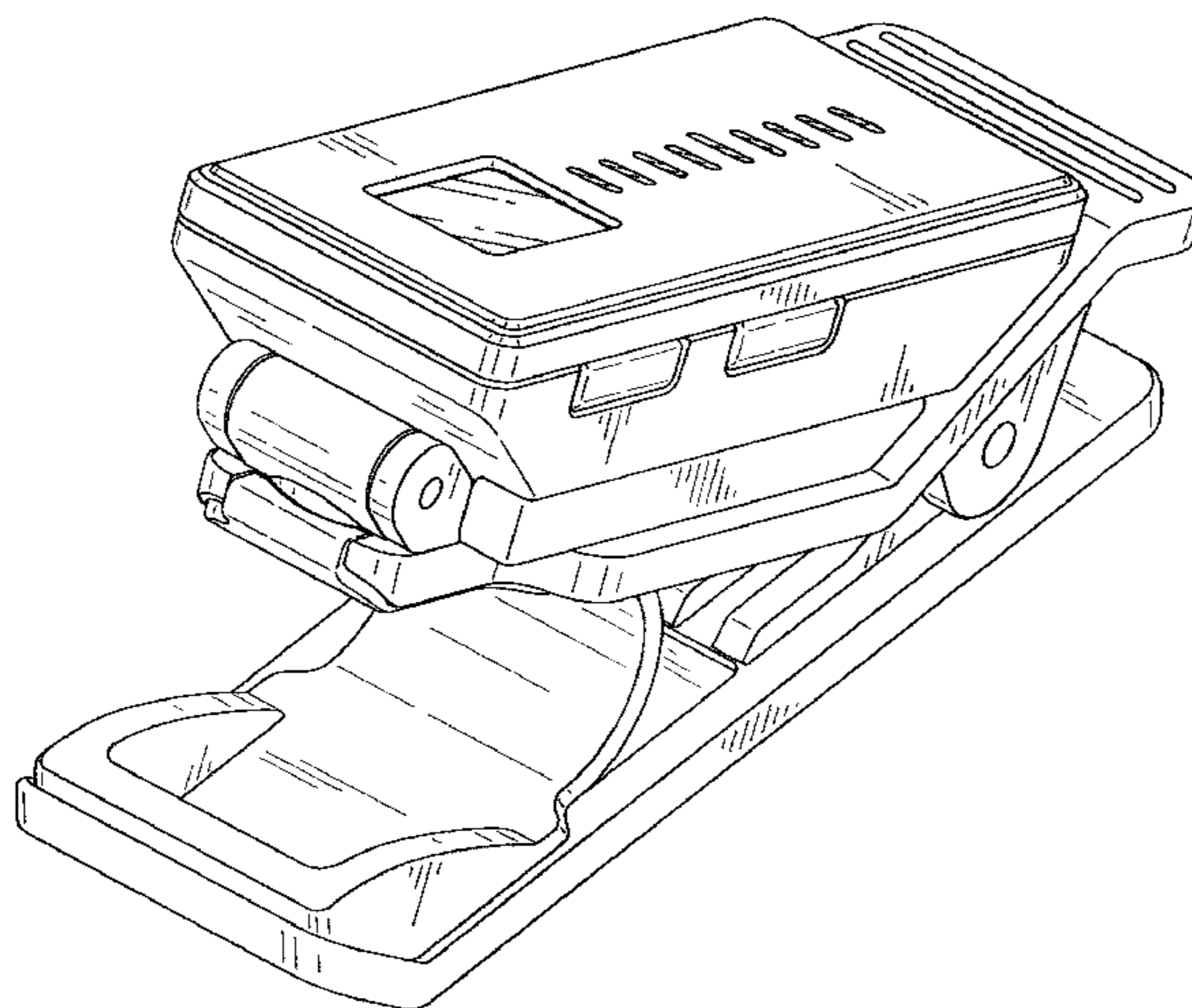
FIG. 20 is a top plan view thereof;

FIG. 21 is a bottom view thereof;

FIG. 22 is a top plan view of FIG. 6 thereof shown in assembled condition and closed position; and,

FIG. 23 is a bottom plan view FIG. 7 thereof shown in assembled condition and closed position.

**1 Claim, 13 Drawing Sheets**



# US D629,837 S

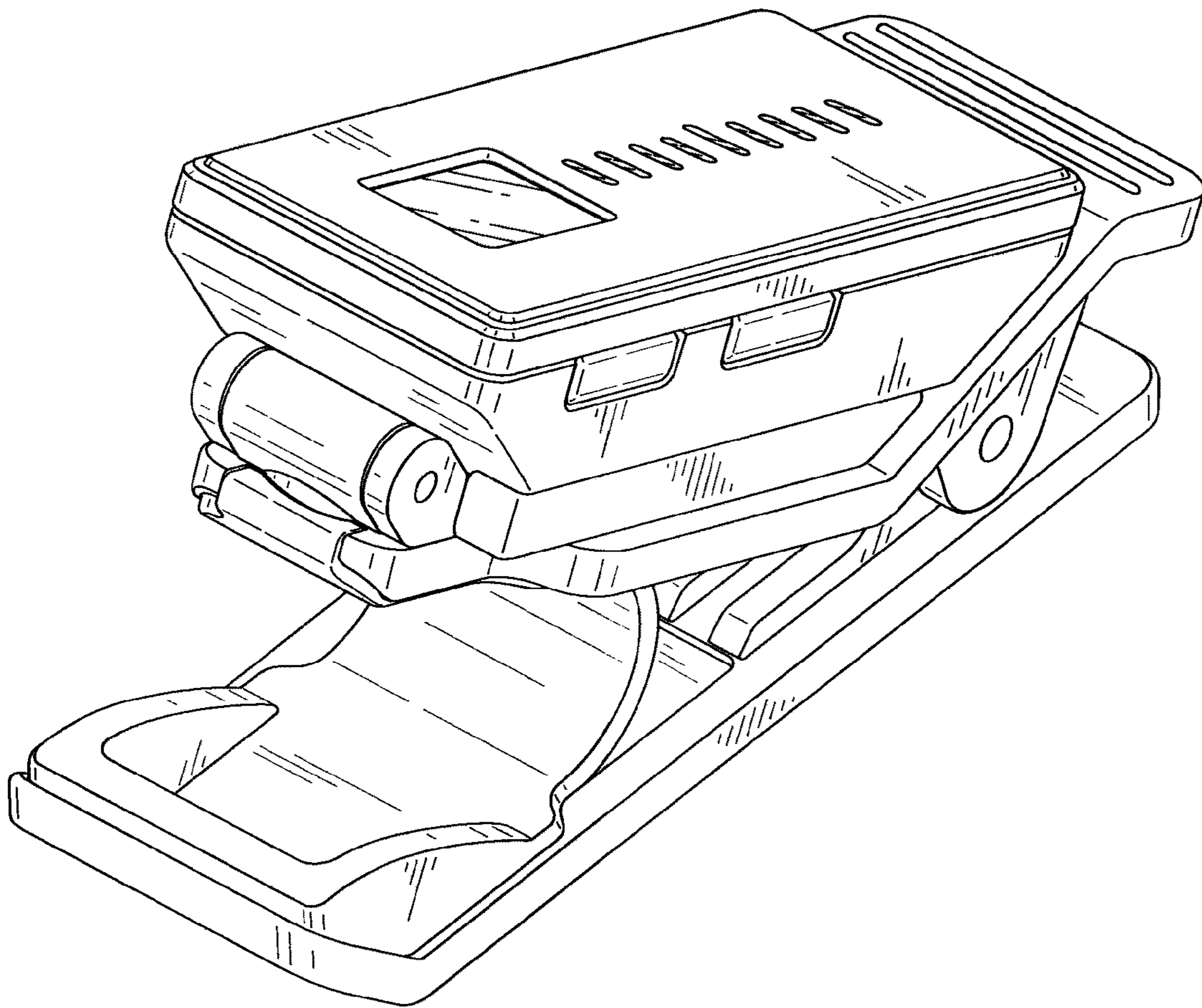
Page 2

---

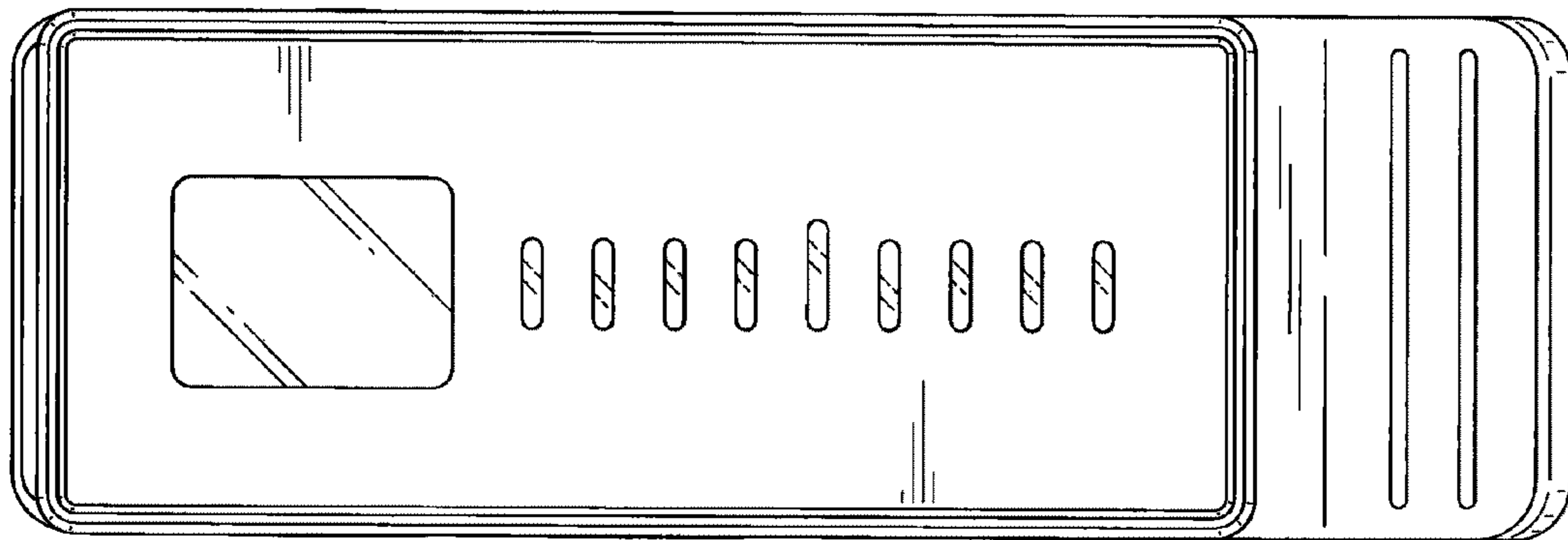
## U.S. PATENT DOCUMENTS

D402,684	S	*	12/1998	Wilson et al. ....	D17/99	D574,037	S	*	7/2008	LeGrady et al. ....	D17/20
5,990,403	A	*	11/1999	Membreno et al. ....	84/454	7,507,891	B2	*	3/2009	Lau et al. ....	84/454
D487,905	S	*	3/2004	Nelson et al. ....	D17/99	D604,760	S	*	11/2009	Small ....	D17/20
D496,385	S	*	9/2004	Steinberger ....	D17/20	7,745,710	B2	*	6/2010	Campling ....	84/318
6,797,872	B1	*	9/2004	Catalano et al. ....	84/454	2004/0020346	A1	*	2/2004	Kondo ....	84/454
6,965,067	B2	*	11/2005	Kondo ....	84/455	2004/0182224	A1	*	9/2004	Catalano et al. ....	84/454
7,265,282	B2	*	9/2007	Membreno et al. ....	84/453	2005/0087060	A1	*	4/2005	Taku et al. ....	84/455
D564,013	S	*	3/2008	Patton et al. ....	D17/99	2006/0180004	A1	*	8/2006	Hurwicz ....	84/454
D573,173	S	*	7/2008	Jackson ....	D17/20	2008/0229905	A1	*	9/2008	Lau et al. ....	84/454

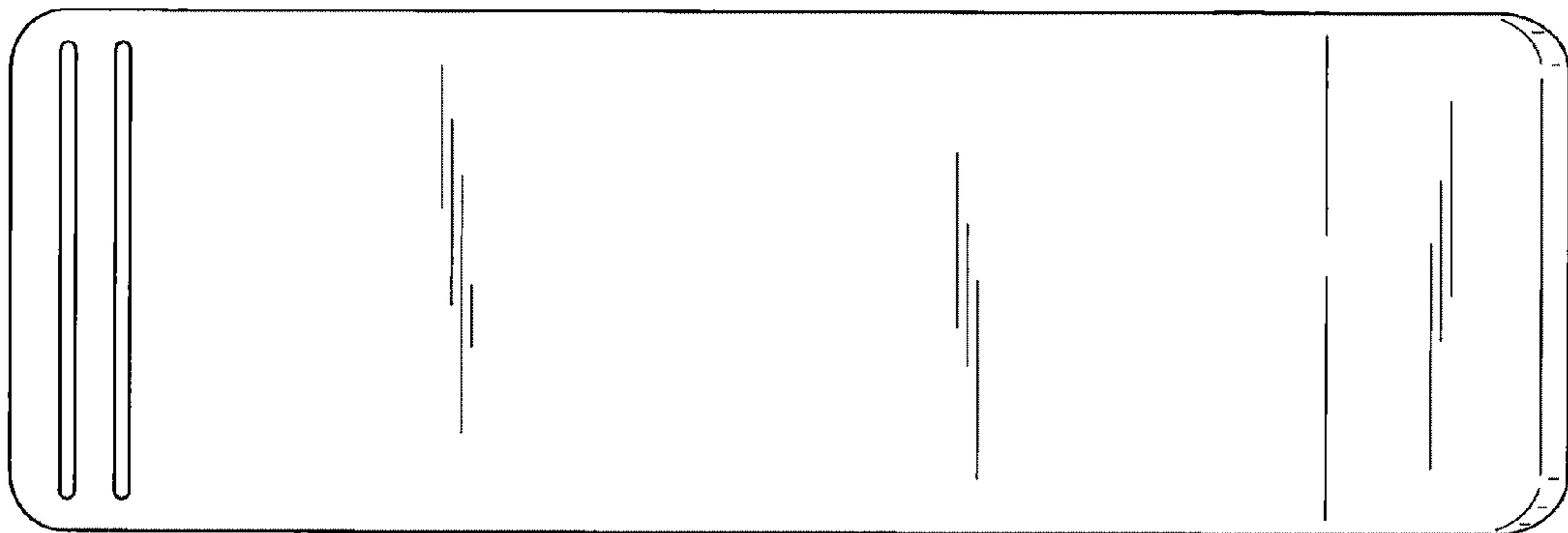
\* cited by examiner



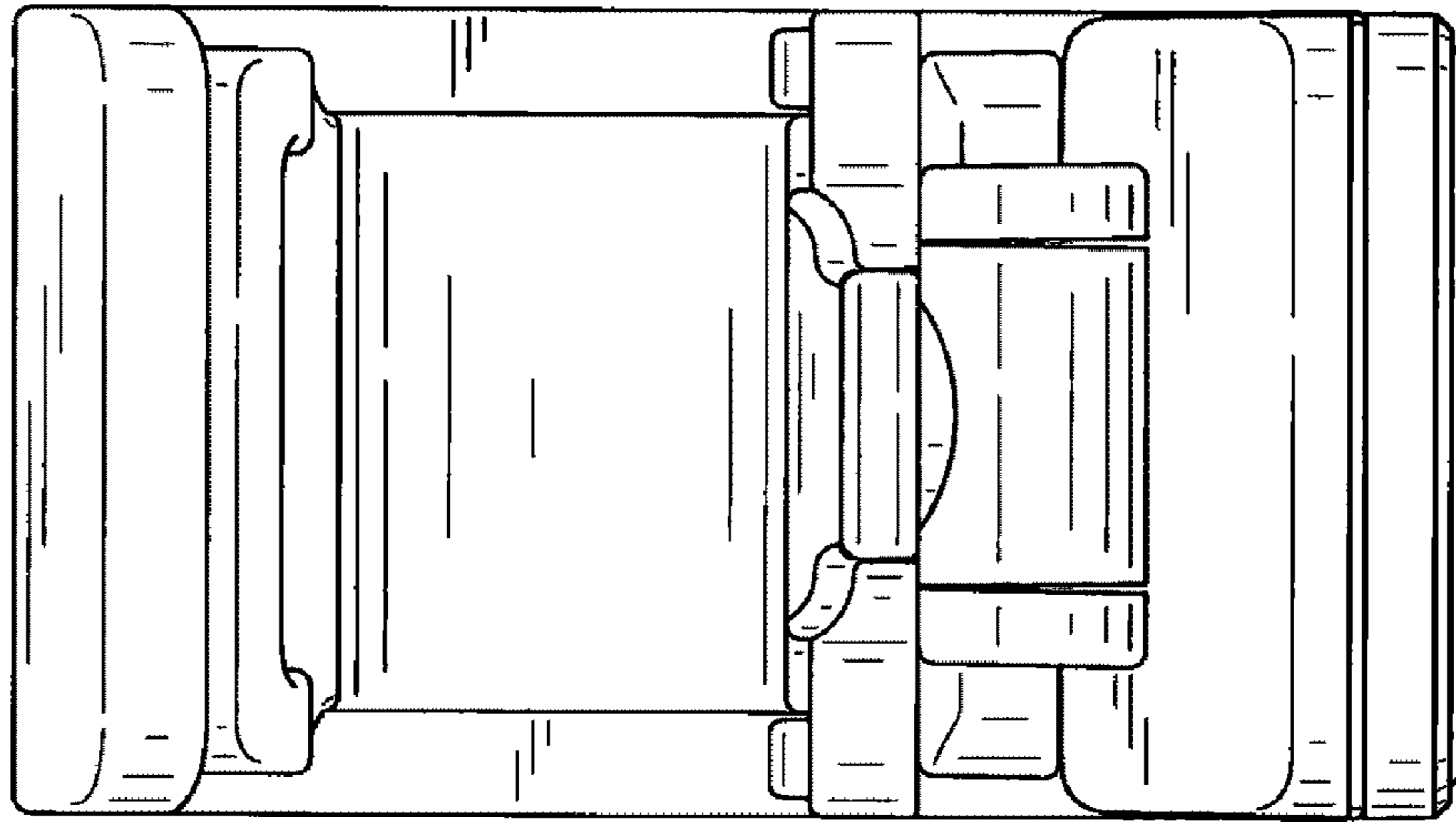
**FIG. 1**



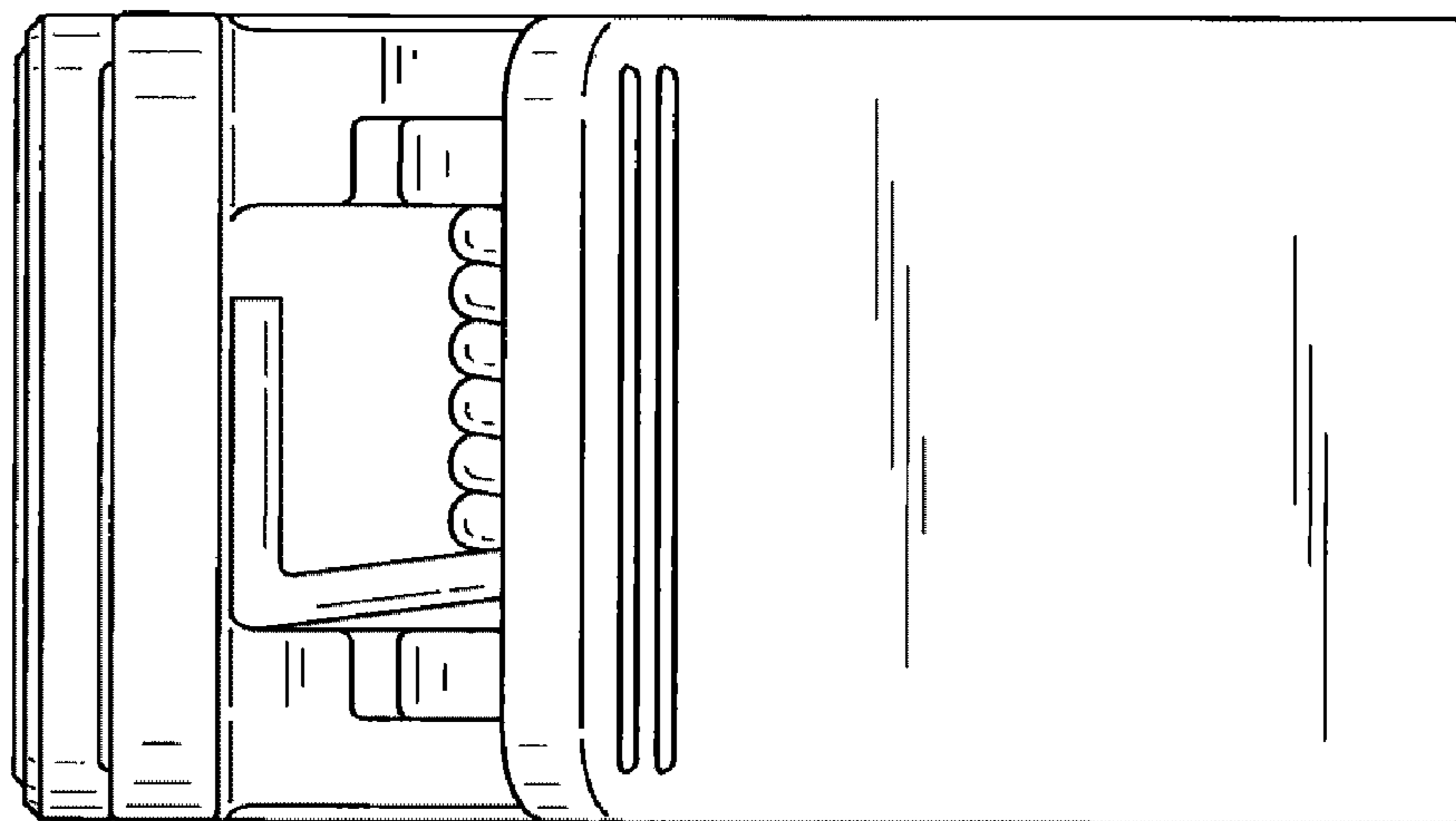
*FIG. 2*



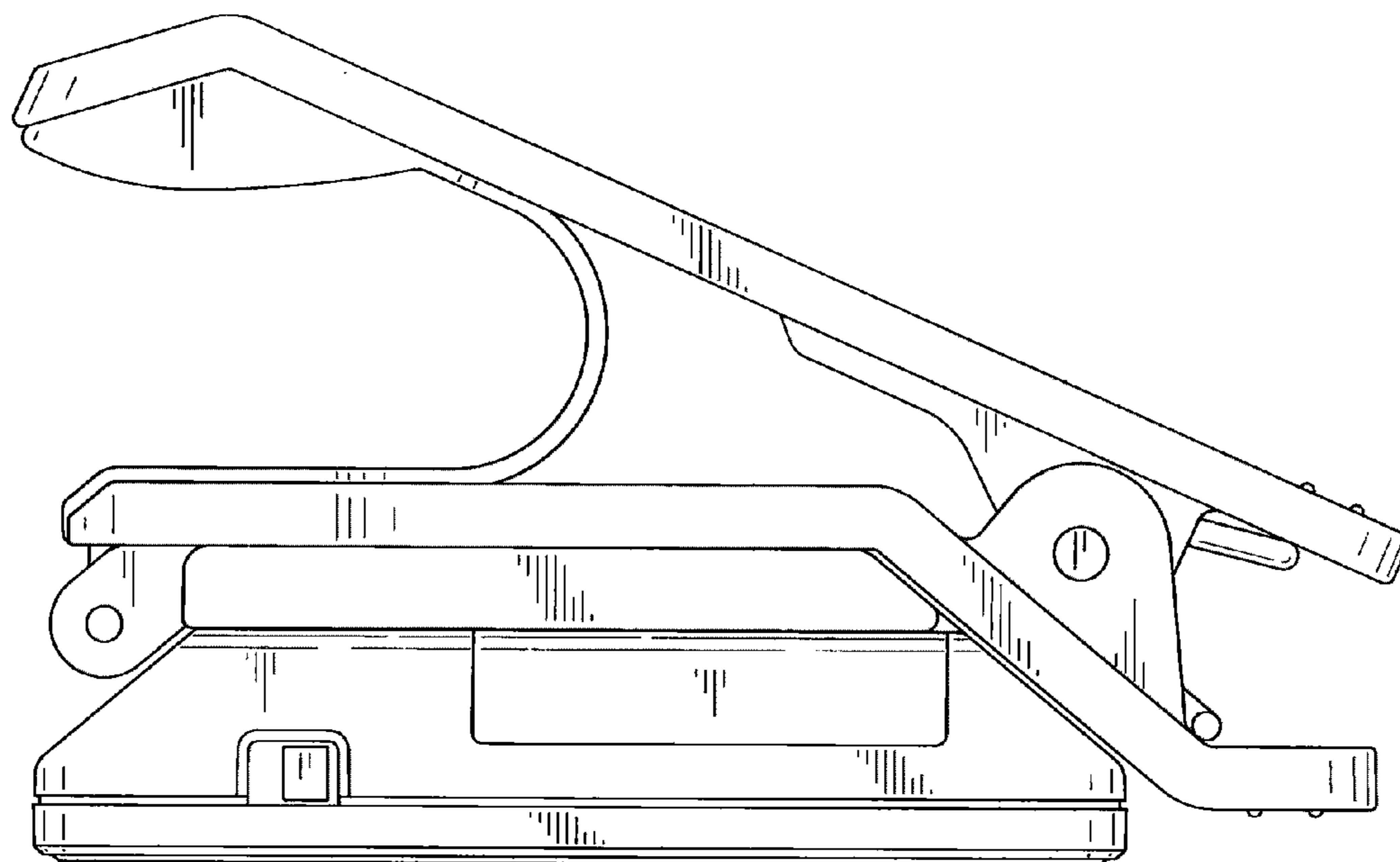
*FIG. 3*



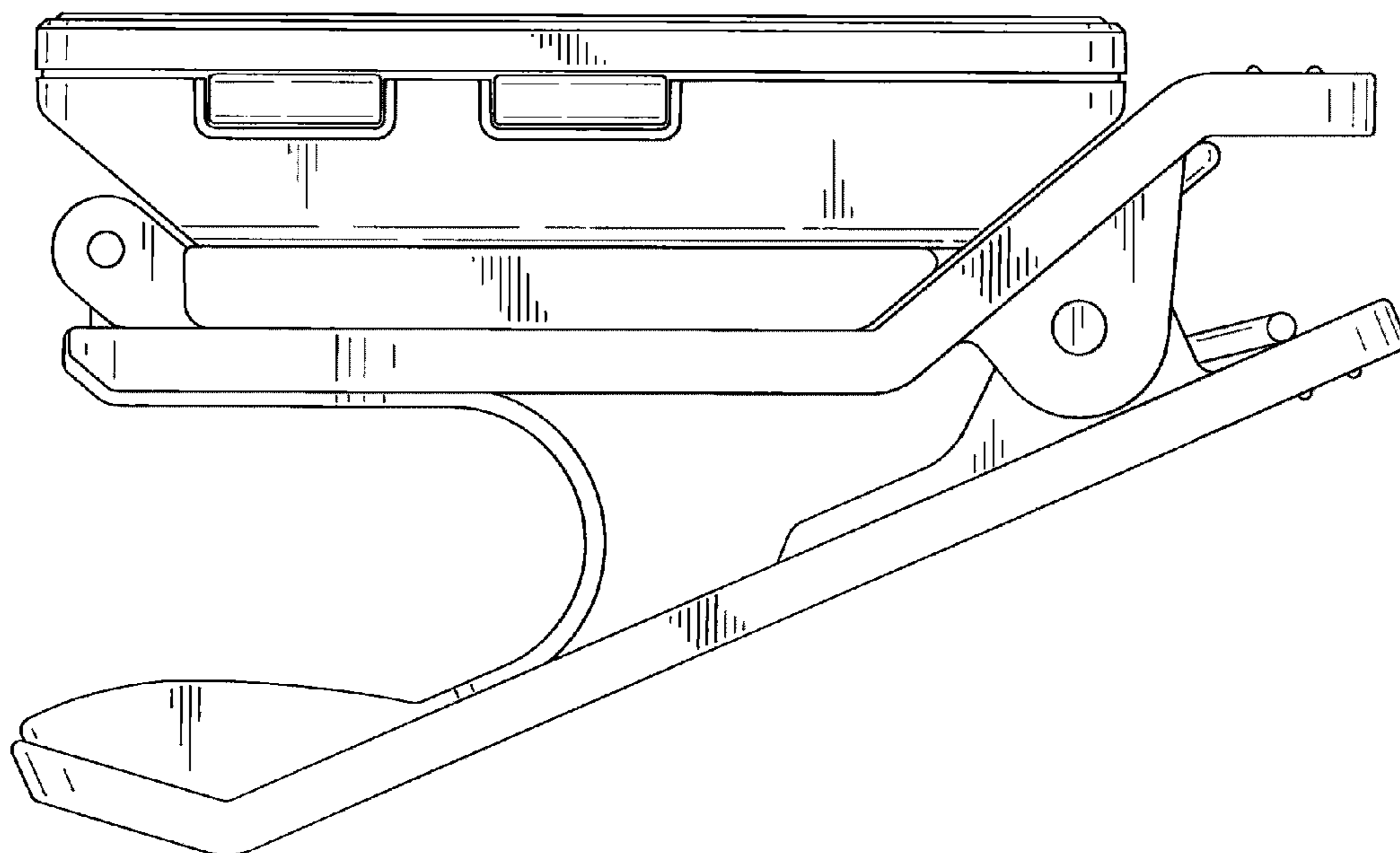
**FIG. 4**



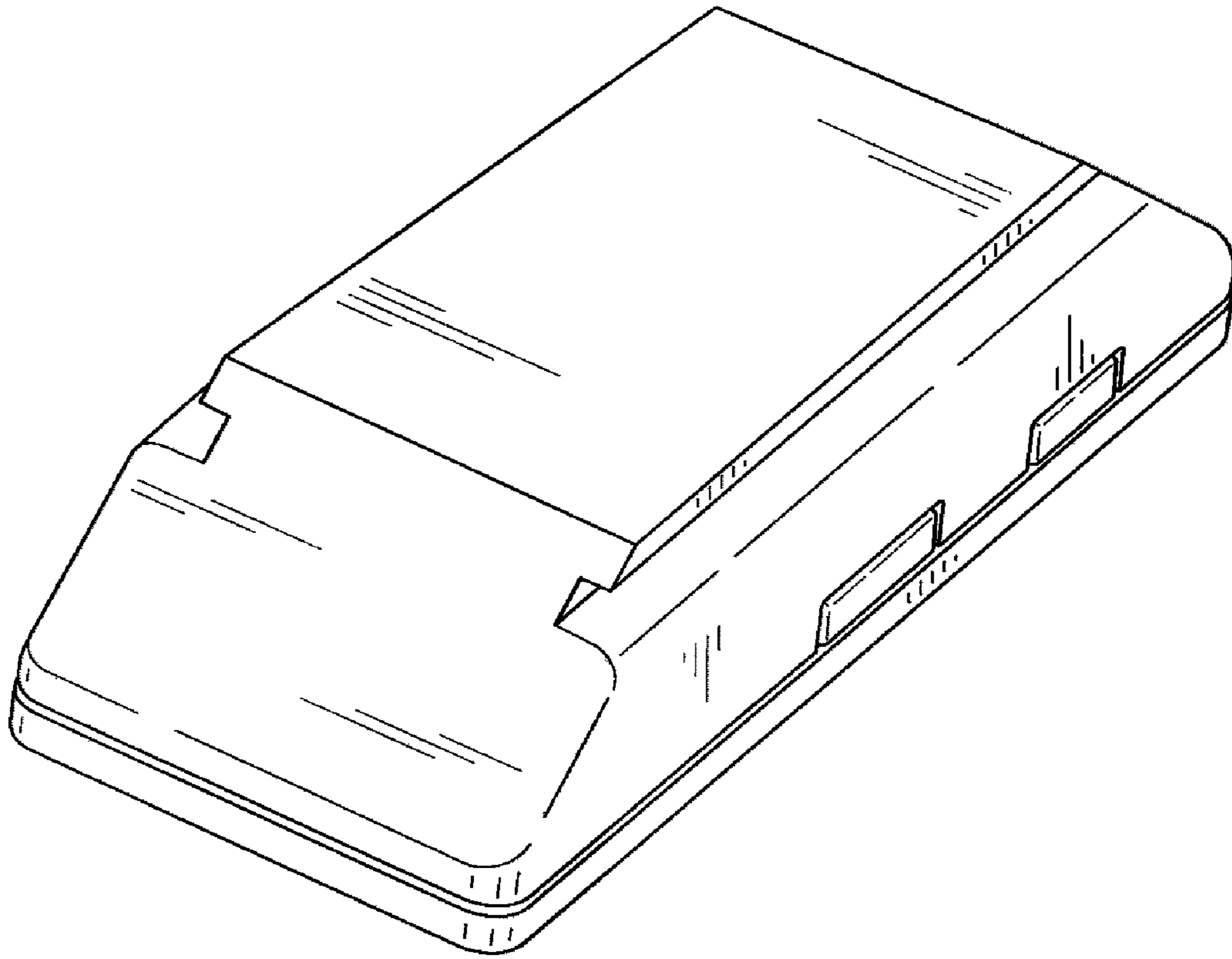
**FIG. 5**



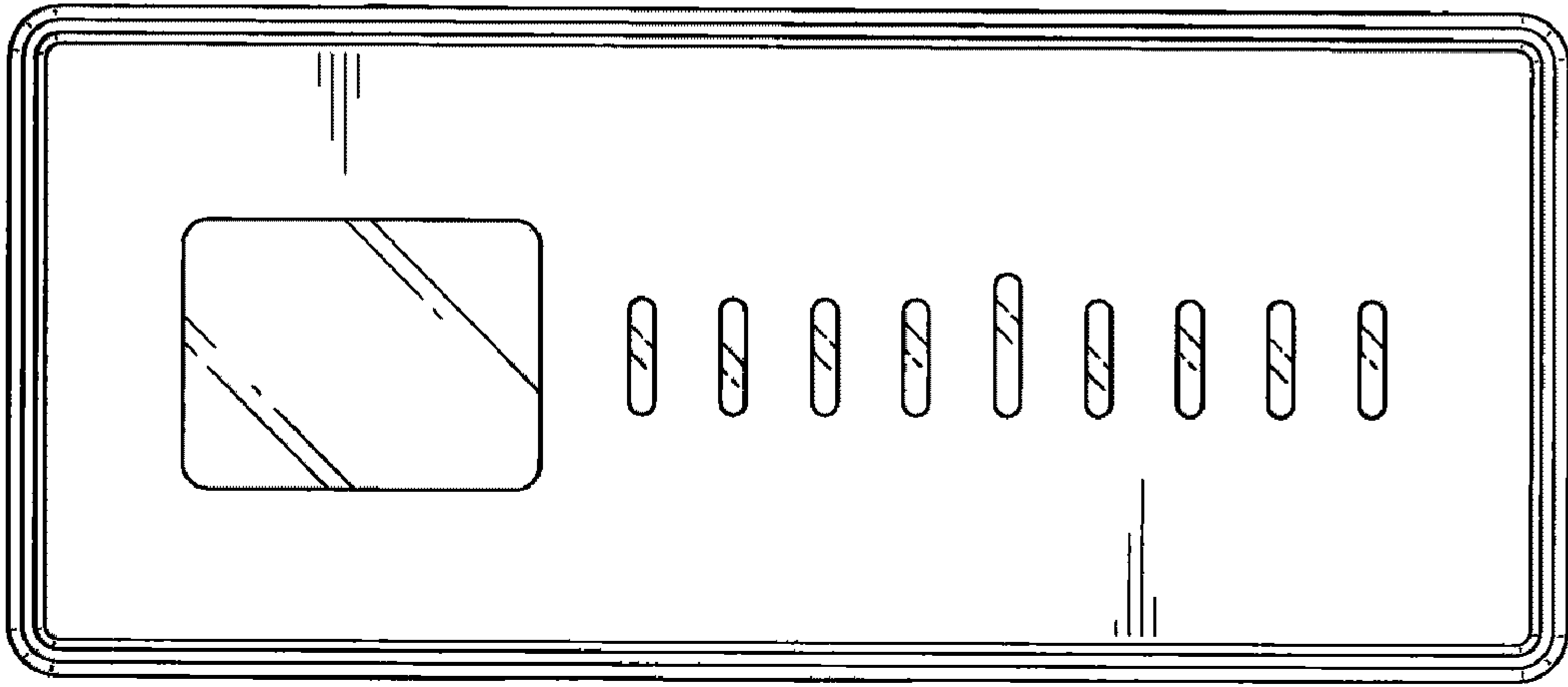
*FIG. 6*



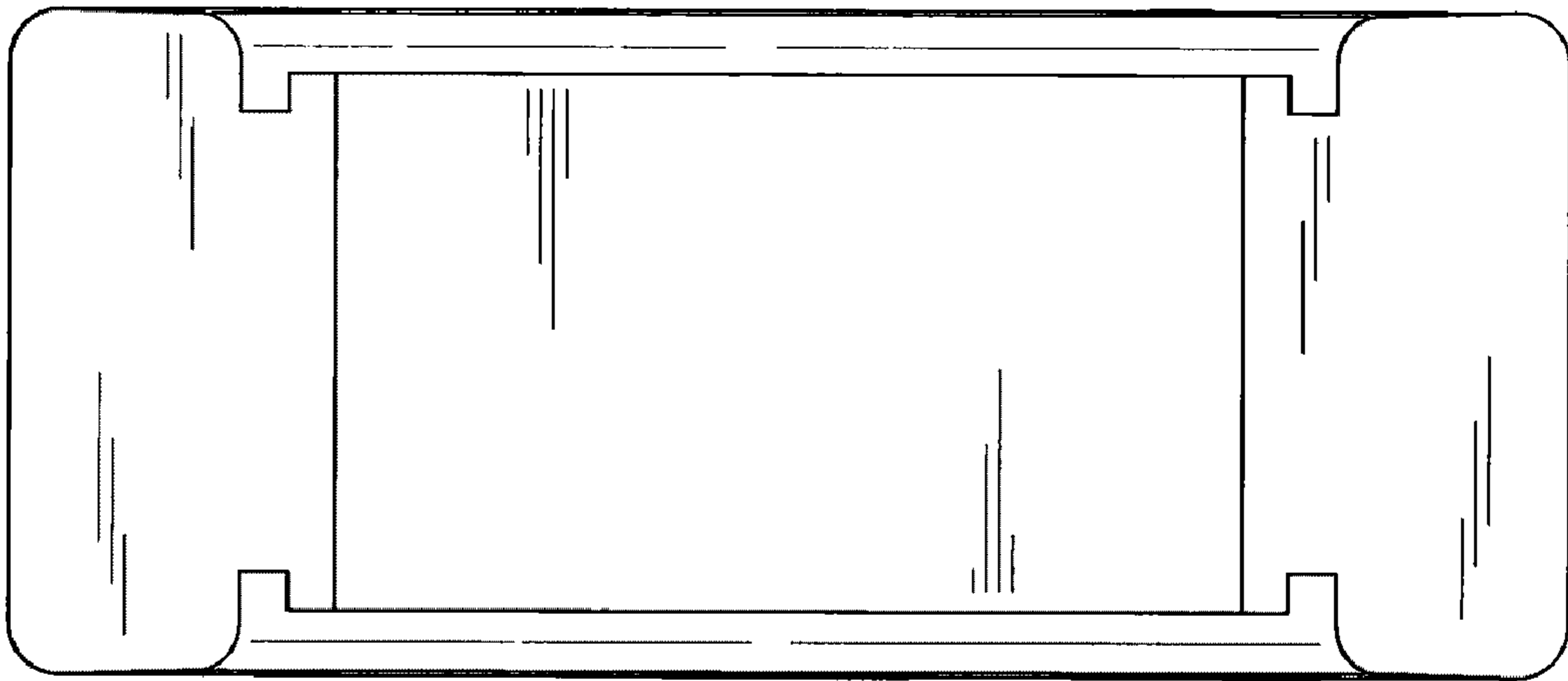
*FIG. 7*



**FIG. 8**

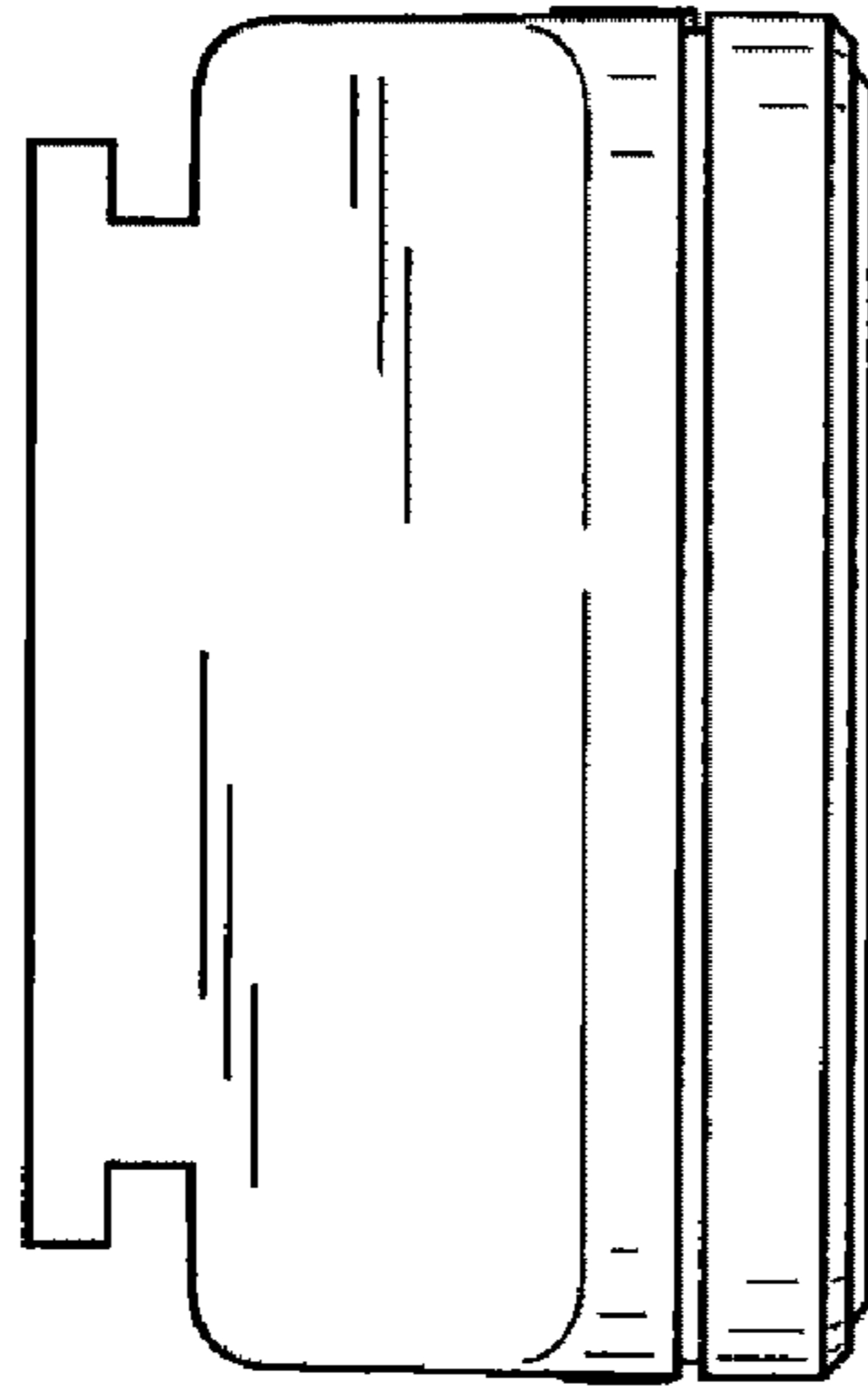


**FIG. 9**

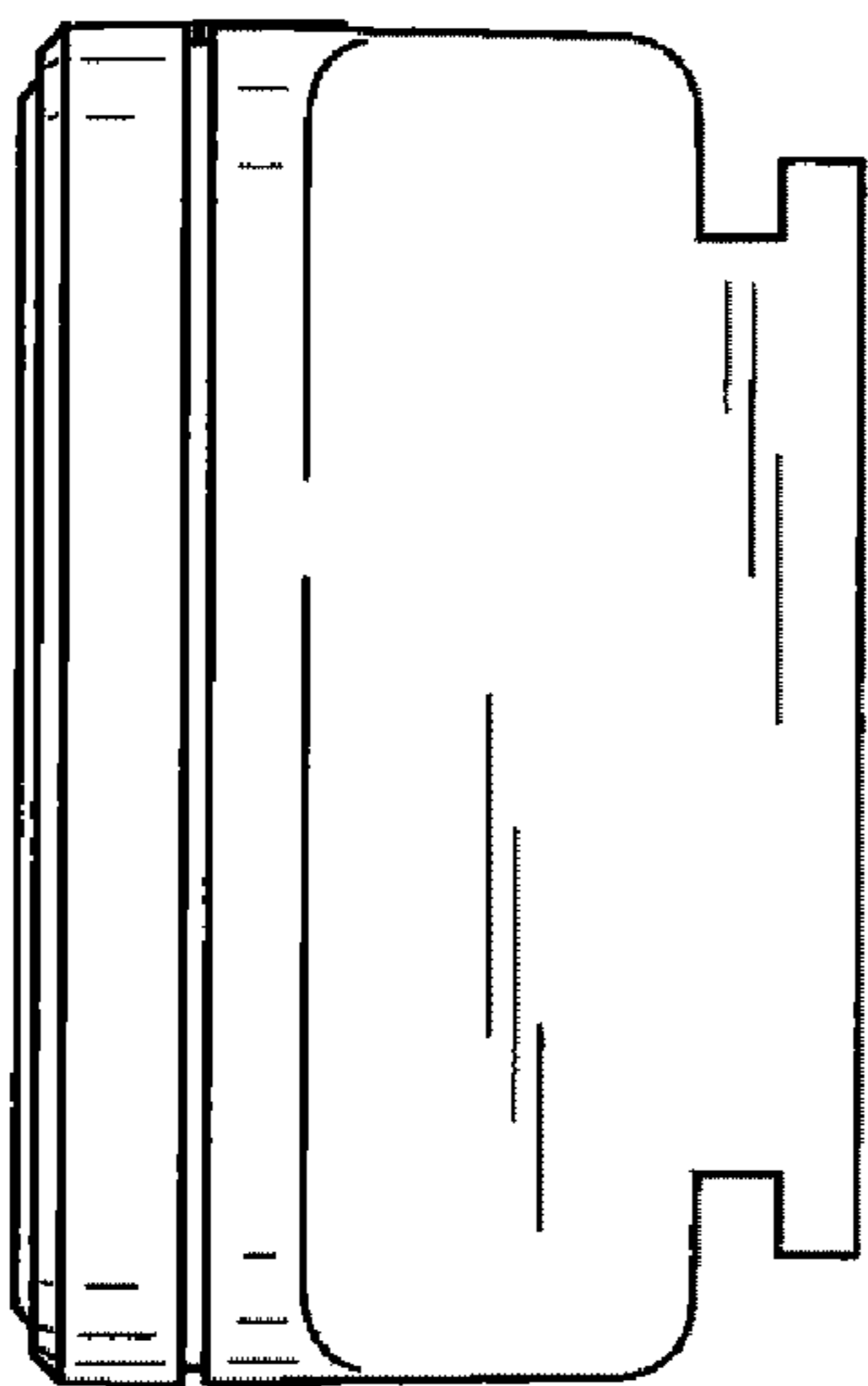


**FIG. 10**

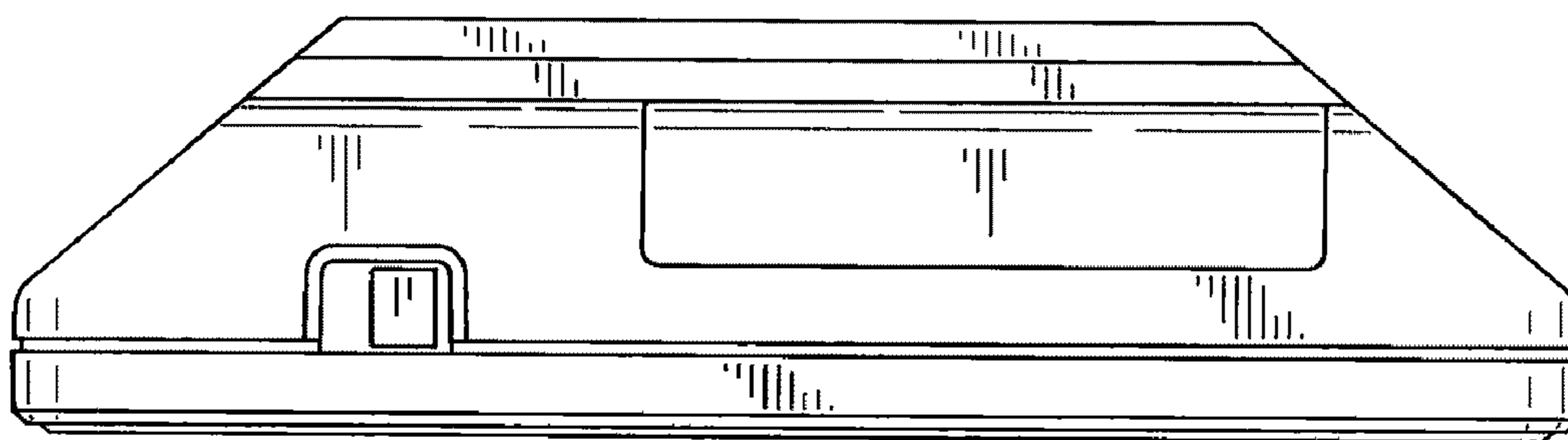




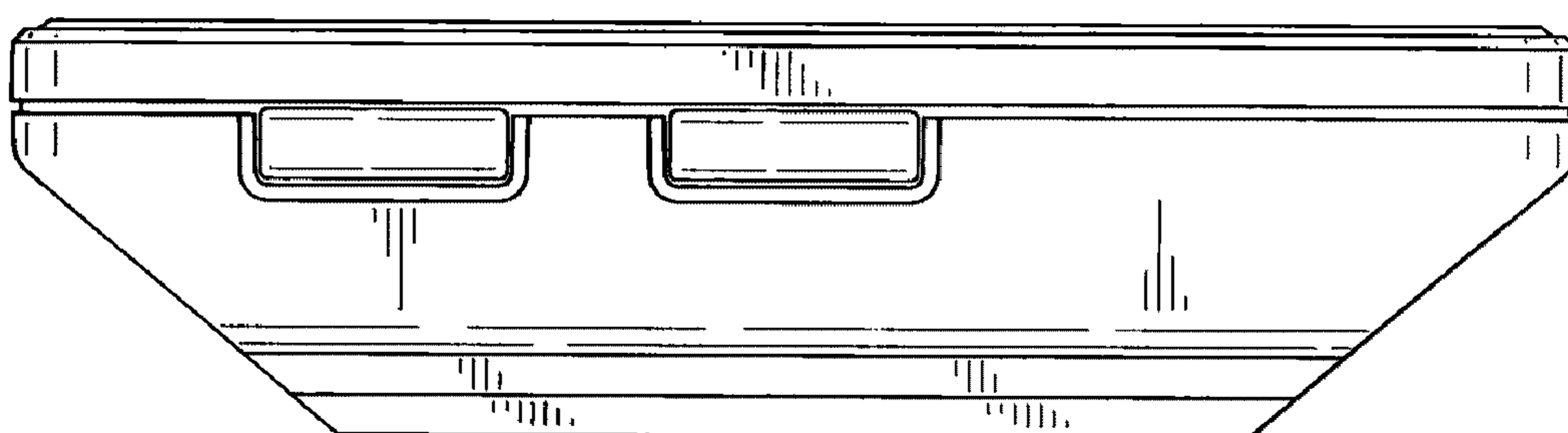
***FIG. 11***



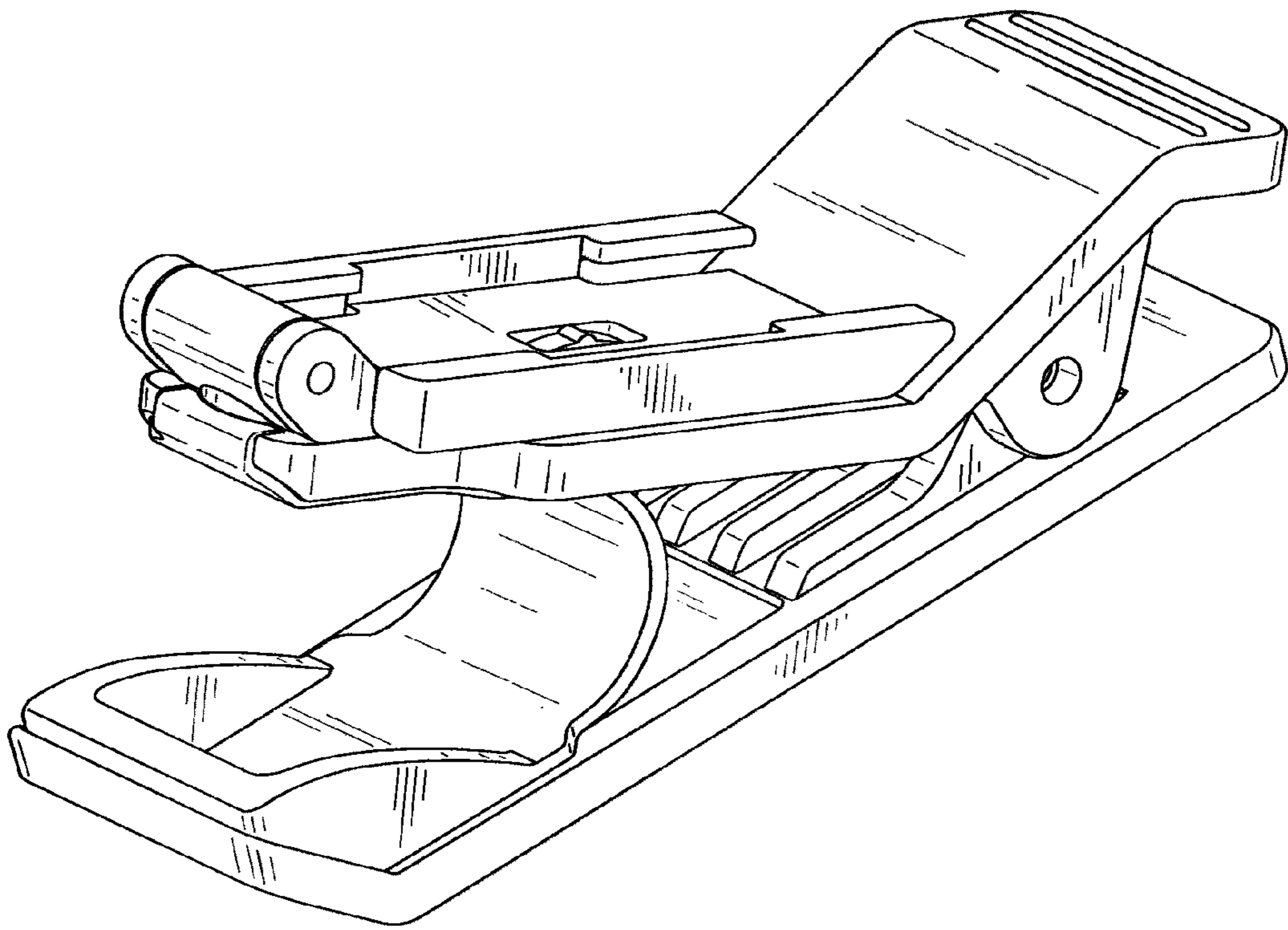
***FIG. 12***



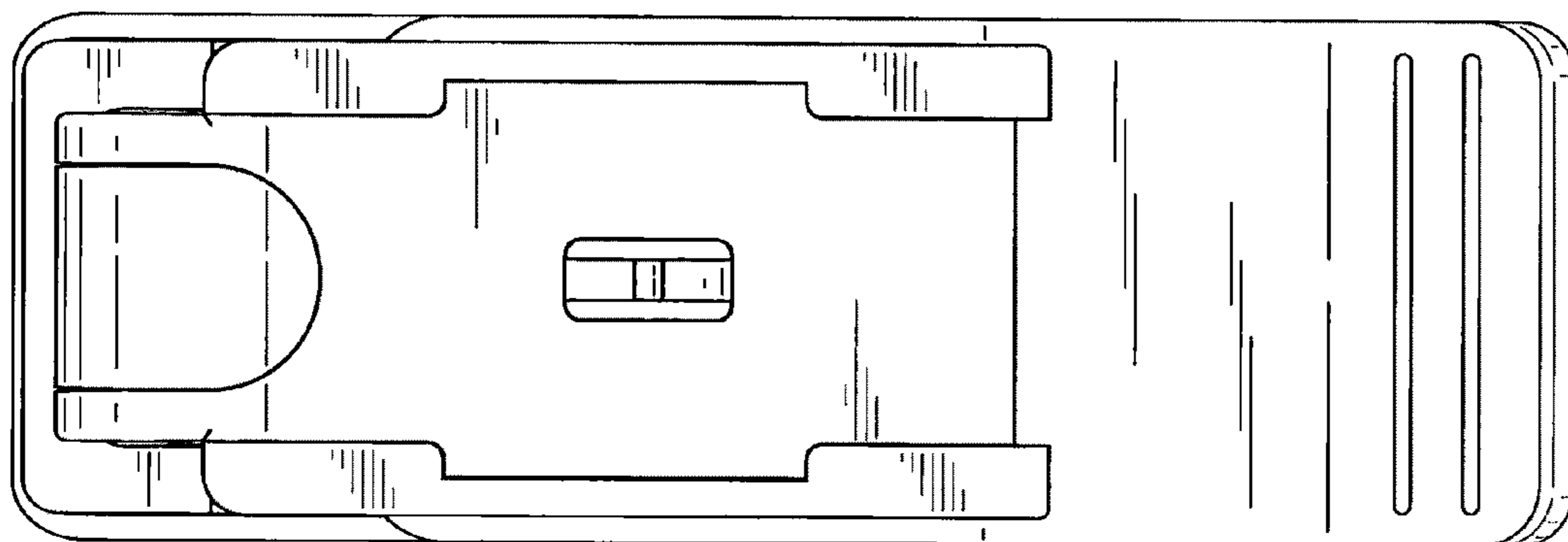
**FIG. 13**



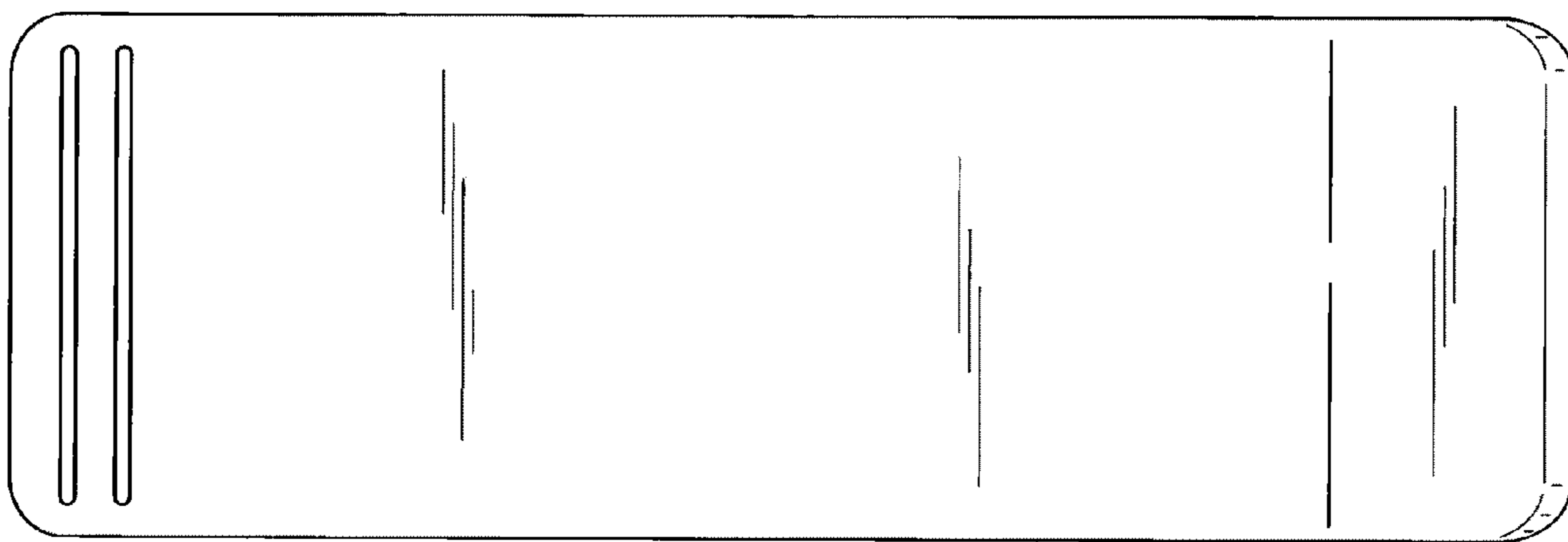
**FIG. 14**



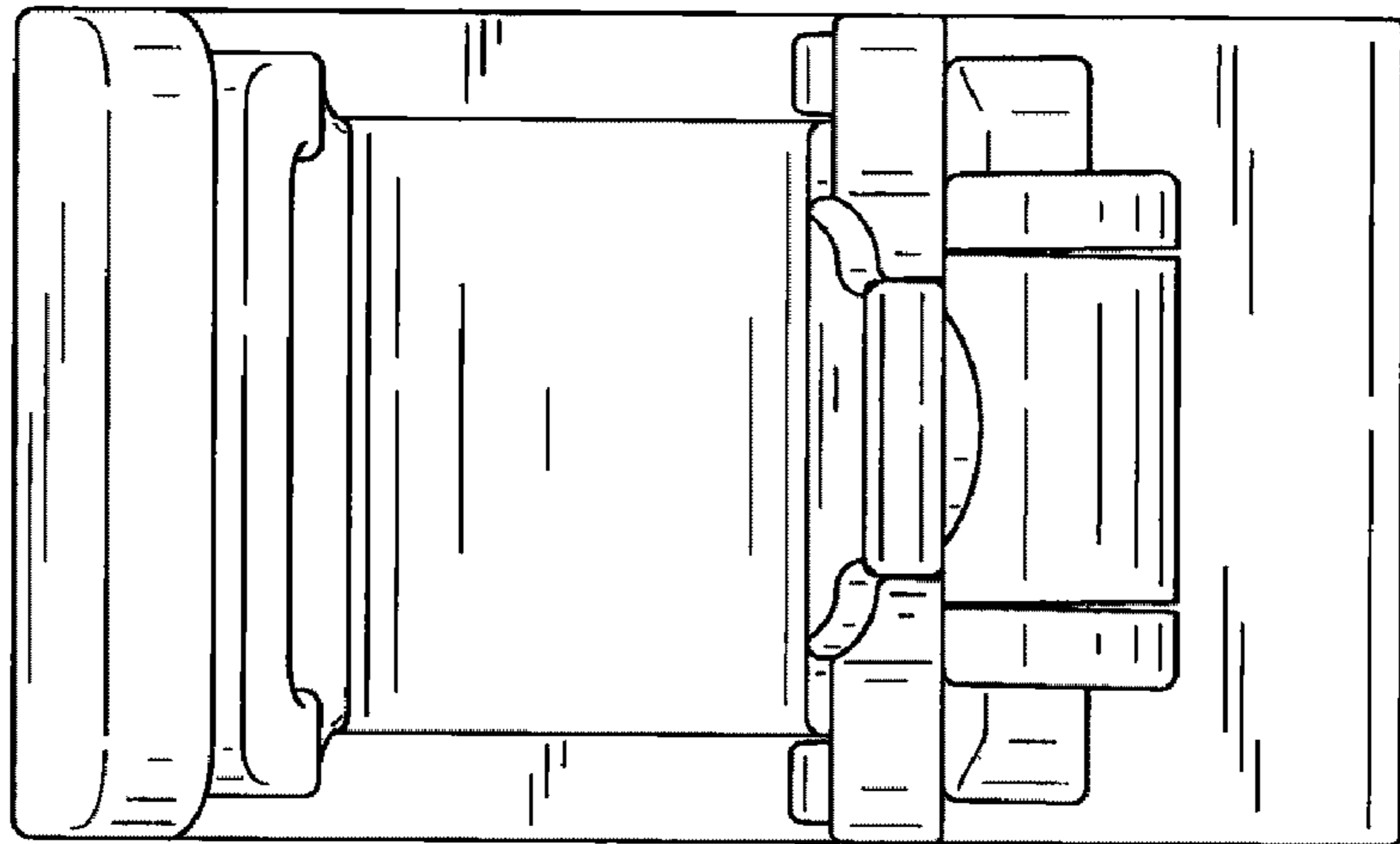
**FIG. 15**



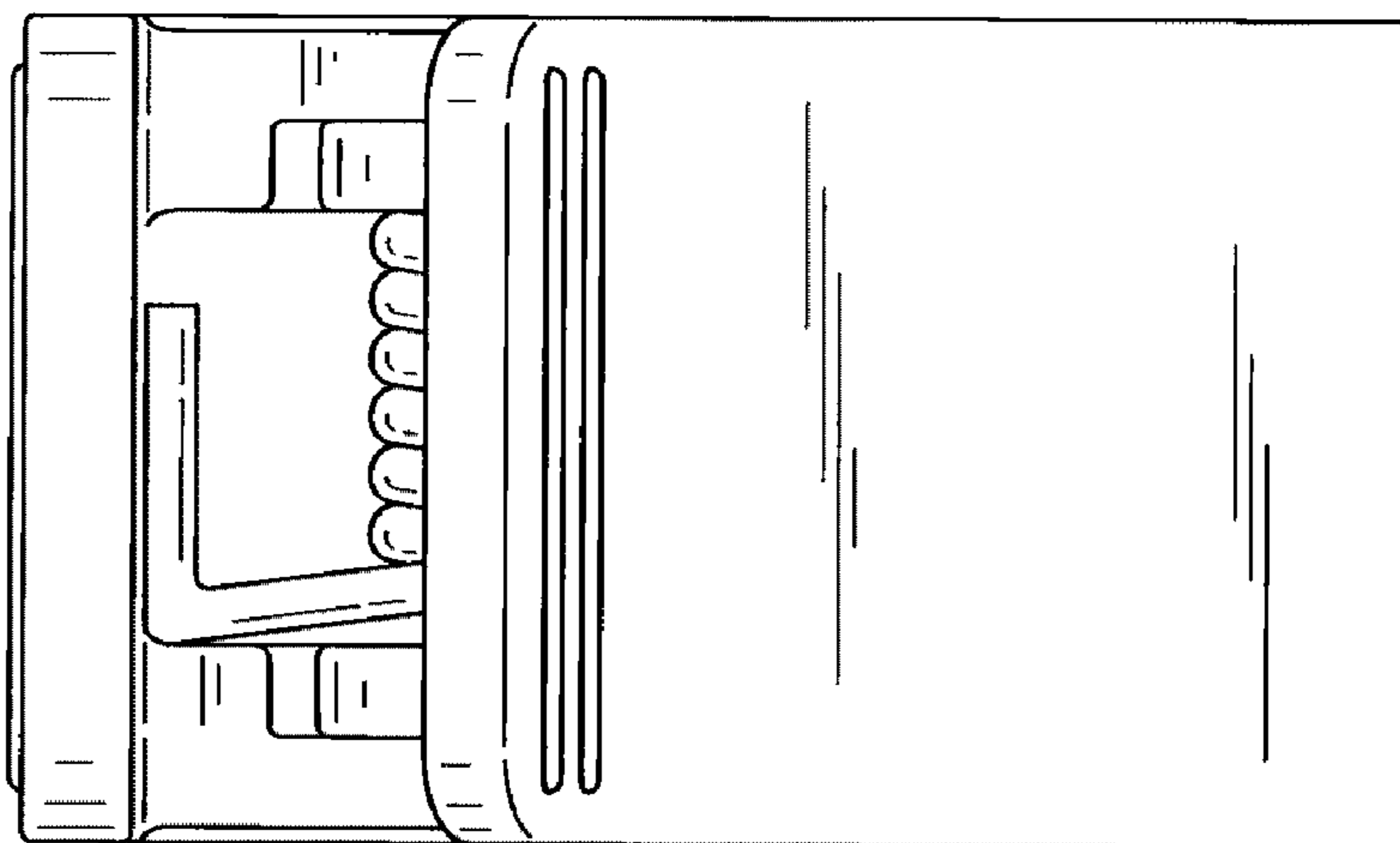
*FIG. 16*



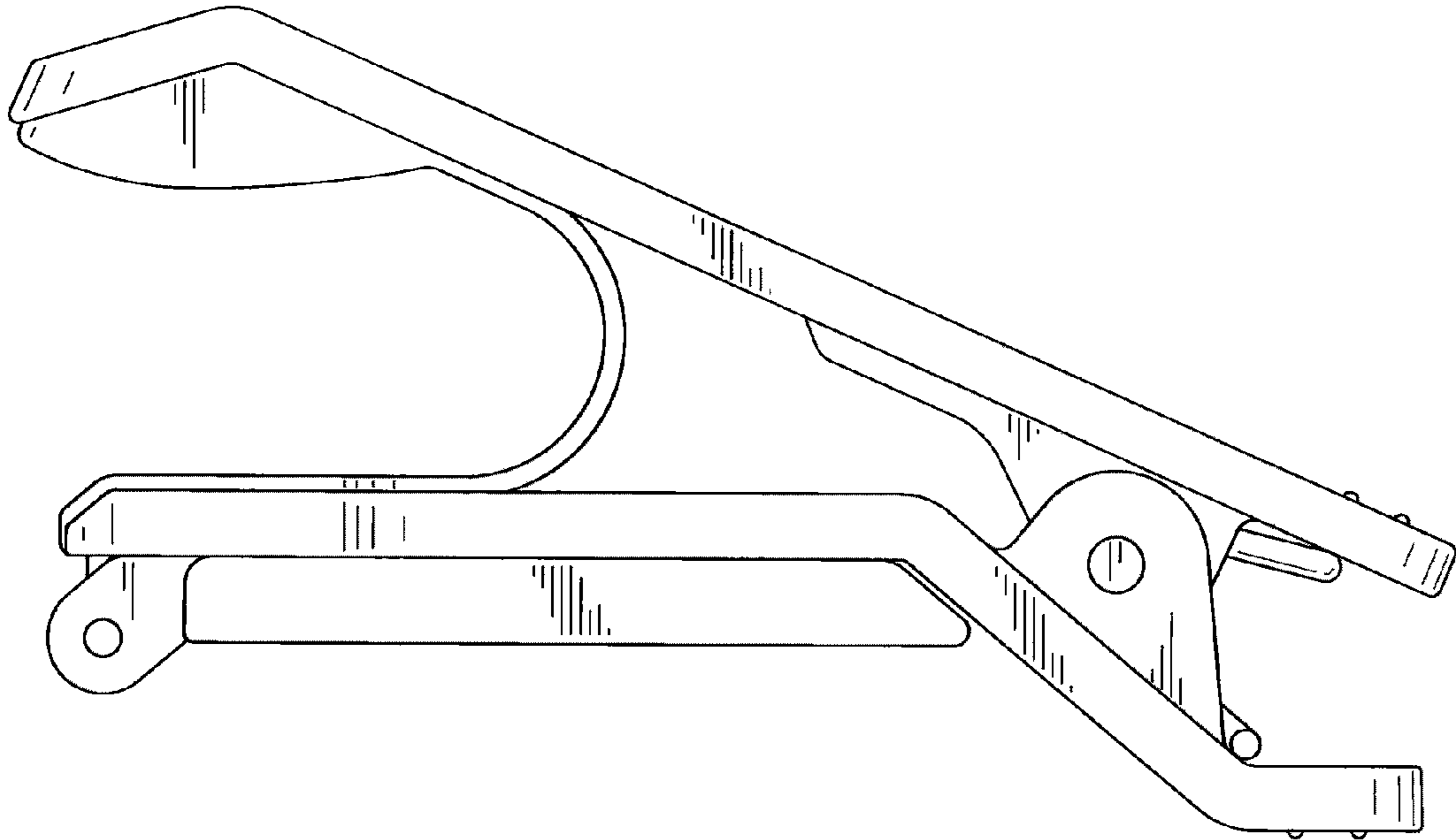
*FIG. 17*



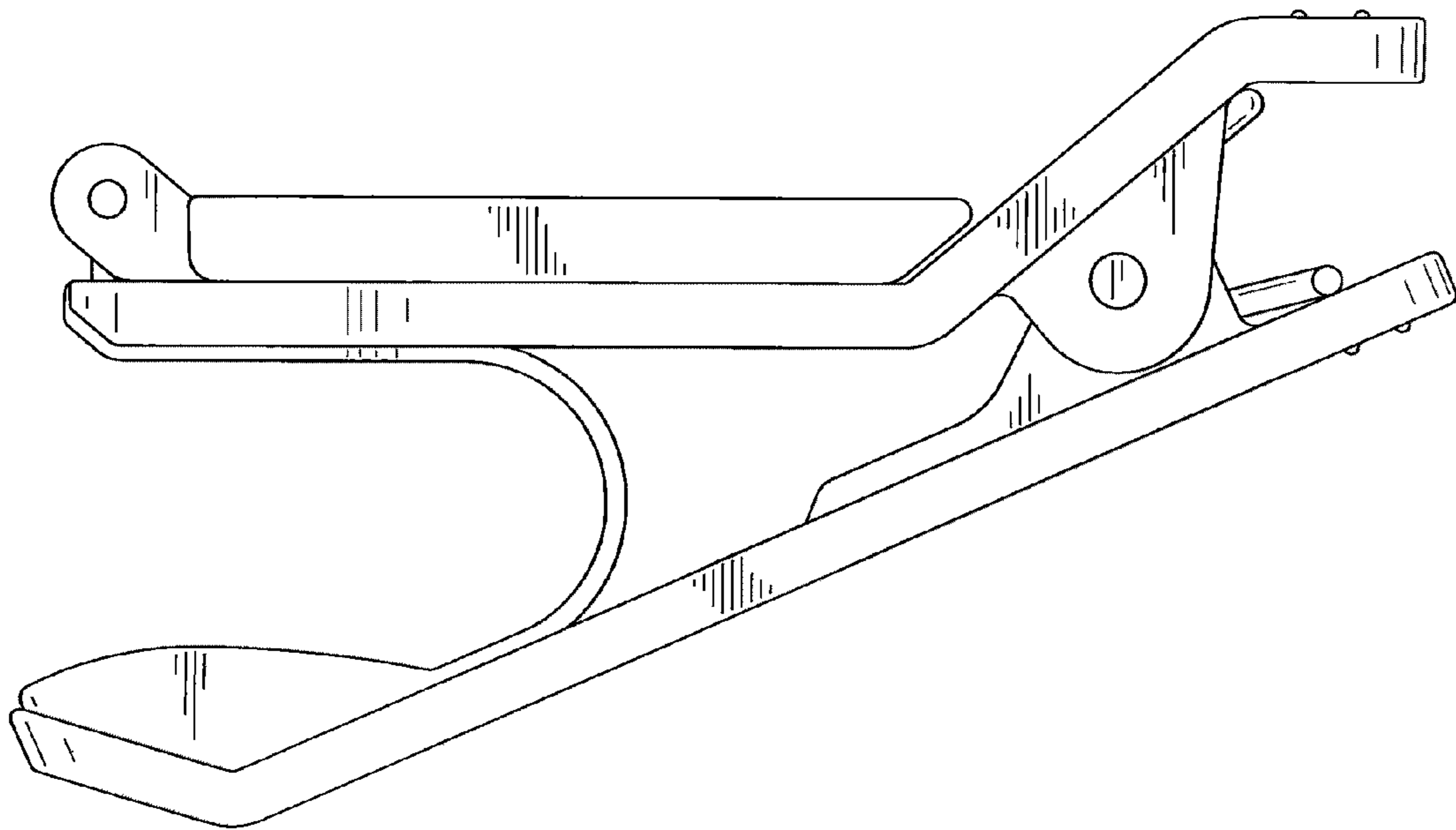
**FIG. 18**



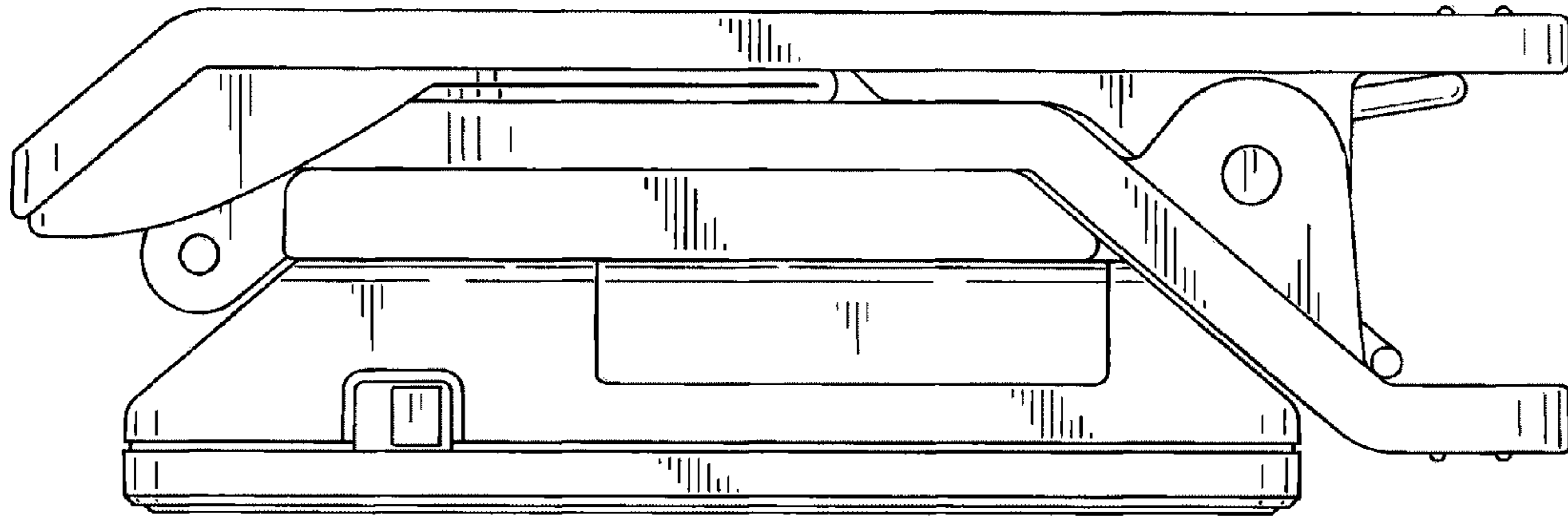
**FIG. 19**



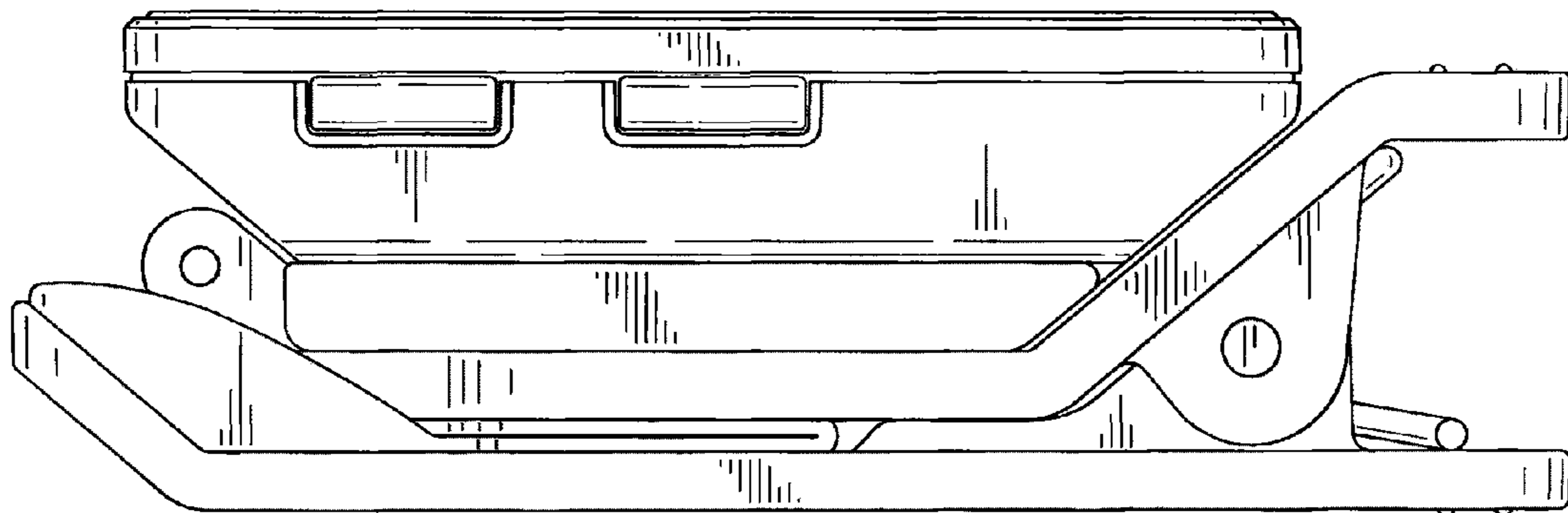
*FIG. 20*



*FIG. 21*



**FIG. 22**



**FIG. 23**