



US00D629833S

(12) **United States Design Patent**
Rayborn, Jr.

(10) **Patent No.:** **US D629,833 S**

(45) **Date of Patent:** **** Dec. 28, 2010**

(54) **SPECTACLE LANYARD**

D616,489 S * 5/2010 Houston D16/339
D619,637 S * 7/2010 Vanne D16/339

(75) Inventor: **R. Eric Rayborn, Jr.**, Gautier, MS (US)

* cited by examiner

(73) Assignee: **Alureing, LLC.**, Gautier, MS (US)

Primary Examiner—Cathron C Brooks

(**) Term: **14 Years**

Assistant Examiner—Melanie Levy

(21) Appl. No.: **29/362,193**

(74) *Attorney, Agent, or Firm*—Thomas, Kayden,
Horstemeyer & Risley, LLP.

(22) Filed: **May 21, 2010**

(57) **CLAIM**

(51) **LOC (9) Cl.** **16-06**

The ornamental design for a spectacle lanyard, as shown and described.

(52) **U.S. Cl.** **D16/339; D11/79**

(58) **Field of Classification Search** D11/1,
D11/2, 3, 79–85; 63/15, 3, 1.11; D16/101,
D16/300–342; D29/109–110; D24/110.2;
351/41, 44, 51–52, 62, 158, 92, 103–123,
351/140, 153, 45–46, 43; 2/13, 15
See application file for complete search history.

DESCRIPTION

(56) **References Cited**

U.S. PATENT DOCUMENTS

- D354,759 S * 1/1995 Wolff D16/339
- D354,760 S * 1/1995 Wolff D16/339
- D403,346 S * 12/1998 Roberts D16/339
- D416,038 S * 11/1999 Kalbach D16/339
- 6,027,213 A * 2/2000 Ignatowski D11/7
- 6,092,897 A * 7/2000 Smerdon, Jr. 351/157
- 6,817,468 B2 * 11/2004 Horesh 206/37
- 7,611,399 B2 * 11/2009 Brigham 450/36
- D607,919 S * 1/2010 Williams D16/339

FIG. 1 is a perspective view of a spectacle lanyard showing my new design;

FIG. 2 is a top plan view thereof;

FIG. 3 is a side view thereof, the opposite side of which is a mirror image;

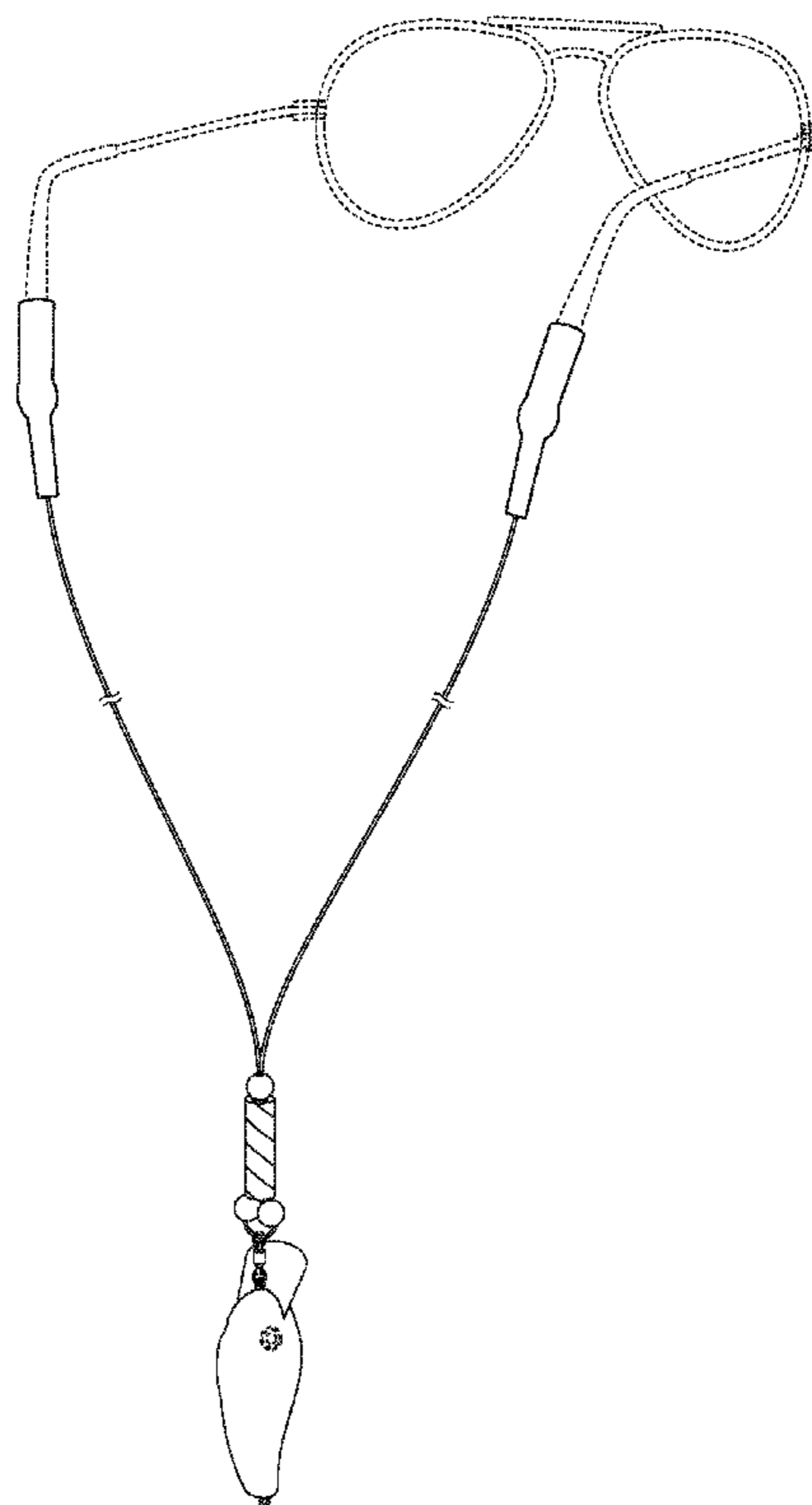
FIG. 4 is a back view thereof; and,

FIG. 5 is a front view thereof.

The broken lines shown in the drawings represent environment and unclaimed portions of the spectacle lanyard, and form no part thereof.

The long, narrow cylindrical elements are shown with a cut away portion to indicate a non-specified length.

1 Claim, 3 Drawing Sheets



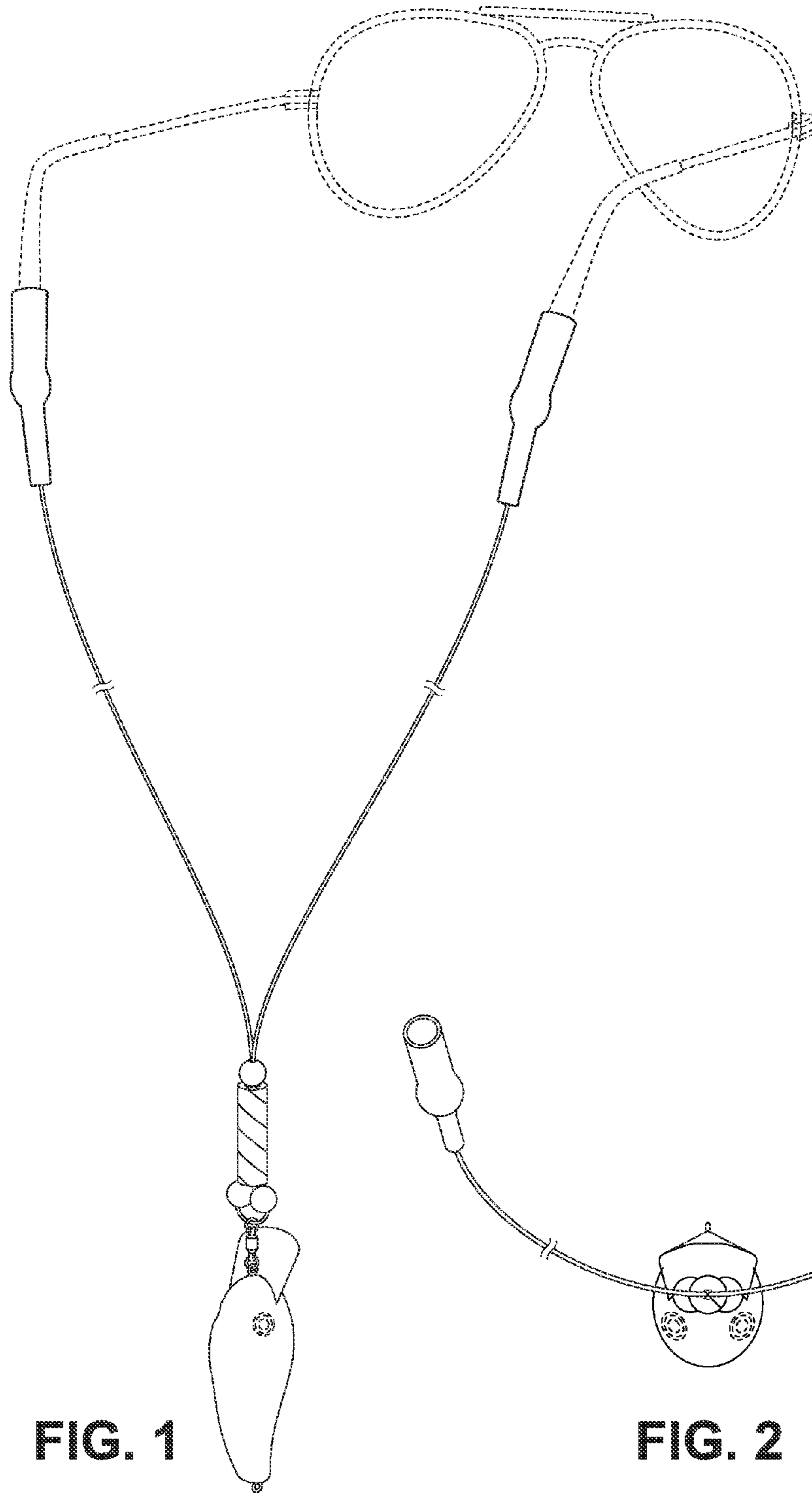


FIG. 1

FIG. 2

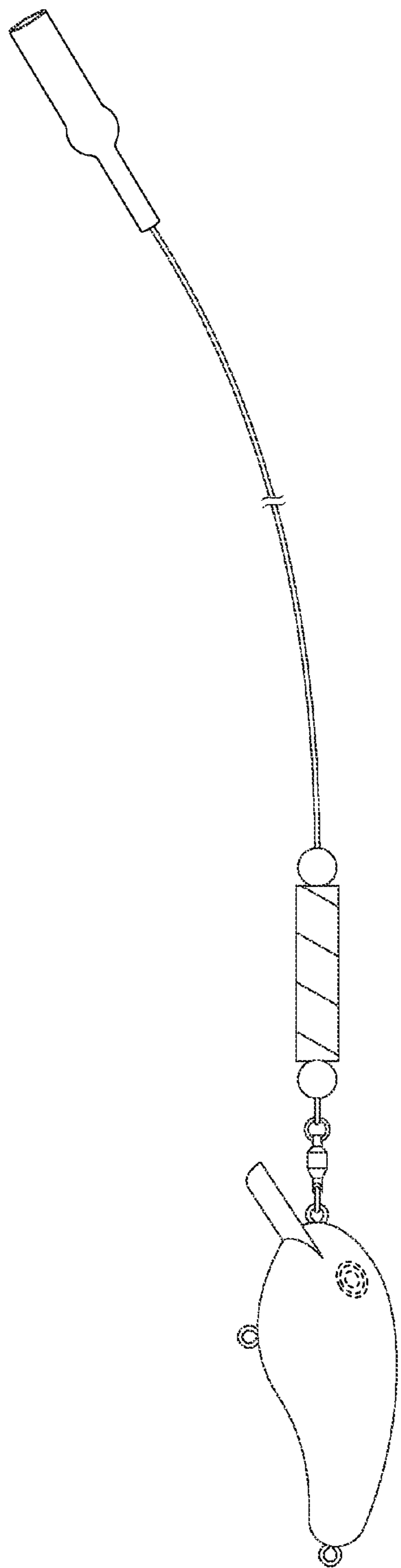


FIG. 3



FIG. 4



FIG. 5