



US00D629832S

(12) **United States Design Patent**
Sallard

(10) **Patent No.:** **US D629,832 S**

(45) **Date of Patent:** **** Dec. 28, 2010**

(54) **ARM FOR SPECTACLE FRAMES**

(75) Inventor: **Emmanuelle Sallard**, Paris (FR)

(73) Assignee: **Cartier Creation Studio SA** (CH)

(**) Term: **14 Years**

(21) Appl. No.: **29/360,210**

(22) Filed: **Apr. 22, 2010**

(51) **LOC (9) Cl.** **16-06**

(52) **U.S. Cl.** **D16/335**

(58) **Field of Classification Search** D16/101,
D16/300-342; D29/109-110; D24/110.2;
351/41, 44, 51-52, 62, 158, 92, 103-123,
351/140, 153, 45-46; 2/426-432, 447-449,
2/441, 434-437, 13, 15; D21/483, 659-661
See application file for complete search history.

(56) **References Cited**

U.S. PATENT DOCUMENTS

- D222,182 S * 10/1971 Shindler D16/321
- D294,951 S * 3/1988 Shelton et al. D16/321
- D371,382 S * 7/1996 Berthet-Bondet D16/326
- D417,883 S * 12/1999 Arnette D16/335
- D456,038 S * 4/2002 Arnette D16/326
- D532,438 S * 11/2006 Yang D16/321

- D537,862 S * 3/2007 Mouclier D16/315
- D553,175 S * 10/2007 Lamy D16/321
- D572,295 S * 7/2008 Taylor D16/326
- D582,967 S * 12/2008 Serlenga D16/326
- D597,584 S * 8/2009 Serlenga D16/316
- D616,014 S * 5/2010 Yang D16/315

* cited by examiner

Primary Examiner—Raphael Barkai

(74) *Attorney, Agent, or Firm*—Galbreath Law Offices, P.C.;
John A. Galbreath

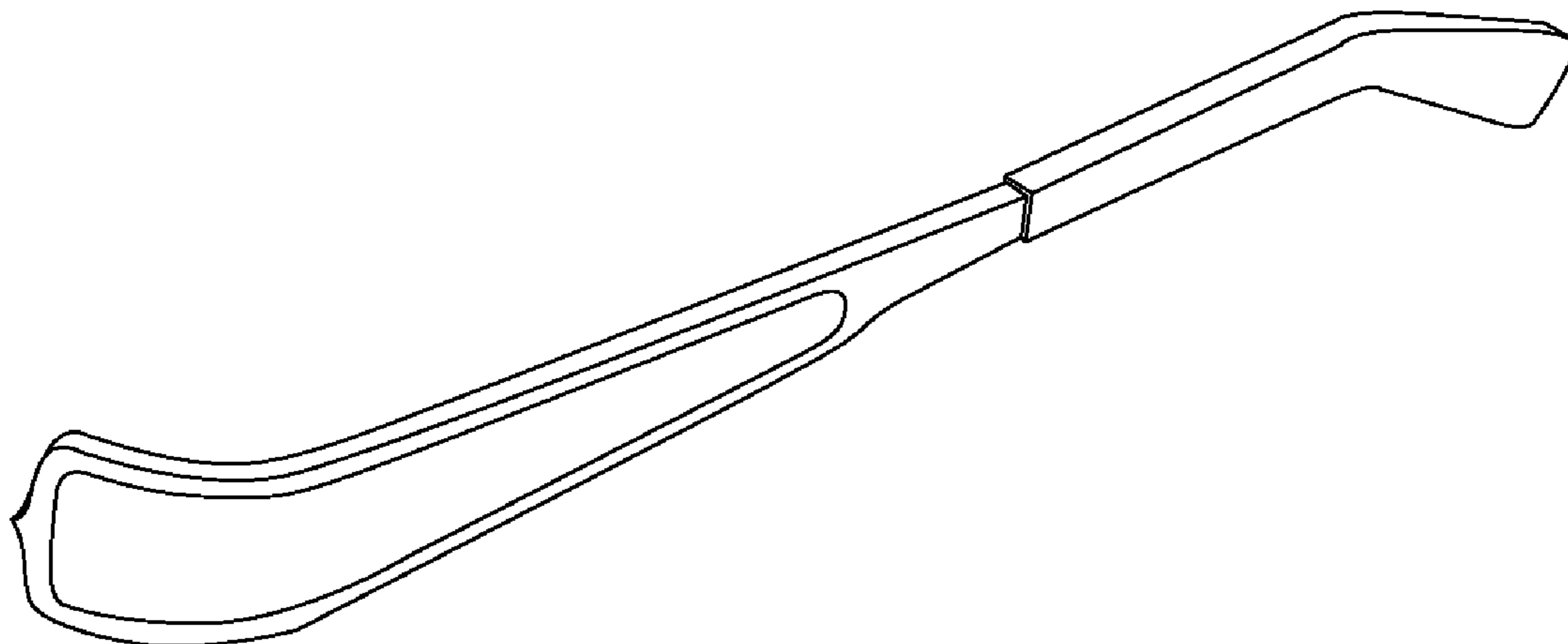
(57) **CLAIM**

The ornamental design for an arm for spectacle frames, as shown and described.

DESCRIPTION

- FIG. 1 is a side view of the invention;
- FIG. 2 is another side view of the invention, showing the side opposite that shown in FIG. 1;
- FIG. 3 is a top view of the invention;
- FIG. 4 is a bottom view of the invention;
- FIG. 5 is a back view of the invention;
- FIG. 6 is a front view of the invention; and,
- FIG. 7 is a perspective view of the invention.

1 Claim, 1 Drawing Sheet



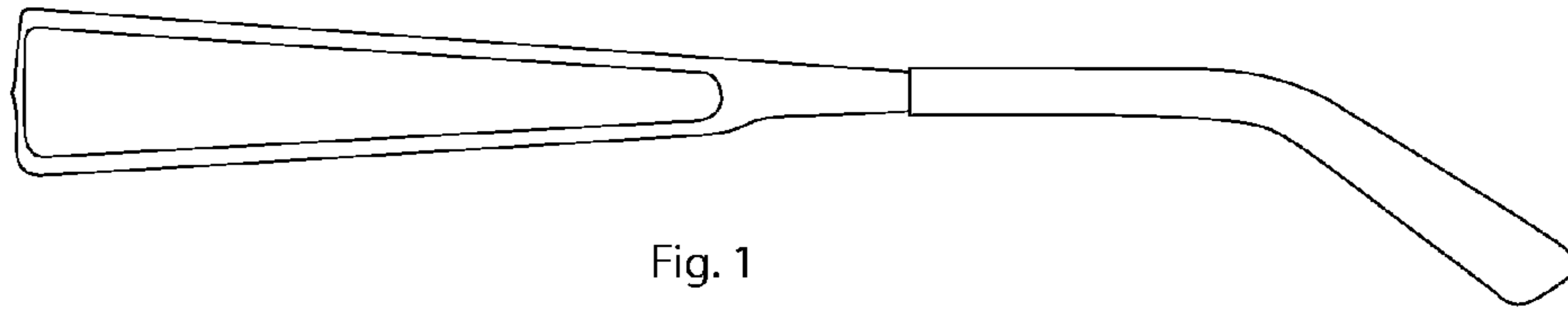


Fig. 1

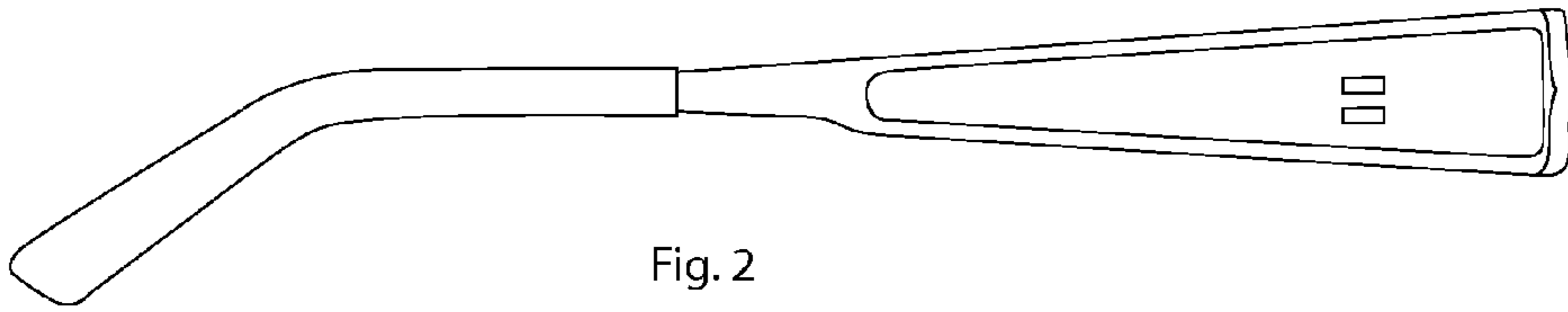


Fig. 2

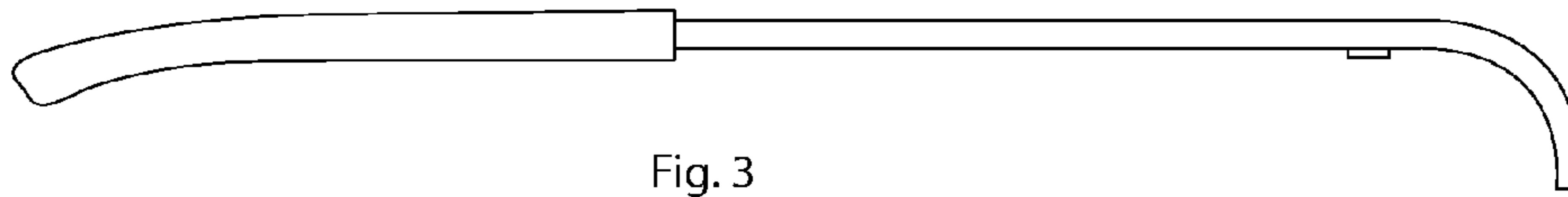


Fig. 3

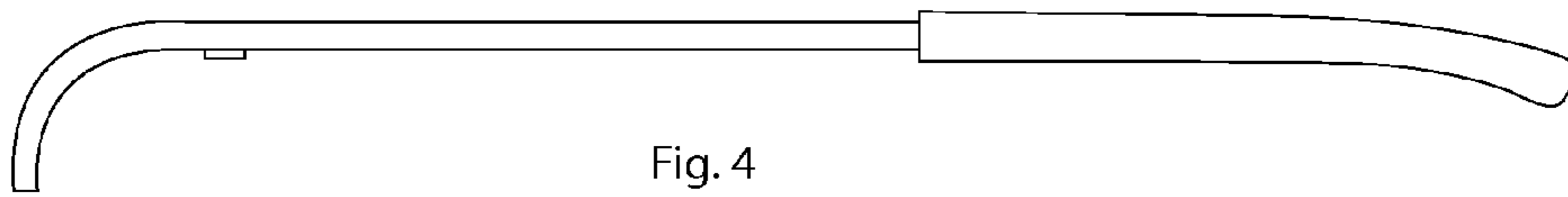


Fig. 4

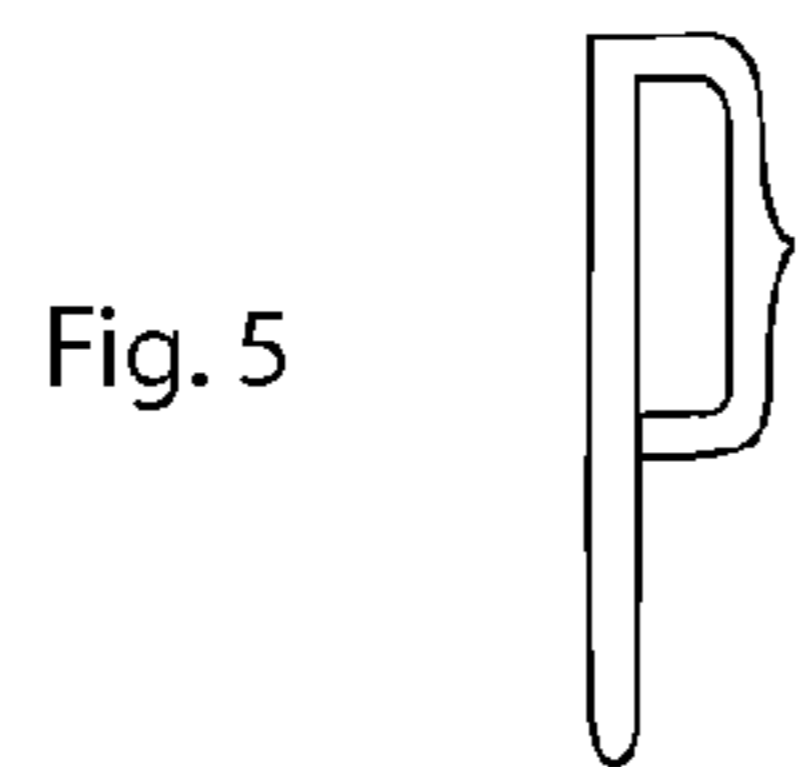


Fig. 5

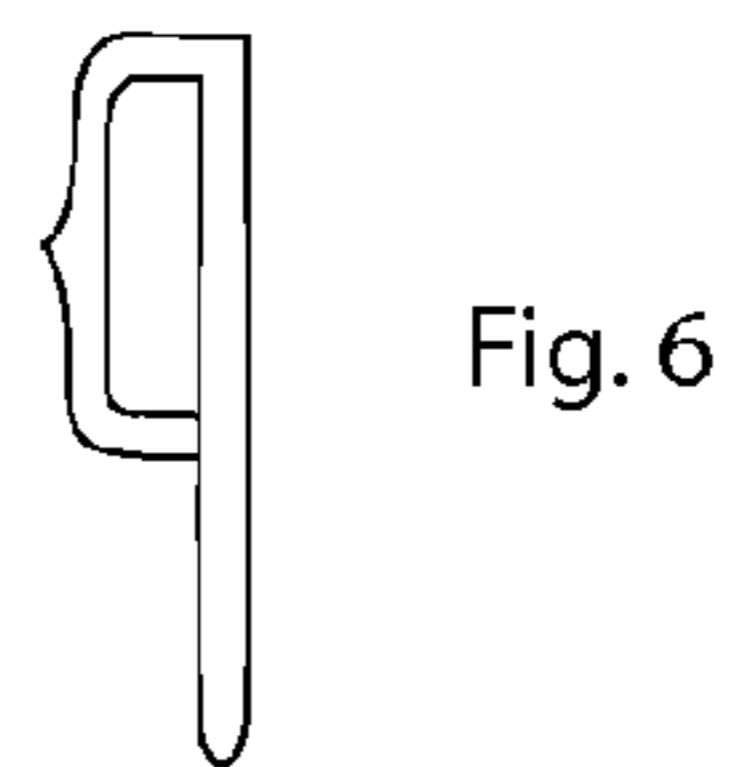


Fig. 6

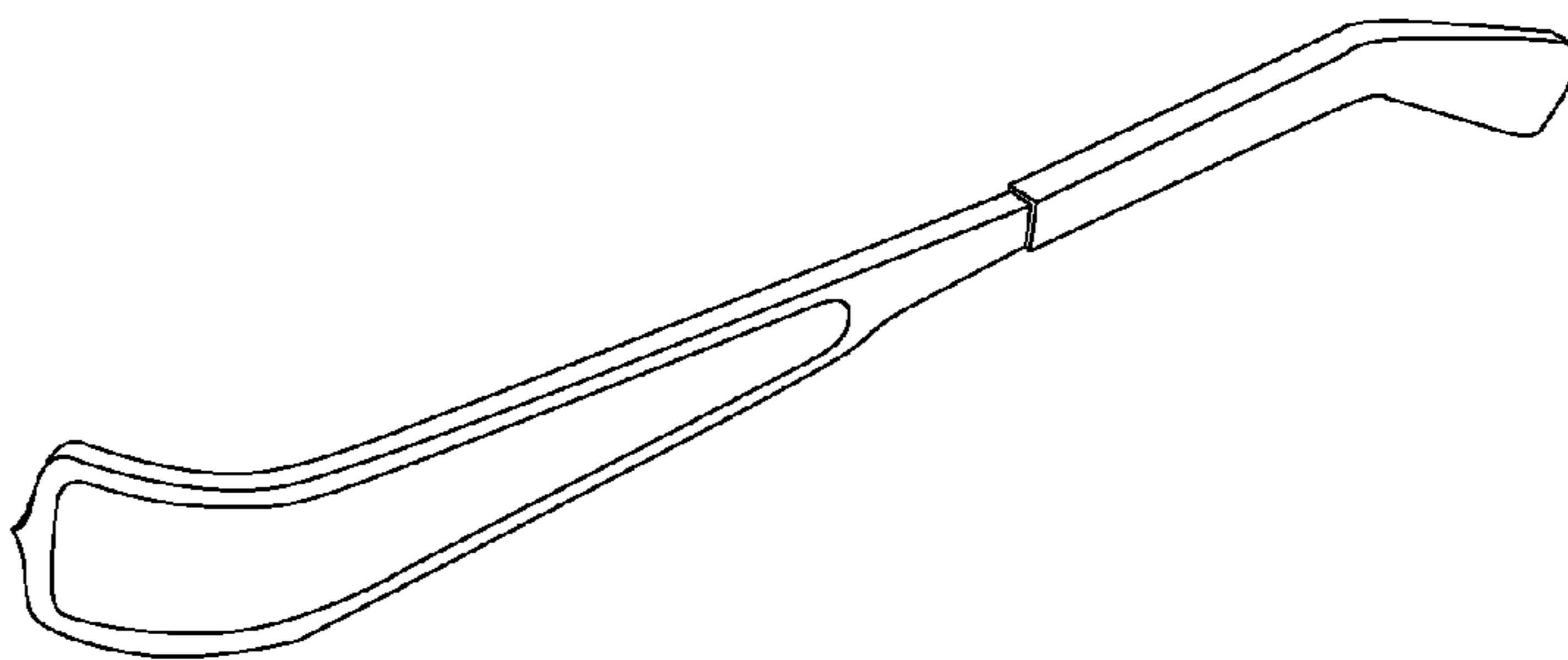


Fig. 7