



US00D629828S

(12) **United States Design Patent**
Guidolin

(10) **Patent No.:** **US D629,828 S**

(45) **Date of Patent:** **** Dec. 28, 2010**

(54) **SUPPORT HEAD FOR VIDEO AND/OR PHOTOGRAPHIC APPARATUSES**

D327,085 S * 6/1992 Miyauchi D16/245
D343,852 S * 2/1994 Haung D16/245

(75) Inventor: **Alberto Guidolin**, Stroppare di Tezze sul Brenta (IT)

* cited by examiner

Primary Examiner—Adir Aronovich

(73) Assignee: **Lino Manfrotto + Co. S.p.A.**, Bassano Del Grappa (VI)

(74) *Attorney, Agent, or Firm*—Kristina Castellano; Castellano PLLC.

(**) Term: **14 Years**

(57) **CLAIM**

(21) Appl. No.: **29/358,680**

The ornamental design for a support head for video and/or photographic apparatuses, as shown and described.

(22) Filed: **Mar. 30, 2010**

DESCRIPTION

(30) **Foreign Application Priority Data**

Mar. 16, 2010 (EM) 001681990

FIG. 1 is a top, front and right side perspective view of a support head for video and/or photographic apparatuses showing my present design;

(51) **LOC (9) Cl.** **16-05**

FIG. 2 is a front elevational view thereof;

(52) **U.S. Cl.** **D16/245**

FIG. 3 is a rear elevational view thereof;

(58) **Field of Classification Search** D16/242, D16/244, 245; 248/177.1, 187.1, 183.2; 352/243; 396/419, 421, 428

FIG. 4 is a left elevational view thereof;

FIG. 5 is a right elevational view thereof;

See application file for complete search history.

FIG. 6 is top plan view thereof;

FIG. 7 is bottom plan view thereof; and,

FIG. 8 is a top, rear and left side perspective view thereof.

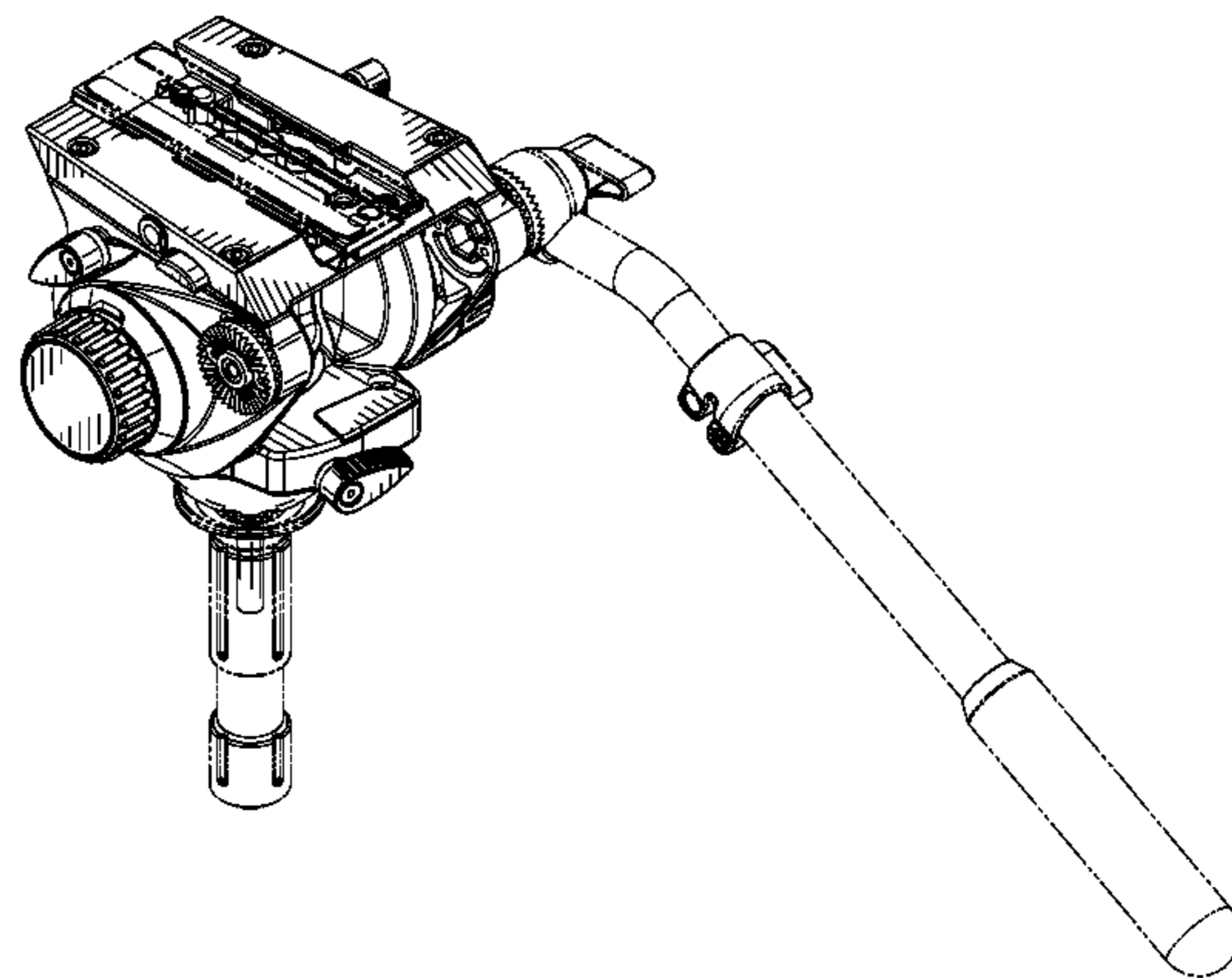
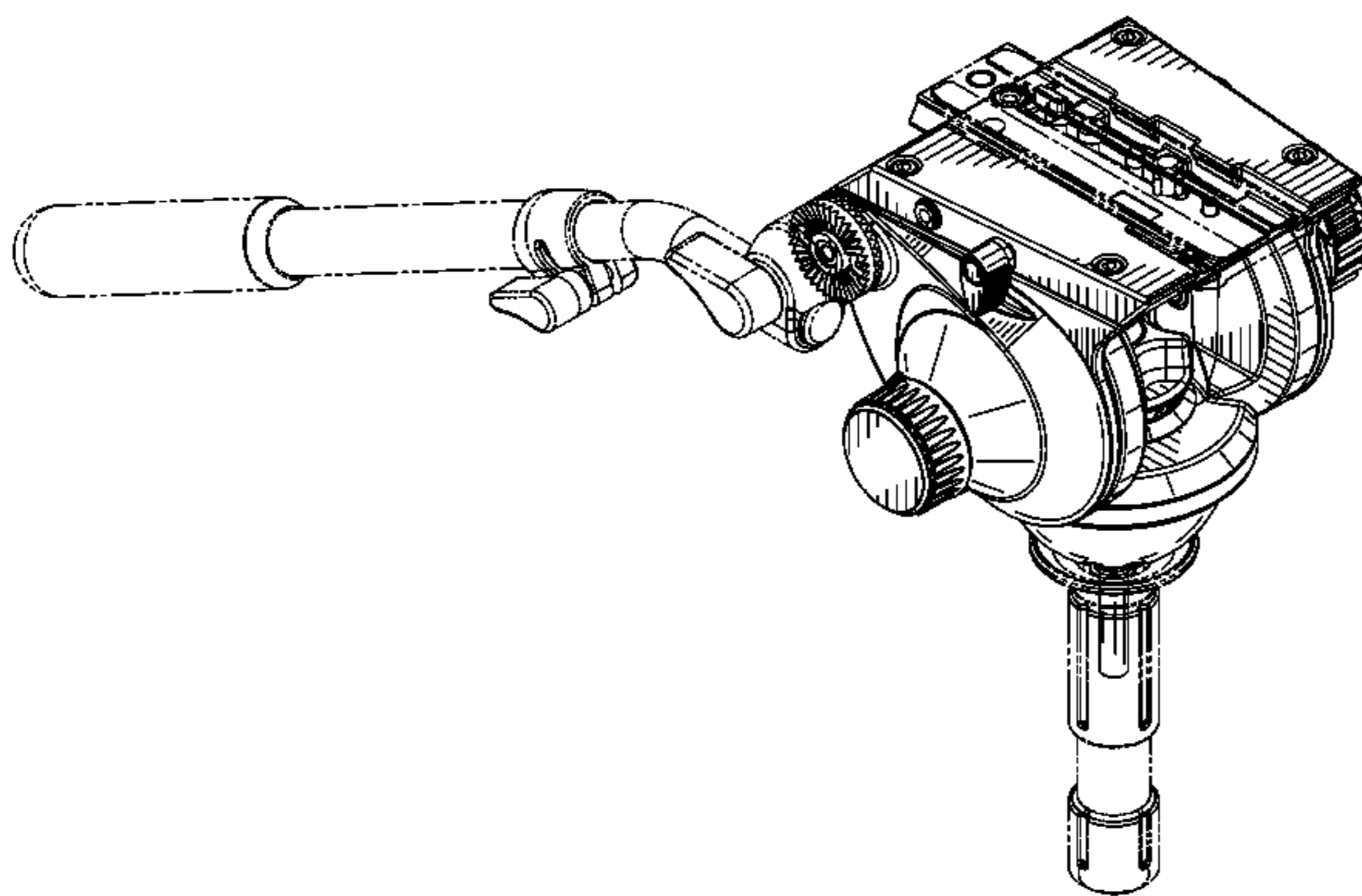
(56) **References Cited**

U.S. PATENT DOCUMENTS

3,163,387 A * 12/1964 Thomas 248/183.2
D289,899 S * 5/1987 Iwasaki D16/245
4,959,671 A * 9/1990 Ishikawa 248/183.2
5,012,265 A * 4/1991 Nakatani 352/243

The portions of the article in broken lines are shown for illustrative purposes only and form no part of the claimed design.

1 Claim, 7 Drawing Sheets



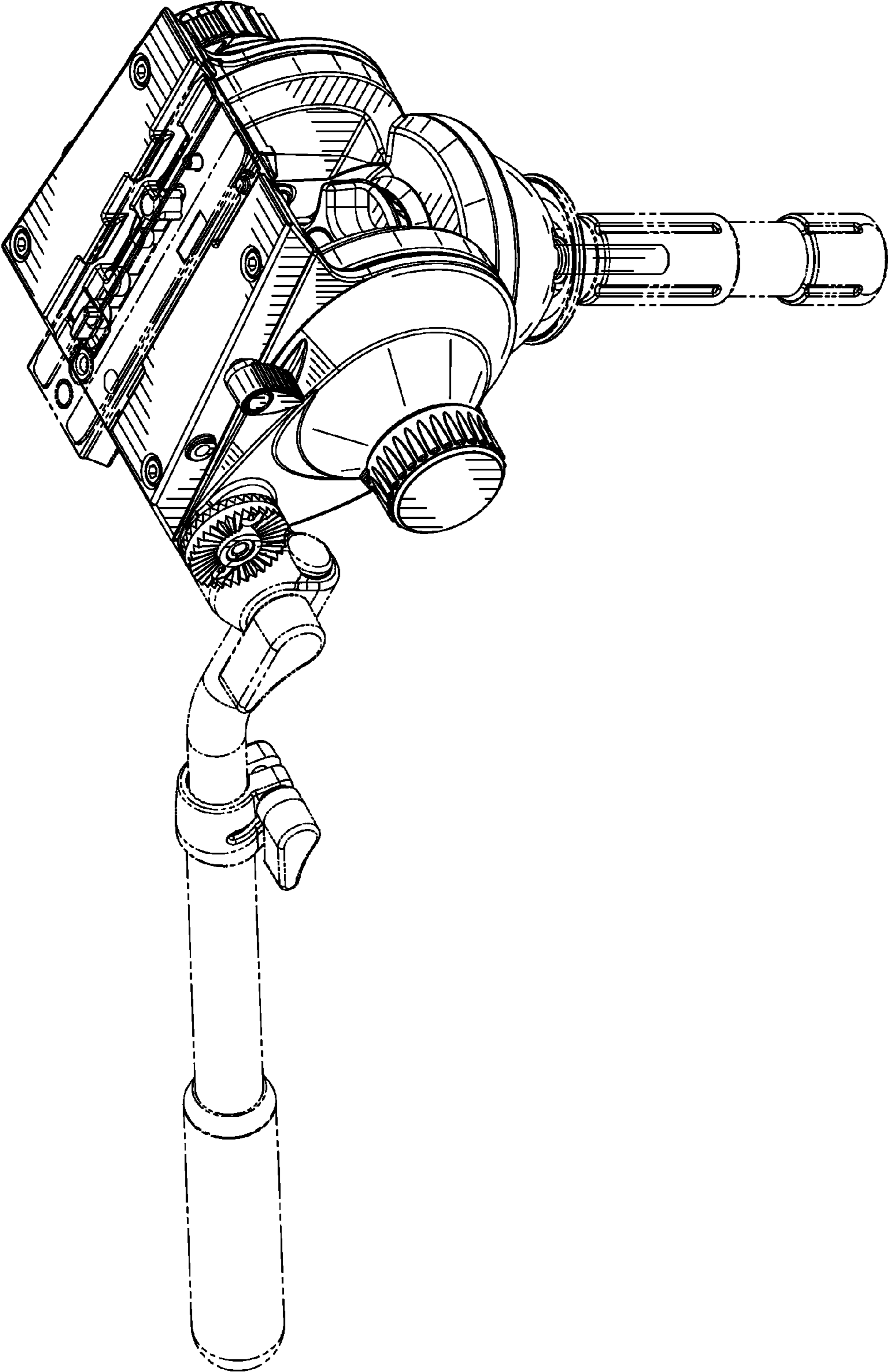


FIG. 1

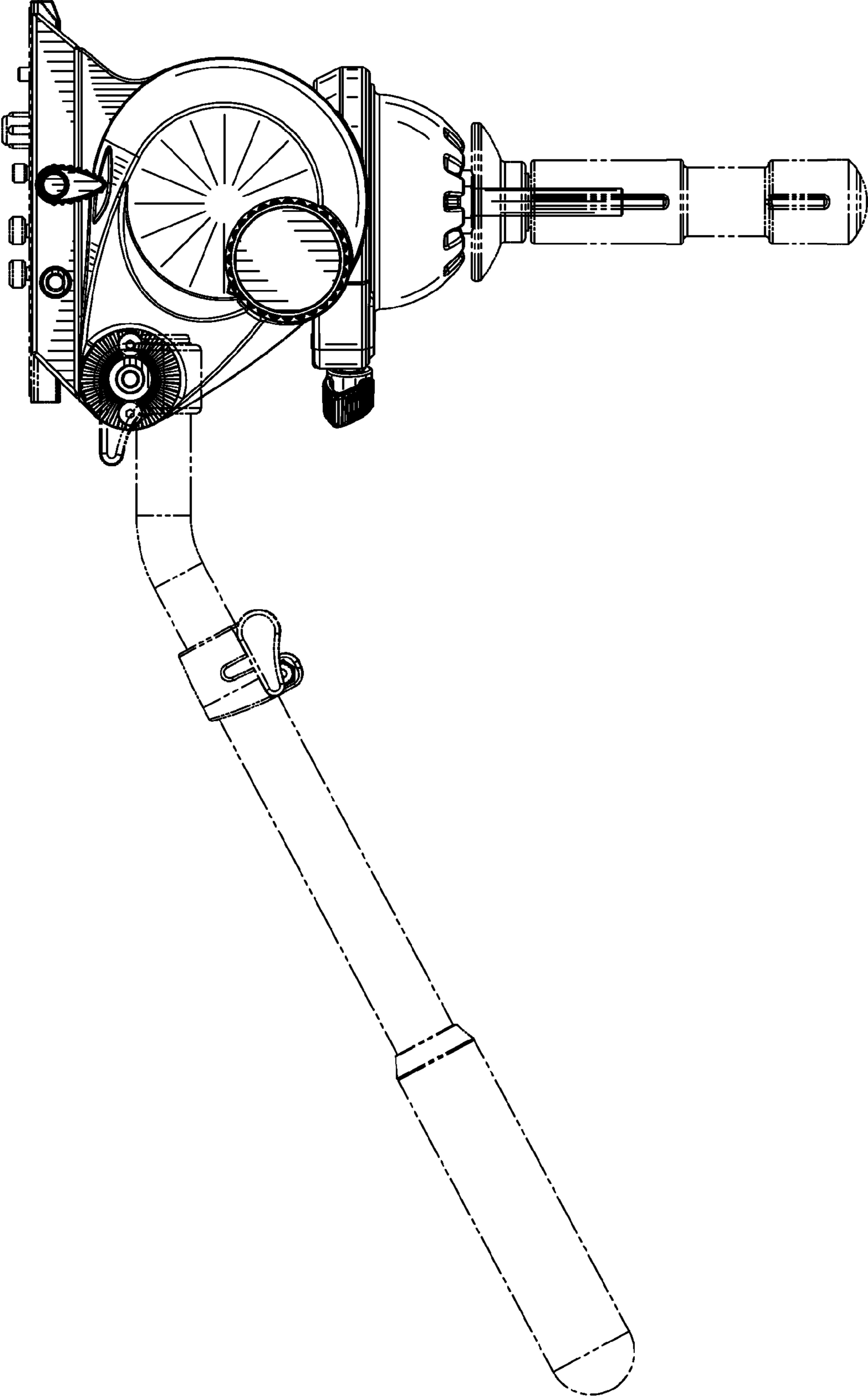


FIG. 2

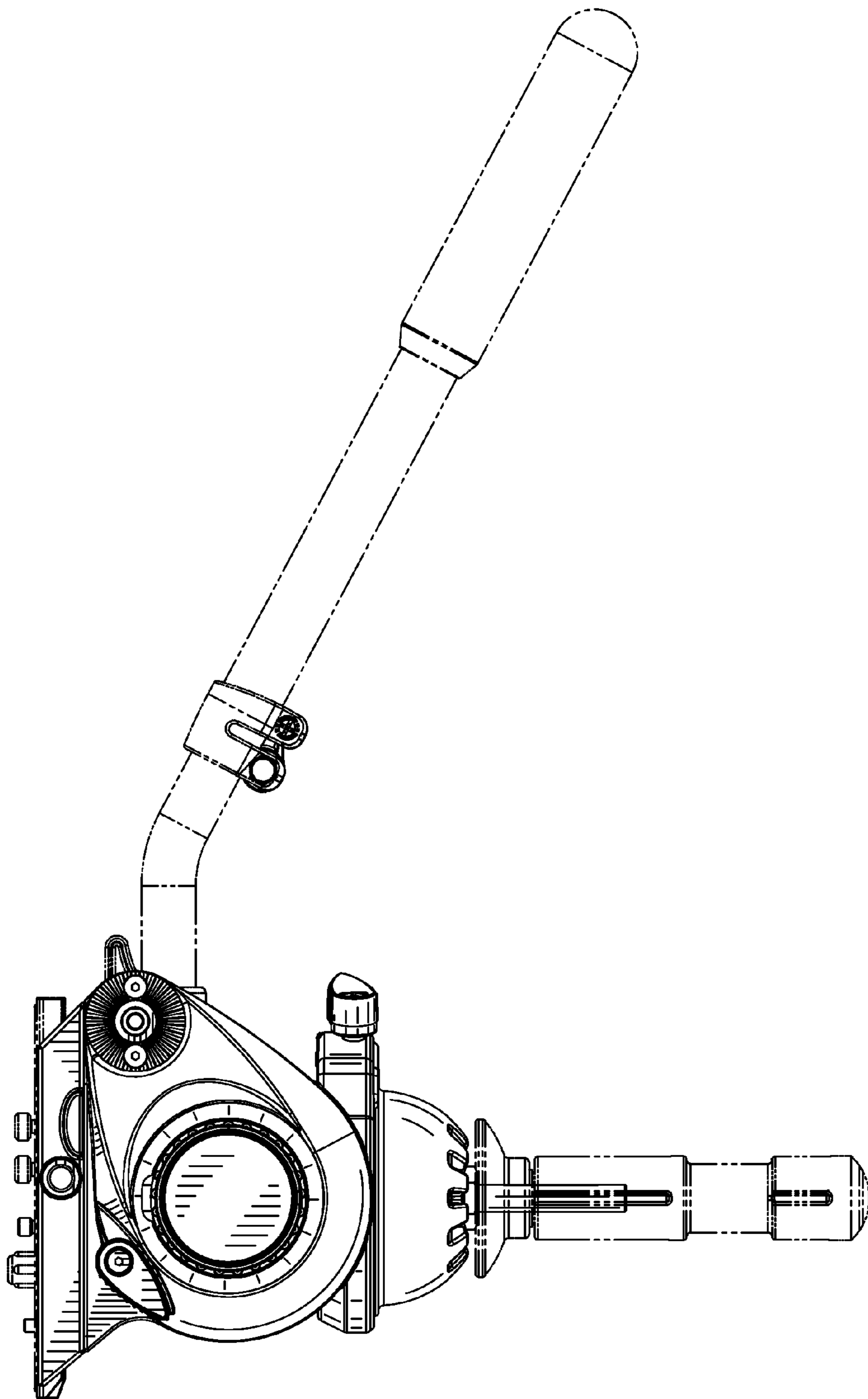


FIG. 3

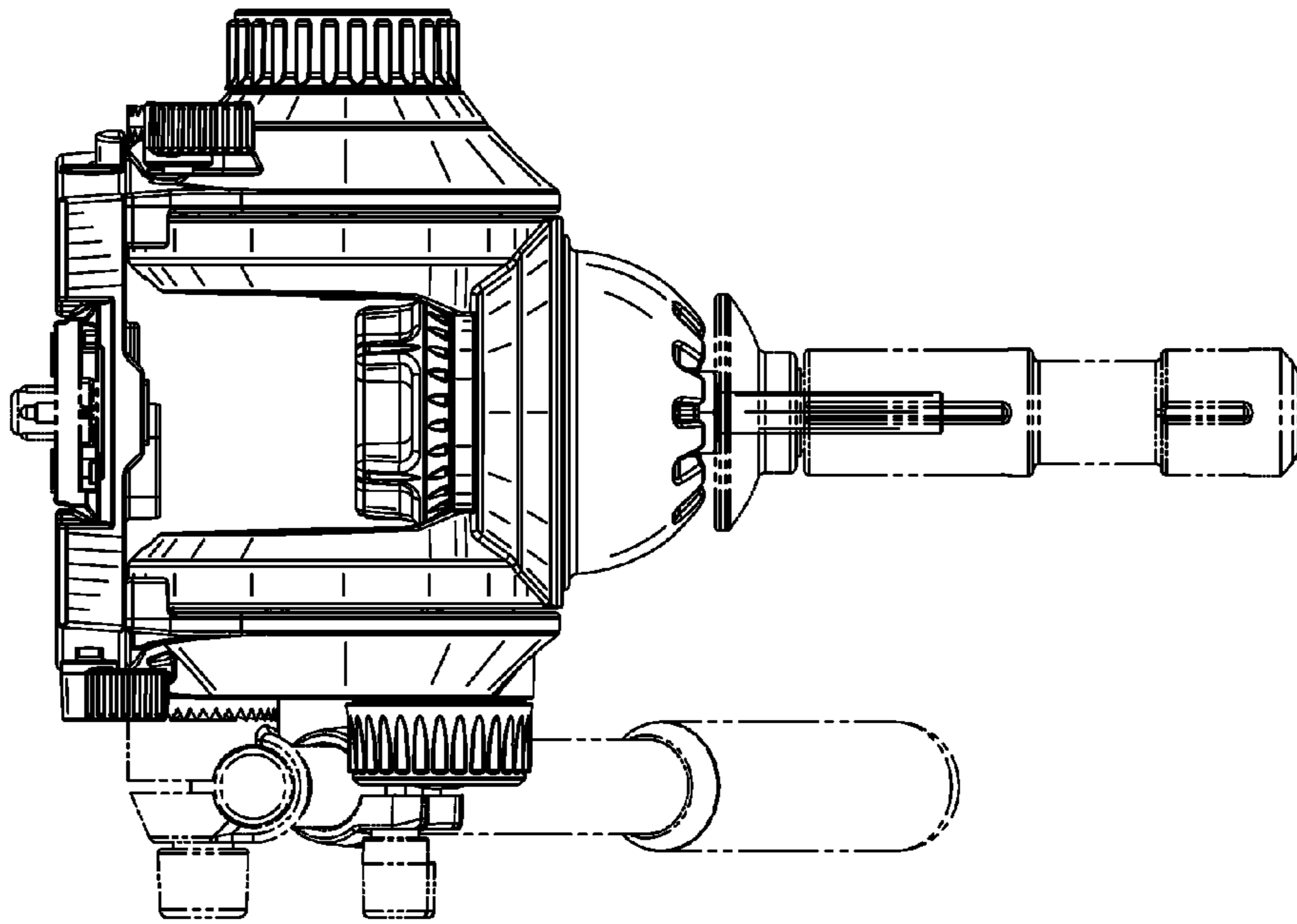


FIG. 5

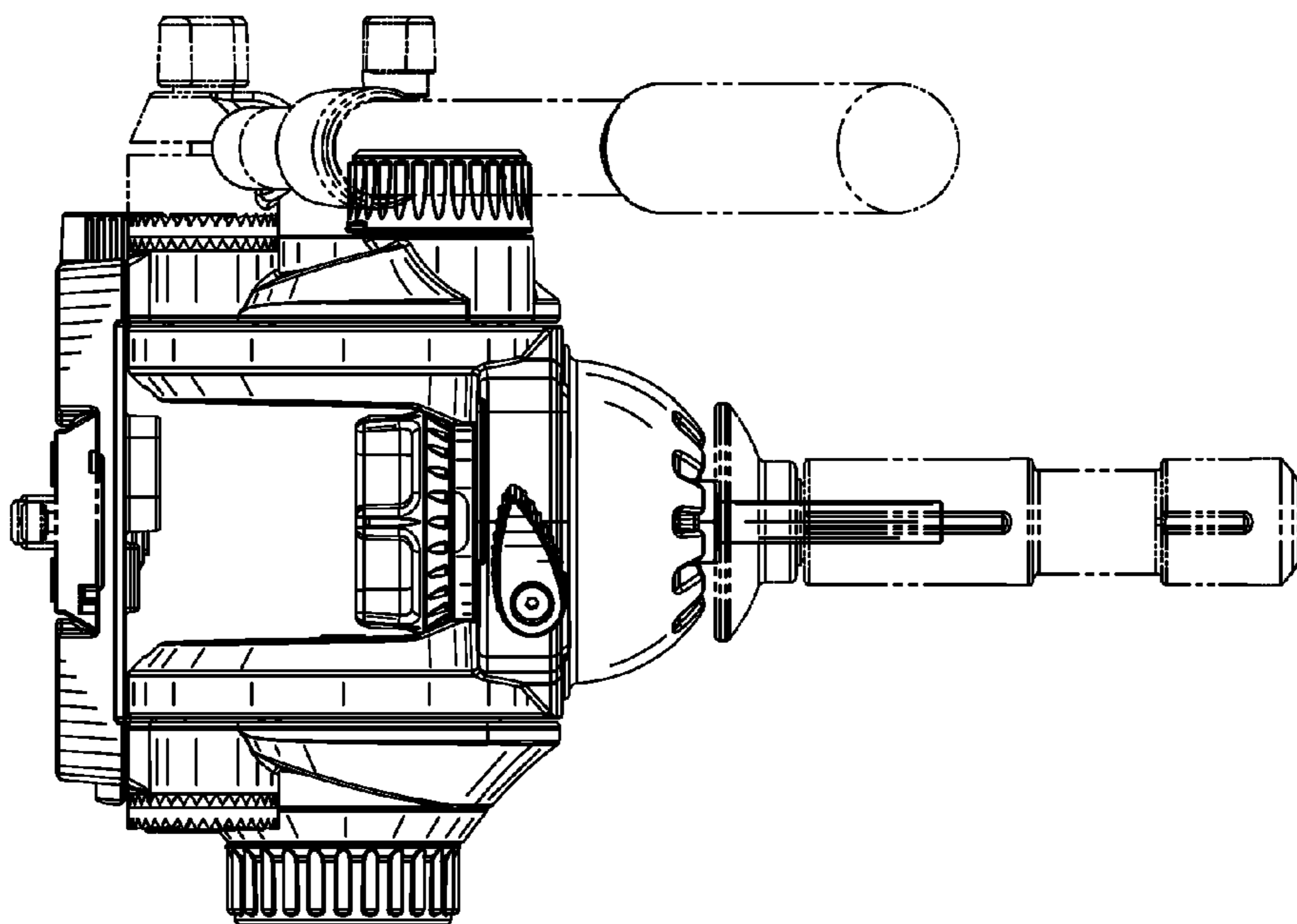


FIG. 4

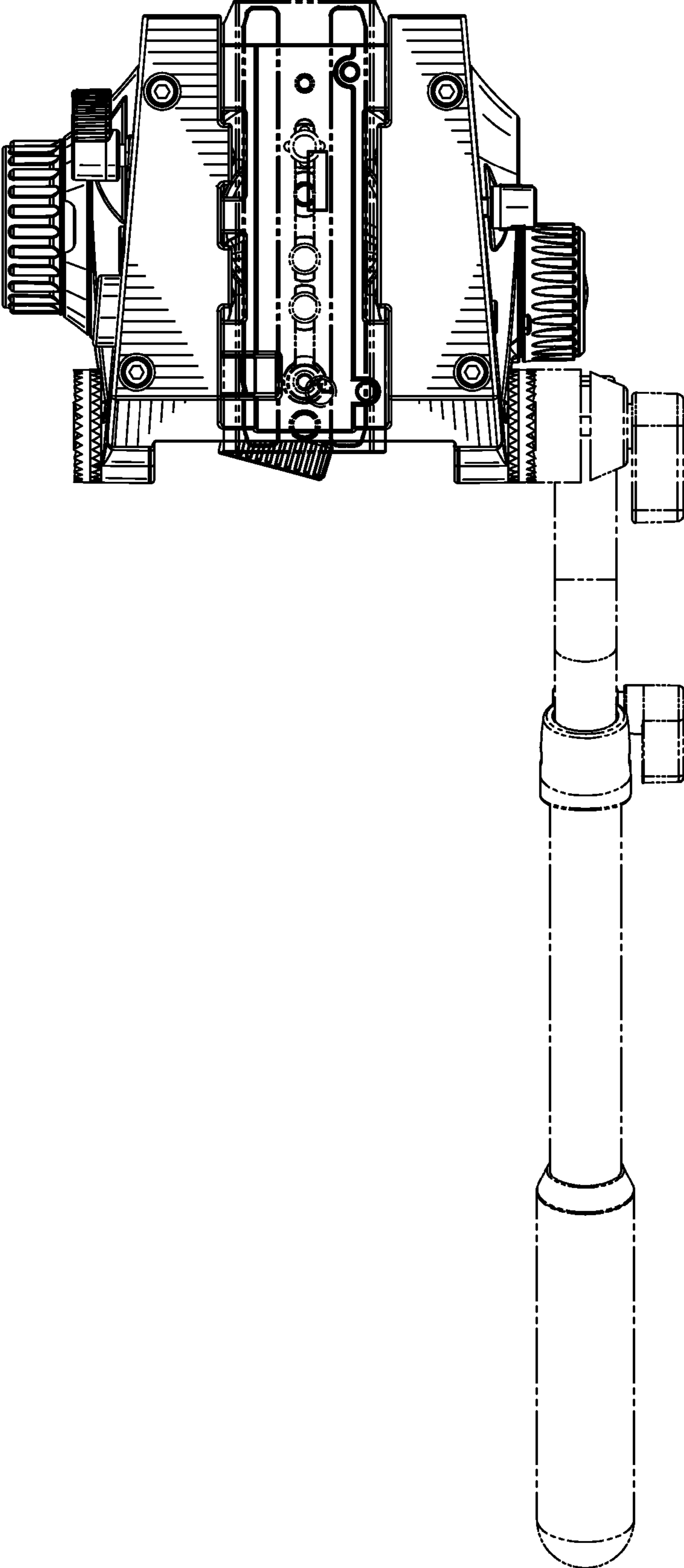


FIG. 6

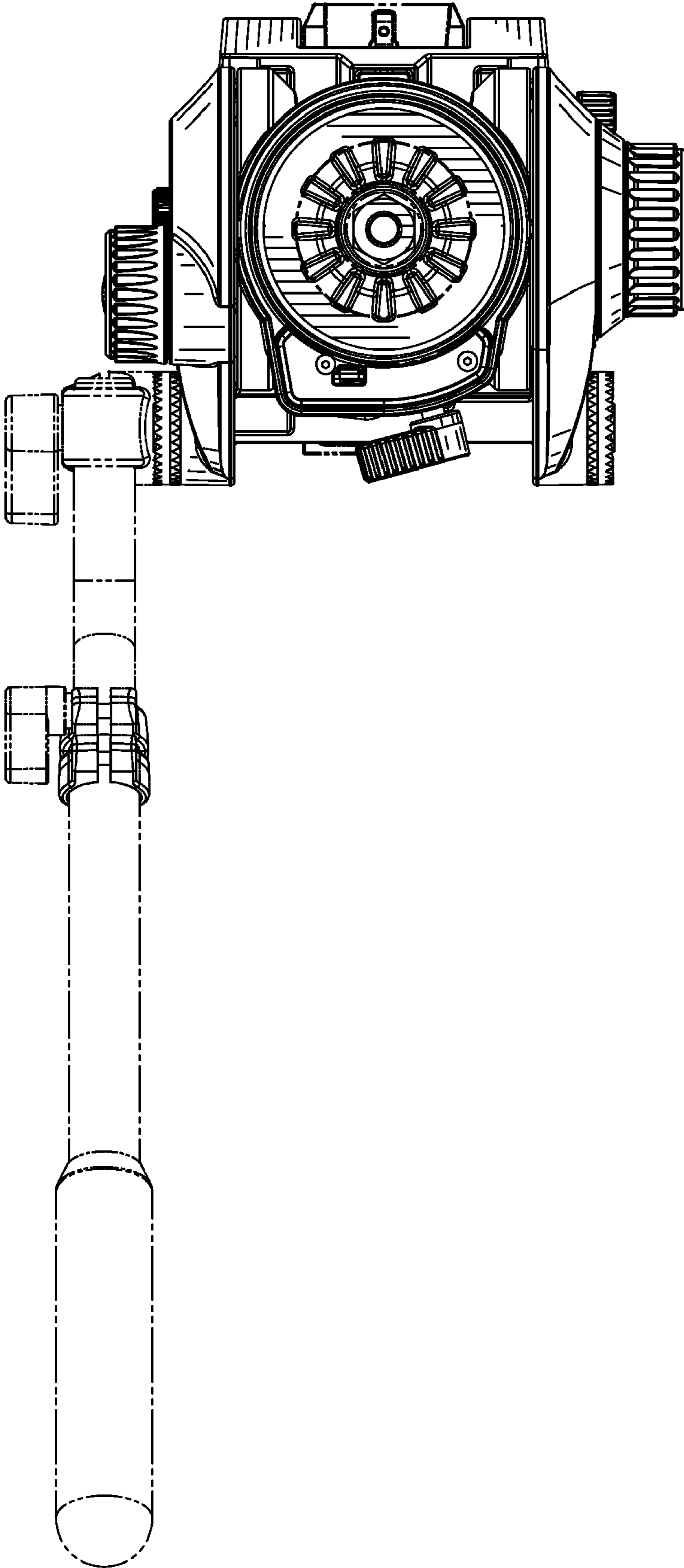


FIG. 7

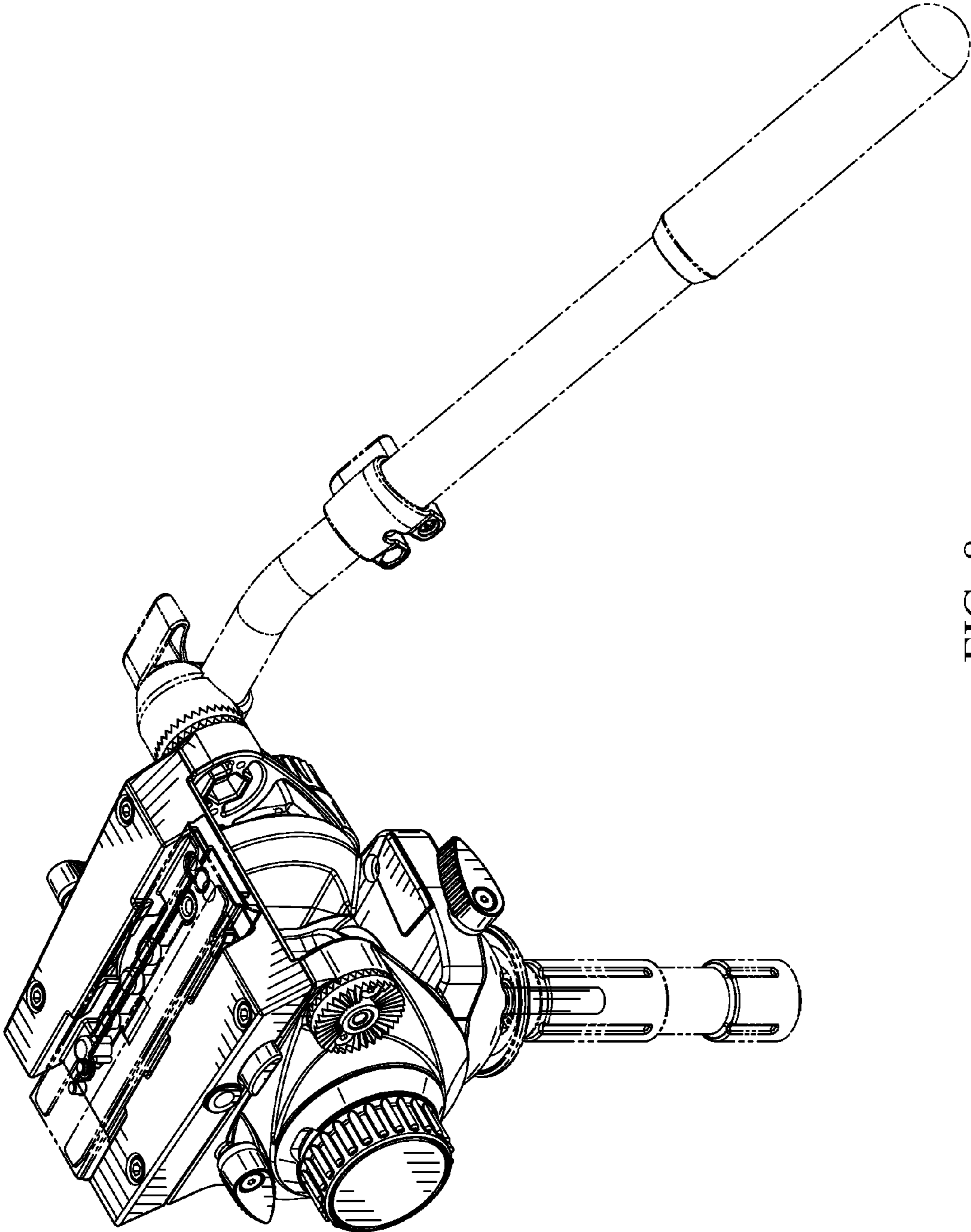


FIG. 8