



US00D629824S

(12) **United States Design Patent**
Takahashi

(10) **Patent No.:** **US D629,824 S**
(45) **Date of Patent:** **** Dec. 28, 2010**

(54) **DIGITAL CAMERA**

(75) Inventor: **Noriaki Takahashi**, Hino (JP)

(73) Assignee: **Olympus Imaging Corp.**, Tokyo (JP)

(**) Term: **14 Years**

(21) Appl. No.: **29/355,051**

(22) Filed: **Feb. 2, 2010**

(30) **Foreign Application Priority Data**

Dec. 25, 2009 (JP) 2009-030346

(51) **LOC (9) Cl.** **16-01**

(52) **U.S. Cl.** **D16/202**

(58) **Field of Classification Search** D16/200–204,
D16/208, 218; 348/373–376; 358/909.1;
396/535–541

See application file for complete search history.

(56) **References Cited**

U.S. PATENT DOCUMENTS

D568,357 S * 5/2008 Shimobayashi D16/202
D585,084 S * 1/2009 Yamamoto et al. D16/202
D591,781 S * 5/2009 Matsuda D16/202
D593,143 S * 5/2009 Kuroda D16/202

D597,116 S * 7/2009 Watanabe D16/202
D604,348 S * 11/2009 Inaba D16/202
7,646,426 B2 * 1/2010 Saiki et al. 348/373

* cited by examiner

Primary Examiner—Adir Aronovich

(74) *Attorney, Agent, or Firm*—Holtz, Holtz, Goodman & Chick, PC

(57) **CLAIM**

The ornamental design for a digital camera, as shown and described.

DESCRIPTION

FIG. 1 is a front, top and right side perspective view of a digital camera, showing my new design;

FIG. 2 is a front elevational view thereof;

FIG. 3 is a rear elevational view thereof;

FIG. 4 is a top plan view thereof;

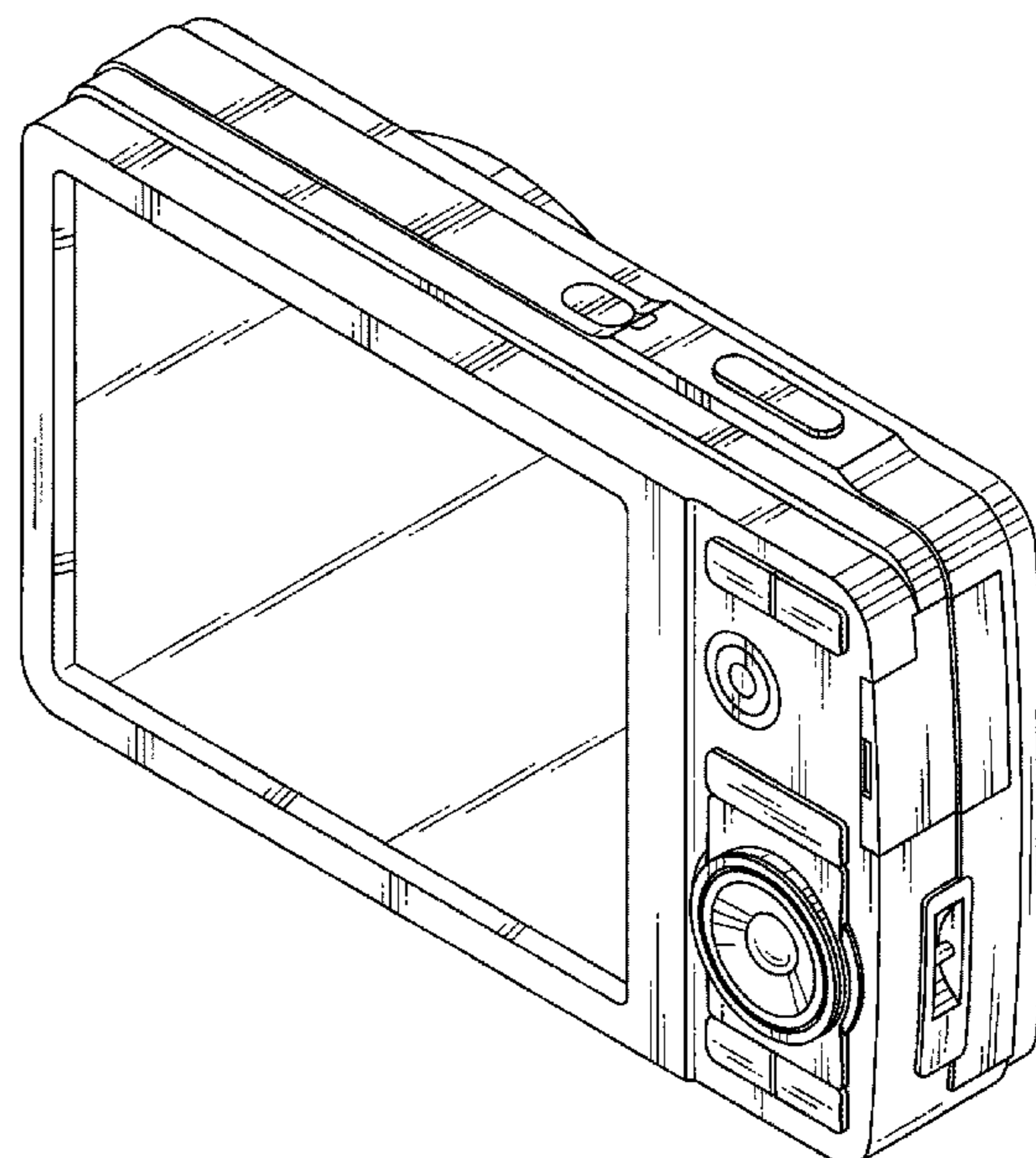
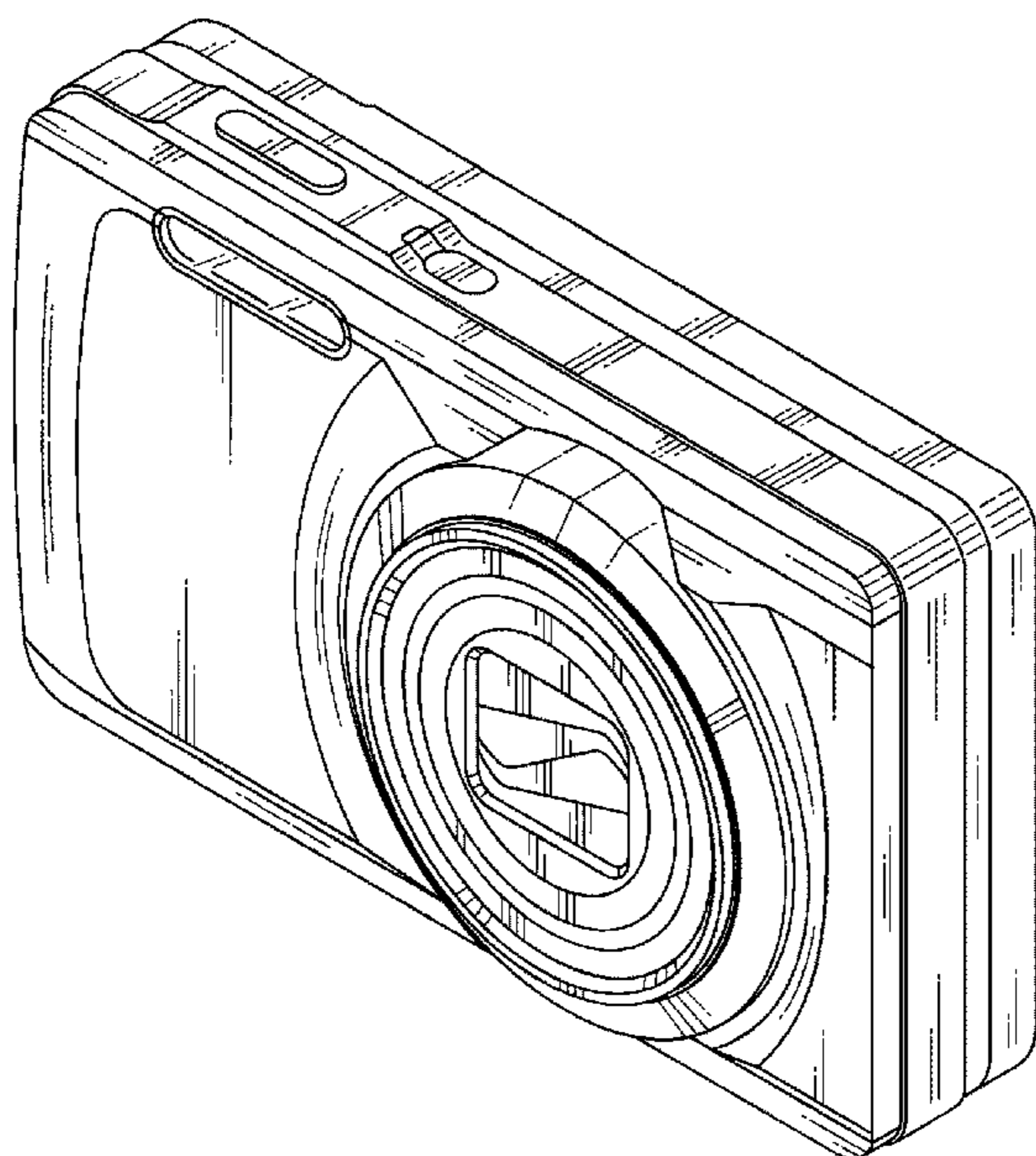
FIG. 5 is a bottom plan view thereof;

FIG. 6 is a right side elevational view thereof;

FIG. 7 is a left side elevational view thereof; and,

FIG. 8 is a rear, top and left side perspective view thereof.

1 Claim, 4 Drawing Sheets



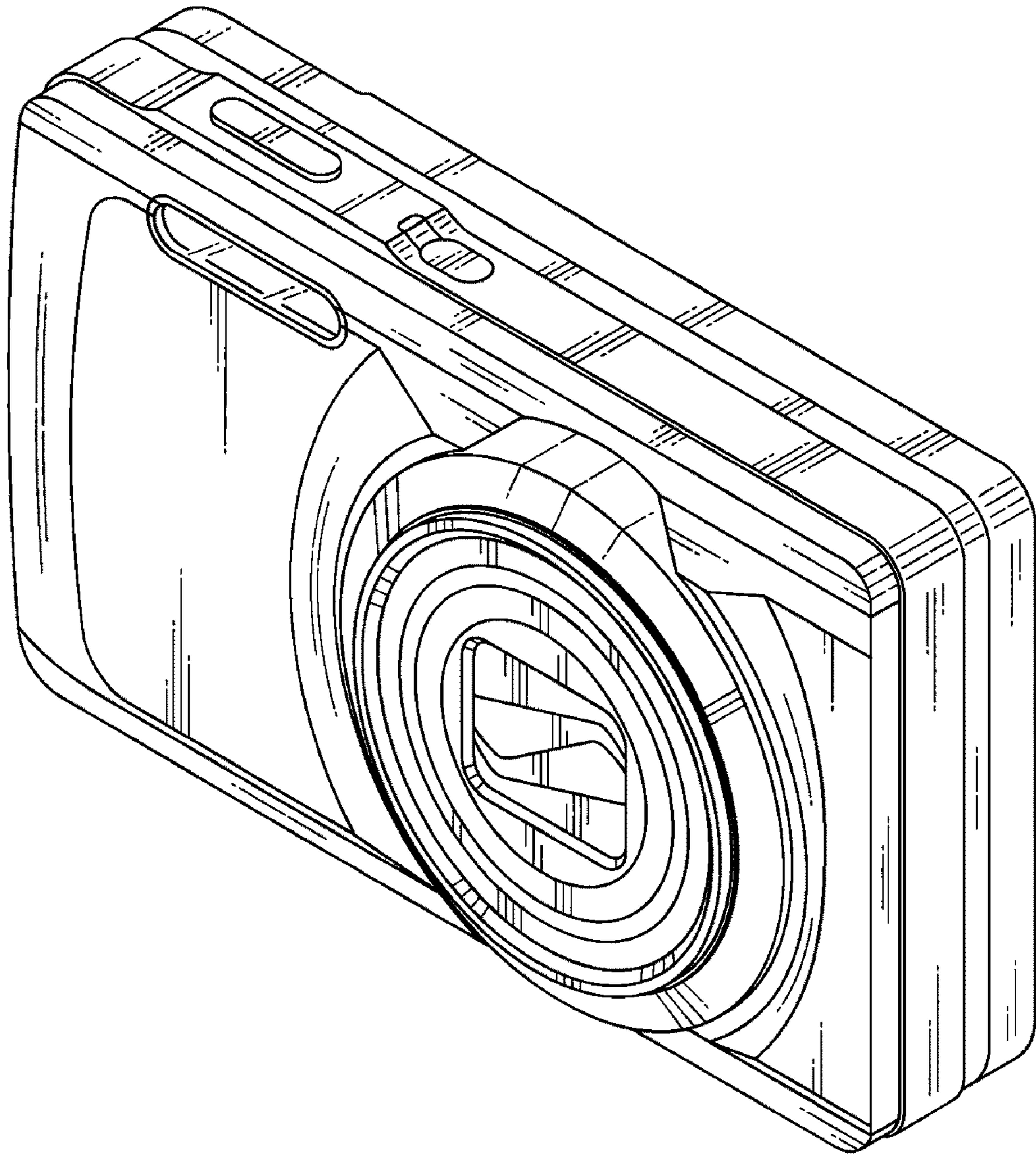


FIG.1

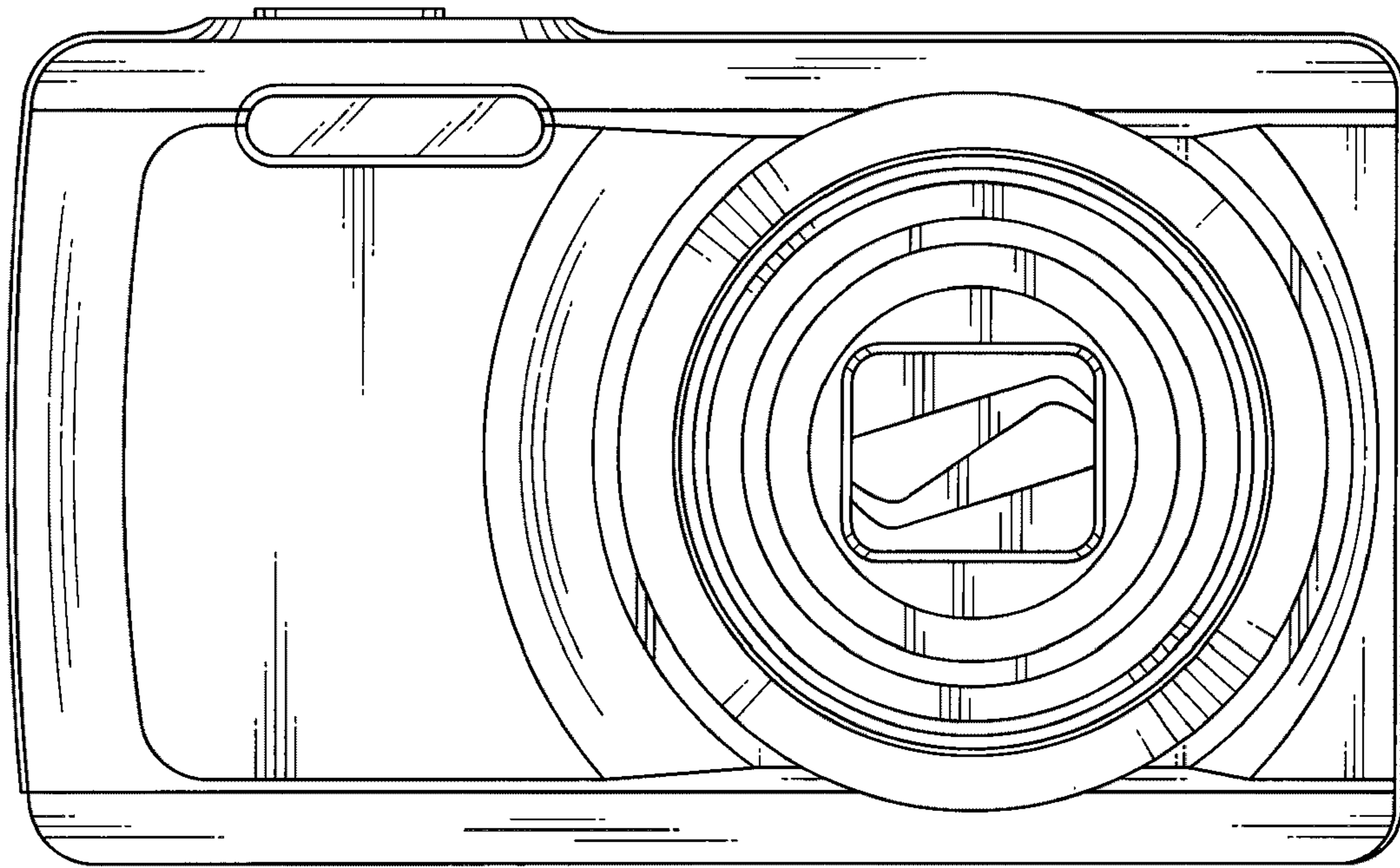


FIG. 2

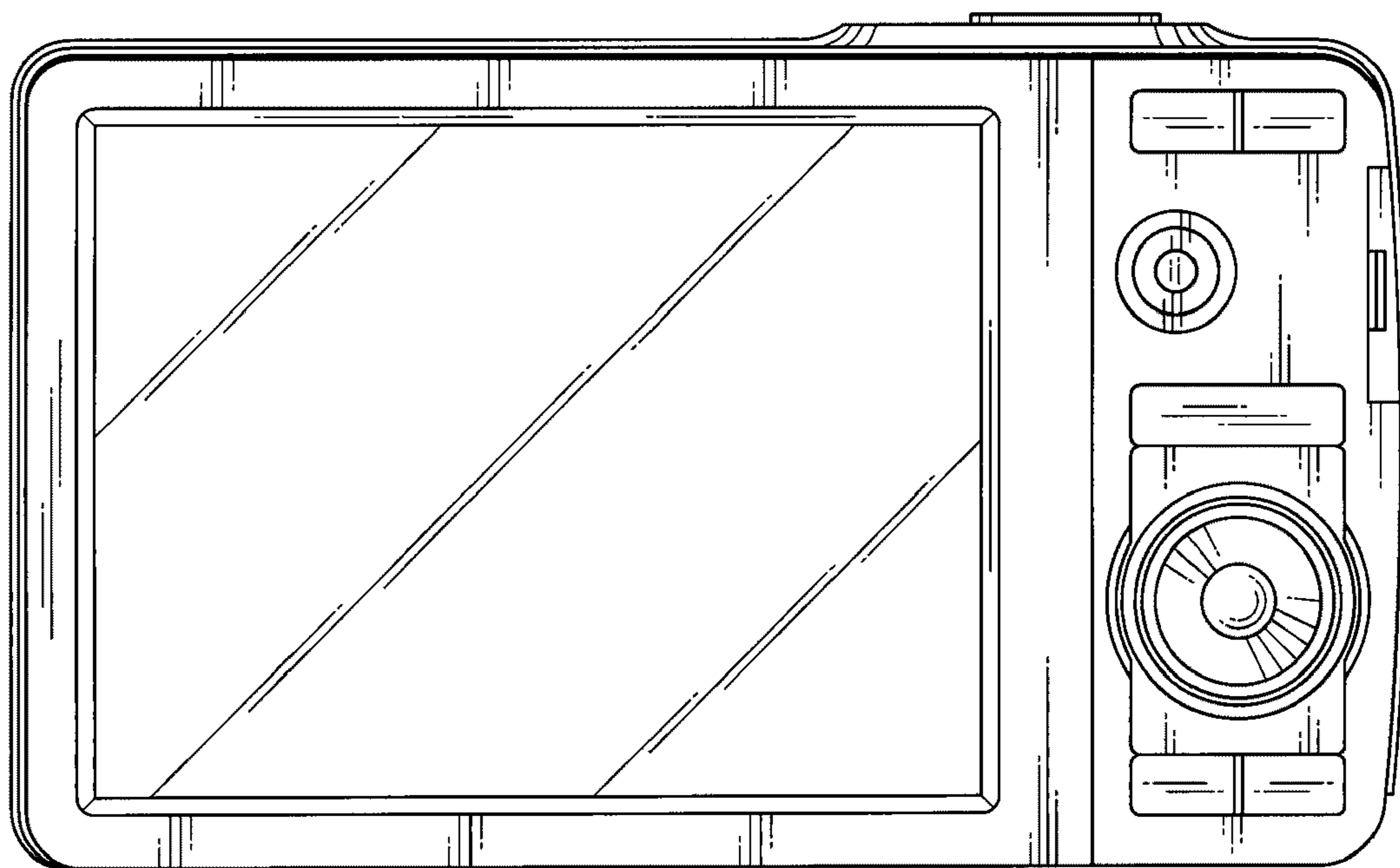


FIG. 3

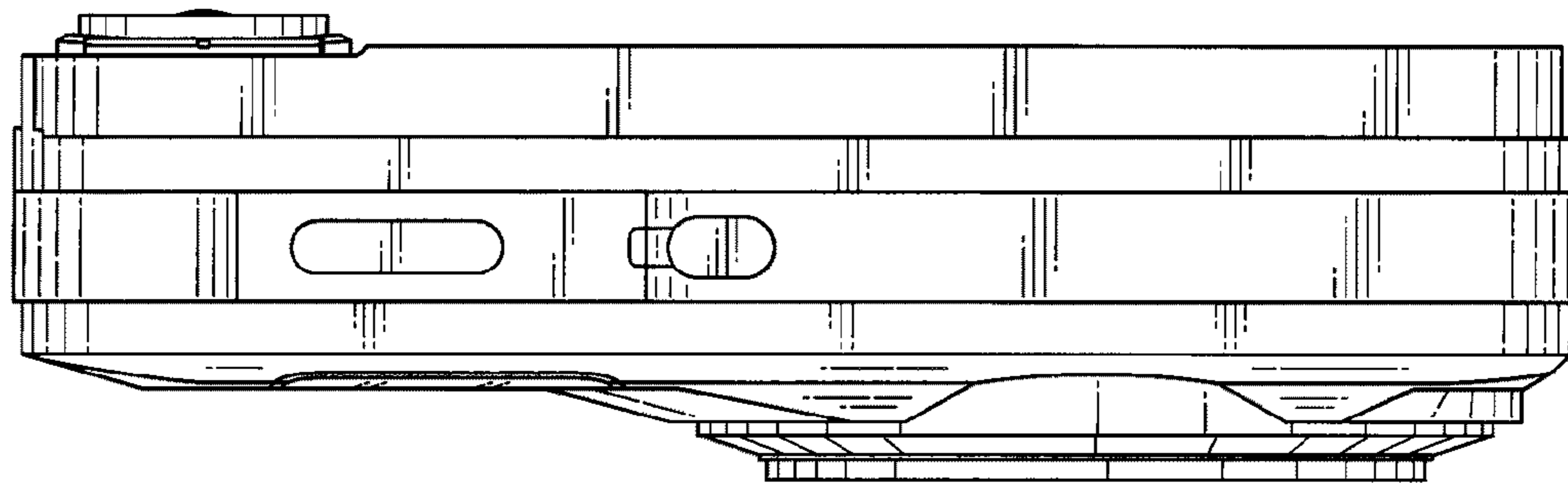


FIG. 4

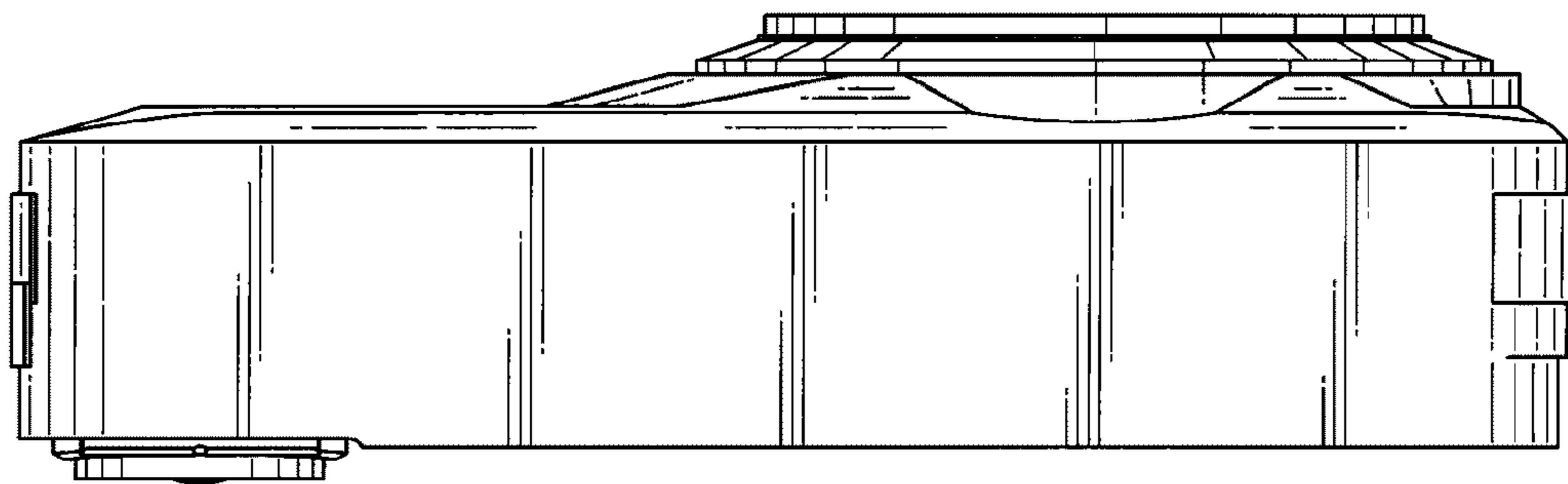


FIG. 5

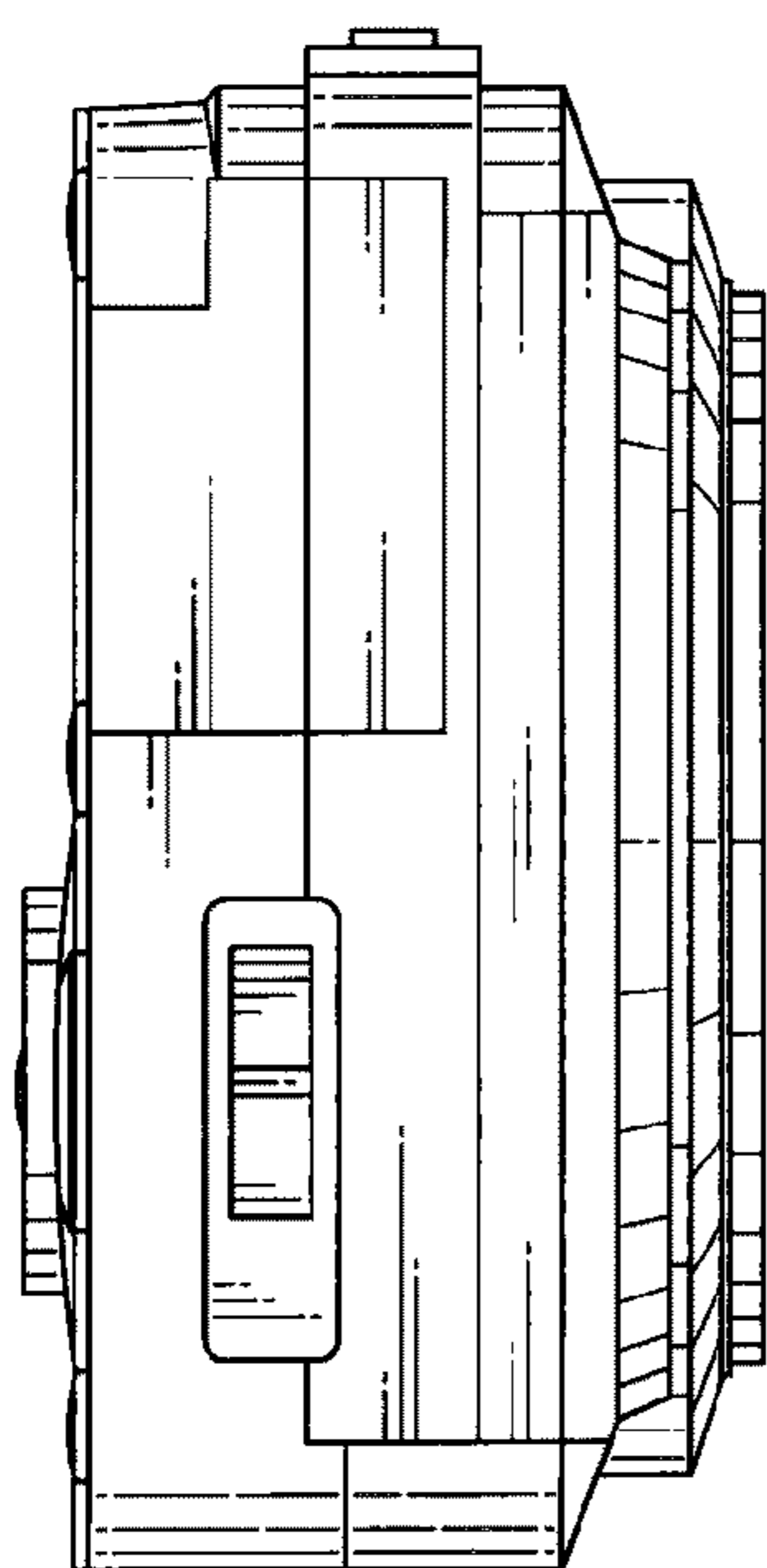


FIG. 7

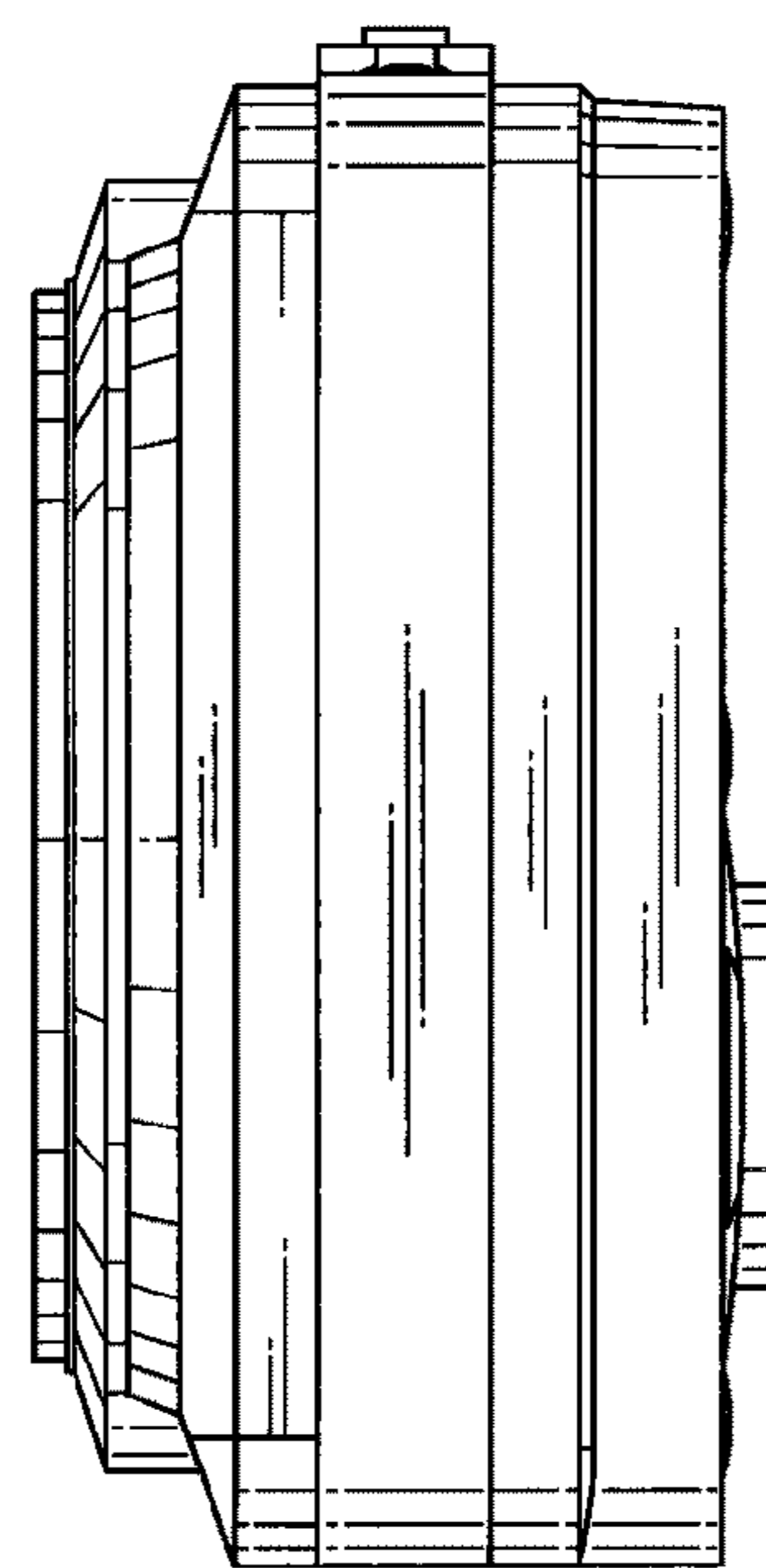


FIG. 6

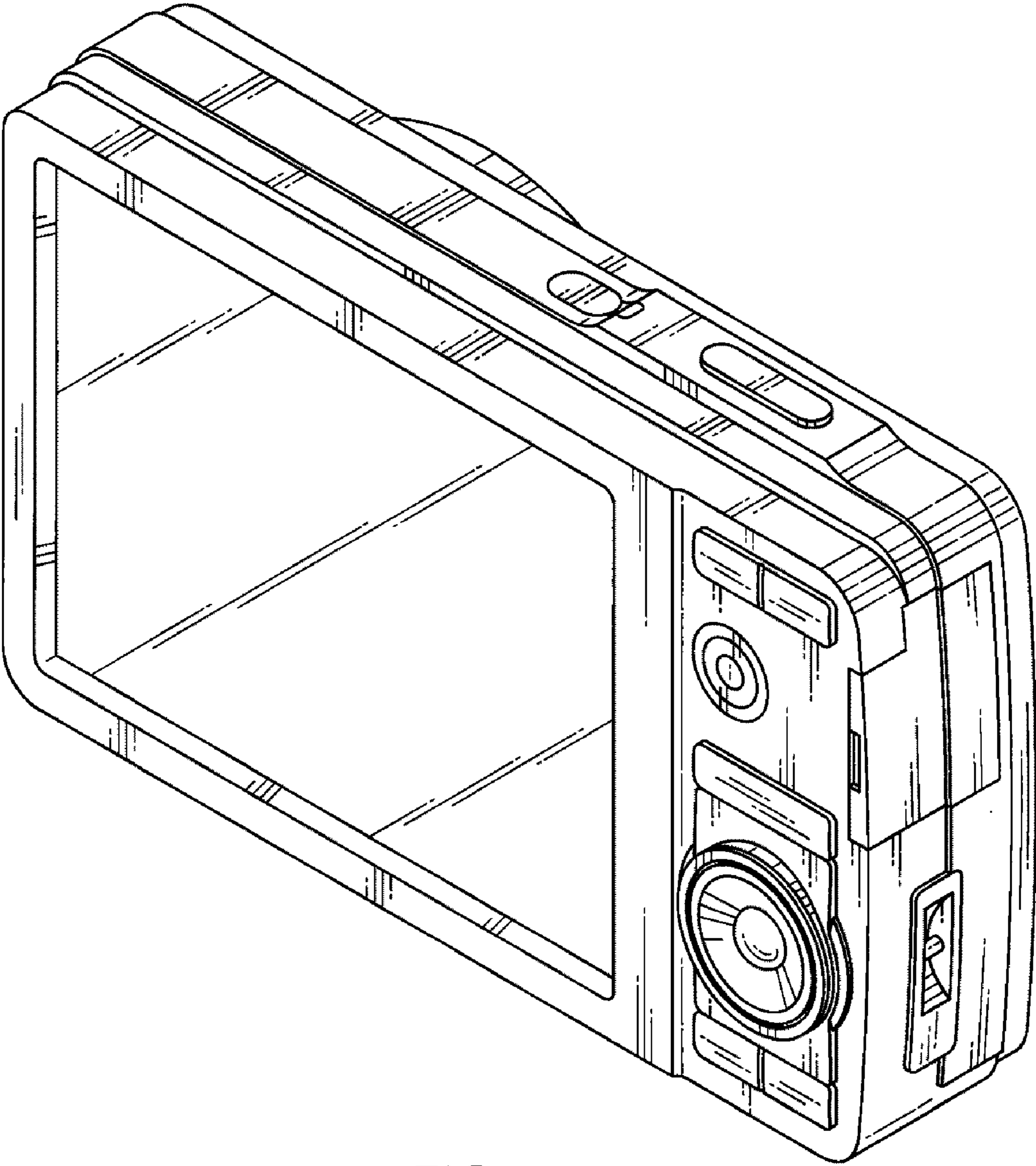


FIG.8