



US00D629822S

(12) **United States Design Patent**
Torre

(10) **Patent No.:** **US D629,822 S**
(45) **Date of Patent:** **** Dec. 28, 2010**

(54) **PACKAGING MACHINE**

(75) Inventor: **Fabio Torre**, Dalmine (IT)

(73) Assignee: **Minipack-Torre S.p.A.**, Dalmine (BG)
(IT)

(**) Term: **14 Years**

(21) Appl. No.: **29/369,141**

(22) Filed: **Sep. 2, 2010**

Related U.S. Application Data

(62) Division of application No. 29/344,242, filed on Sep. 25, 2009, now Pat. No. Des. 626,161.

(51) **LOC (9) Cl.** **15-99**

(52) **U.S. Cl.** **D15/145**

(58) **Field of Classification Search** D15/122,
D15/125; D18/36, 39, 53, 55; 53/167, 202,
53/203, 266.1, 279, 284.5, 285, 370.7, 370.9,
53/381.1, 426, 558, 563, 565; 100/25, 26,
100/29, 32
See application file for complete search history.

(56) **References Cited**

U.S. PATENT DOCUMENTS

- D126,083 S * 3/1941 Rosengren D15/145
- D197,276 S * 1/1964 Brower et al. D15/122
- D201,391 S * 6/1965 Hollerith D15/145
- D380,770 S * 7/1997 Muchenberger et al. D18/51
- D382,893 S * 8/1997 Takenouchi D18/39
- D412,933 S * 8/1999 Laidlaw D18/55
- D413,140 S * 8/1999 Ishida et al. D18/53
- D447,768 S * 9/2001 Shiozaki et al. D18/53
- D478,117 S * 8/2003 Funato D18/39
- D481,049 S * 10/2003 Limousin D15/145
- D494,988 S * 8/2004 Tanaka et al. D15/199

- D497,943 S * 11/2004 LaBarbera D18/53
- D543,222 S * 5/2007 Pester et al. D15/145
- D567,271 S * 4/2008 Vine D15/145
- D607,049 S * 12/2009 Sasaki et al. D18/55
- D607,507 S * 1/2010 Kimura et al. D18/55
- 2006/0021299 A1 * 2/2006 Jones 53/461

* cited by examiner

Primary Examiner—Patricia Palasik

(74) *Attorney, Agent, or Firm*—David A. Farah; Sheldon Mak & Anderson PC

(57) **CLAIM**

The ornamental design of a packaging machine, as shown and described.

DESCRIPTION

FIG. 1 is a front-top-right side perspective view of a packaging machine according to my new design;

FIG. 2 is a front perspective view of the packaging machine shown in FIG. 1;

FIG. 3 is a top perspective view of the packaging machine shown in FIG. 1;

FIG. 4 is a back perspective view of the packaging machine shown in FIG. 1;

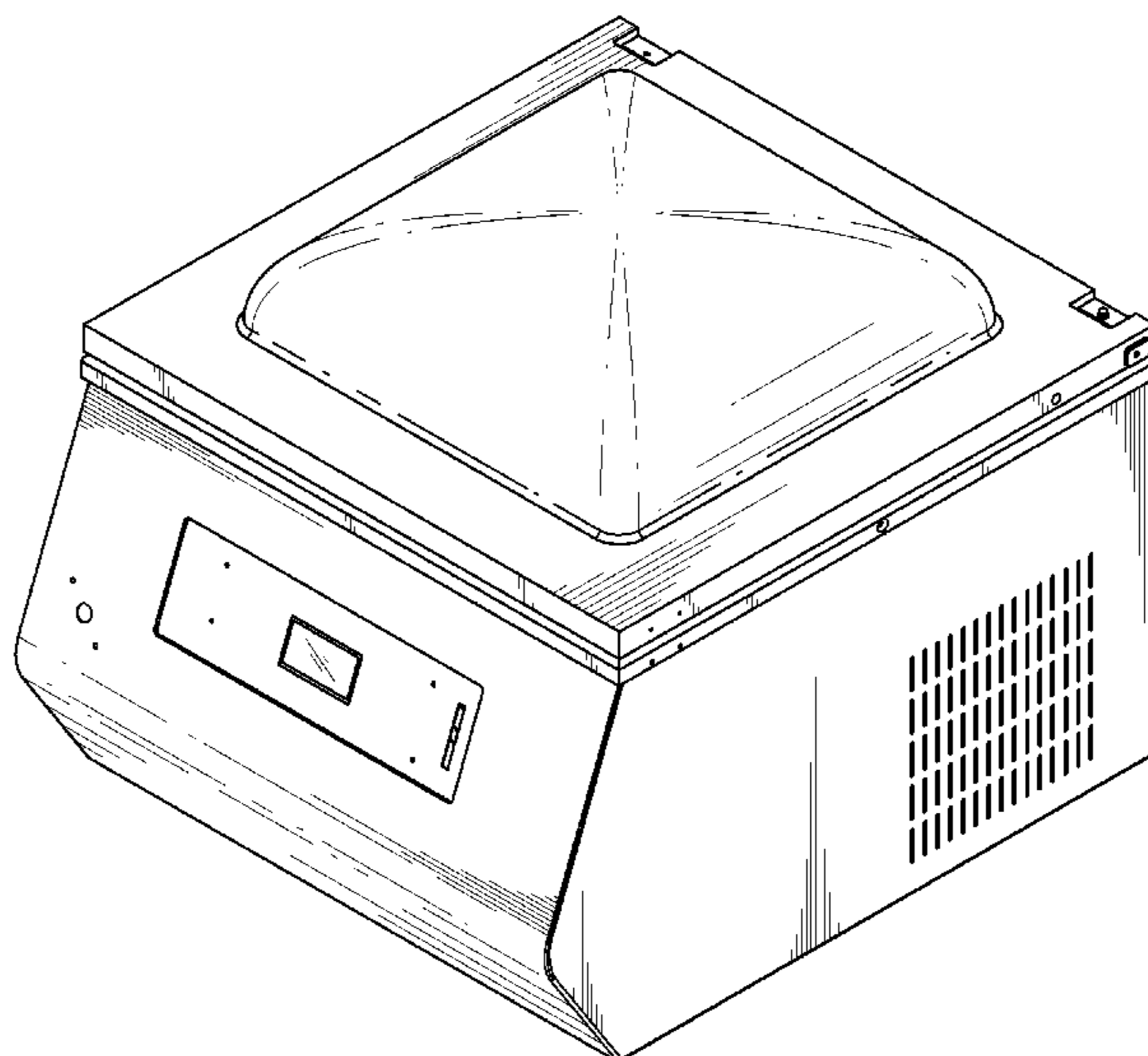
FIG. 5 is a bottom perspective view of the packaging machine shown in FIG. 1;

FIG. 6 is a right side perspective view of the packaging machine shown in FIG. 1; and,

FIG. 7 is a left side perspective view of the packaging machine shown in FIG. 1 shown with the top lid raised.

The broken lines in the drawings depict unclaimed environmental subject matter.

1 Claim, 7 Drawing Sheets



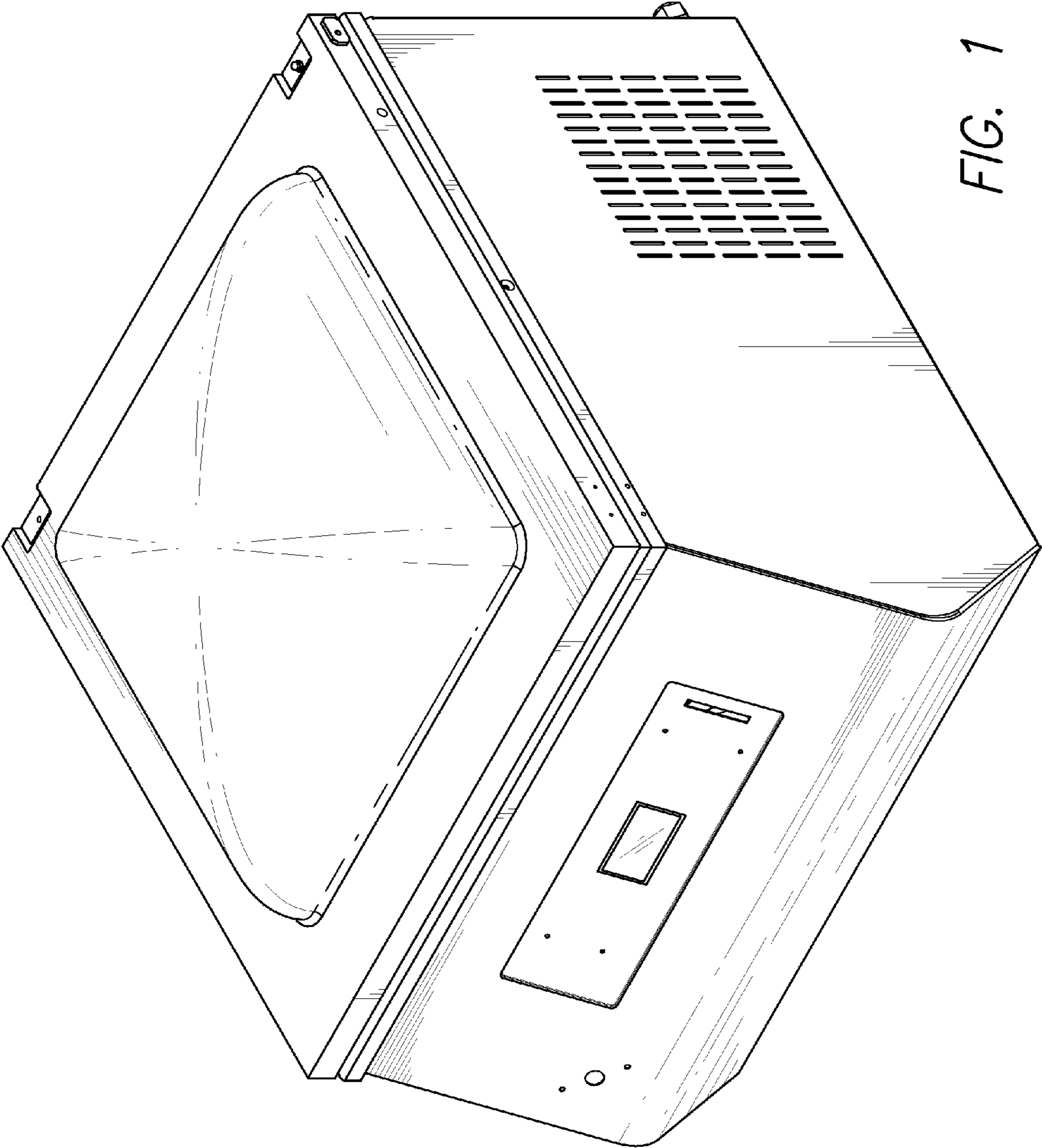


FIG. 1

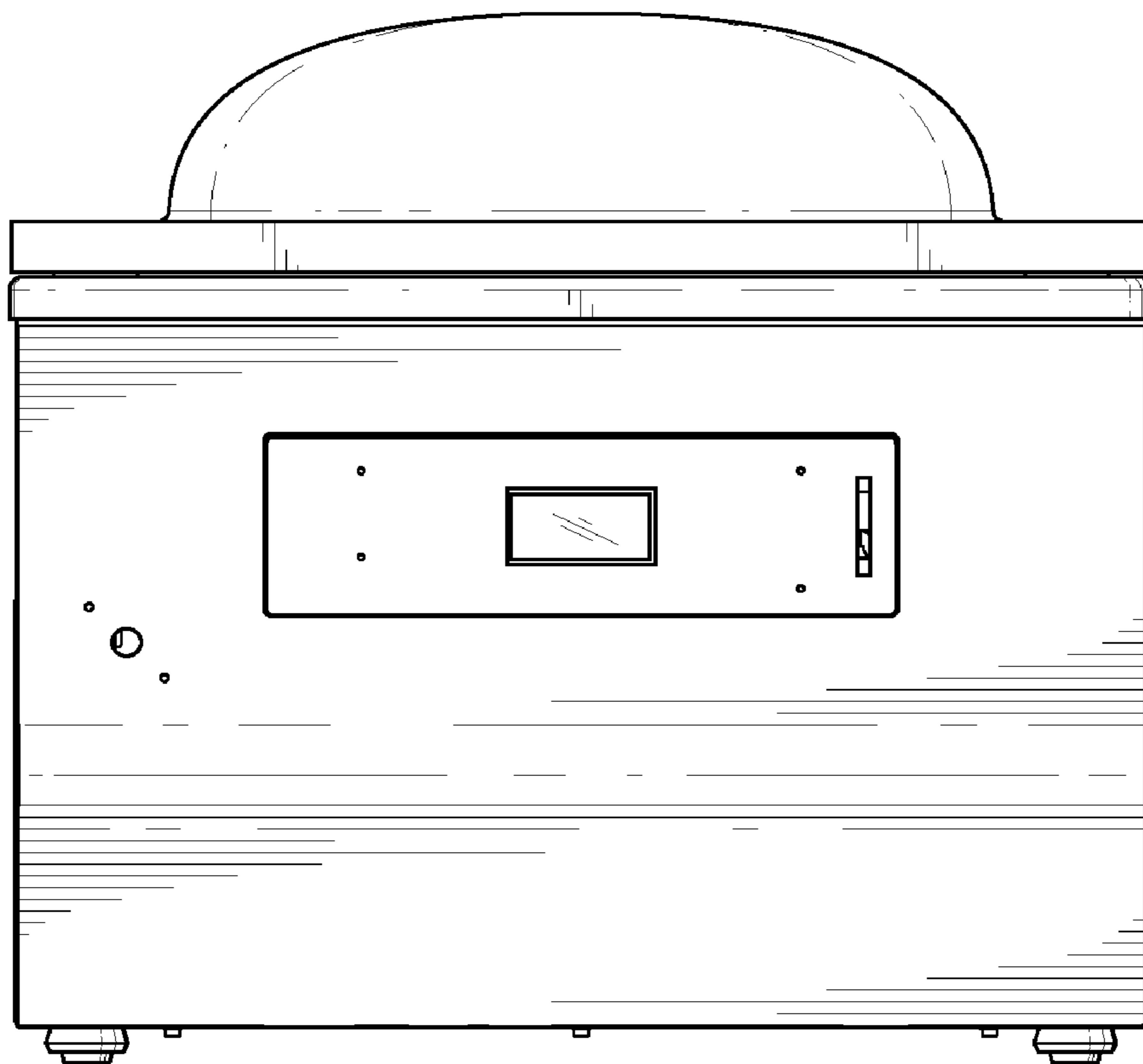


FIG. 2

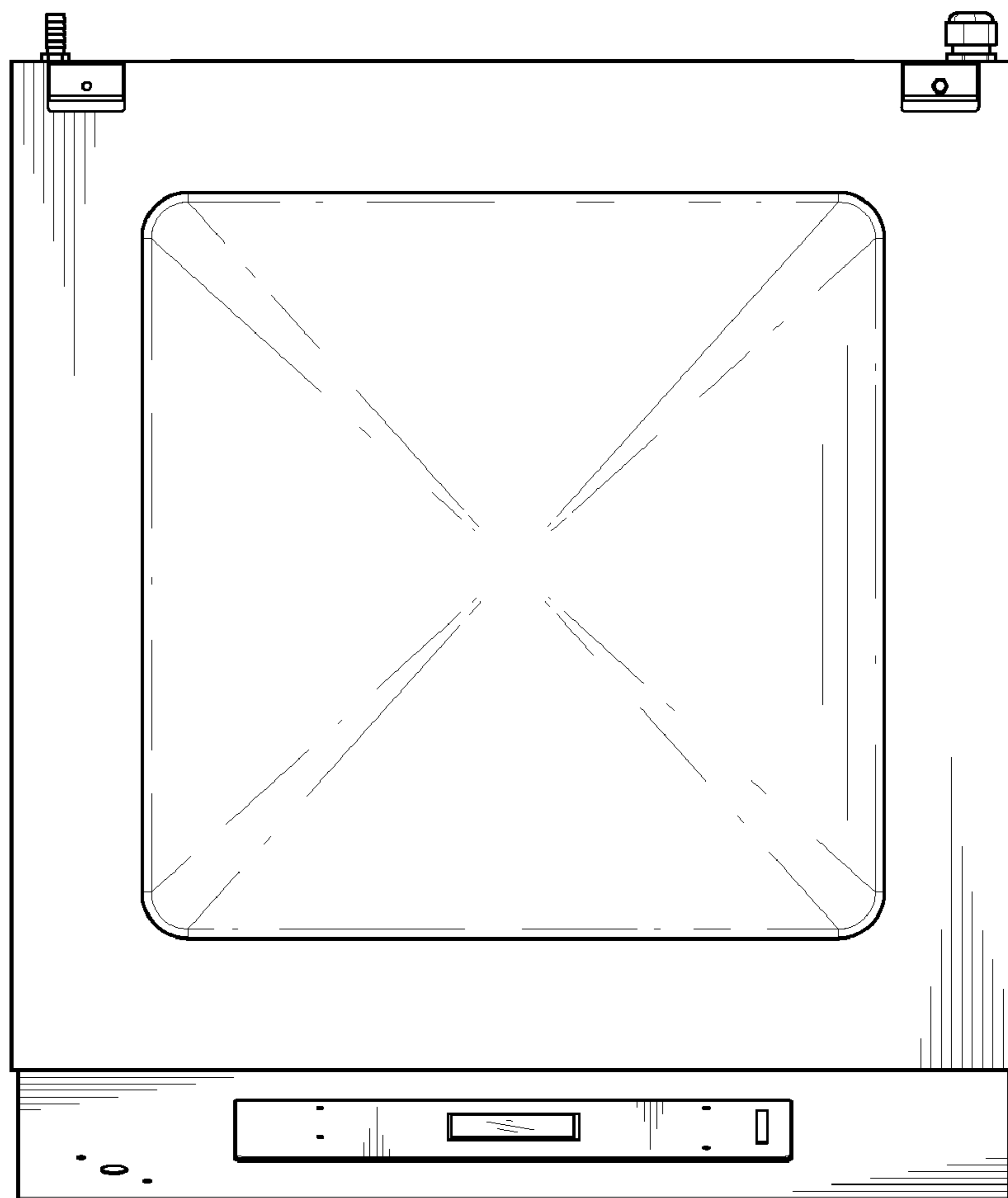


FIG. 3

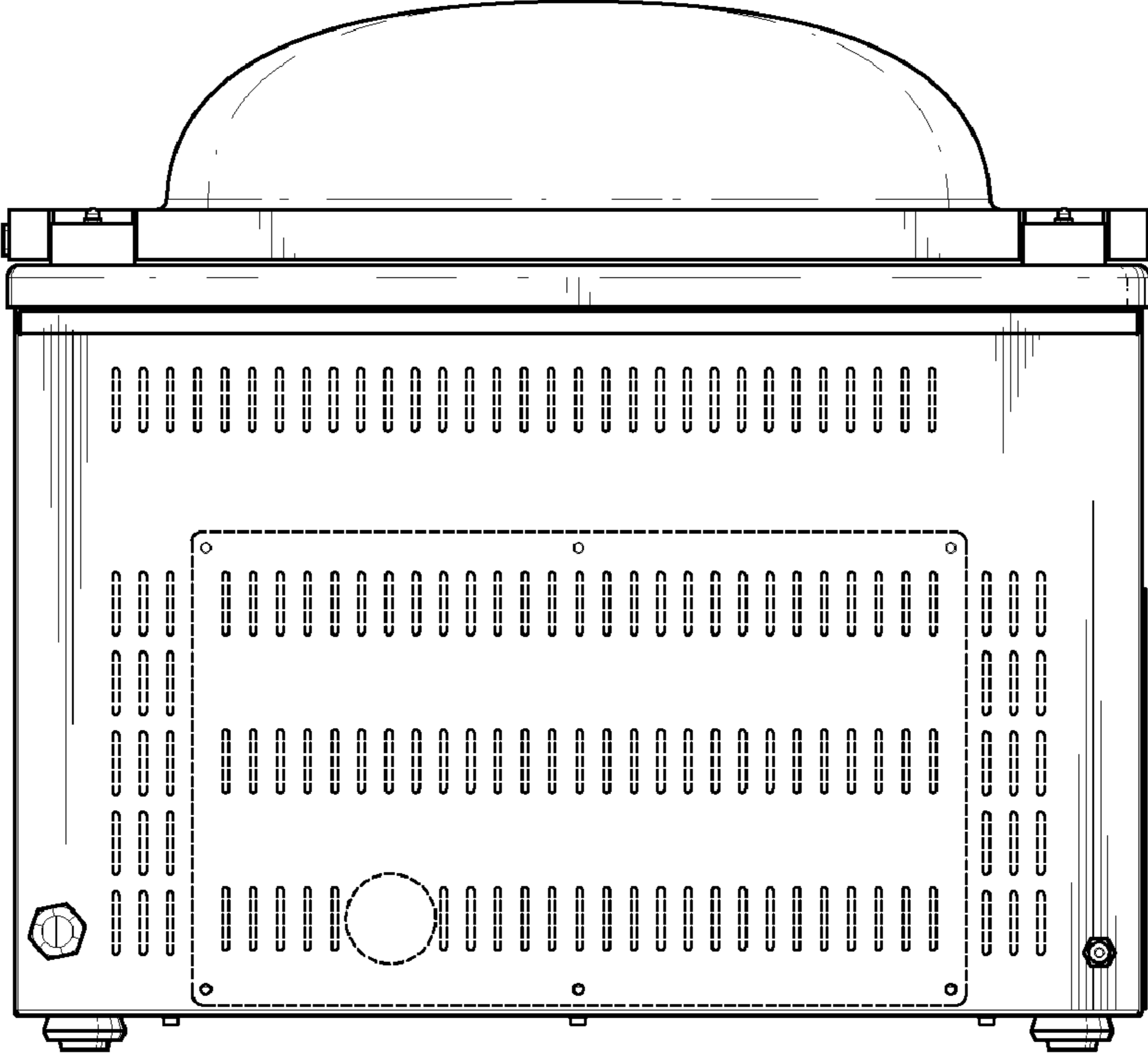


FIG. 4

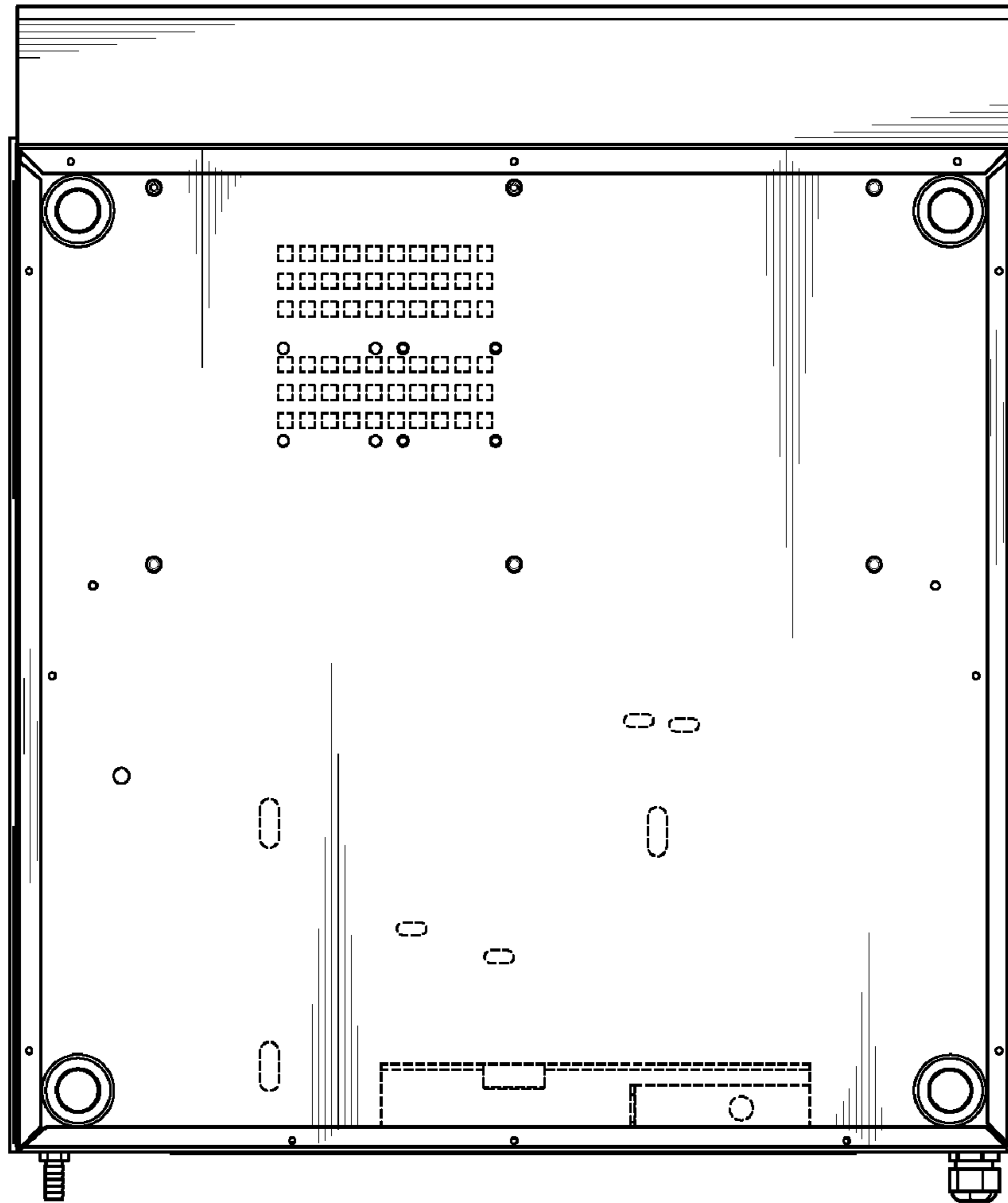


FIG. 5

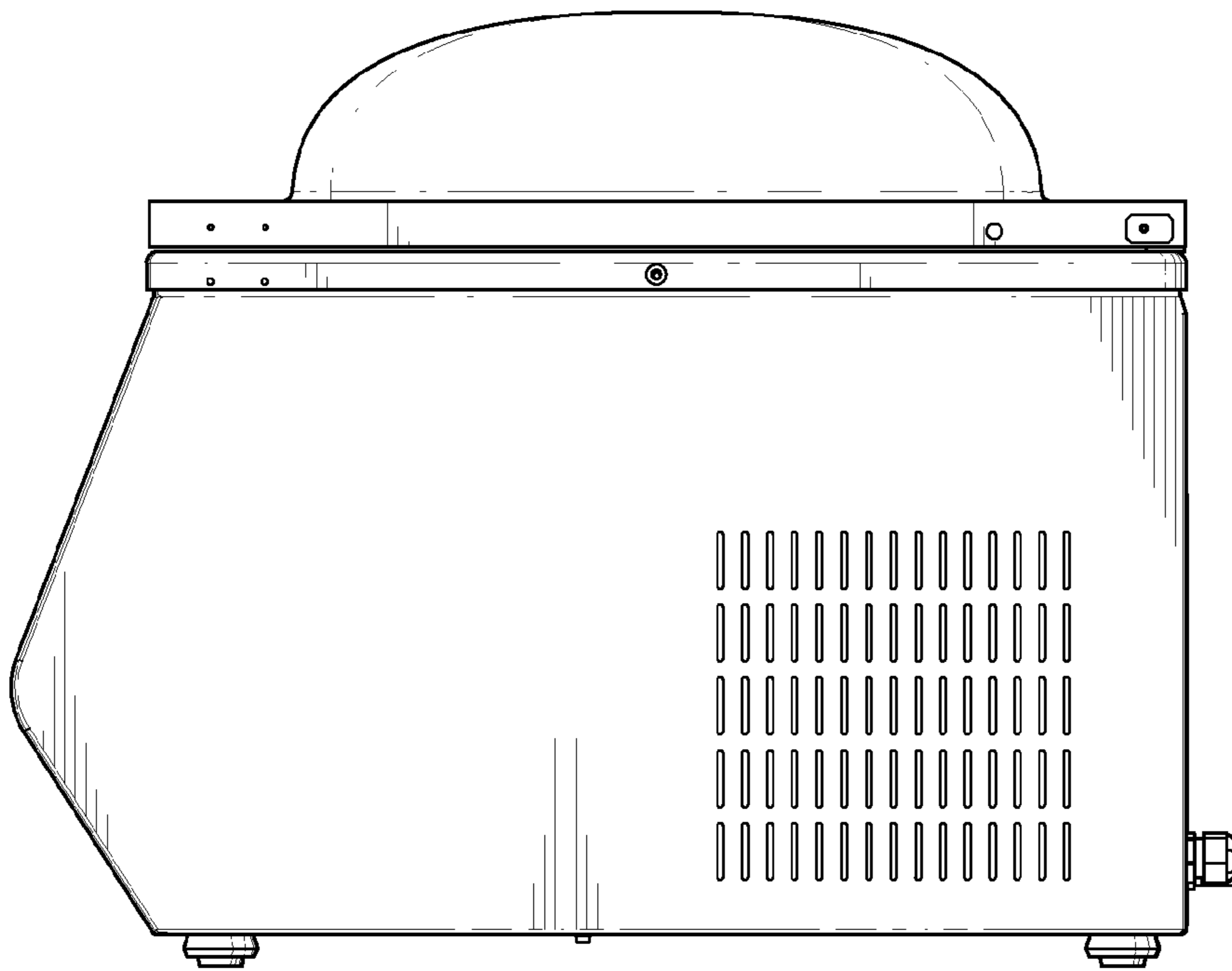


FIG. 6

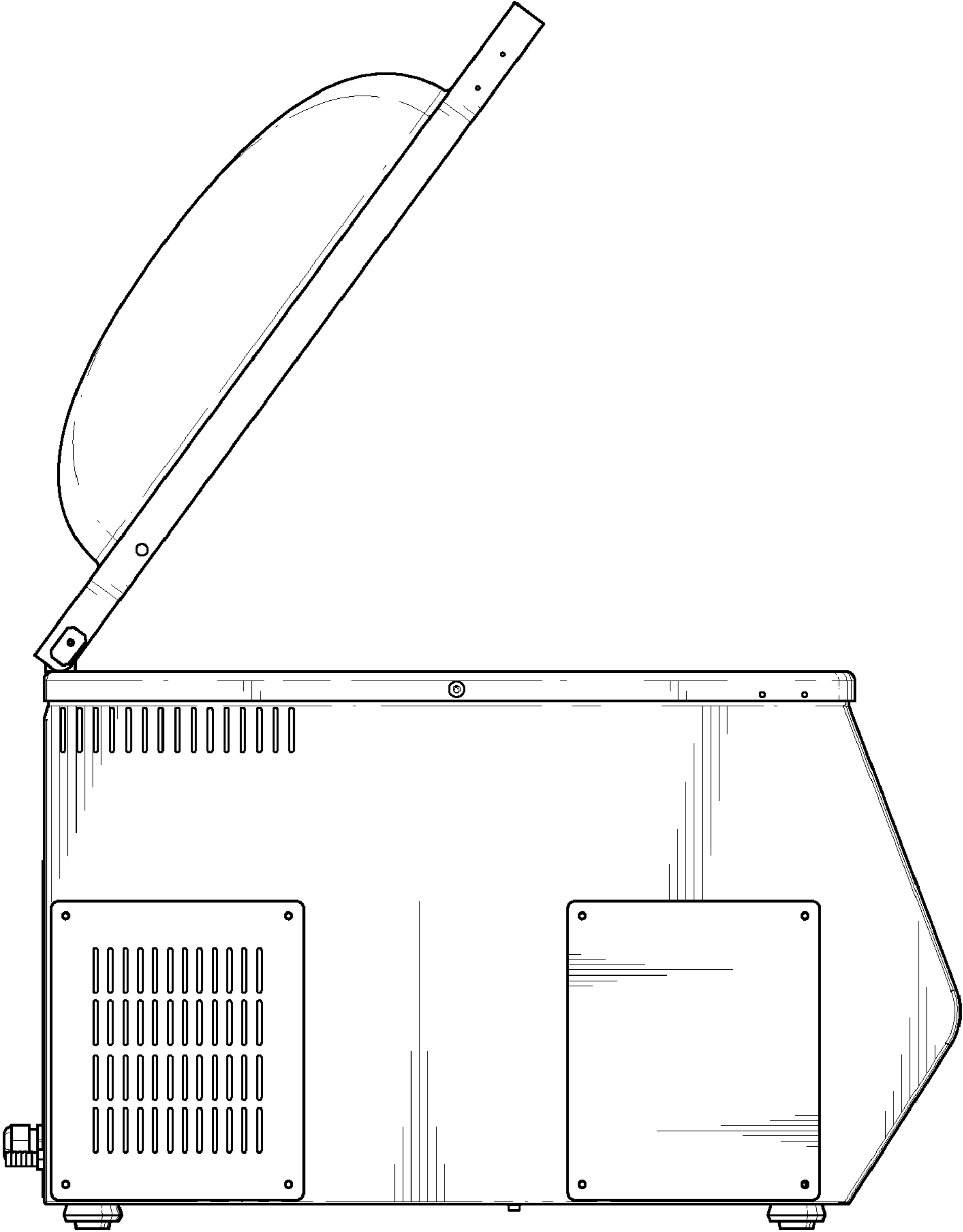


FIG. 7