



US00D629821S

(12) **United States Design Patent**
Jump

(10) **Patent No.:** **US D629,821 S**
(45) **Date of Patent:** **** Dec. 28, 2010**

(54) **CAN STACK LINEAR ACTUATOR**
(75) Inventor: **Ryan Jump**, East Hampton, CT (US)
(73) Assignee: **Tritex Corporation**, Waterbury, CT (US)
(**) Term: **14 Years**
(21) Appl. No.: **29/342,177**
(22) Filed: **Aug. 20, 2009**

(51) **LOC (9) Cl.** **15-09**
(52) **U.S. Cl.** **D15/143**
(58) **Field of Classification Search** D13/158,
D13/162, 184; D15/5, 7, 9, 143, 148, 199;
74/89.15, 411.5, 490.09; 297/14, 325, 327;
310/10, 12, 15, 20, 80, 300
See application file for complete search history.

(56) **References Cited**

U.S. PATENT DOCUMENTS

D239,319 S * 3/1976 Matousek D15/148
4,751,411 A * 6/1988 Fukaya et al. 310/49.18
6,603,229 B1 * 8/2003 Toyne, IV 310/90
D479,541 S * 9/2003 Lannoch D15/148
6,806,597 B2 * 10/2004 Kondo 310/49.01
6,932,319 B2 8/2005 Kowalski

7,682,045 B2 * 3/2010 Pfister 362/273
2004/0201290 A1 * 10/2004 Razzaghi 310/15
2005/0218727 A1 * 10/2005 Gandel et al. 310/12
2010/0060091 A1 * 3/2010 Nordgren 310/80
2010/0148605 A1 * 6/2010 Moore et al. 310/86

* cited by examiner

Primary Examiner—Patricia Palasik

(74) *Attorney, Agent, or Firm*—Carmody & Torrance LLP

(57) **CLAIM**

The ornamental design for a can stack linear actuator, as shown and described.

DESCRIPTION

FIG. 1 is a first perspective view of a can stack linear actuator showing my new design;

FIG. 2 is a right side elevational view thereof;

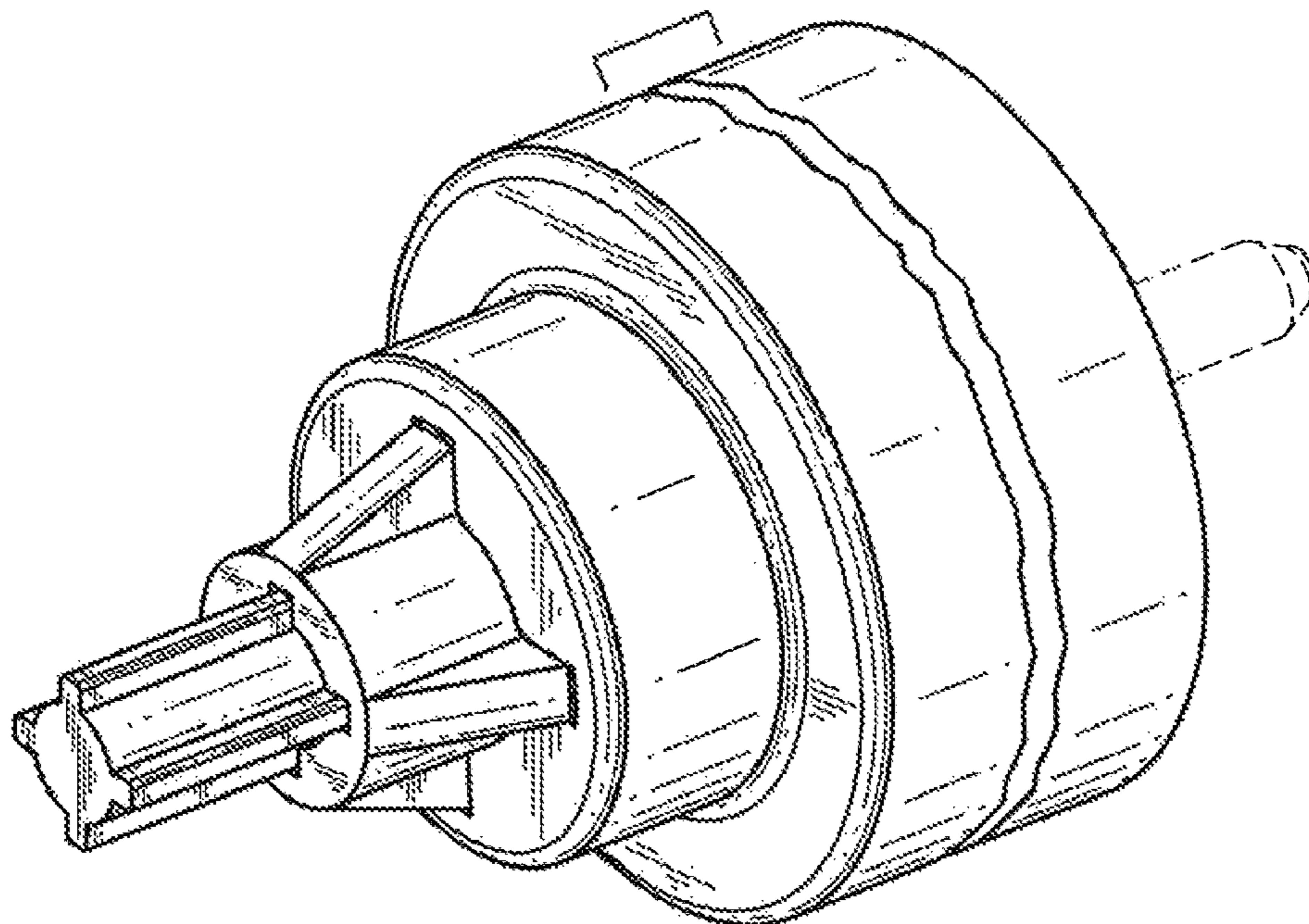
FIG. 3 is a top plan view thereof; and,

FIG. 4 is a bottom plan view thereof.

The can stack linear actuator is shown broken away to indicate that no particular length is claimed.

The dotted lines are intended to show features that are environmental only and form no part of the claimed design.

1 Claim, 2 Drawing Sheets



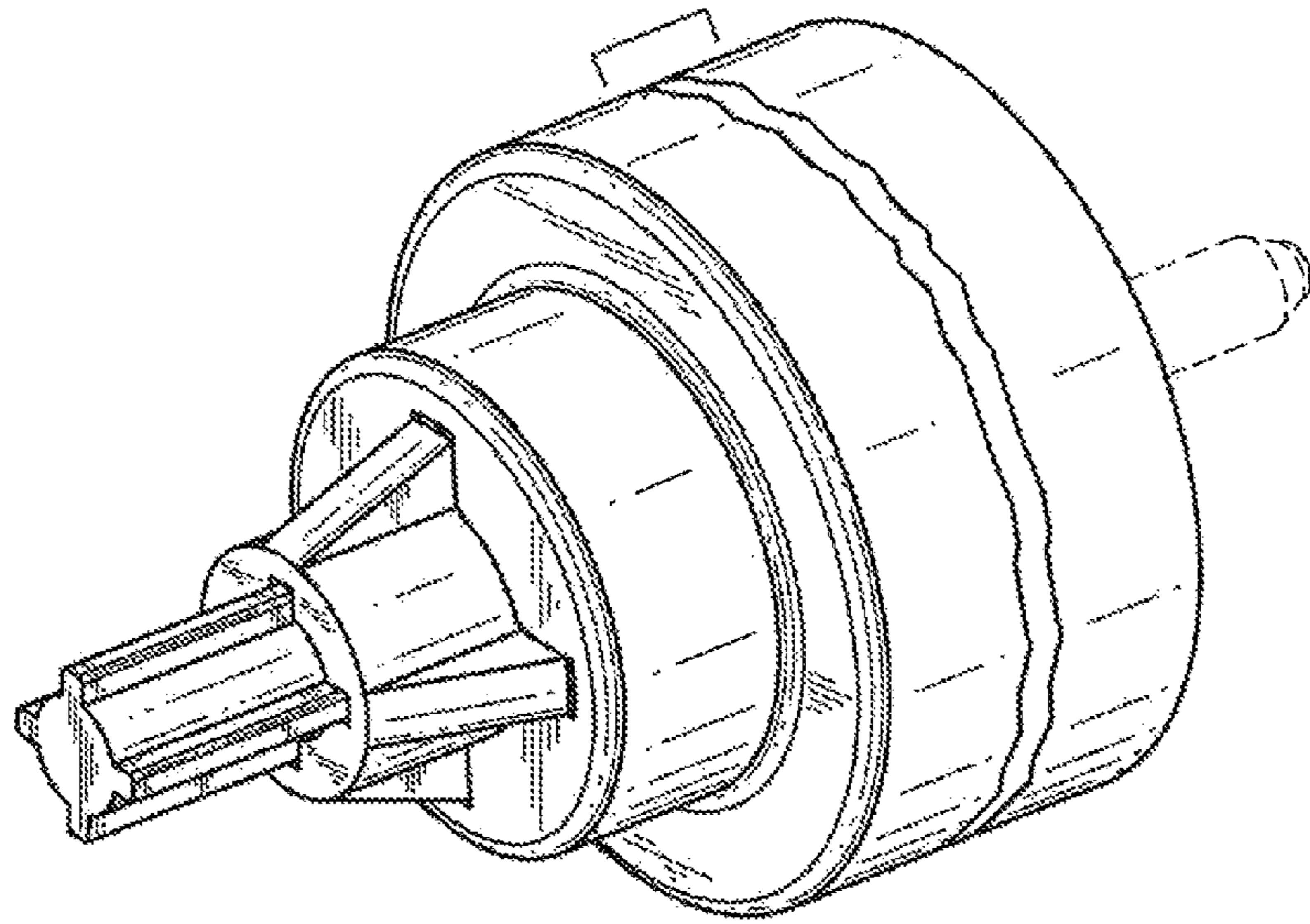


FIG. 1

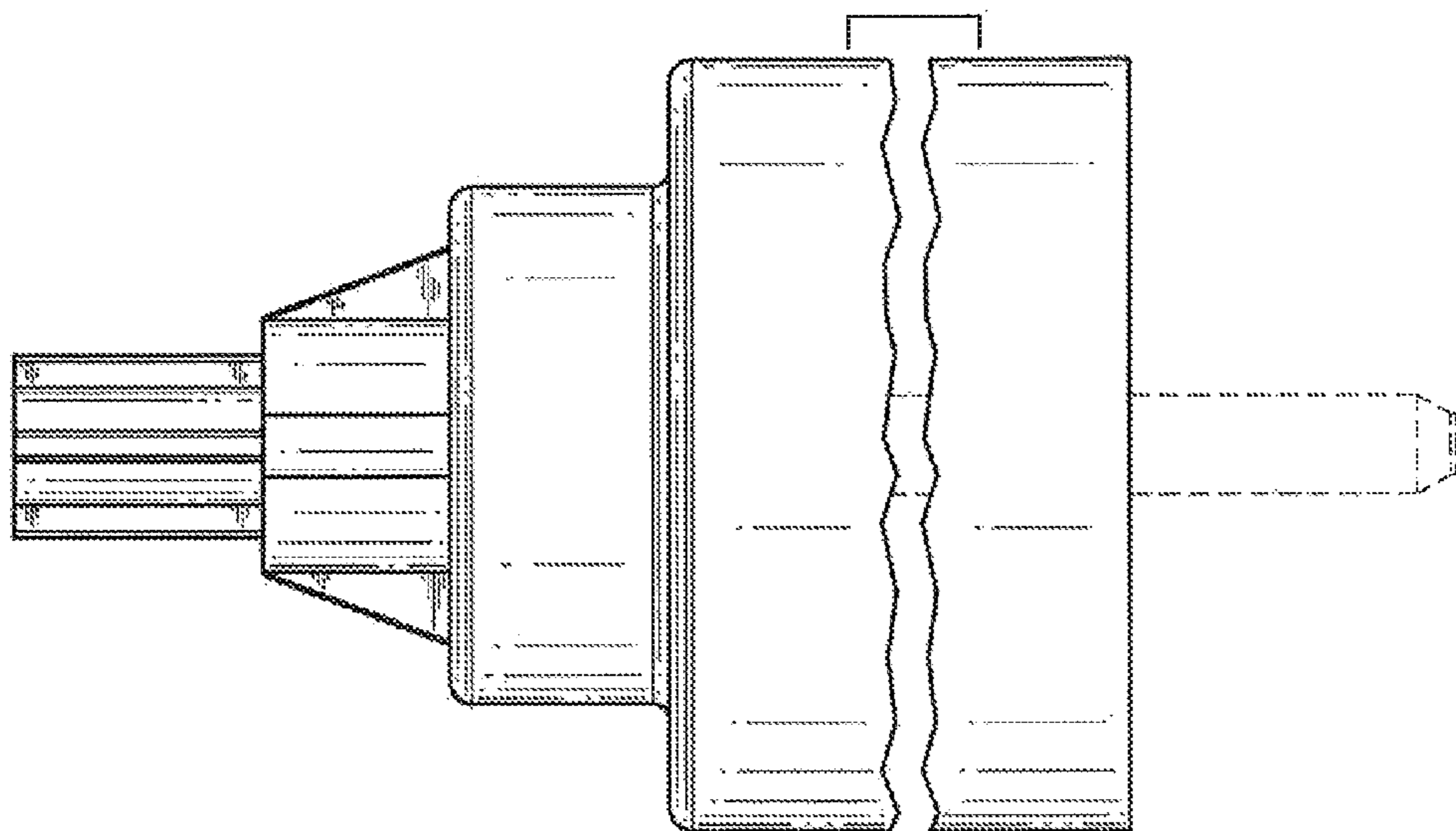


FIG. 2

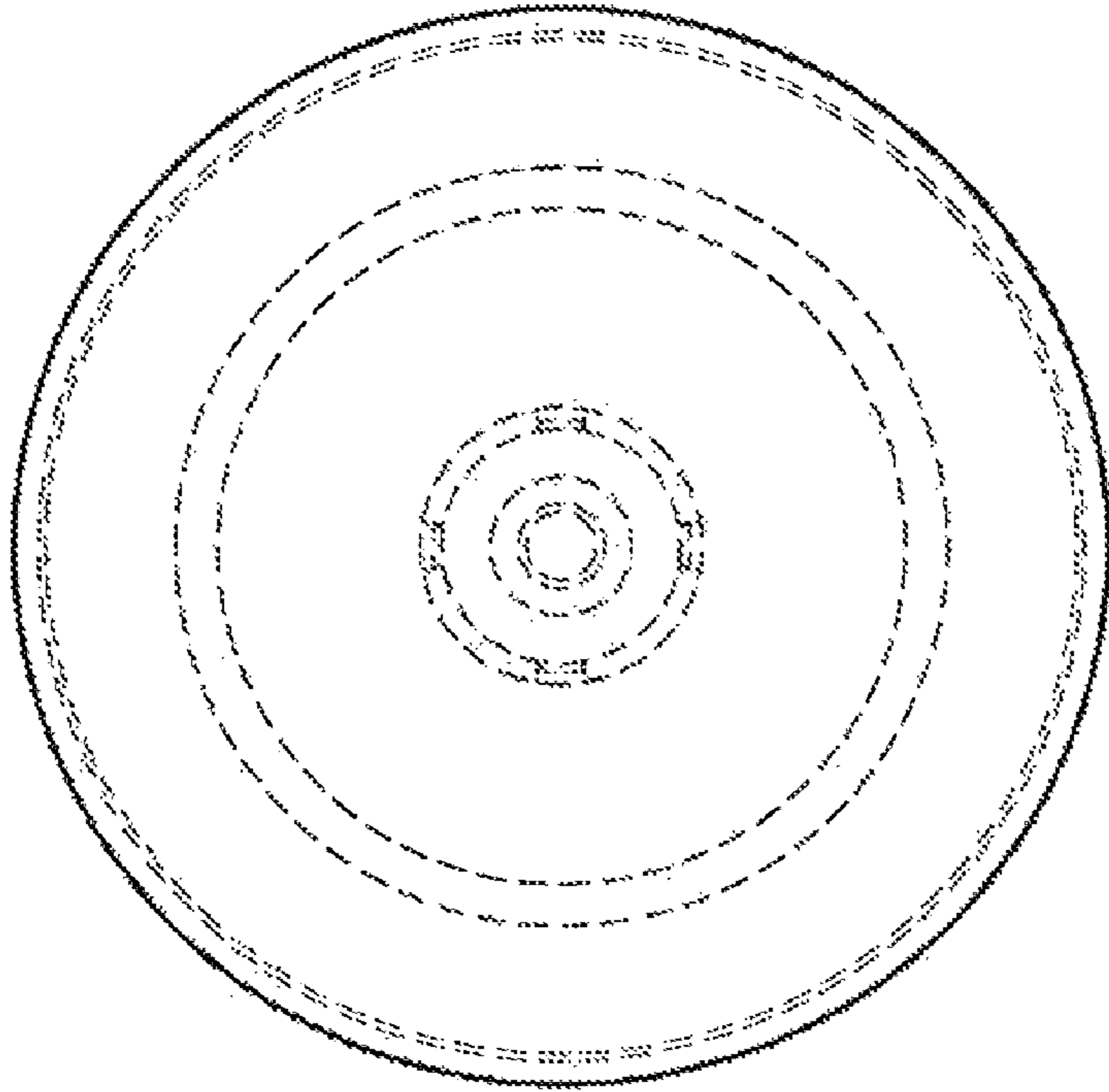


FIG. 4

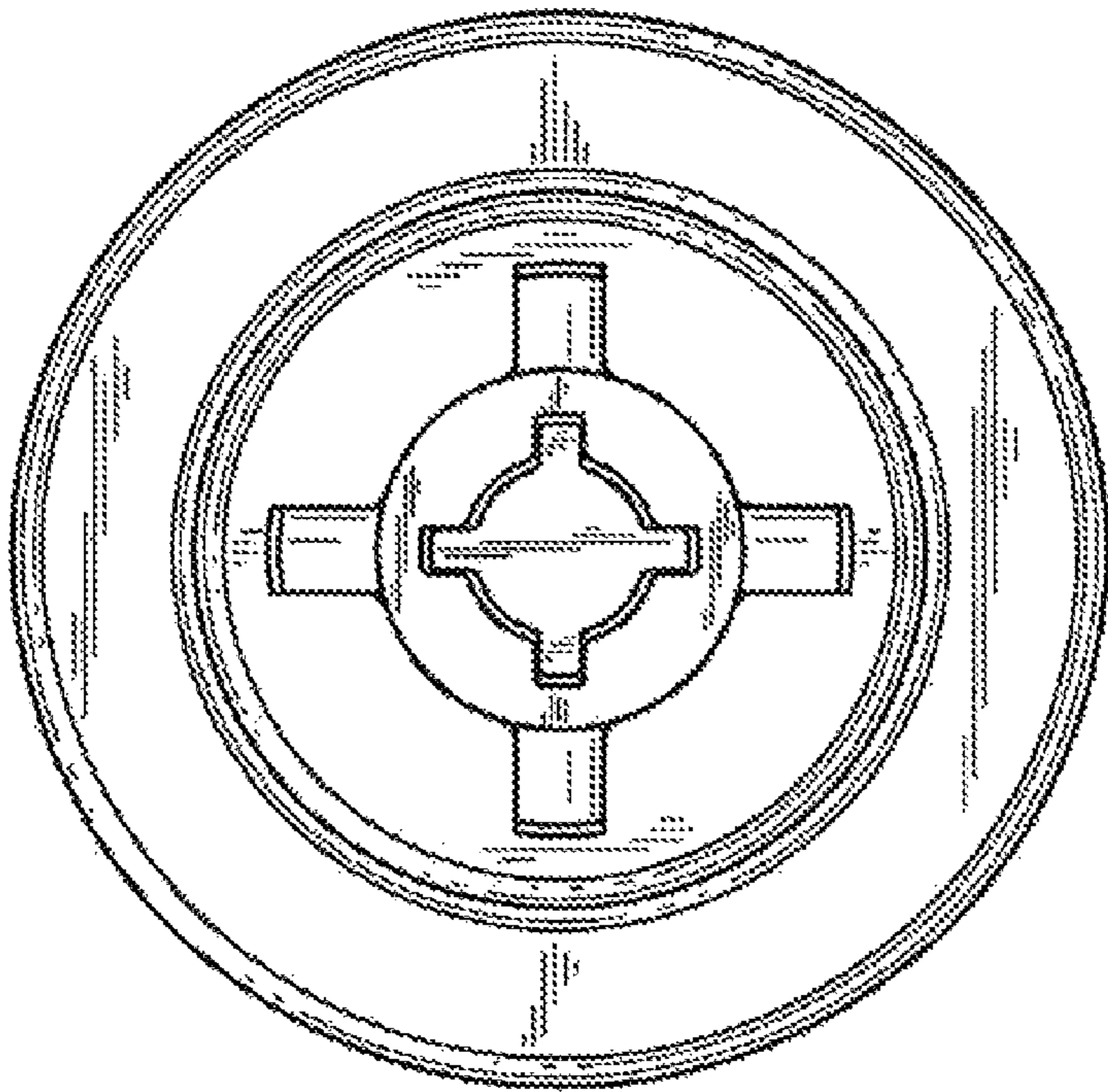


FIG. 3