



US00D629820S

(12) **United States Design Patent**
Van Ryswyk

(10) **Patent No.:** **US D629,820 S**
(45) **Date of Patent:** **** Dec. 28, 2010**

(54) **PIERCING CAP DRIVE SOCKET**
(76) Inventor: **Mathys Marion Van Ryswyk**, 1363
Biscay Dr., Edwardsville, IL (US) 62025
(**) Term: **14 Years**
(21) Appl. No.: **29/370,163**
(22) Filed: **Jun. 11, 2010**

5,809,851 A * 9/1998 Thompson 81/124.2
6,901,825 B1 * 6/2005 Lebron 81/124.2
7,178,430 B2 * 2/2007 Butz 81/124.2
7,717,015 B2 * 5/2010 Nilsen et al. 81/176.2
2003/0000349 A1 * 1/2003 Morris 81/124.2
2004/0035259 A1 * 2/2004 Erwin 81/124.2
2006/0243102 A1 * 11/2006 Vines 81/124.2
2007/0012143 A1 * 1/2007 Tracy 81/124.2
2008/0011128 A1 * 1/2008 Stephens 81/124.2
2010/0064859 A1 * 3/2010 Stephens 81/125

* cited by examiner

Related U.S. Application Data

(63) Continuation-in-part of application No. 12/800,214,
filed on May 11, 2010.

Primary Examiner—Patricia Palasik

(74) *Attorney, Agent, or Firm*—Stephen C. Smith

(51) **LOC (9) Cl.** **15-09**
(52) **U.S. Cl.** **D15/139; D8/29**
(58) **Field of Classification Search** D8/21–29;
D15/138, 139, 140; 81/3.4, 60, 110.1, 120,
81/121.1, 124.3, 124.2, 124.6, 165–170,
81/176.1, 176.15, 176.2, 177.1, 177.85; 219/75,
219/121.16, 121.18, 227, 229; 313/118
See application file for complete search history.

(57) **CLAIM**

I claim the ornamental design for a piercing cap drive socket,
as shown and described.

DESCRIPTION

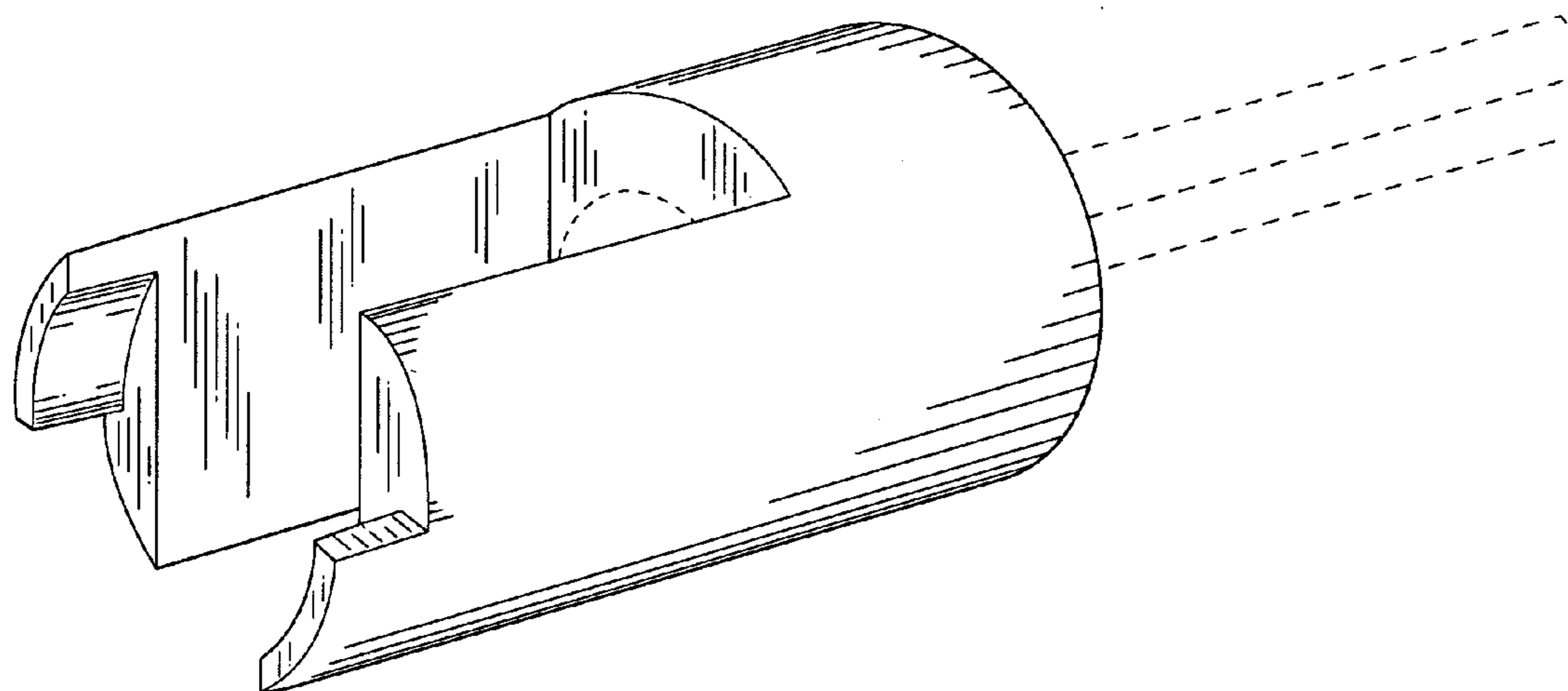
FIG. 1 is a bottom perspective view of a piercing cap drive socket;
FIG. 2 is a bottom planar view of FIG. 1, thereof;
FIG. 3 is a top planar view of FIG. 1, thereof;
FIG. 4 is a front elevation view of FIG. 1, thereof; and,
FIG. 5 is a side elevation view of FIG. 1, thereof.

(56) **References Cited**

U.S. PATENT DOCUMENTS

2,400,166 A * 5/1946 Reece 411/299
5,697,268 A * 12/1997 Makovsky et al. 81/125

1 Claim, 3 Drawing Sheets



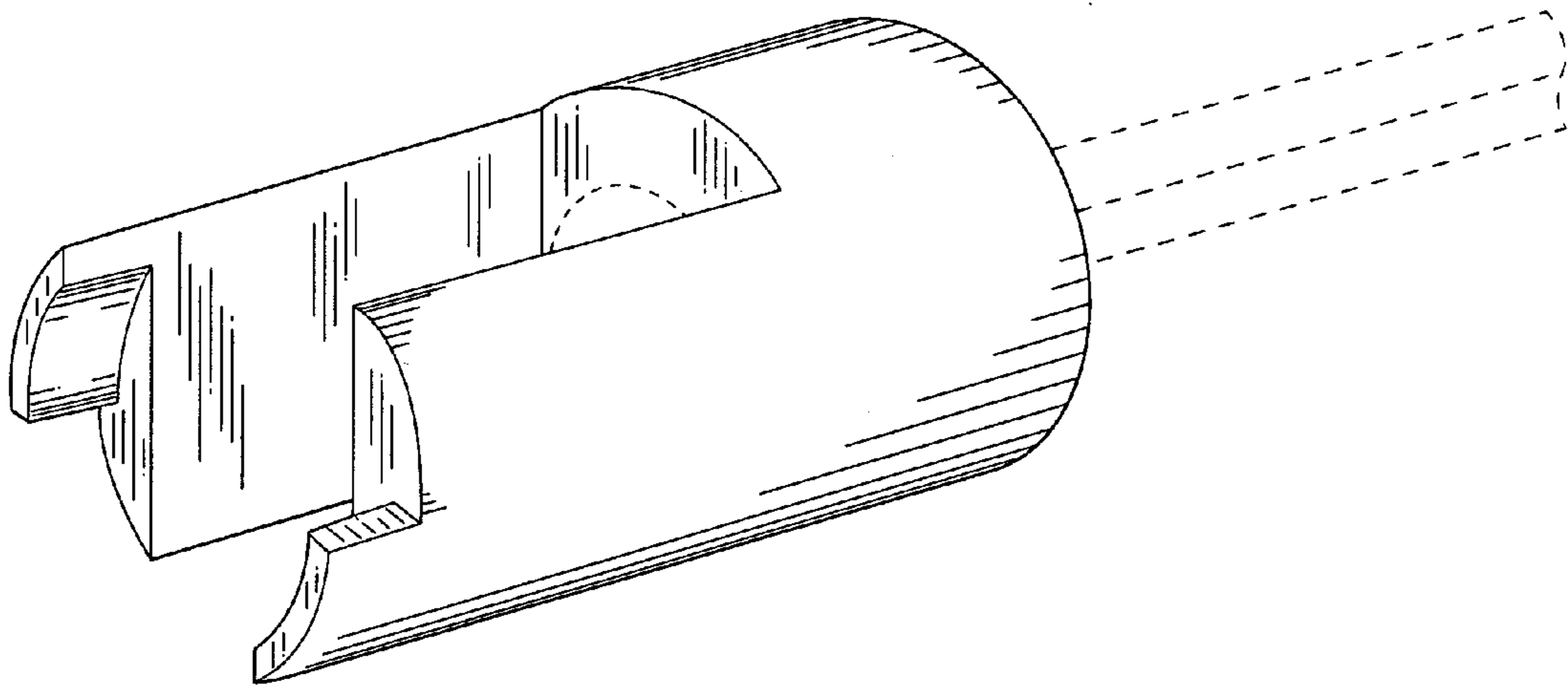


Figure 1

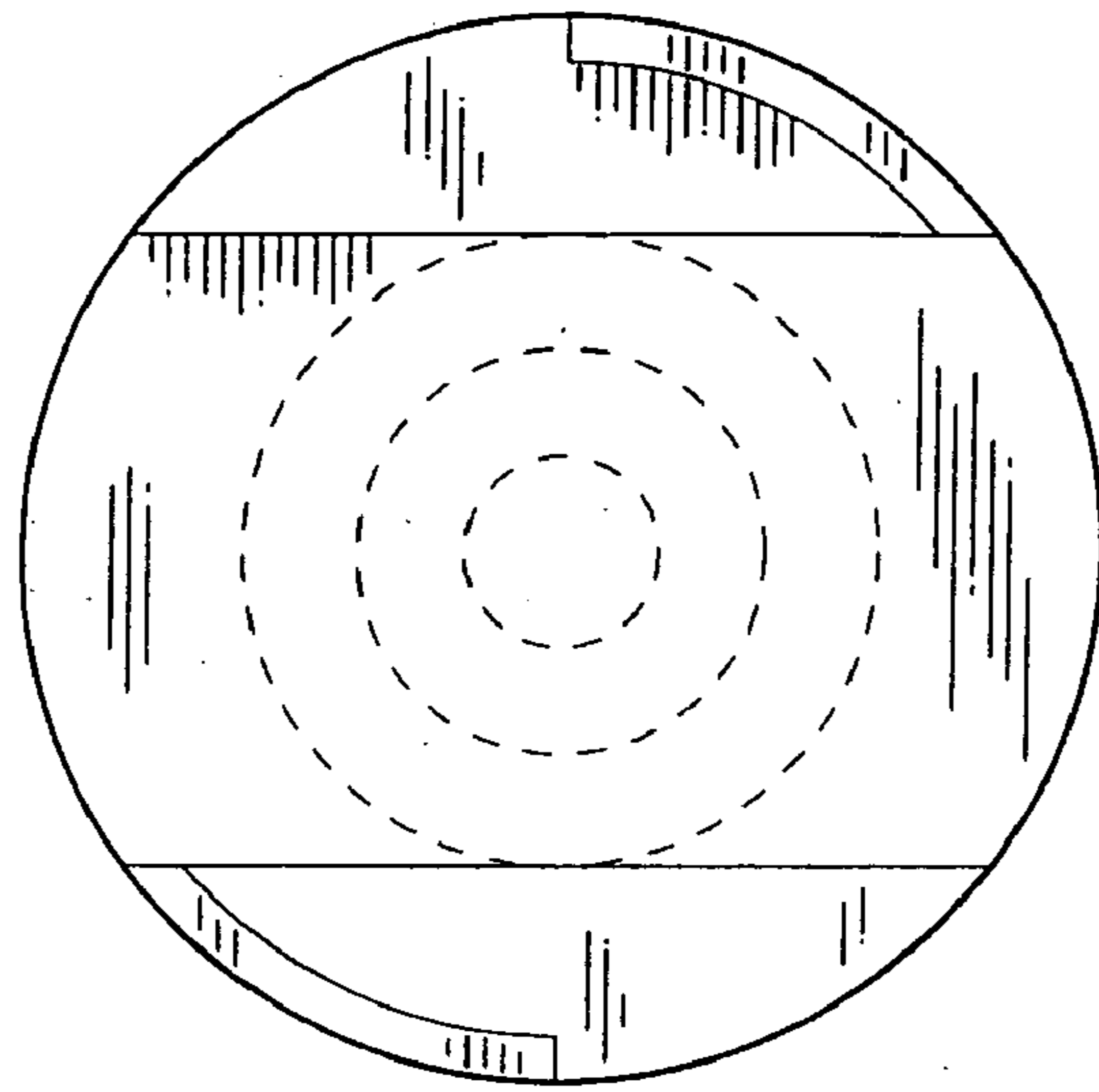


Figure 2

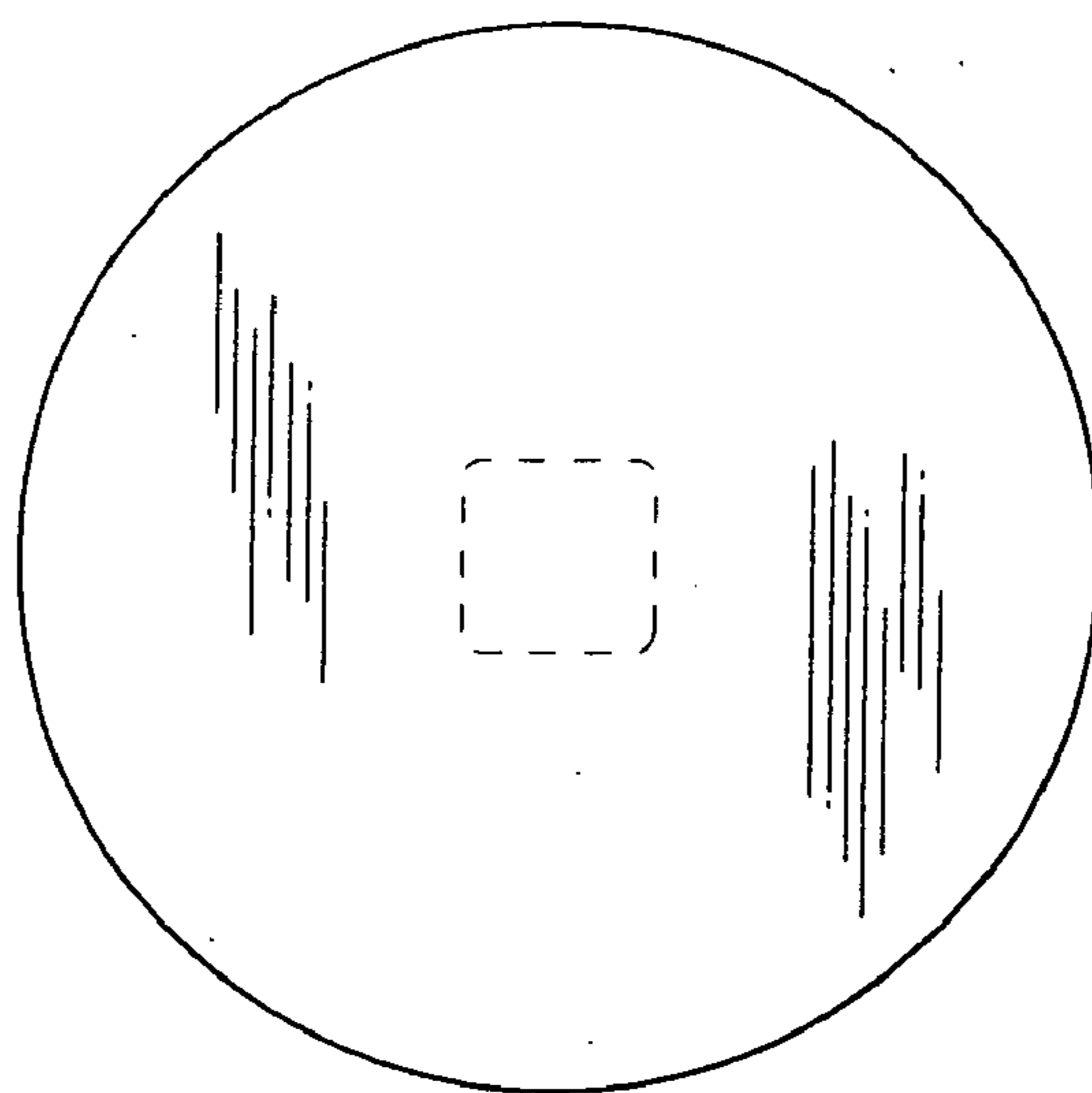


Figure 3

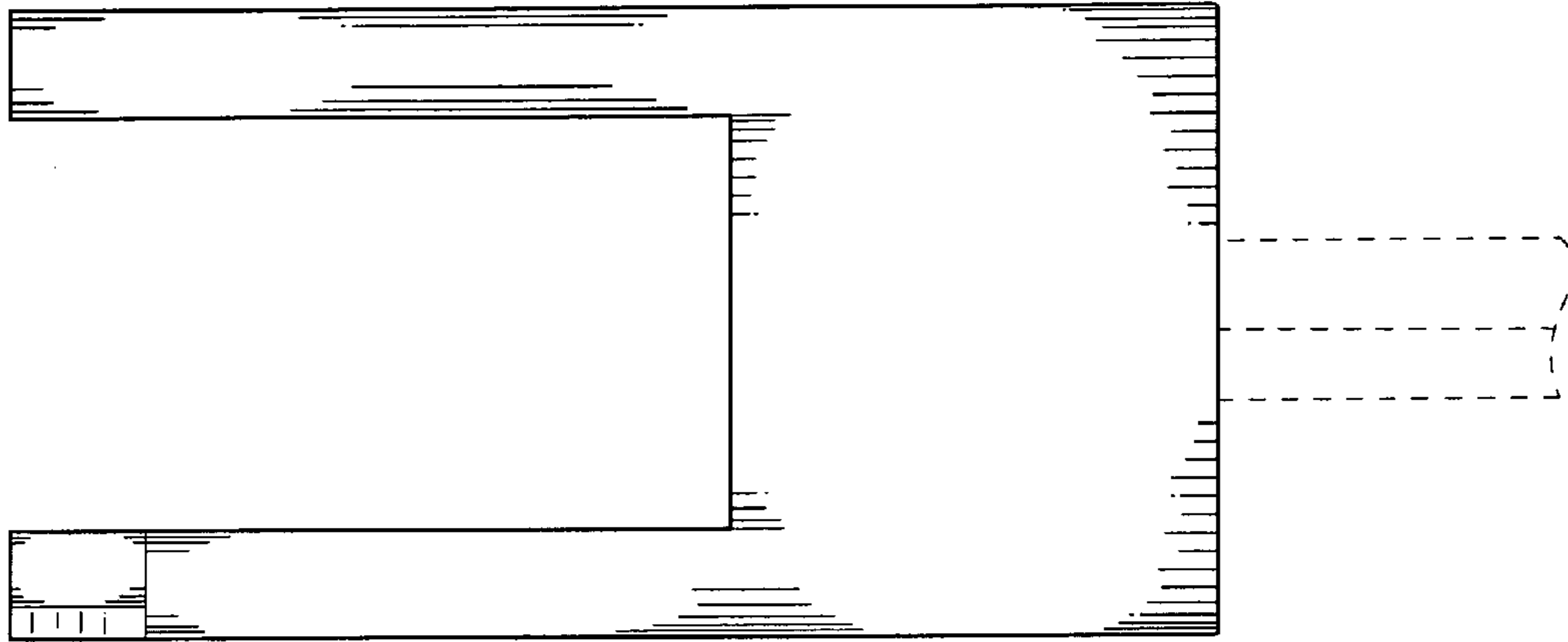


Figure 4

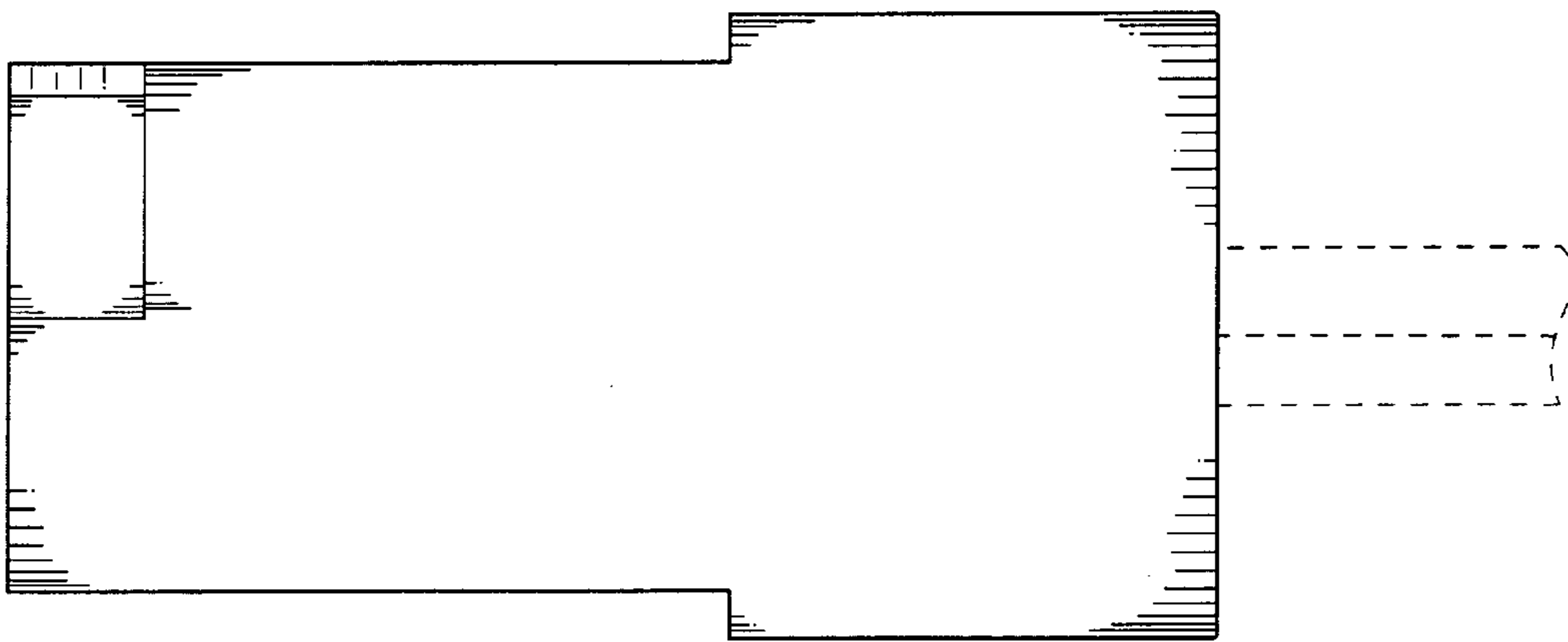


Figure 5