



US00D629817S

(12) **United States Design Patent**
Nishimura et al.

(10) **Patent No.:** **US D629,817 S**
(45) **Date of Patent:** **** Dec. 28, 2010**

(54) **TRAVELING MACHINE FOR CONSTRUCTION MACHINE**

(75) Inventors: **Koichi Nishimura**, Hiroshima (JP); **Shinji Katsuhara**, Hiroshima (JP); **Koji Yonezawa**, Hiroshima (JP)

(73) Assignee: **Kobelco Construction Machinery Co., Ltd.**, Hiroshima-shi (JP)

(**) Term: **14 Years**

(21) Appl. No.: **29/357,154**

(22) Filed: **Mar. 8, 2010**

(30) **Foreign Application Priority Data**

Sep. 11, 2009 (JP) 2009-021069

(51) **LOC (9) Cl.** **15-03**

(52) **U.S. Cl.** **D15/28**

(58) **Field of Classification Search** D15/10, D15/22-26, 28, 30, 33; 296/193.03, 193.08; 172/611, 776; 180/69.24, 89.1, 89.12, 89.13, 180/900, 326; 37/443, 379; 414/601, 602, 414/685, 687, 688, 694, 722-724, 699, 680, 414/698, 719, 743

See application file for complete search history.

(56) **References Cited**

U.S. PATENT DOCUMENTS

D284,577 S * 7/1986 DuBose D15/28
D432,144 S * 10/2000 Kraft et al. D15/30
D433,689 S * 11/2000 Kraft et al. D15/30
D436,605 S * 1/2001 Shaw et al. D15/30
6,170,588 B1 * 1/2001 Irino et al. 180/89.1
D450,331 S * 11/2001 Murakami et al. D15/25

(Continued)

OTHER PUBLICATIONS

U.S. Appl. No. 29/357,140, filed Mar. 8, 2010, Nishimura, et al.

(Continued)

Primary Examiner—Mark A Goodwin
(74) *Attorney, Agent, or Firm*—Oblon, Spivak, McClelland, Maier & Neustadt, L.L.P.

(57) **CLAIM**

The ornamental design for a traveling machine for construction machine, as shown and described.

DESCRIPTION

FIG. 1 is a front, top, and right side perspective view of a traveling machine for construction machine showing our new design in use condition;

FIG. 2 is a rear, top, and left side perspective view thereof;

FIG. 3 is a right side elevational view thereof;

FIG. 4 is a left side elevational view thereof;

FIG. 5 is a rear elevational view thereof;

FIG. 6 is a front elevational view thereof;

FIG. 7 is a top plan view thereof; and

FIG. 8 is a bottom plan view thereof.

FIG. 9 is an enlarged front, top, and right side perspective view of FIG. 1;

FIG. 10 is an enlarged rear, top, and left side perspective view of FIG. 2;

FIG. 11 is an enlarged right side elevational view thereof;

FIG. 12 is an enlarged left side elevational view thereof;

FIG. 13 is an enlarged rear elevational view thereof;

FIG. 14 is an enlarged front elevational view thereof;

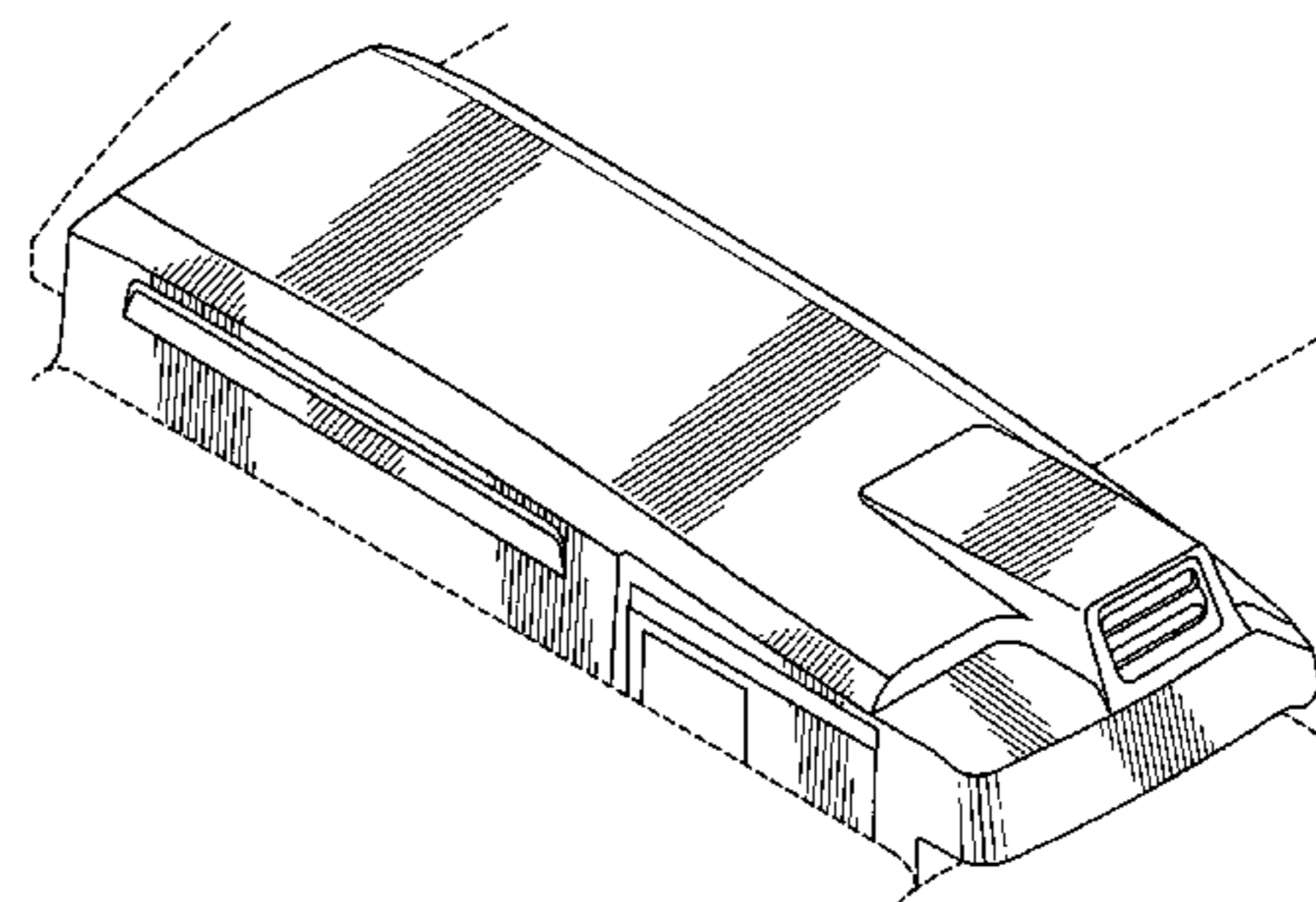
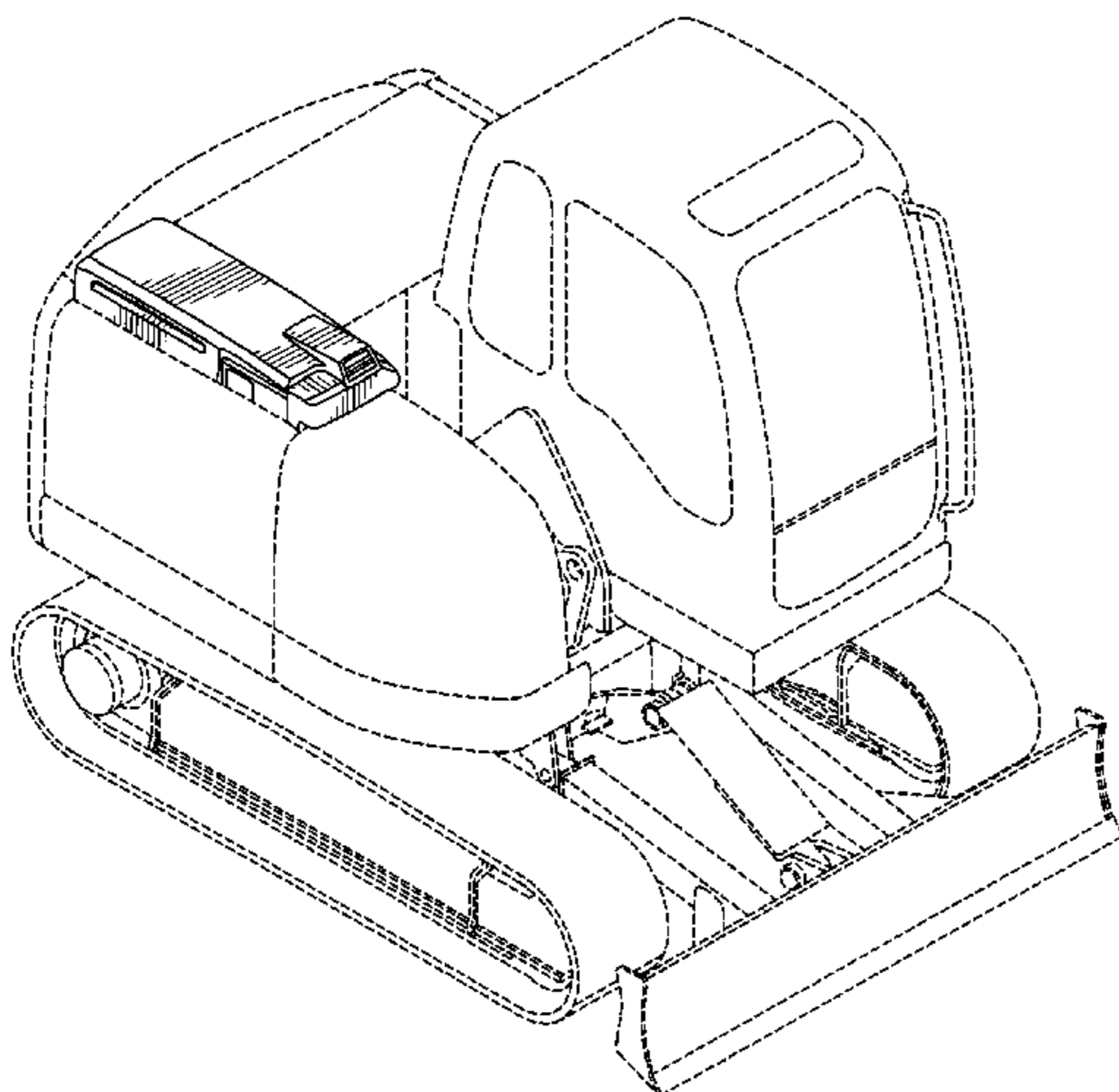
FIG. 15 is an enlarged top plan view thereof;

FIG. 16 is a cross-sectional view thereof taken along line 16—16 of FIG. 11; and,

FIG. 17 is a cross-sectional view thereof taken along line 17—17 of FIG. 14.

The broken lines in the drawings depict environmental subject matter only and form no part of the claimed design.

1 Claim, 11 Drawing Sheets



US D629,817 S

Page 2

U.S. PATENT DOCUMENTS

D450,717 S *	11/2001	Muraro	D15/25	D591,773 S *	5/2009	Ueta et al.	D15/22
6,502,896 B1 *	1/2003	Nakata et al.	296/190.05	D593,137 S *	5/2009	Ueta et al.	D15/28
D508,498 S *	8/2005	Shimokakiuchi et al.	D15/24	D594,884 S *	6/2009	Murakami et al.	D15/28
D518,071 S *	3/2006	Gwak et al.	D15/25	D609,252 S *	2/2010	Shimada et al.	D15/25
D555,675 S *	11/2007	Matsubara et al.	D15/25	2004/0084934 A1 *	5/2004	Yokoo et al.	296/190.01
D558,798 S *	1/2008	Sakitani et al.	D15/28				
D562,354 S *	2/2008	Imashige et al.	D15/28				
D563,437 S *	3/2008	Imashige et al.	D15/24				
D575,804 S *	8/2008	Murakami et al.	D15/28				
D590,845 S *	4/2009	Ochi et al.	D15/22				

OTHER PUBLICATIONS

U.S. Appl. No. 29/357,035, filed Mar. 5, 2010, Nishimura, et al.
U.S. Appl. No. 29/357,154, filed Mar. 8, 2010, Nishimura, et al.

* cited by examiner

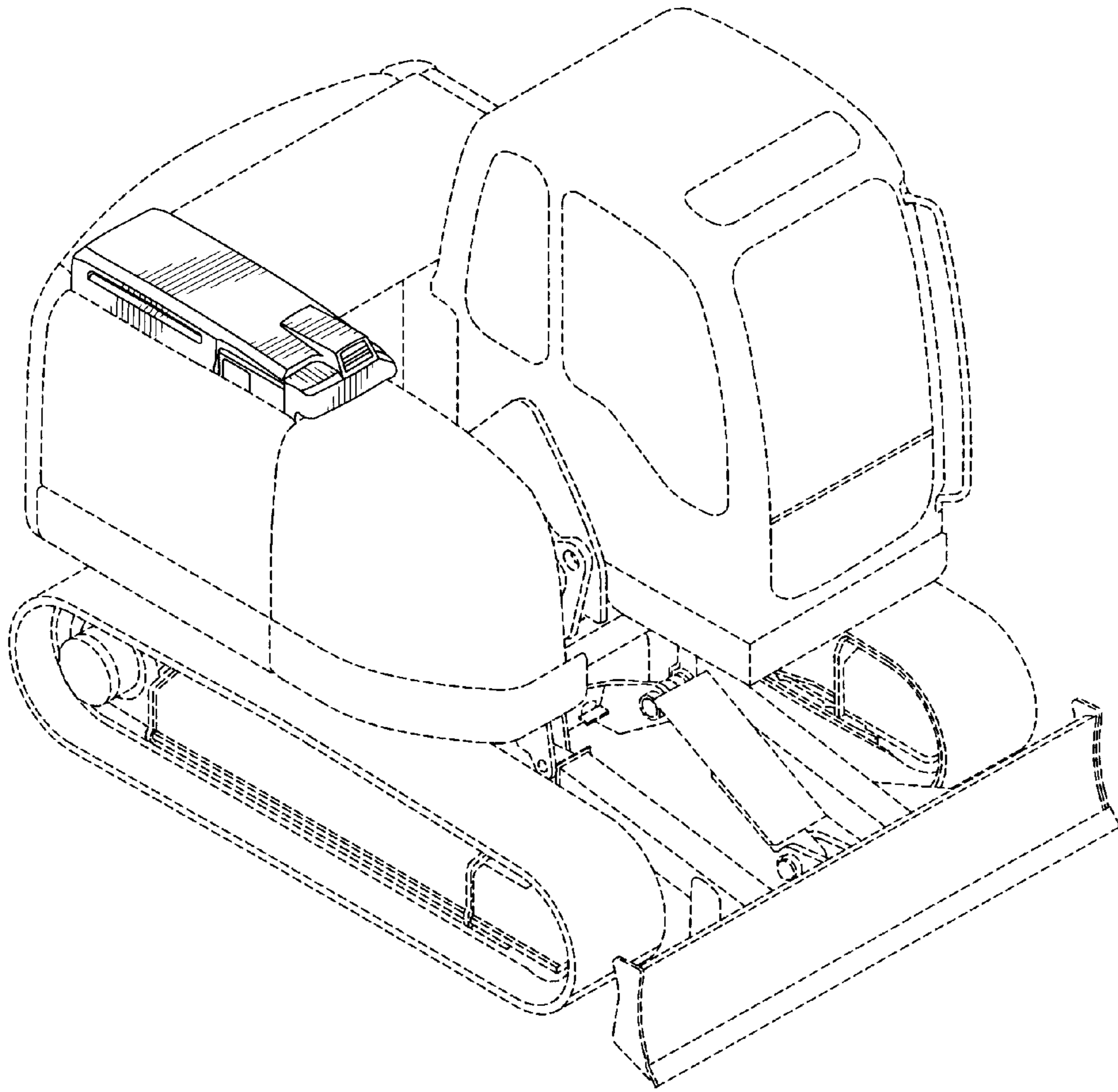


Fig. 1

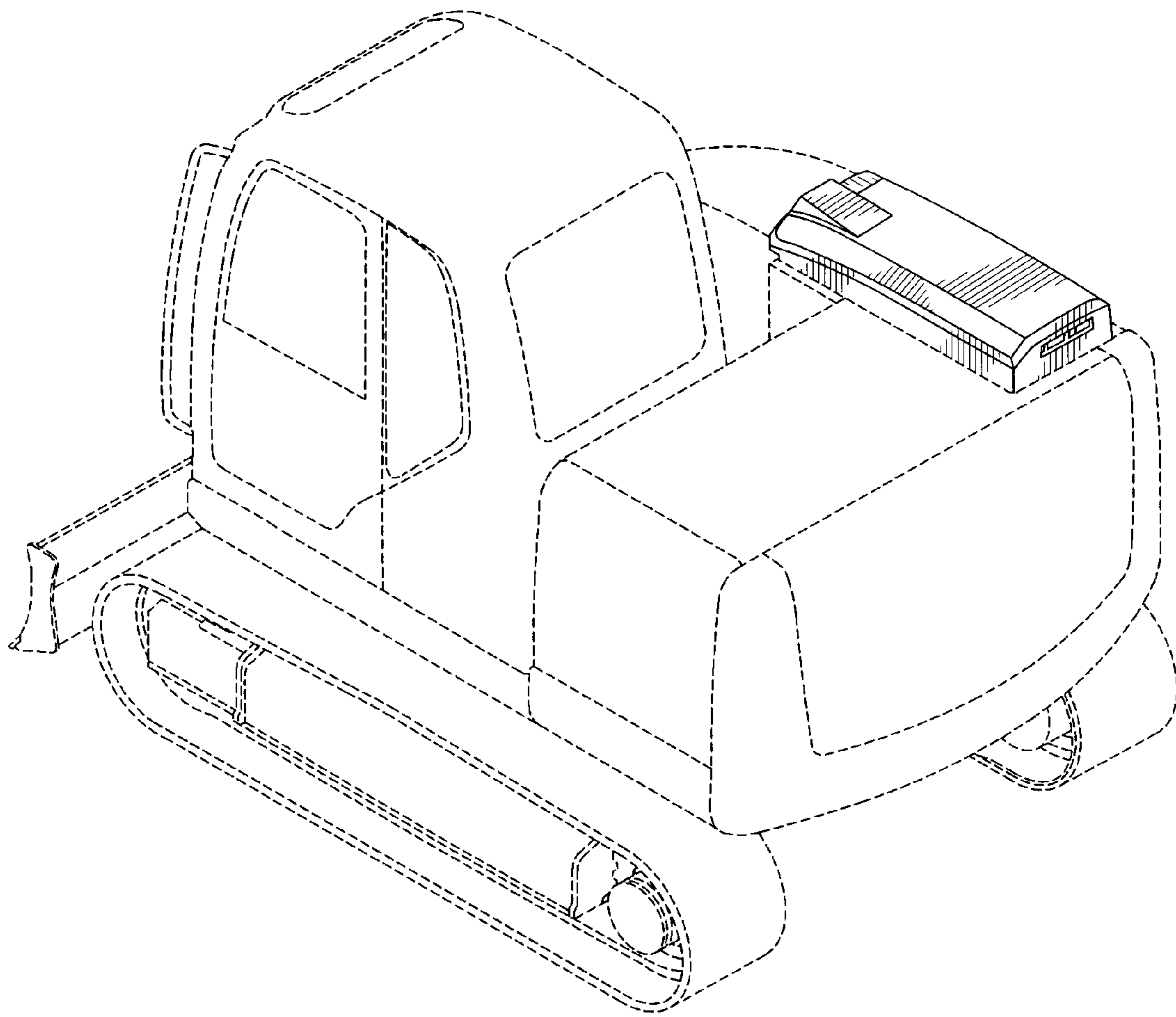


Fig. 2

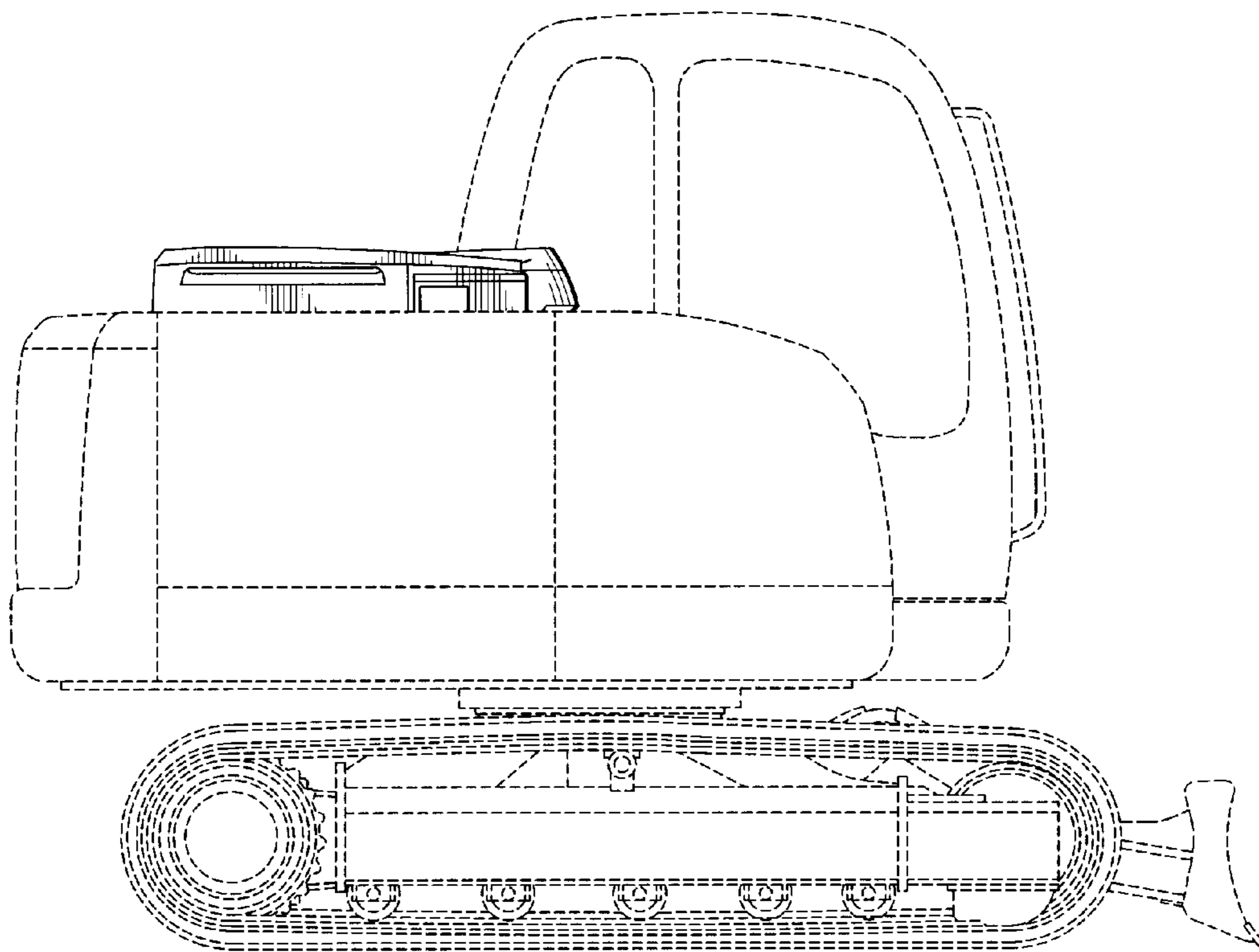


Fig. 3

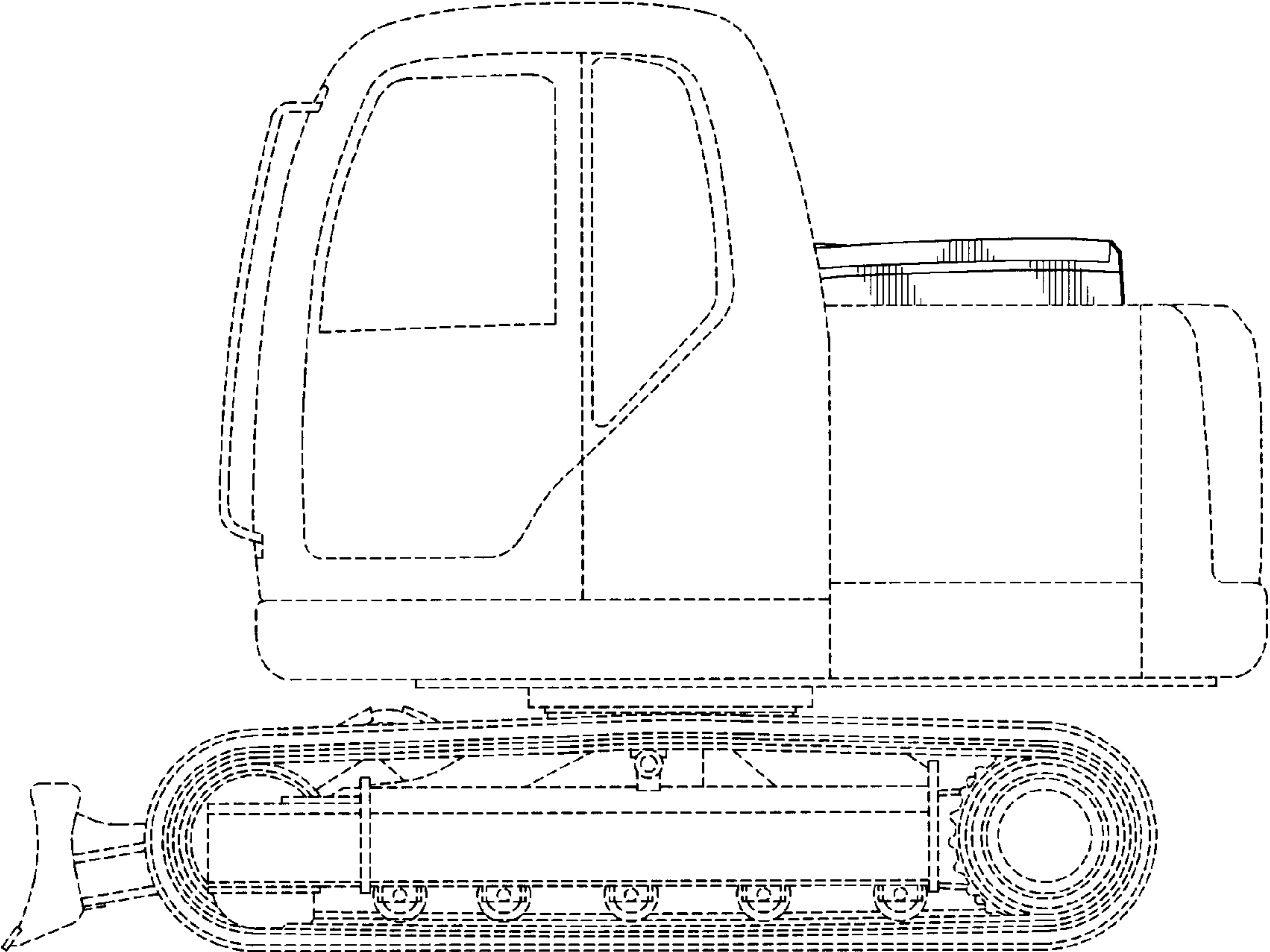


Fig. 4

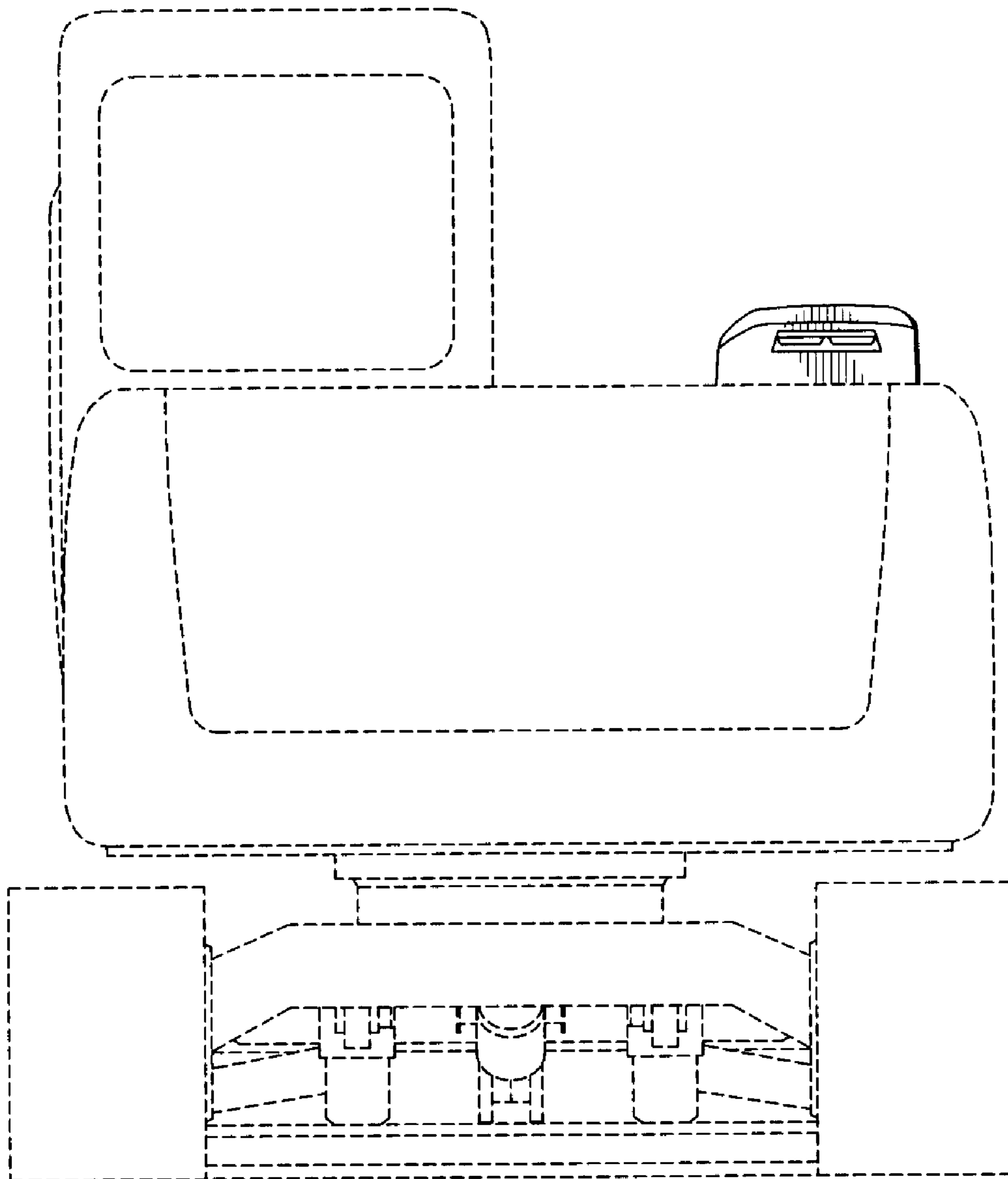


Fig. 5

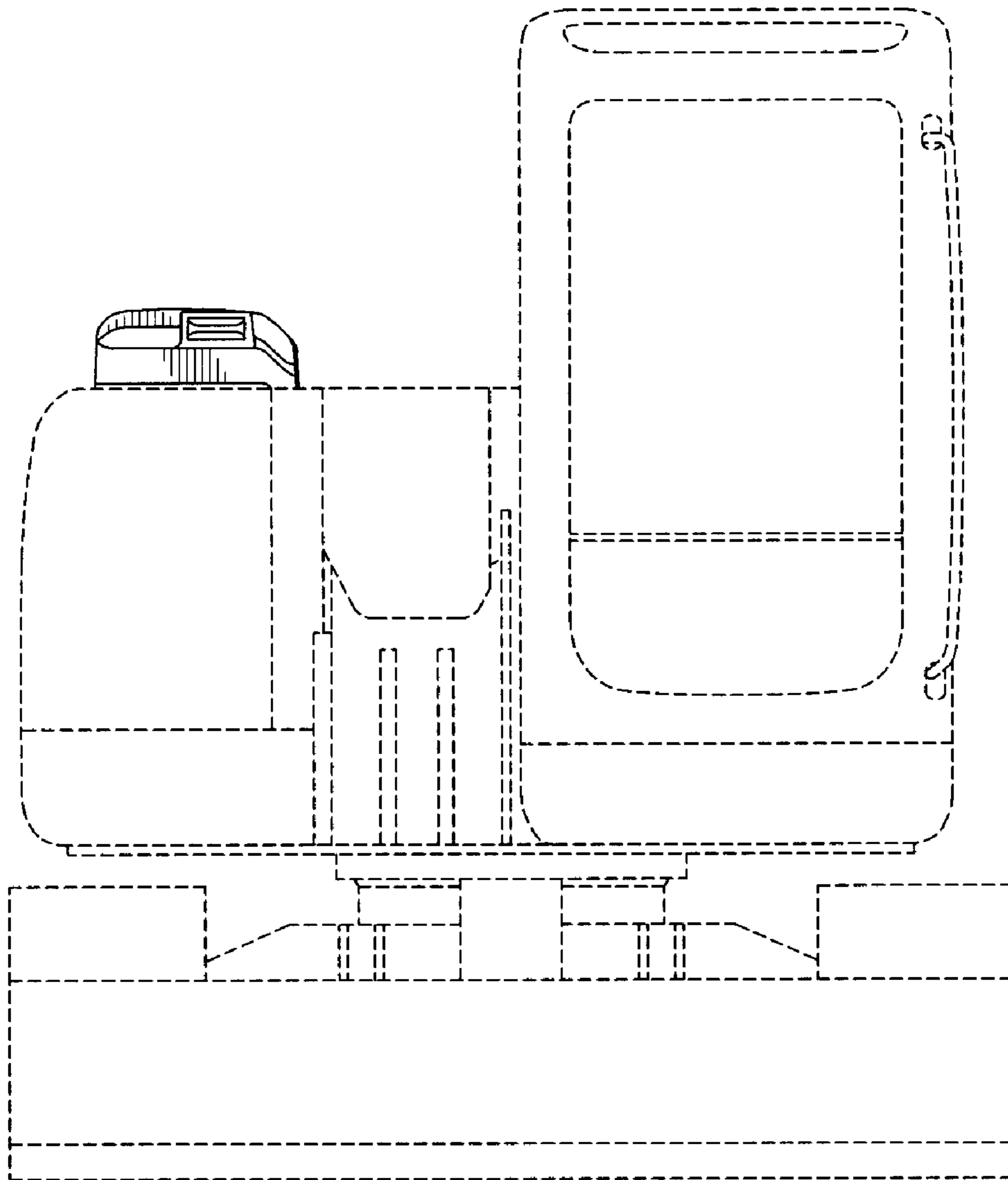


Fig. 6

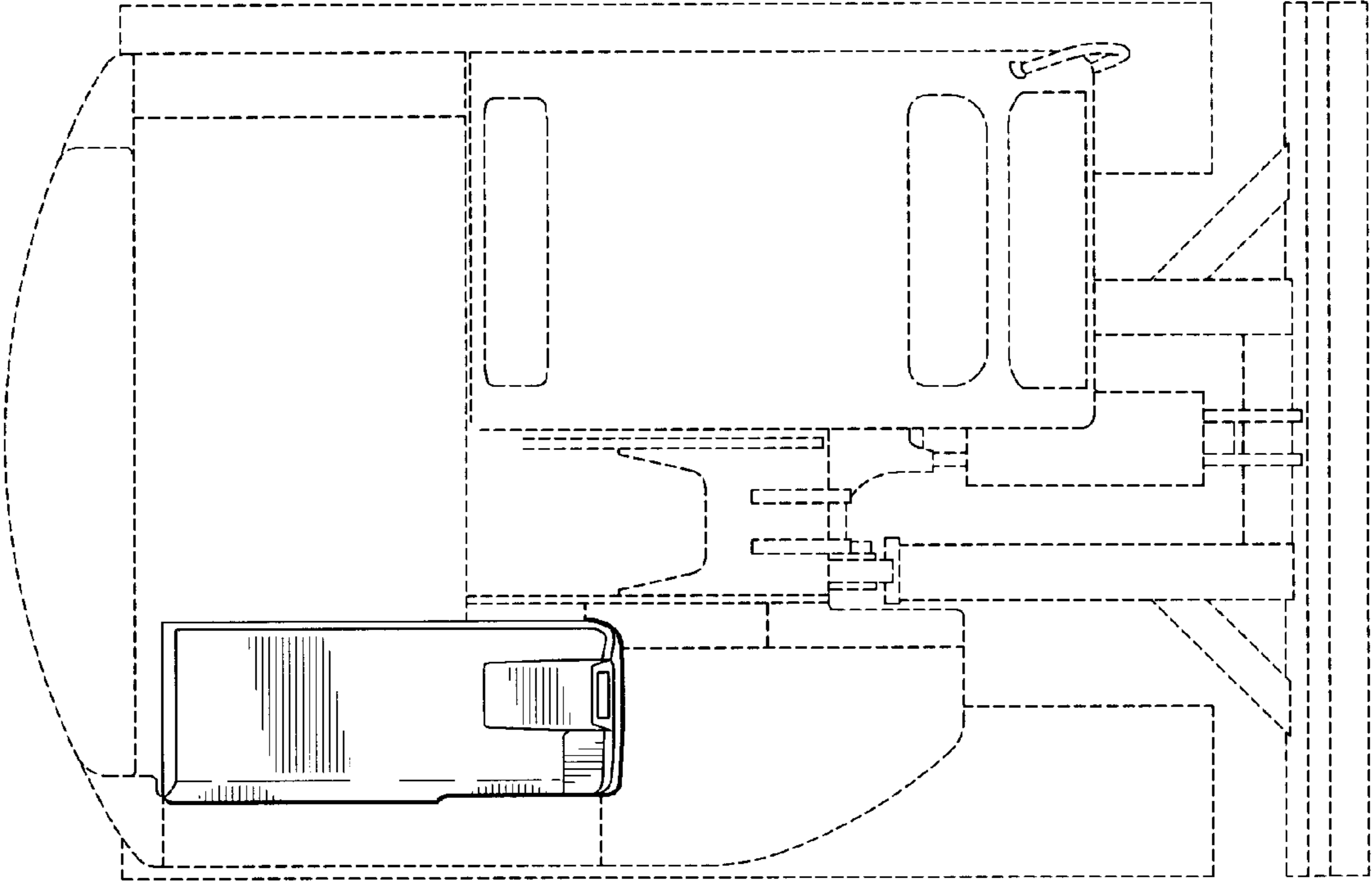


Fig. 7

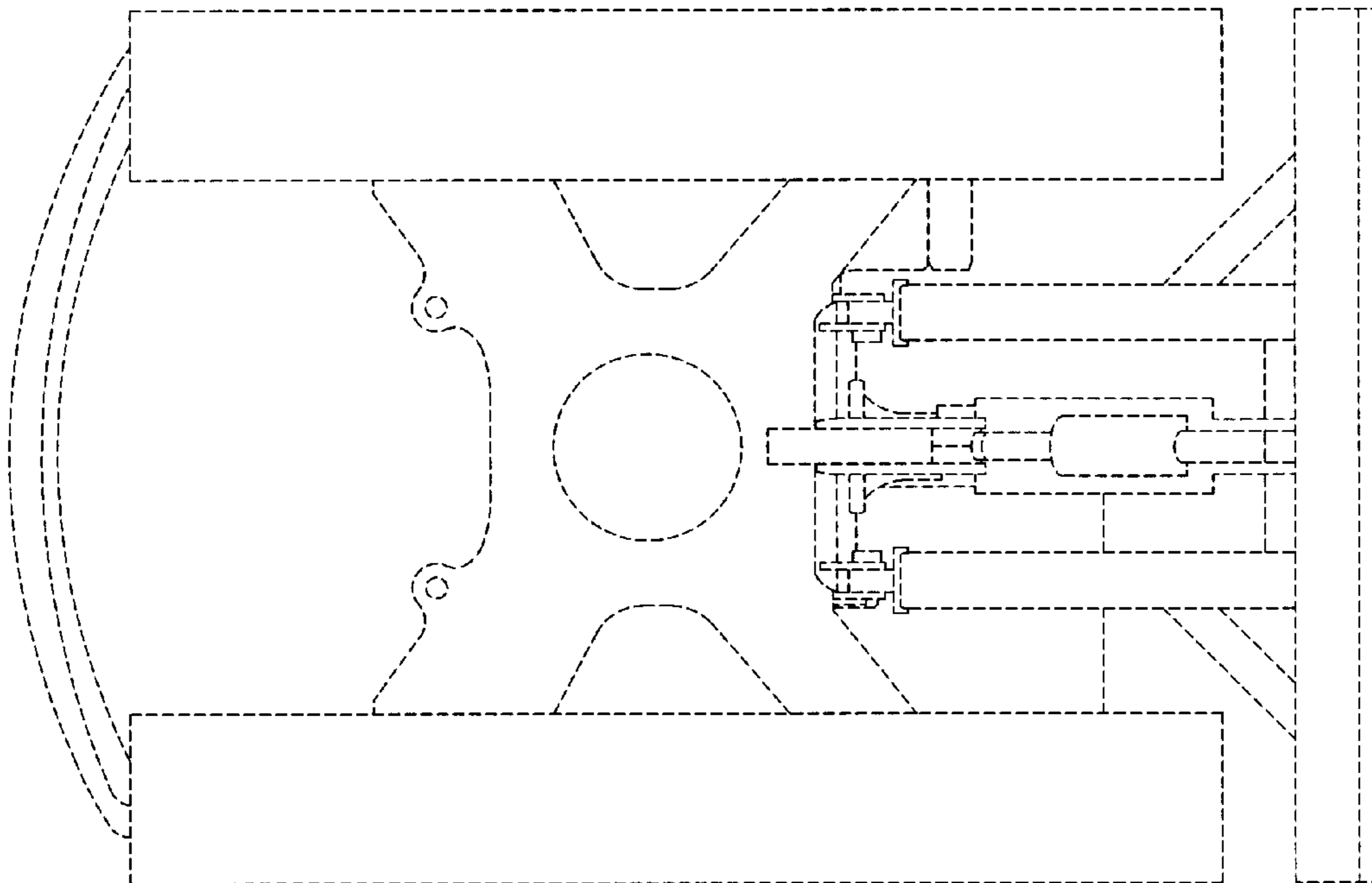


Fig. 8

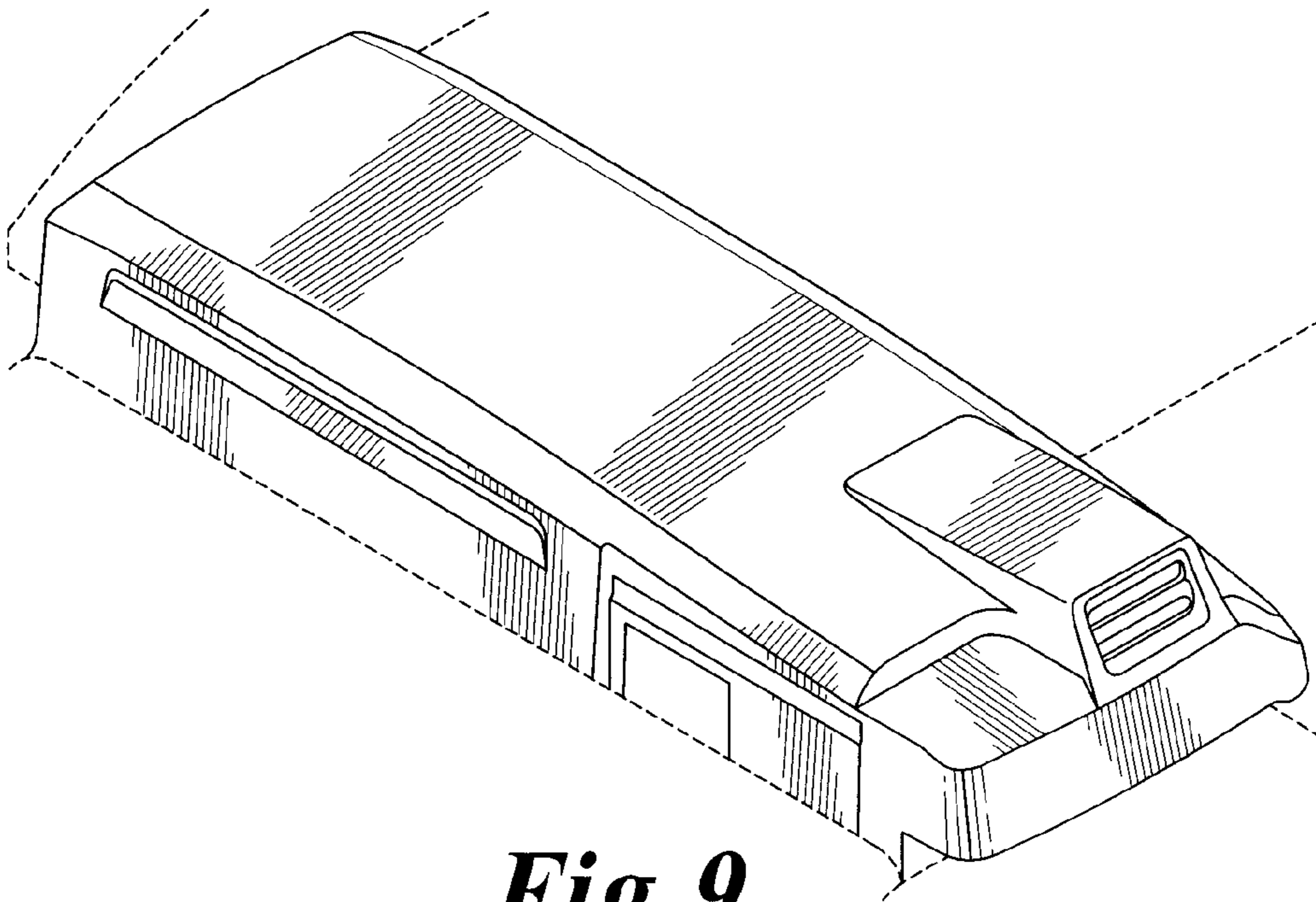


Fig. 9

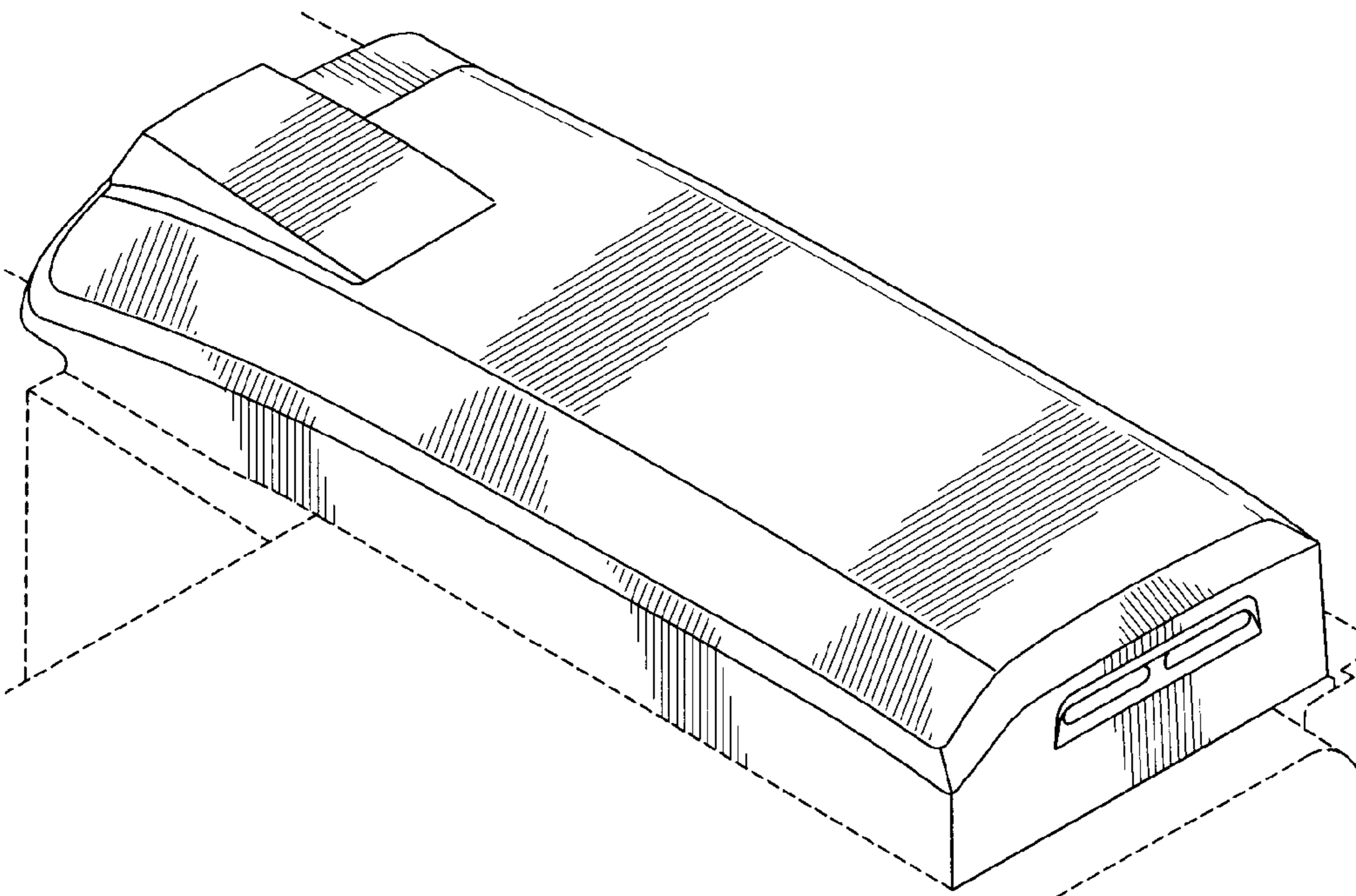


Fig. 10

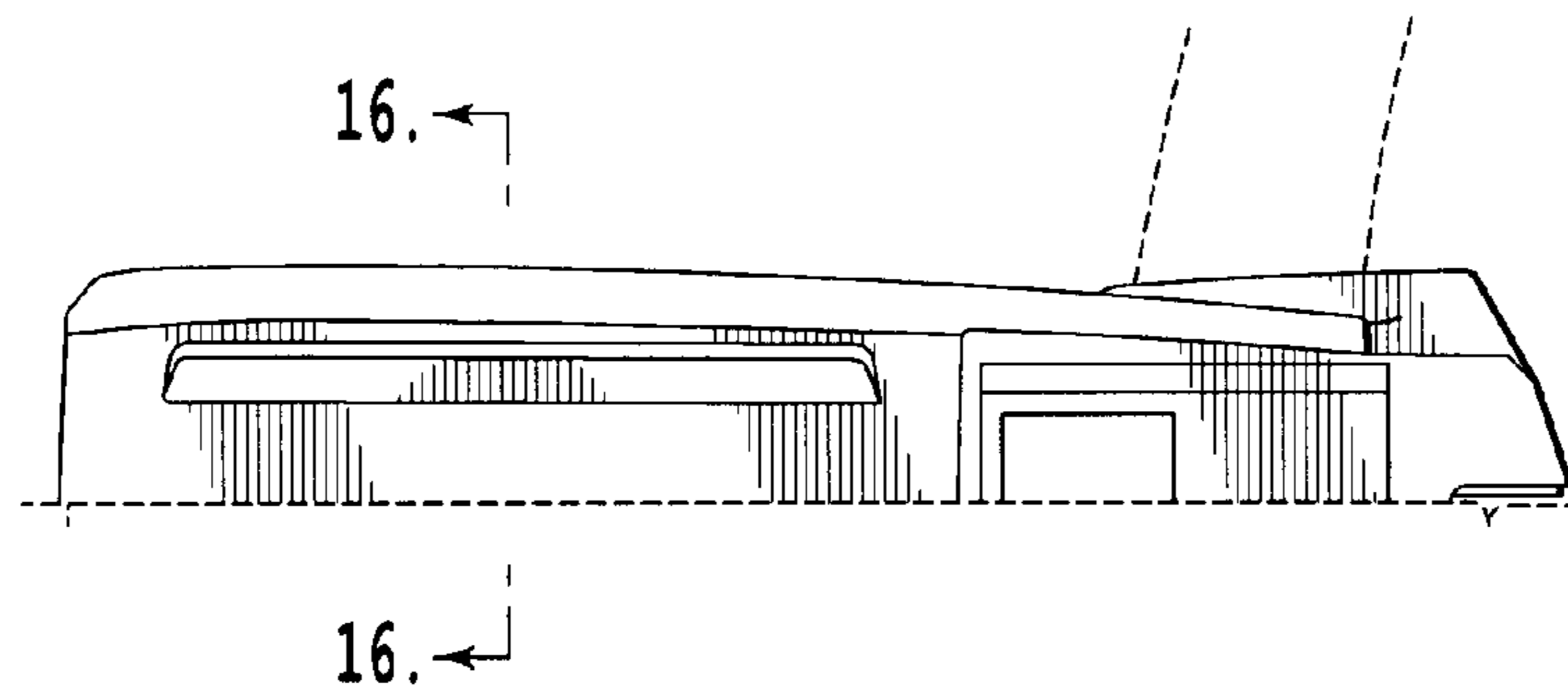


Fig. 11

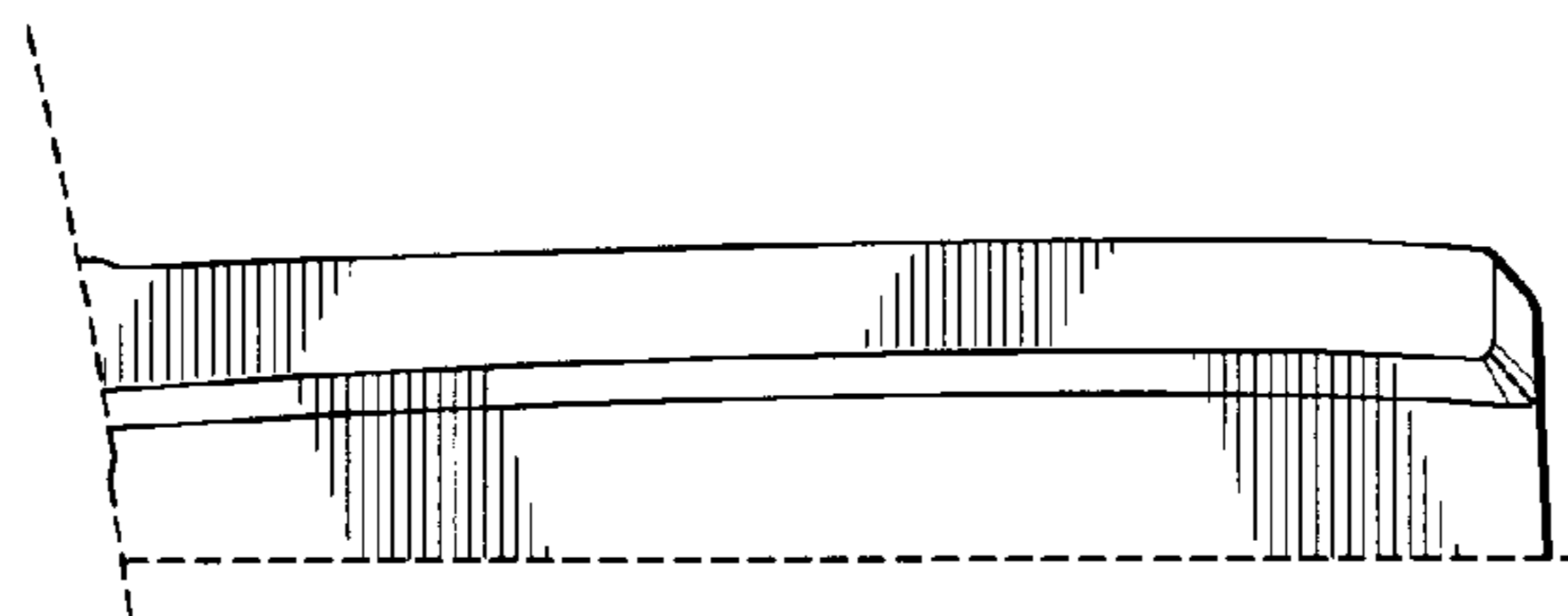


Fig. 12

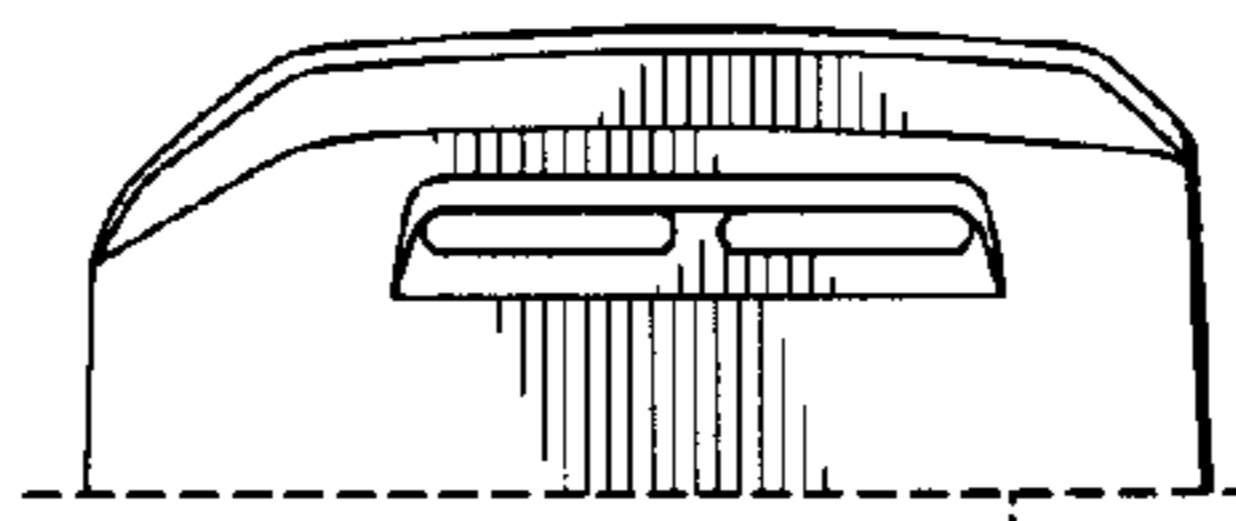


Fig. 13

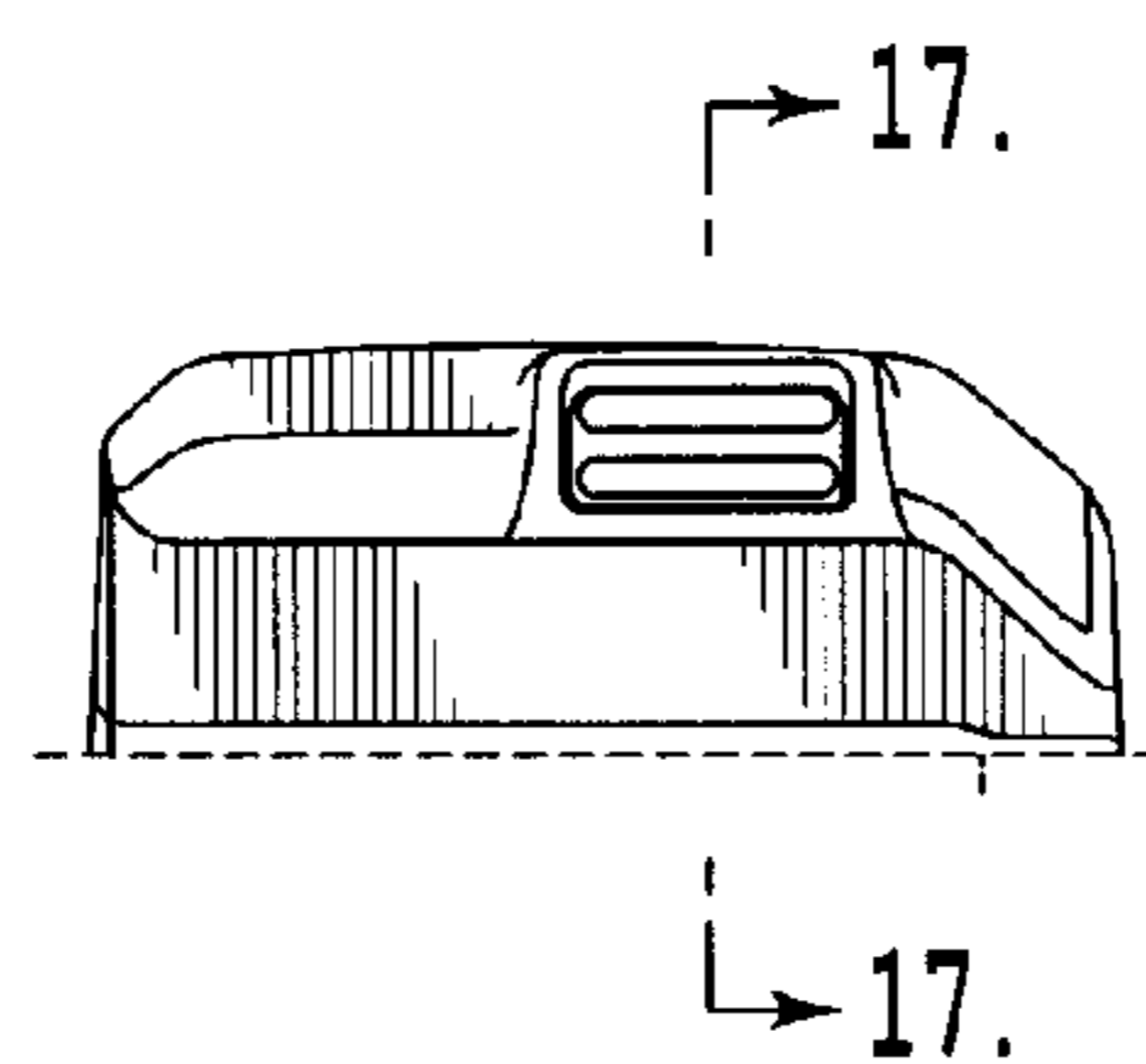


Fig. 14

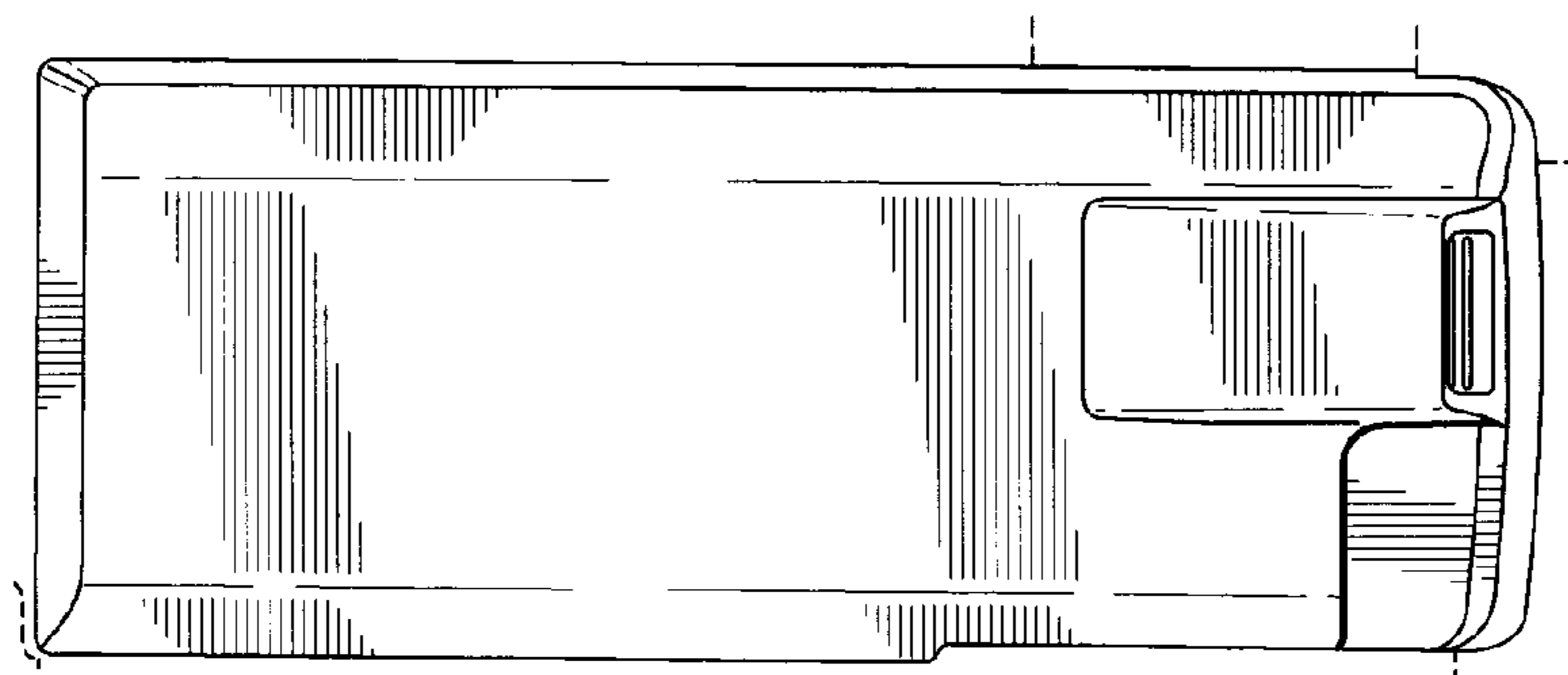


Fig. 15

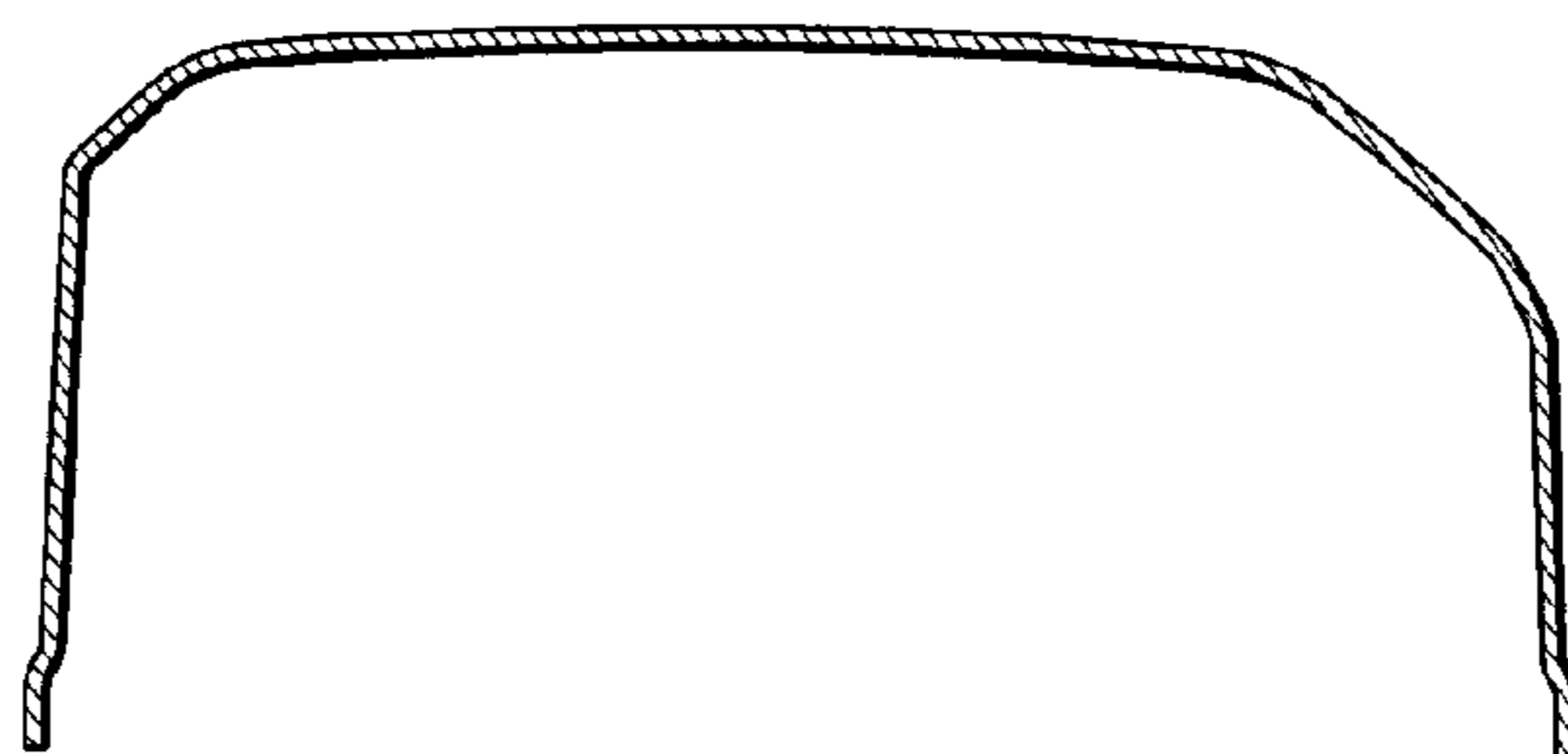


Fig. 16

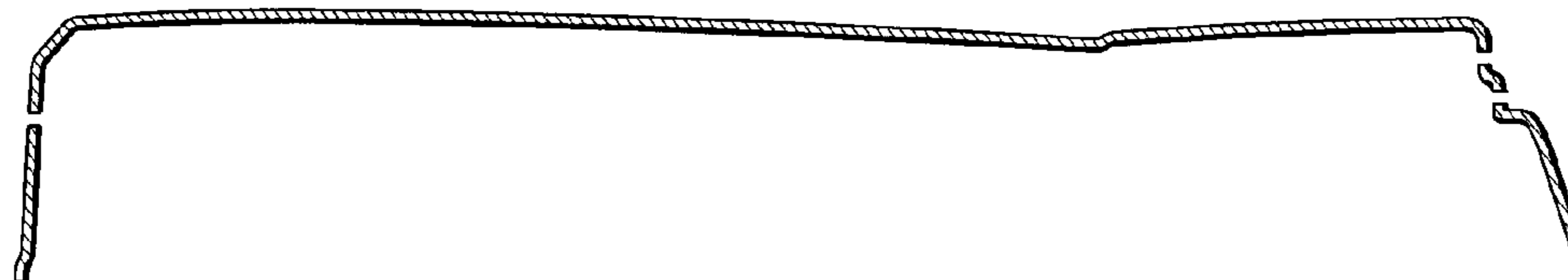


Fig. 17