



US00D629816S

(12) **United States Design Patent**  
**Nishimura et al.**

(10) **Patent No.:** **US D629,816 S**  
(45) **Date of Patent:** **\*\* Dec. 28, 2010**

(54) **TRAVELING MACHINE FOR CONSTRUCTION**

D563,437 S \* 3/2008 Imashige et al. .... D15/24  
(Continued)

(75) Inventors: **Koichi Nishimura**, Hiroshima (JP);  
**Shinji Katsuhara**, Hiroshima (JP); **Koji Yonezawa**, Hiroshima (JP)

**OTHER PUBLICATIONS**

U.S. Appl. No. 29/357,140, filed Mar. 8, 2010, Nishimura et al.  
(Continued)

(73) Assignee: **Kobelco Construction Machinery Co., Ltd.**, Hiroshima-shi (JP)

*Primary Examiner*—Mark A Goodwin  
(74) *Attorney, Agent, or Firm*—Oblon, Spivak, McClelland, Maier & Neustadt, L.L.P.

(\*\*) Term: **14 Years**

(21) Appl. No.: **29/357,140**

(57) **CLAIM**

The ornamental design for a traveling machine for construction, as shown and described.

(22) Filed: **Mar. 8, 2010**

(30) **Foreign Application Priority Data**

**DESCRIPTION**

Sep. 11, 2009 (JP) ..... 2009-021070

FIG. 1 is a front, top, and right side perspective view of a traveling machine for construction showing our new design in use condition;

(51) **LOC (9) Cl.** ..... **15-03**

(52) **U.S. Cl.** ..... **D15/28**

(58) **Field of Classification Search** ..... D15/10,  
D15/22–26, 28, 30, 33; 296/193.03, 193.08;  
172/611, 776; 180/69.24, 89.1, 89.12, 89.13,  
180/900, 326; 37/443, 379; 414/601, 602,  
414/685, 687, 688, 694, 722–724, 699, 680,  
414/698, 719, 743

FIG. 2 is a rear, top, and left side perspective view thereof;

FIG. 3 is a right side elevational view thereof;

FIG. 4 is a left side elevational view thereof;

FIG. 5 is a rear elevational view thereof;

FIG. 6 is a front elevational view thereof;

FIG. 7 is a top plan view thereof; and

FIG. 8 is a bottom plan view thereof.

See application file for complete search history.

FIG. 9 is an enlarged front, top, and right side perspective view of FIG. 1;

(56) **References Cited**

**U.S. PATENT DOCUMENTS**

- D284,577 S \* 7/1986 DuBose ..... D15/28
- D432,144 S \* 10/2000 Kraft et al. .... D15/30
- D433,689 S \* 11/2000 Kraft et al. .... D15/30
- D436,605 S \* 1/2001 Shaw et al. .... D15/30
- 6,170,588 B1 \* 1/2001 Irino et al. .... 180/89.1
- D450,331 S \* 11/2001 Murakami et al. .... D15/25
- D450,717 S \* 11/2001 Muraro ..... D15/25
- 6,502,896 B1 \* 1/2003 Nakata et al. .... 296/190.05
- D508,498 S \* 8/2005 Shimokakiuchi et al. .... D15/24
- D518,071 S \* 3/2006 Gwak et al. .... D15/25
- D555,675 S \* 11/2007 Matsubara et al. .... D15/25
- D558,798 S \* 1/2008 Sakitani et al. .... D15/28
- D562,354 S \* 2/2008 Imashige et al. .... D15/28

FIG. 10 is an enlarged rear, top, and left side perspective view of FIG. 2;

FIG. 11 is an enlarged right side elevational view thereof;

FIG. 12 is an enlarged left side elevational view thereof;

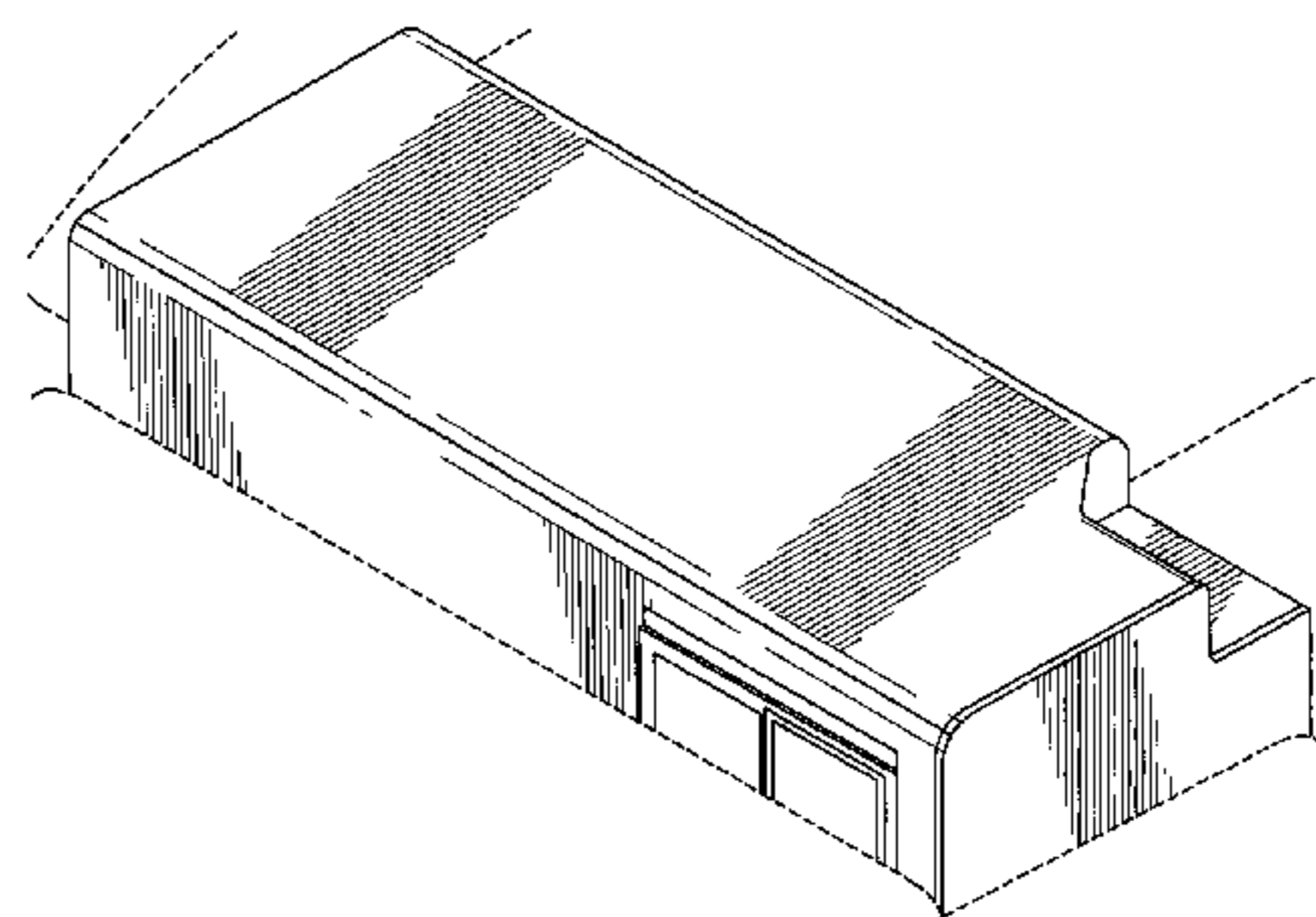
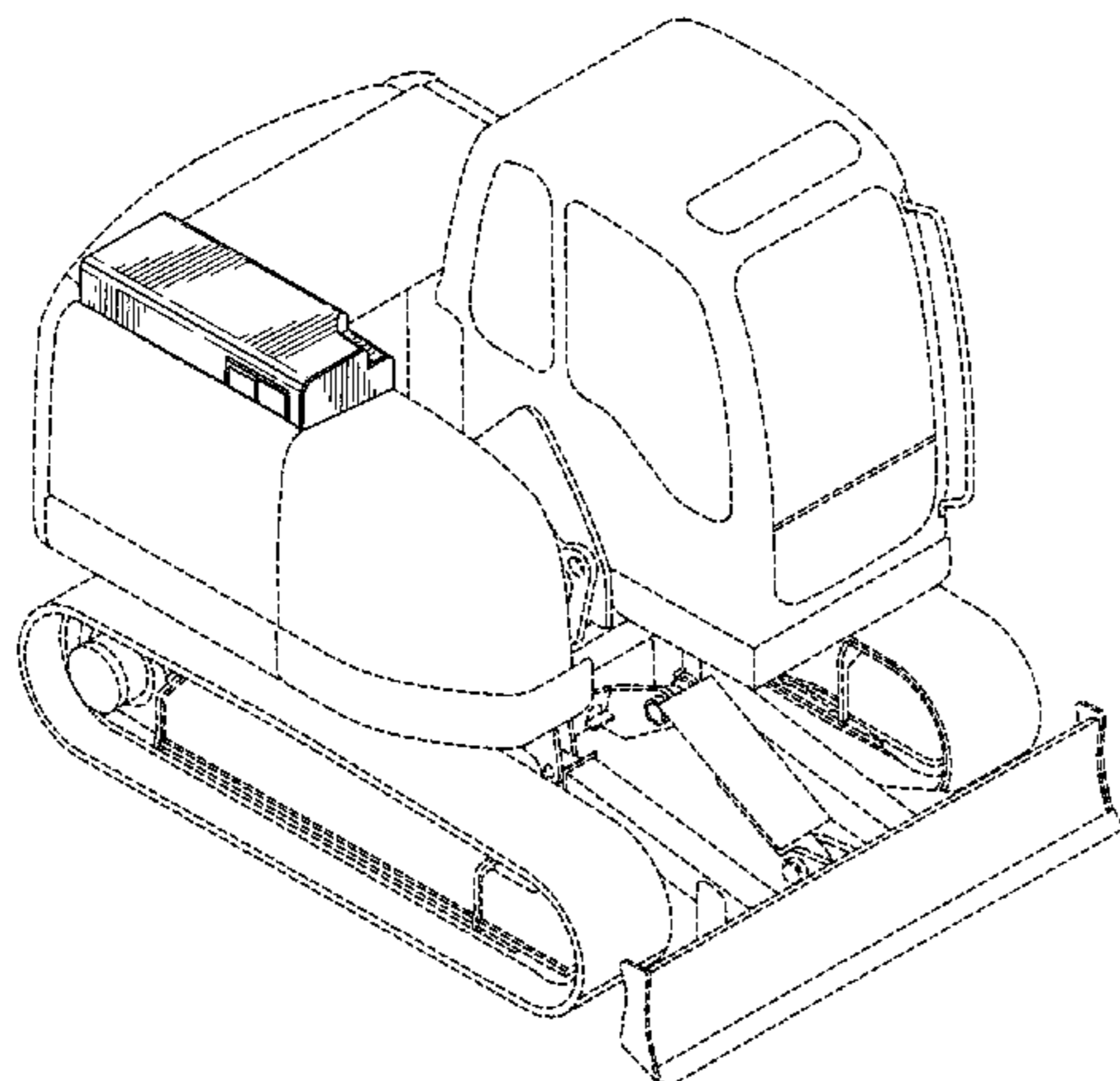
FIG. 13 is an enlarged rear elevational view thereof;

FIG. 14 is an enlarged front elevational view thereof; and,

FIG. 15 is an enlarged top plan view thereof.

The broken lines in the drawings depict environmental subject matter only and form no part of the claimed design.

**1 Claim, 11 Drawing Sheets**



# US D629,816 S

Page 2

---

## U.S. PATENT DOCUMENTS

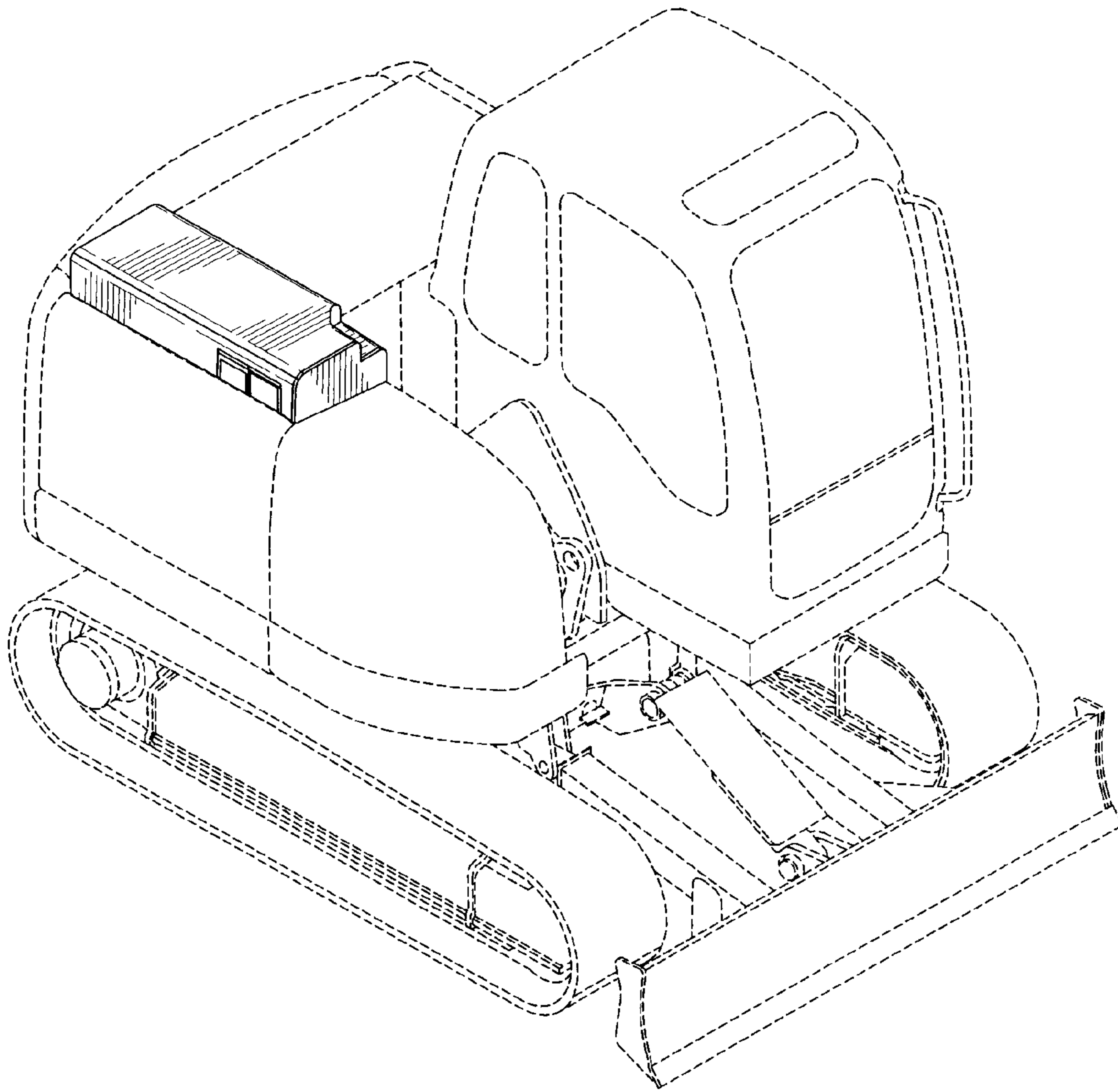
D575,804 S \* 8/2008 Murakami et al. .... D15/28  
D590,845 S \* 4/2009 Ochi et al. .... D15/22  
D591,773 S \* 5/2009 Ueta et al. .... D15/22  
D593,137 S \* 5/2009 Ueta et al. .... D15/28  
D594,884 S \* 6/2009 Murakami et al. .... D15/28  
D609,252 S \* 2/2010 Shimada et al. .... D15/25

2004/0084934 A1\* 5/2004 Yokoo et al. .... 296/190.01

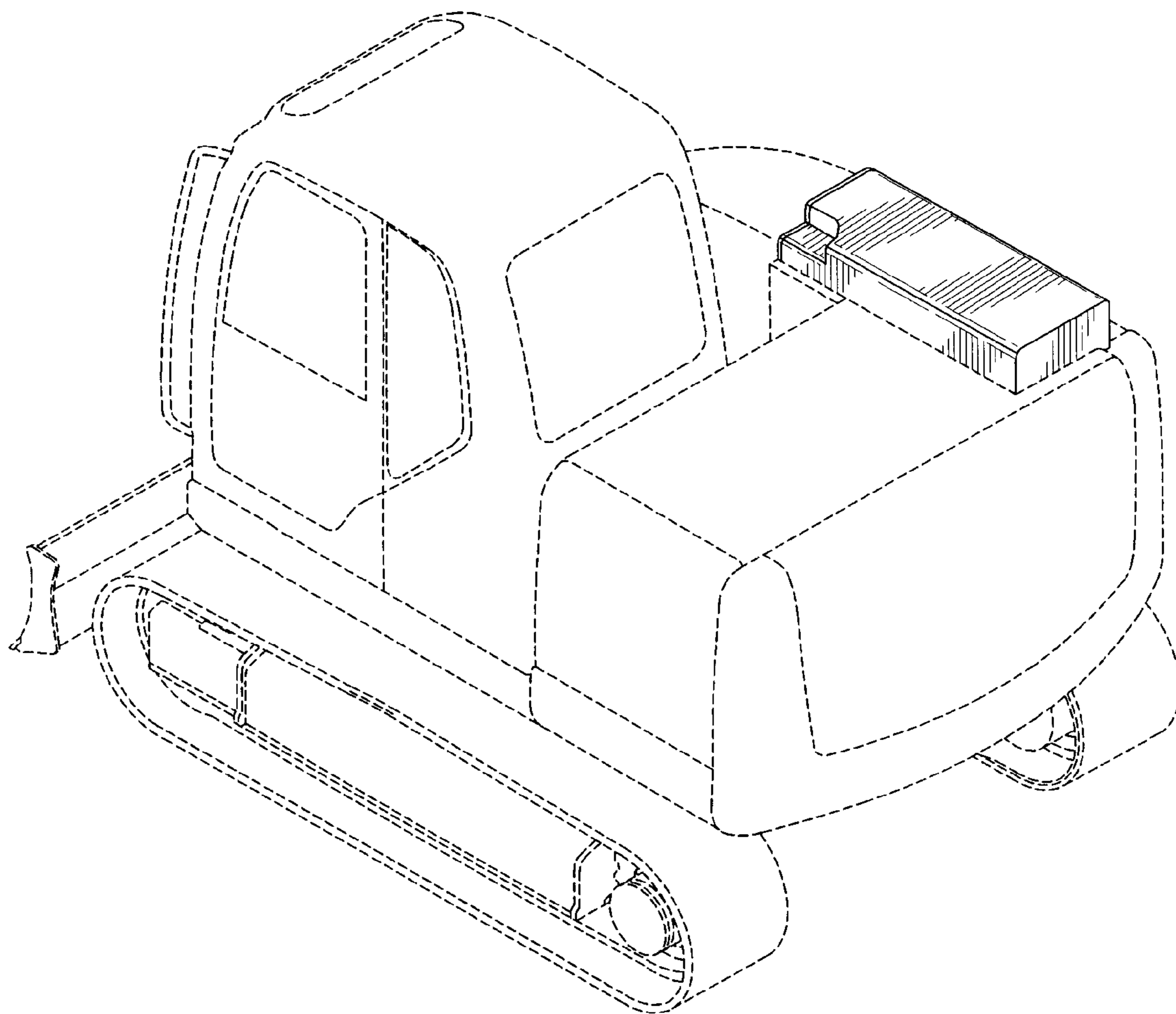
## OTHER PUBLICATIONS

U.S. Appl. No. 29/357,035, filed Mar. 5, 2010, Nishimura et al.  
U.S. Appl. No. 29/357,154, filed Mar. 8, 2010, Nishimura et al.

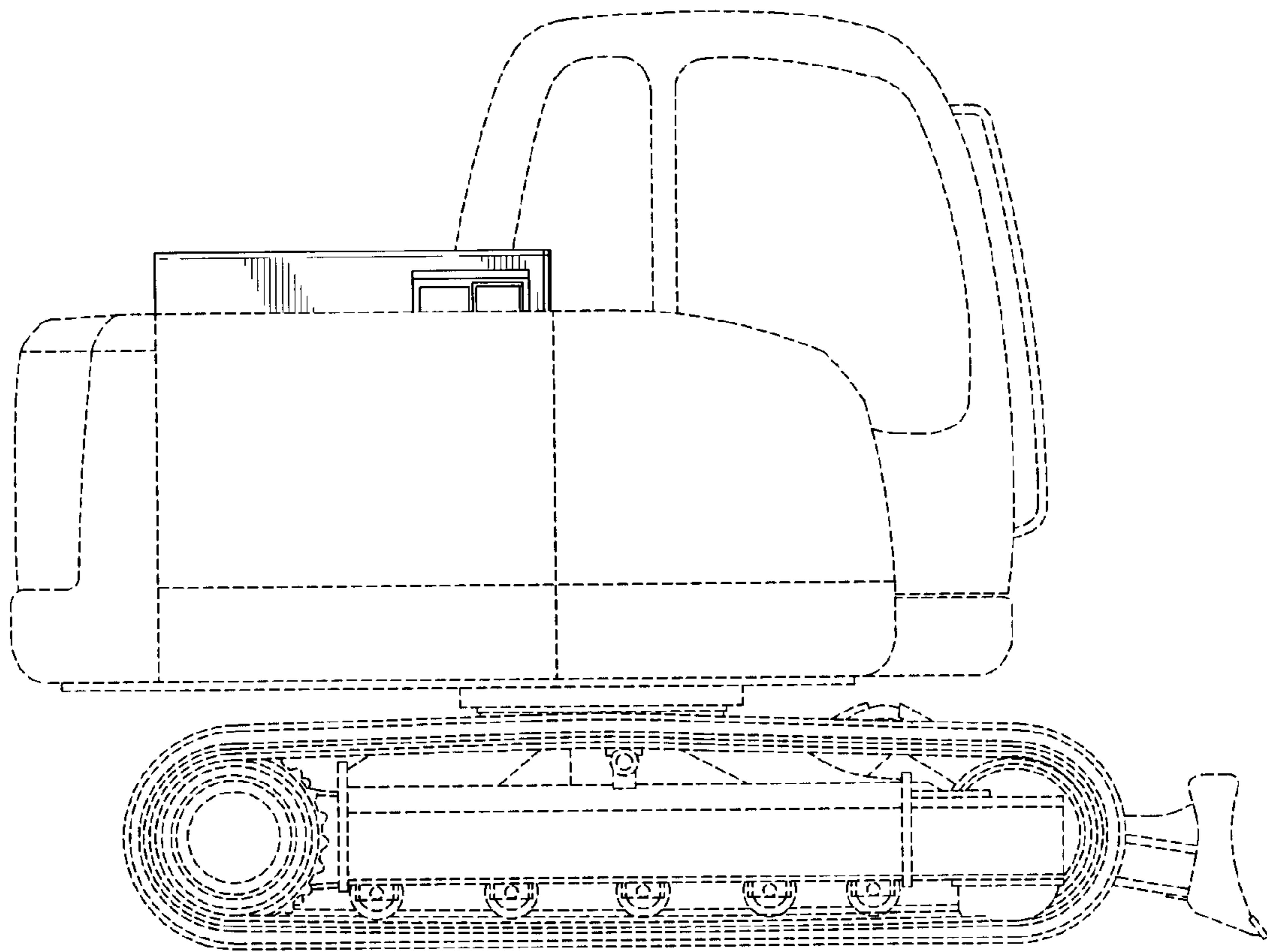
\* cited by examiner



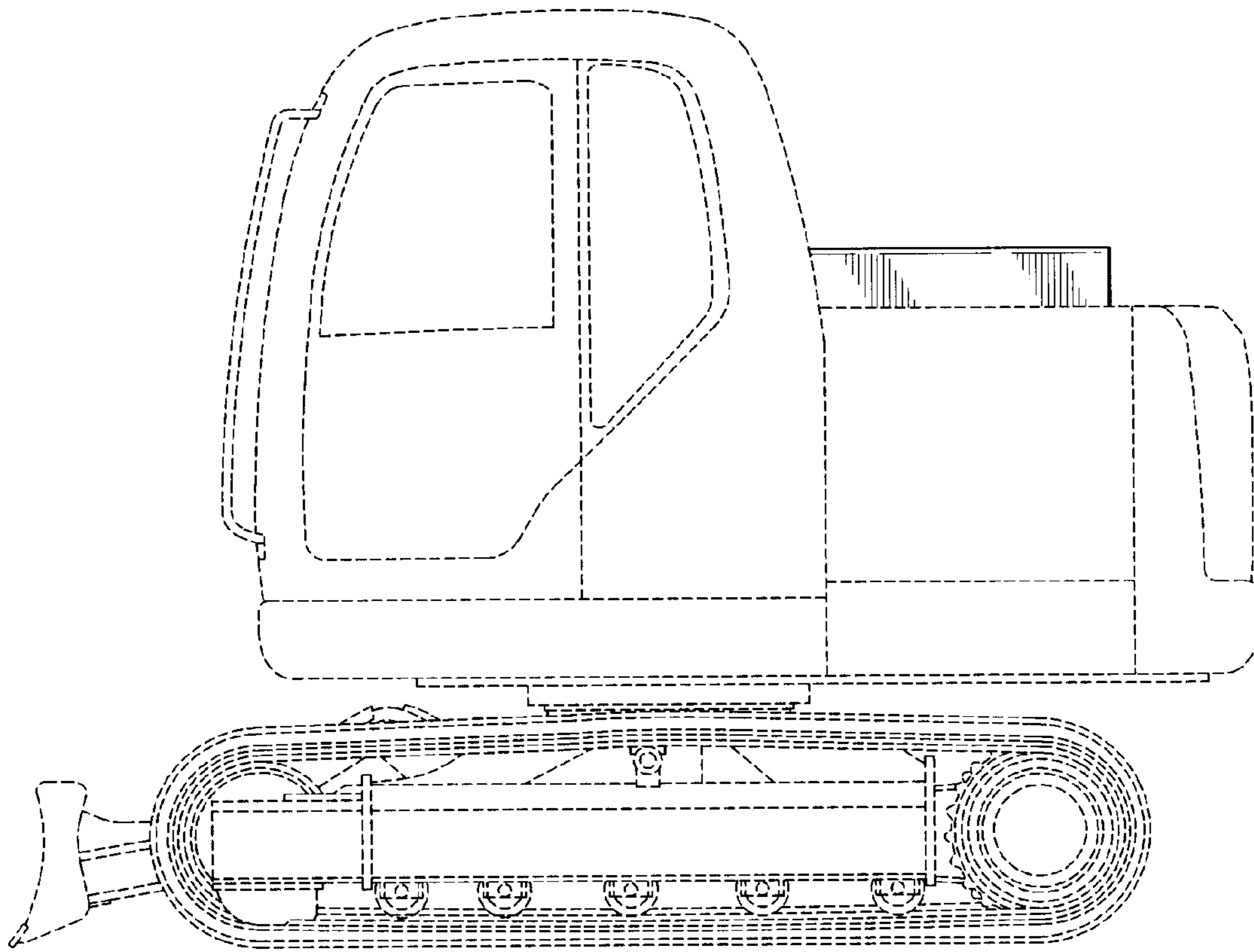
***Fig. 1***



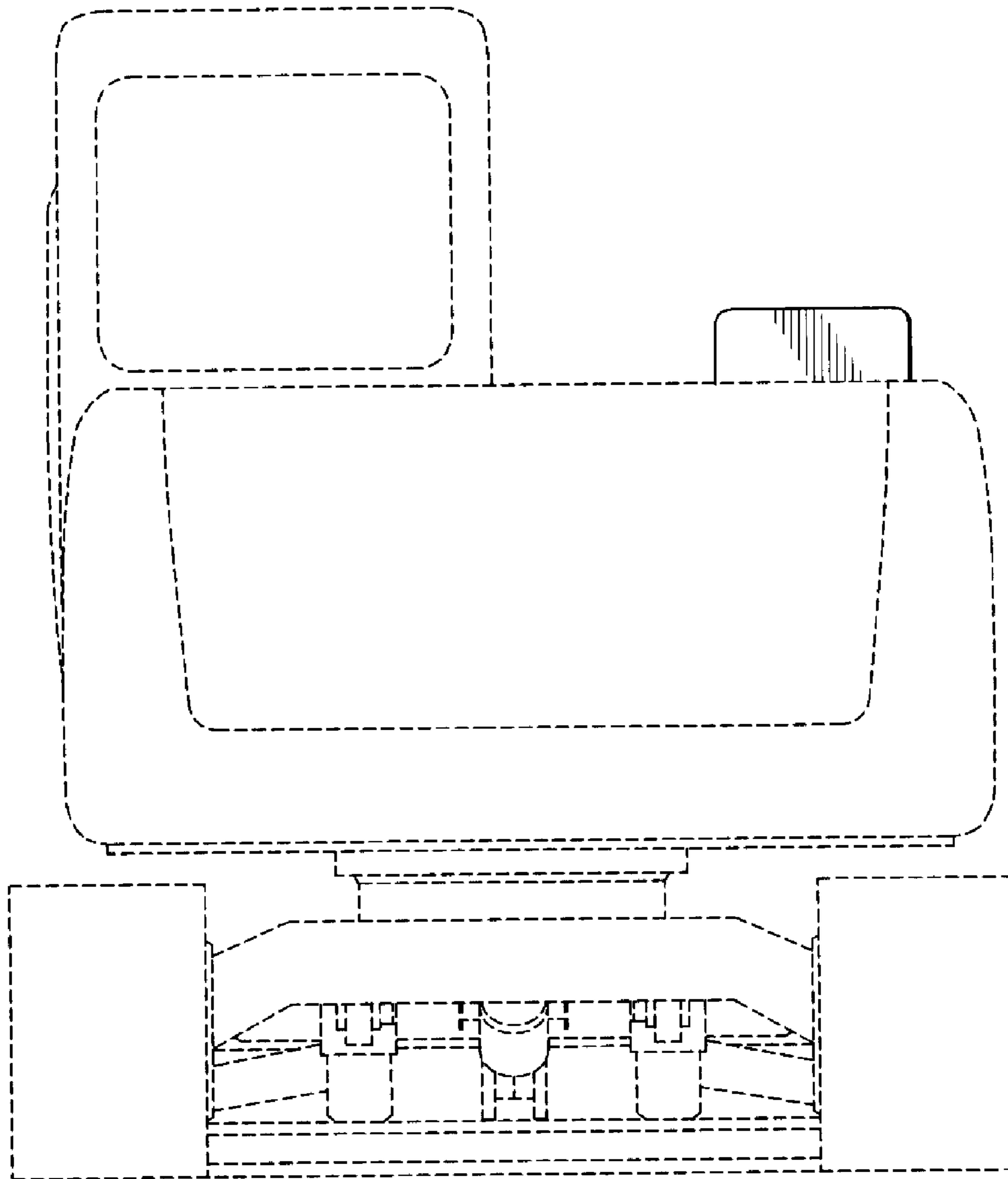
***Fig. 2***



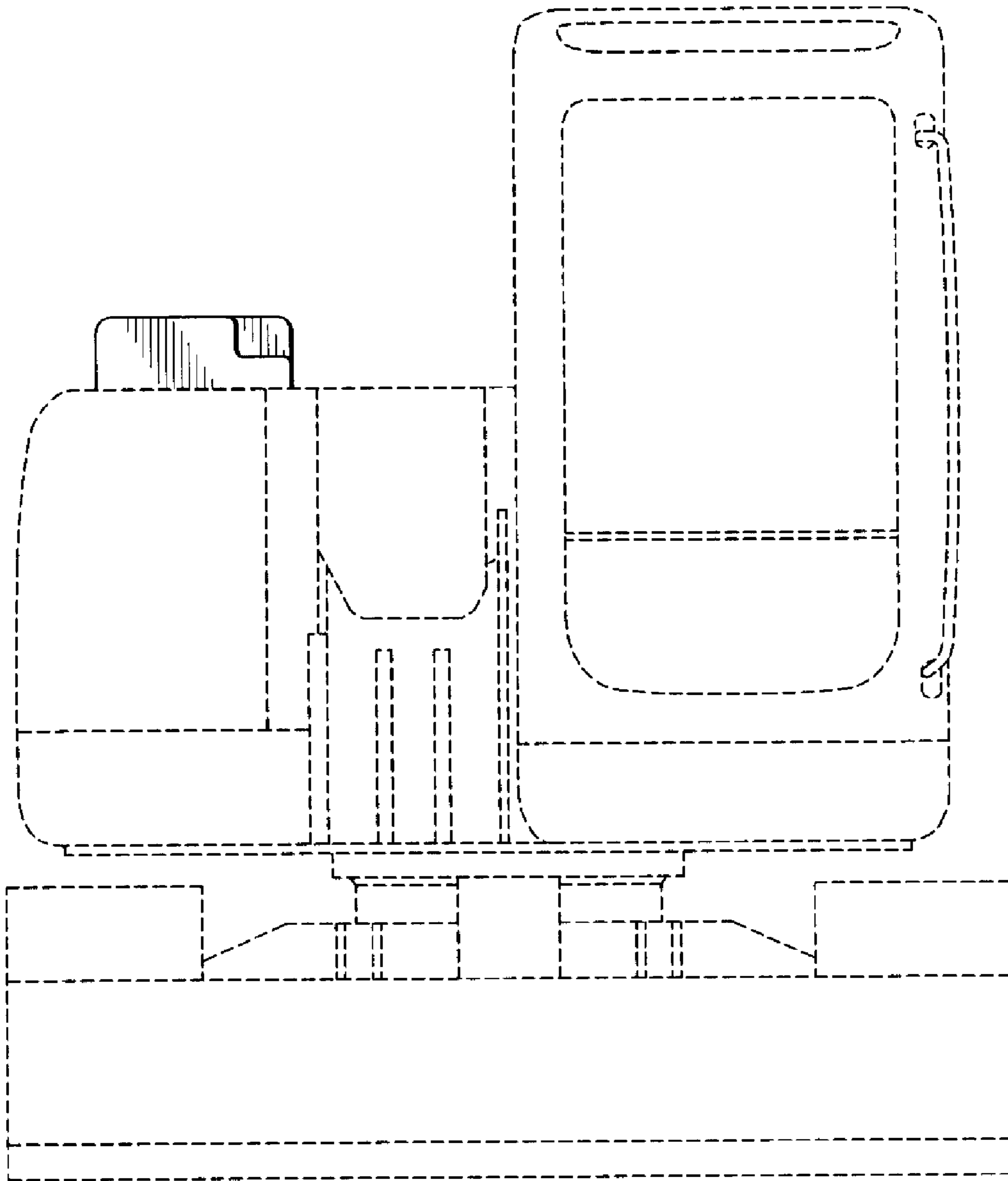
*Fig. 3*



***Fig. 4***

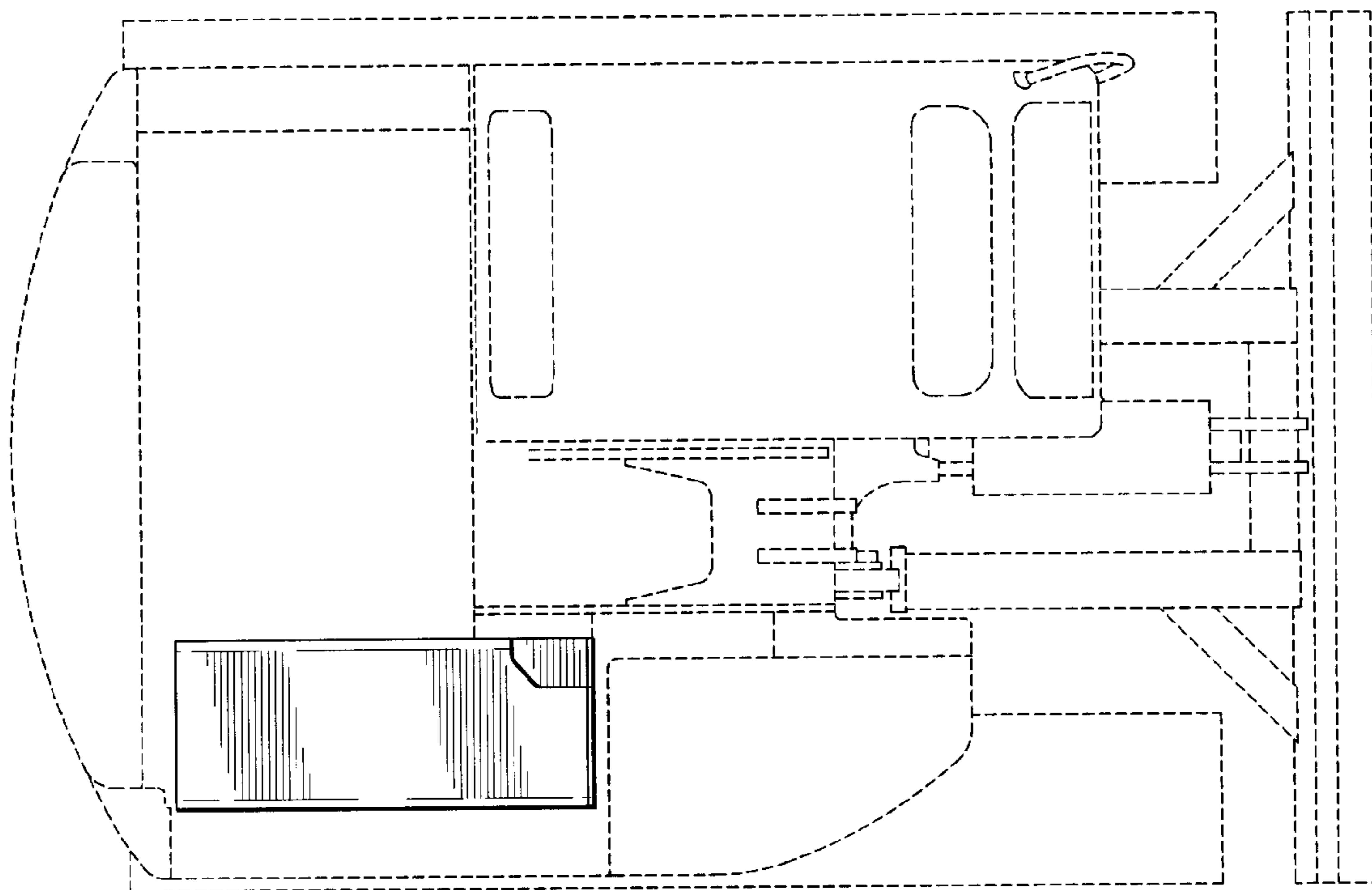


***Fig. 5***

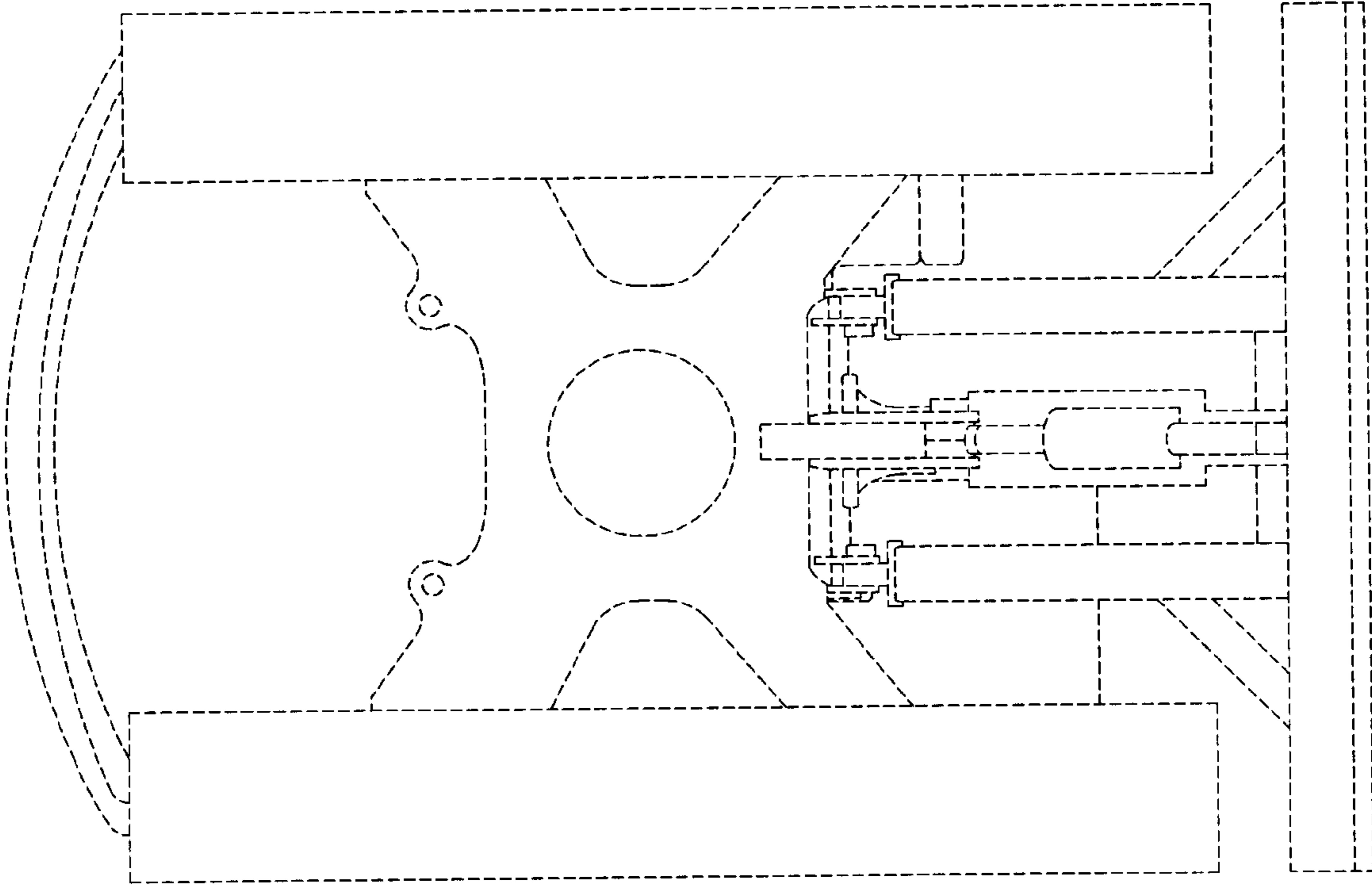


***Fig. 6***

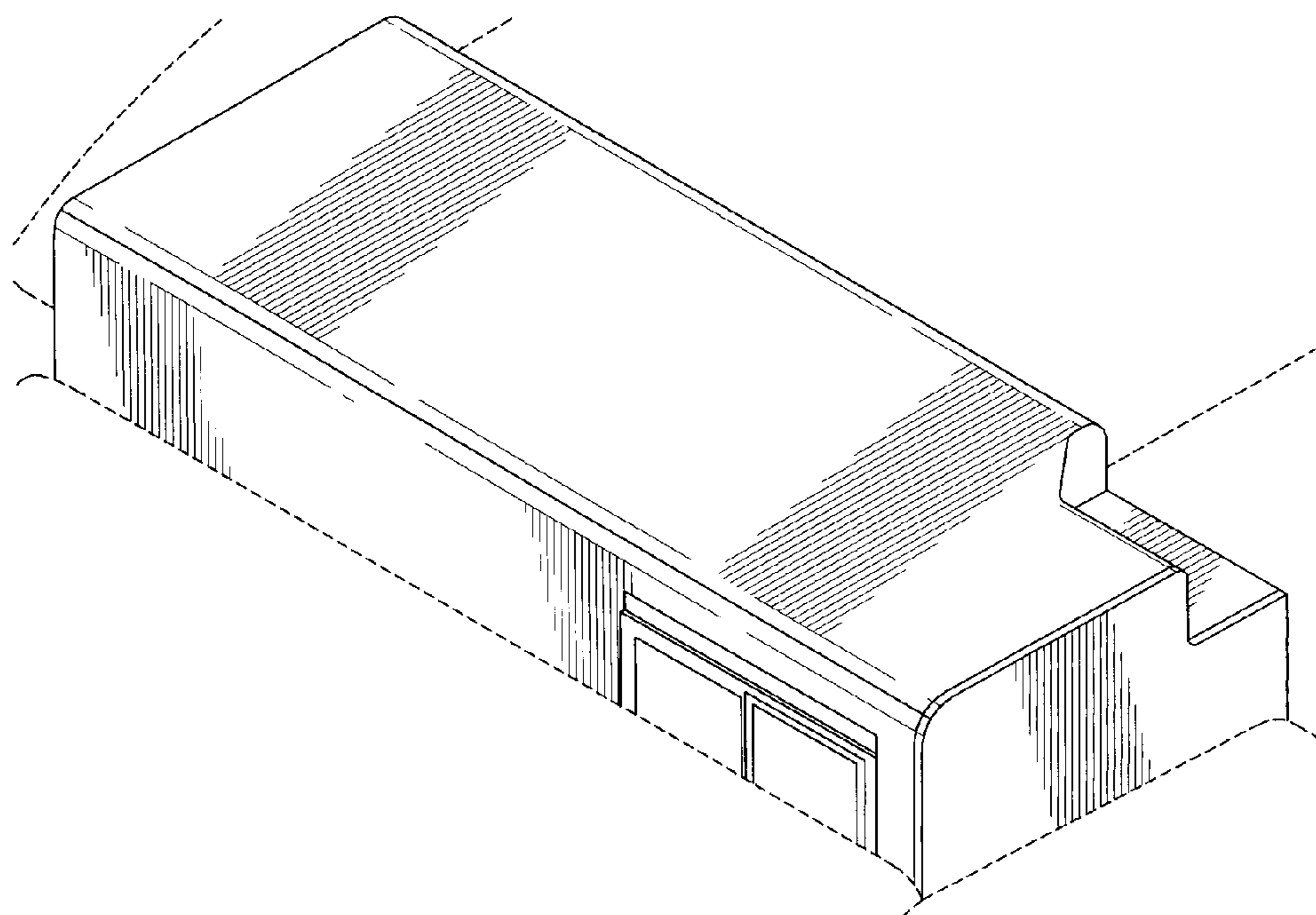




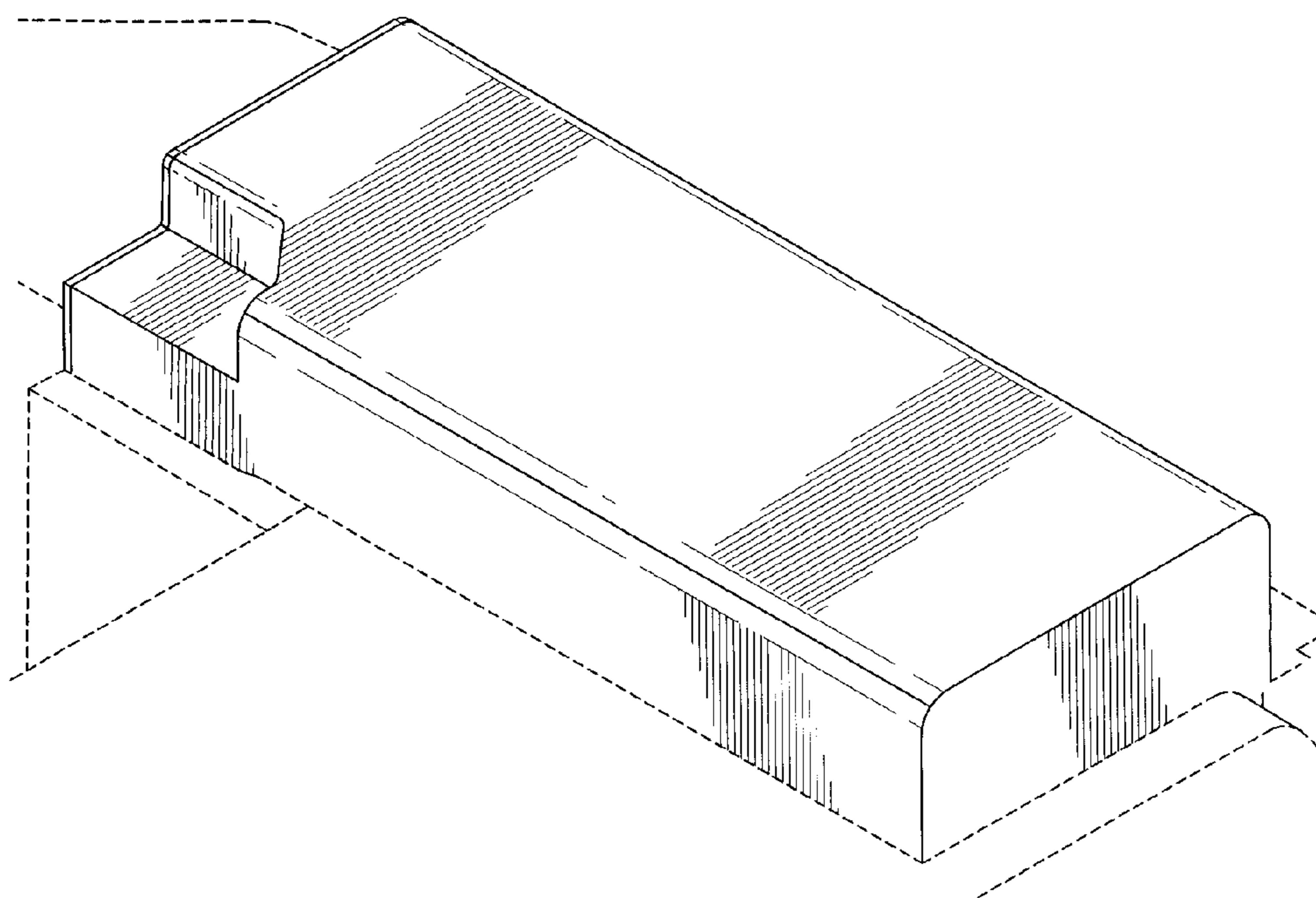
*Fig. 7*



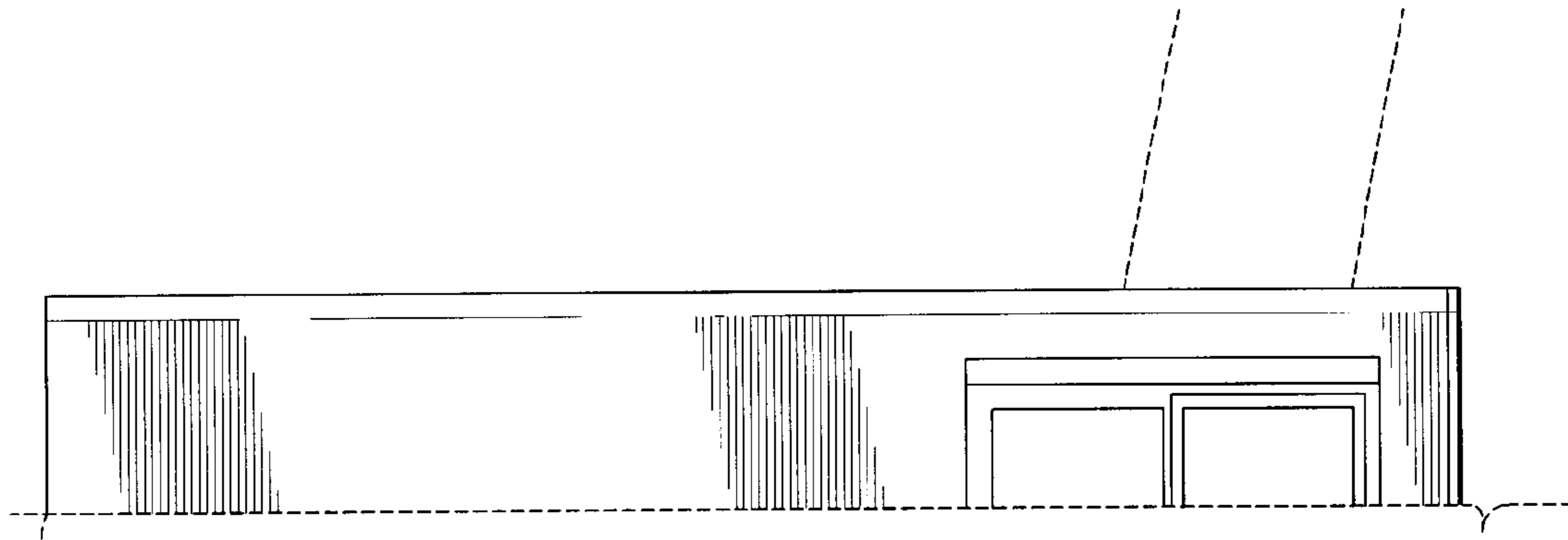
*Fig. 8*



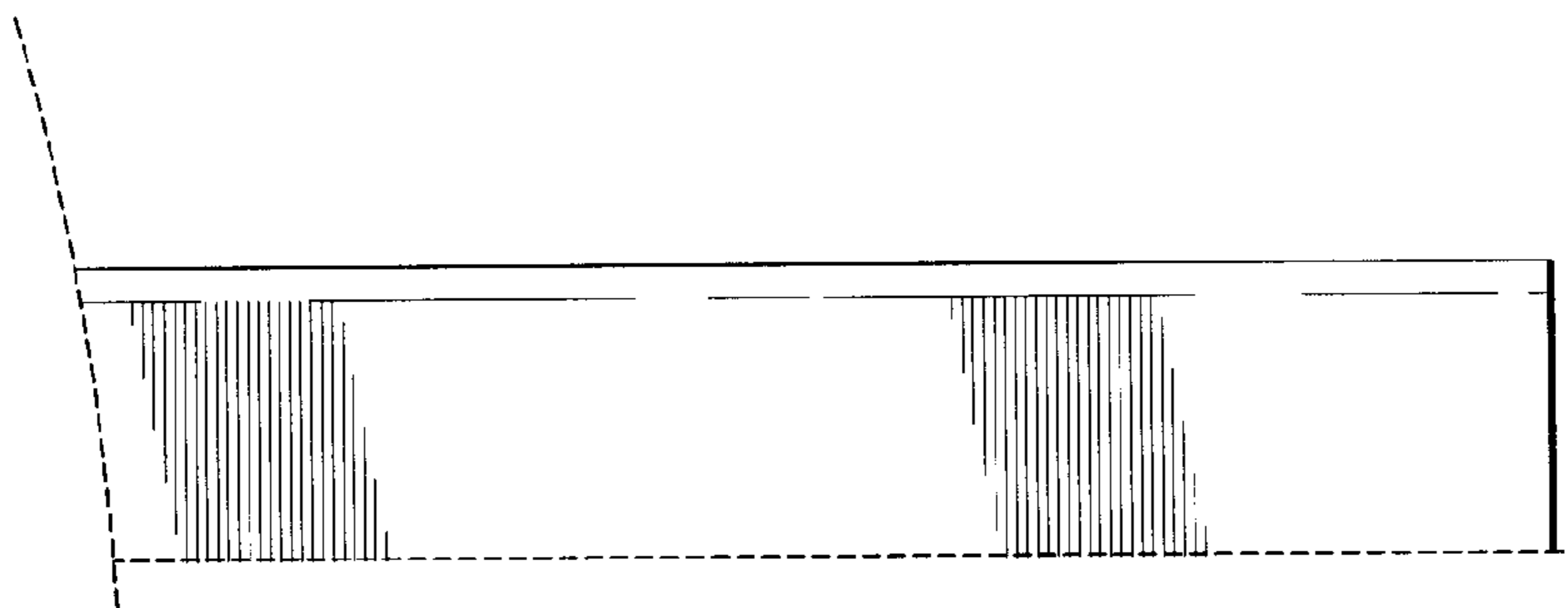
*Fig. 9*



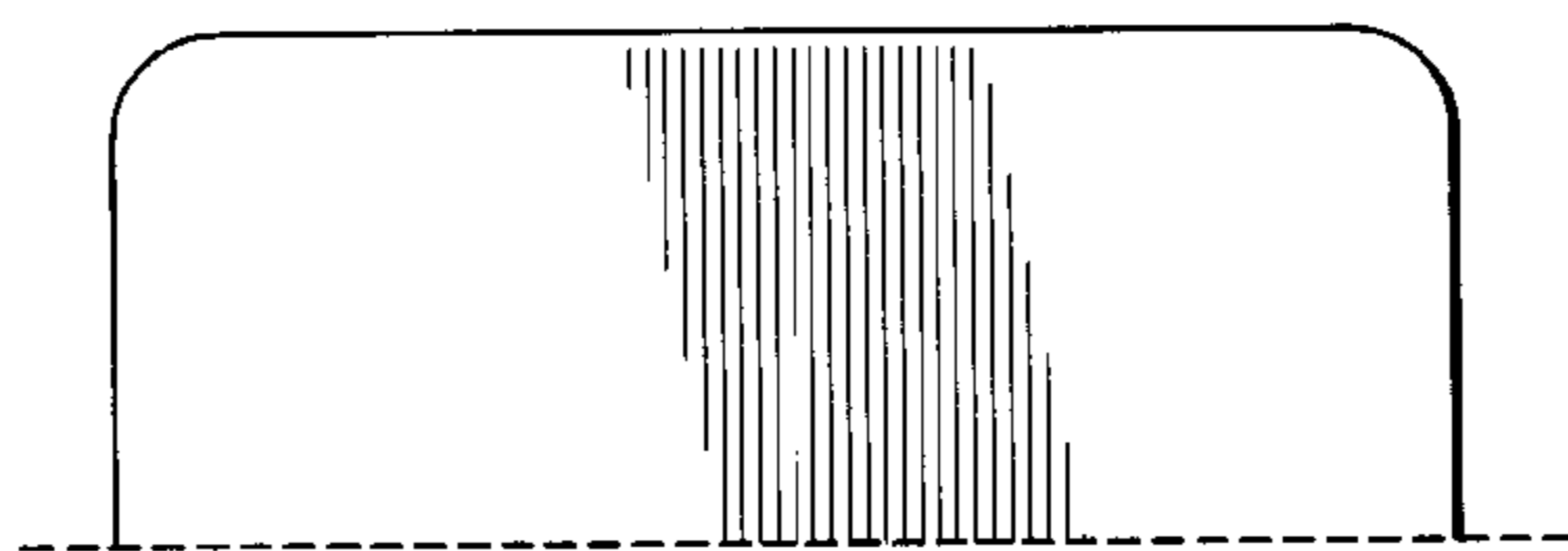
*Fig. 10*



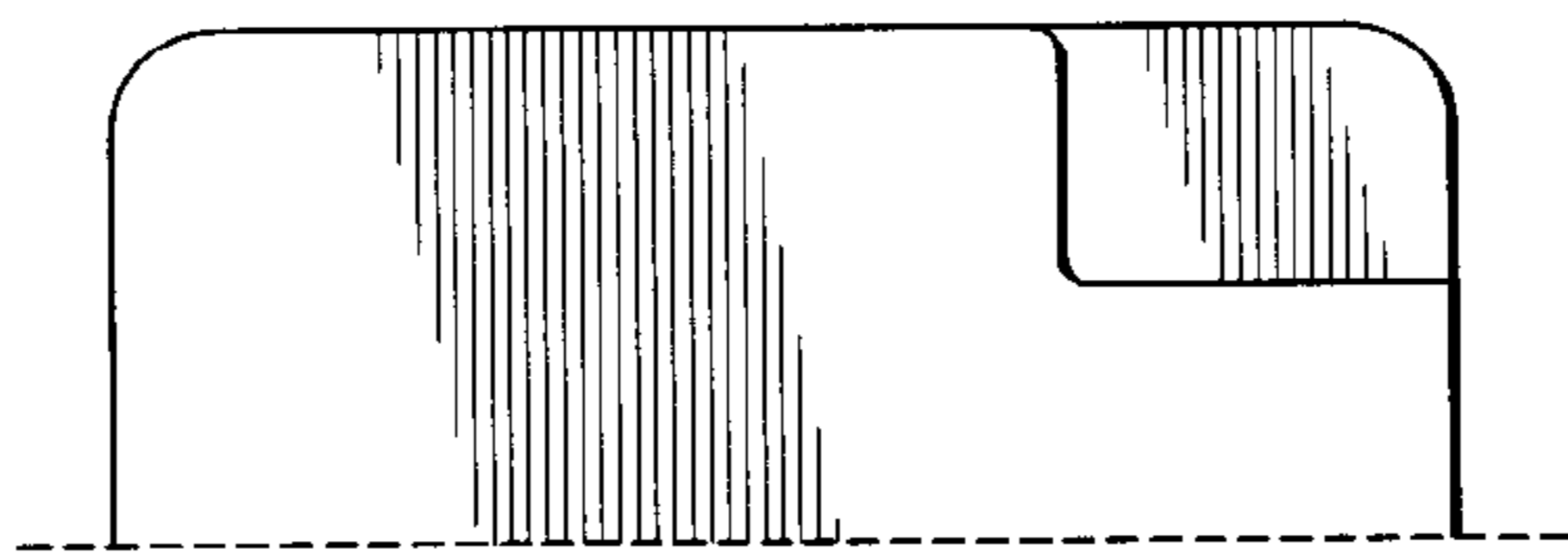
*Fig. 11*



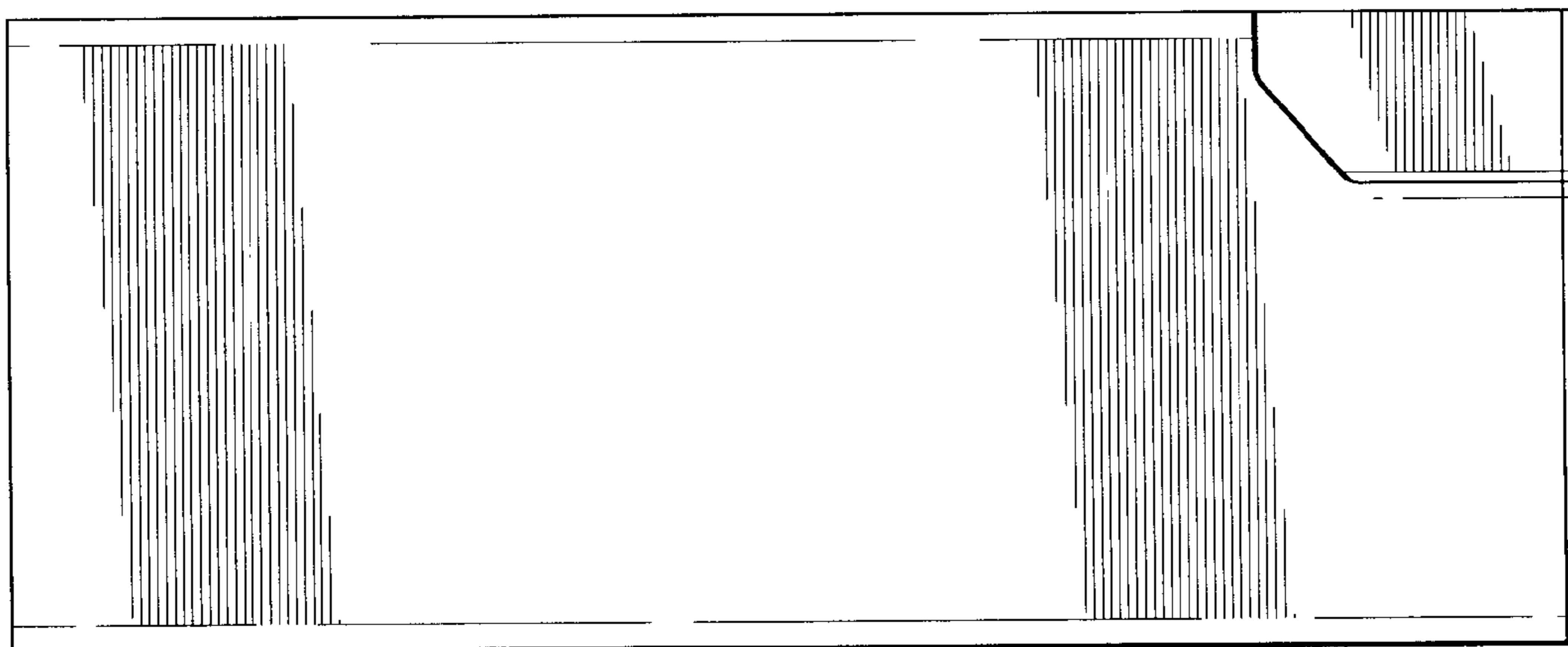
*Fig. 12*



*Fig. 13*



*Fig. 14*



*Fig. 15*