



US00D629809S

(12) **United States Design Patent**
Weary et al.

(10) **Patent No.:** **US D629,809 S**

(45) **Date of Patent:** **** *Dec. 28, 2010**

(54) **USER INTERFACE FOR A COMPUTER DISPLAY**

(75) Inventors: **Mickelle Weary**, Kirkland, WA (US); **Rebecca M. Lewis**, Tacoma, WA (US); **Laura Koch**, Seattle, WA (US); **Jennifer A. Seery**, Renton, WA (US); **Catherine Twomey Fosnot**, New London, CT (US); **Aja M. Hammerly**, Seattle, WA (US); **Neil Smith**, Redmond, WA (US); **Nigel J. Green**, Bellevue, WA (US); **Roy Leban**, Redmond, WA (US); **Slavi Marinov Marinov**, Varna (BG); **Valentin Mihov**, Sofia (BG); **Christopher M. Franklin**, Bellevue, WA (US); **Christopher Cook**, Seattle, WA (US); **Nathan Brutzman**, Seattle, WA (US); **Lou Gray**, Bellevue, WA (US); **Benjamin W. Slivka**, Clyde Hill, WA (US); **Lorenzo Pasqualis**, Carnation, WA (US); **Daniel R. Kerns**, Mercer Island, WA (US); **Tami Caryl Borowick**, Issaquah, WA (US); **Clifton S. Swiggett**, Seattle, WA (US); **Ken Cursoe**, Seattle, WA (US); **Ronald A. Kornfeld**, Seattle, WA (US); **Sarah Daniels**, Bellevue, WA (US)

(73) Assignee: **DreamBox Learning Inc.**, Bellevue, WA (US)

(*) Notice: This patent is subject to a terminal disclaimer.

(**) Term: **14 Years**

(21) Appl. No.: **29/331,294**

(22) Filed: **Jan. 22, 2009**

(51) **LOC (9) Cl.** **14-04**

(52) **U.S. Cl.** **D14/485**

(58) **Field of Classification Search** D14/218, D14/341-347, 387, 485-495; D18/1, 2, D18/4.4, 4.5, 6-12, 12.1-12.3, 24-33; D19/62, D19/6, 9, 10, 52; D21/512, 324-333; 235/58 R, 235/59 A, 59 BC, 59 BD, 59 BE, 59 BF, 235/59 BG, 59 BH, 59 CP, 59 T, 59 TP, 61 R; 434/203; 708/100, 105, 130; D20/11; 715/700-867, 715/973-977

See application file for complete search history.

(56) **References Cited**

U.S. PATENT DOCUMENTS

D9,303	S	*	5/1876	Kendall	D18/6
232,482	A	*	9/1880	Fitch	434/203
2,228,554	A	*	1/1941	Brown	434/203
2,457,332	A	*	12/1948	Wade et al.	434/203
2,655,737	A	*	10/1953	Don Dero	434/203
D184,042	S	*	12/1958	Dochterman et al.	D18/6
3,633,287	A	*	1/1972	Squires et al.	434/203
D248,332	S	*	6/1978	Bailey et al.	D18/6

(Continued)

Primary Examiner—Caron Veynar

Assistant Examiner—Garth Rademaker

(74) *Attorney, Agent, or Firm*—Hahn & Moodley LLP; Vani Moodley, Esq.

(57) **CLAIM**

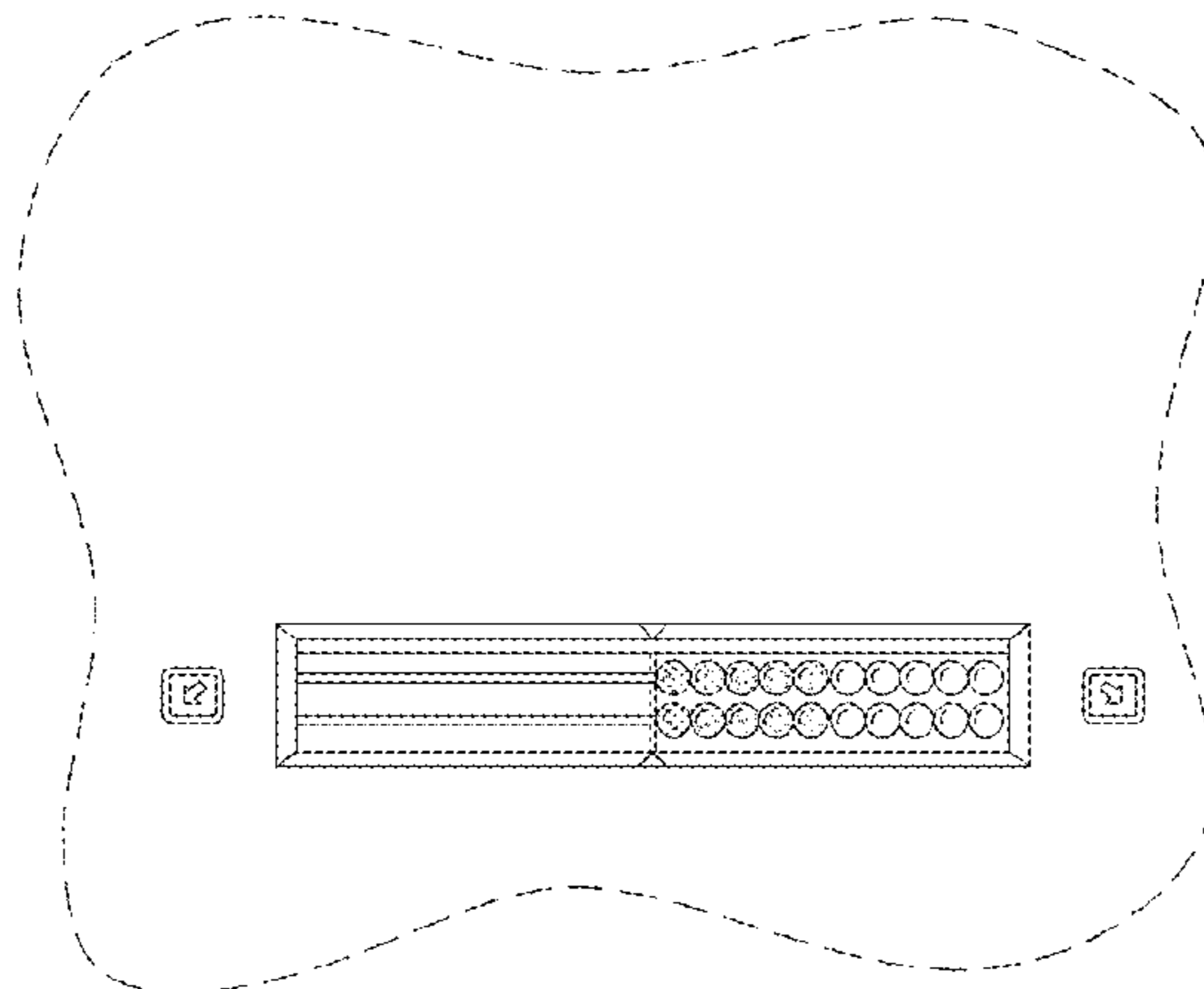
We claim the ornamental design for a user interface for a computer display, as shown and described.

DESCRIPTION

The sole drawing is a front view of a user interface for a computer display showing our new design.

The broken line drawing of a computer display is for illustrative purposes only and forms no part of the claimed design.

1 Claim, 1 Drawing Sheet



US D629,809 S

Page 2

U.S. PATENT DOCUMENTS

D284,975 S *	8/1986	Kwok	D18/2	D543,992 S *	6/2007	Vigesaa	D14/487
D344,102 S *	2/1994	Polak et al.	D20/11	D550,689 S *	9/2007	Vigesaa	D14/487
D424,543 S *	5/2000	Hodgson	D14/487	D558,271 S *	12/2007	Rule et al.	D19/62
D439,585 S *	3/2001	Law et al.	D14/487	D582,426 S *	12/2008	Chen et al.	D14/488
D529,551 S *	10/2006	Rule	D19/62	D593,110 S *	5/2009	Danton	D14/485
D543,991 S *	6/2007	Vigesaa	D14/487	D599,373 S *	9/2009	Kobayashi et al.	D14/486

* cited by examiner

