

US00D629805S

(12) **United States Design Patent**
Nysen et al.

(10) **Patent No.:** **US D629,805 S**
(45) **Date of Patent:** **** Dec. 28, 2010**

(54) **USB ADAPTOR**

(75) Inventors: **Paul A. Nysen**, Bonsall, CA (US);
William A. Gilbert, Carlsbad, CA (US);
Mahsa Nakhjiri, San Diego, CA (US);
Christopher V. Fonzo, Carlsbad, CA
(US)

(73) Assignee: **Sierra Wireless, Inc.**, Richmond, British
Columbia (CA)

(**) Term: **14 Years**

(21) Appl. No.: **29/346,732**

(22) Filed: **Nov. 5, 2009**

(30) **Foreign Application Priority Data**

May 5, 2009 (CA) 130672

(51) **LOC (9) Cl.** **14-02**

(52) **U.S. Cl.** **D14/433; D14/480.6; D13/147**

(58) **Field of Classification Search** D14/432-435,
D14/435.1, 436-439, 356-358, 480.1-480.7,
D14/483, 484.1, 240; D13/107, 108, 110,
D13/118, 123, 133, 147, 154; 439/131, 500,
439/501, 445, 446, 296, 284, 286, 288; 361/679.4,
361/679.41, 679.44

See application file for complete search history.

(56) **References Cited**

U.S. PATENT DOCUMENTS

D416,869 S * 11/1999 Tsai D13/153
6,213,782 B1 * 4/2001 Derstine 439/31
D444,788 S * 7/2001 Do et al. D14/433
D484,094 S * 12/2003 Xiao D14/435.1
6,804,749 B2 * 10/2004 Chien et al. 711/115
D527,734 S * 9/2006 Lee et al. D14/480.5
7,113,812 B2 * 9/2006 Li 455/575.1
D531,125 S * 10/2006 Wang et al. D13/147
7,121,852 B2 * 10/2006 Ng et al. 439/131

D531,579 S * 11/2006 Peng et al. D13/147
7,172,428 B2 * 2/2007 Huang 439/11
7,234,963 B1 * 6/2007 Huang 439/446
D549,660 S * 8/2007 Zenri et al. D13/147
7,255,582 B1 * 8/2007 Liao 439/165
7,288,006 B2 * 10/2007 Su et al. 439/638
D563,954 S * 3/2008 Buchanon D14/356

(Continued)

Primary Examiner—Cathron C Brooks

Assistant Examiner—Deanna Fluegeman

(74) *Attorney, Agent, or Firm*—Pillsbury Winthrop Shaw
Pittman LLP

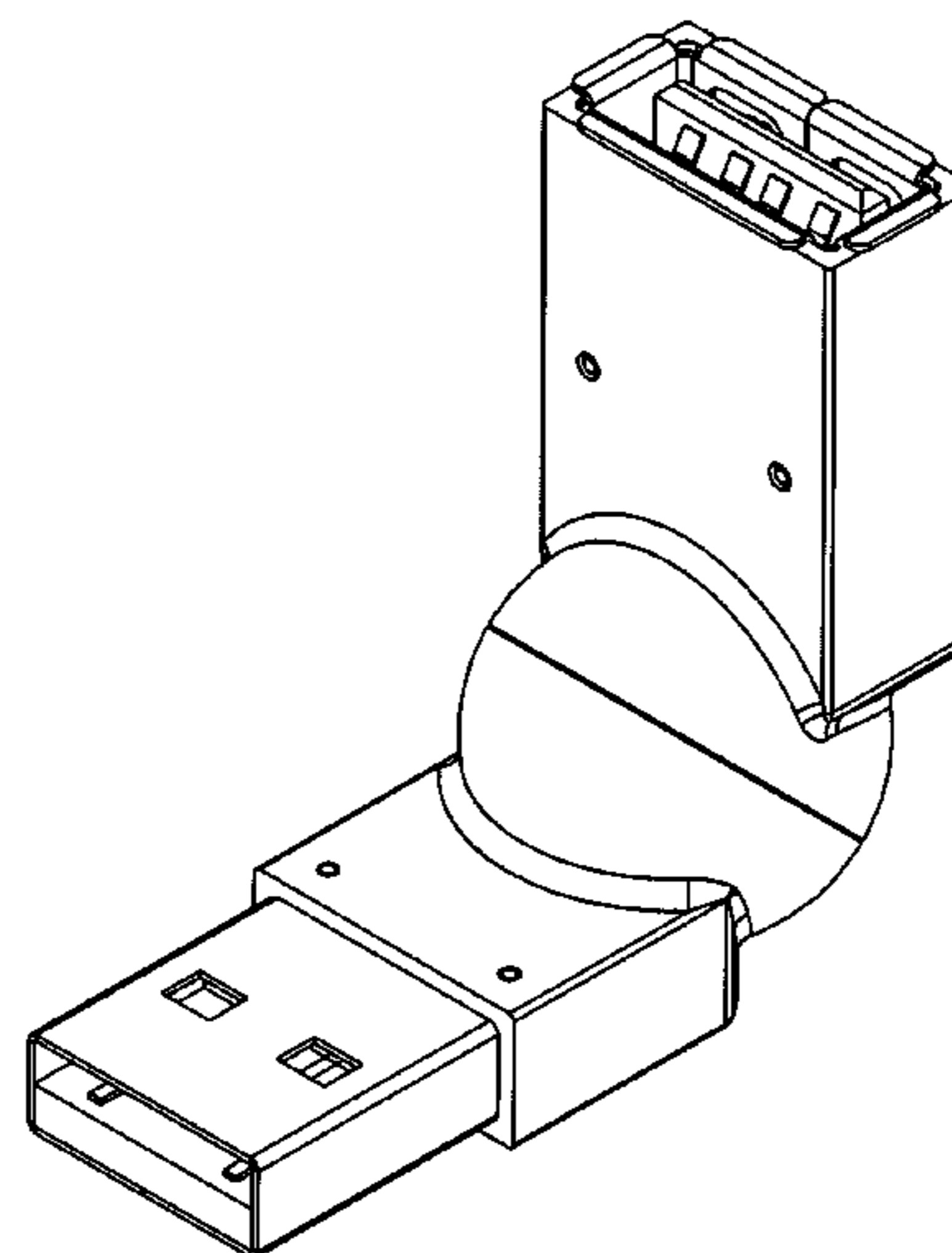
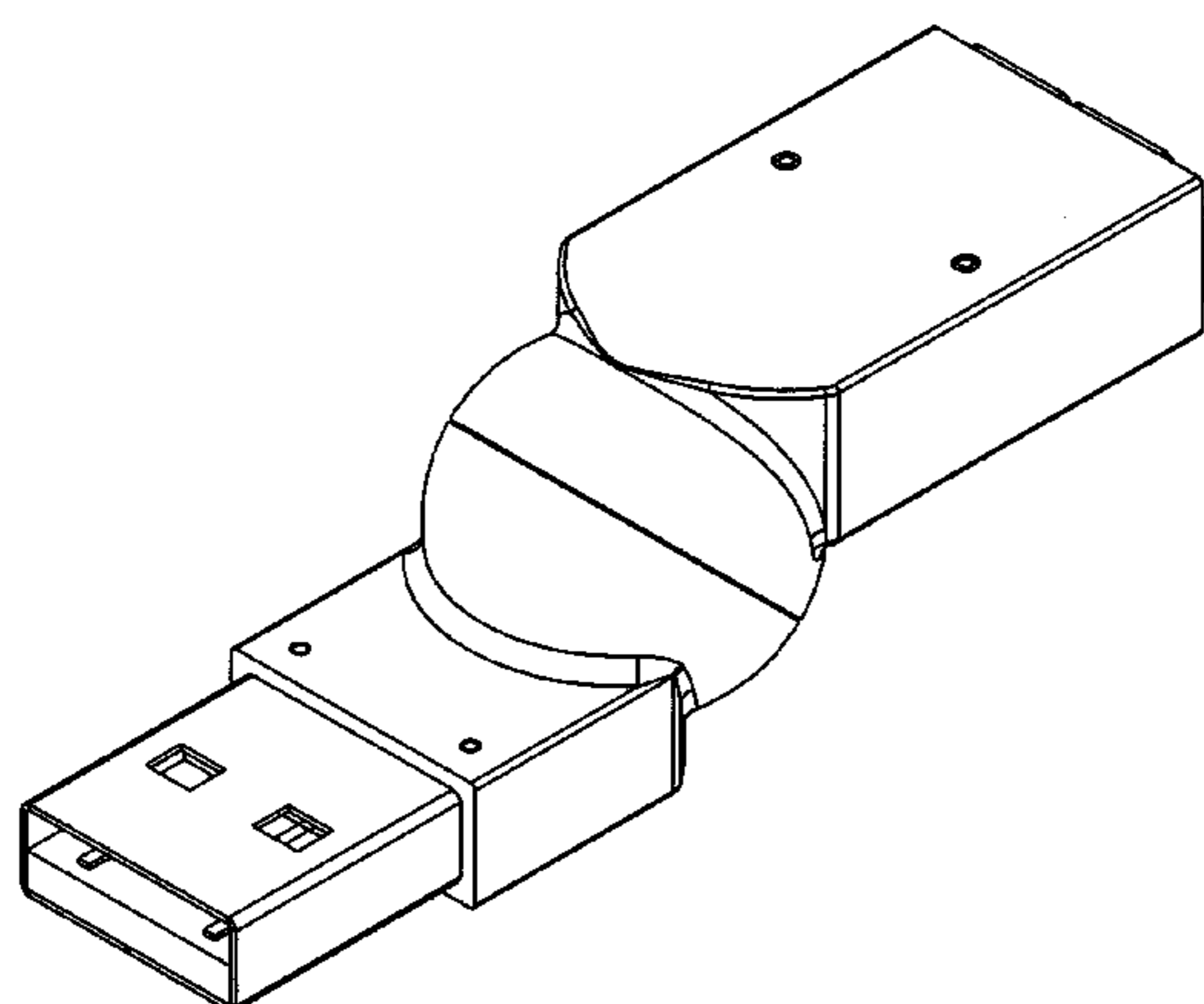
(57) **CLAIM**

The ornamental design for a USB adaptor, as shown and
described.

DESCRIPTION

FIG. 1 is a perspective view of the USB adaptor;
FIG. 2 is another perspective view of the USB adaptor;
FIG. 3 is a front view of the USB adaptor;
FIG. 4 is a rear view of the USB adaptor;
FIG. 5 is a left side view of the USB adaptor;
FIG. 6 is a right side view of the USB adaptor;
FIG. 7 is a top view of the USB adaptor;
FIG. 8 is a bottom view of the USB adaptor;
FIG. 9 is a perspective view of the USB adaptor shown in an
alternate position of use; and,
FIG. 10 is another perspective view of the alternate position
of use shown in FIG. 9.

1 Claim, 9 Drawing Sheets



US D629,805 S

Page 2

U.S. PATENT DOCUMENTS

D574,772 S *	8/2008	Sutter	D13/133	D601,093 S *	9/2009	Wu et al.	D13/147
D588,545 S *	3/2009	Andre et al.	D13/154	D602,939 S *	10/2009	Andre	D14/480.1
D589,888 S *	4/2009	Wu et al.	D13/147	D606,077 S *	12/2009	Hu et al.	D14/480.1
D595,223 S *	6/2009	Yamamoto et al.	D13/108	D612,384 S *	3/2010	Kim et al.	D14/435.1
					7,744,423 B2 *	6/2010	Funahashi	439/638

* cited by examiner

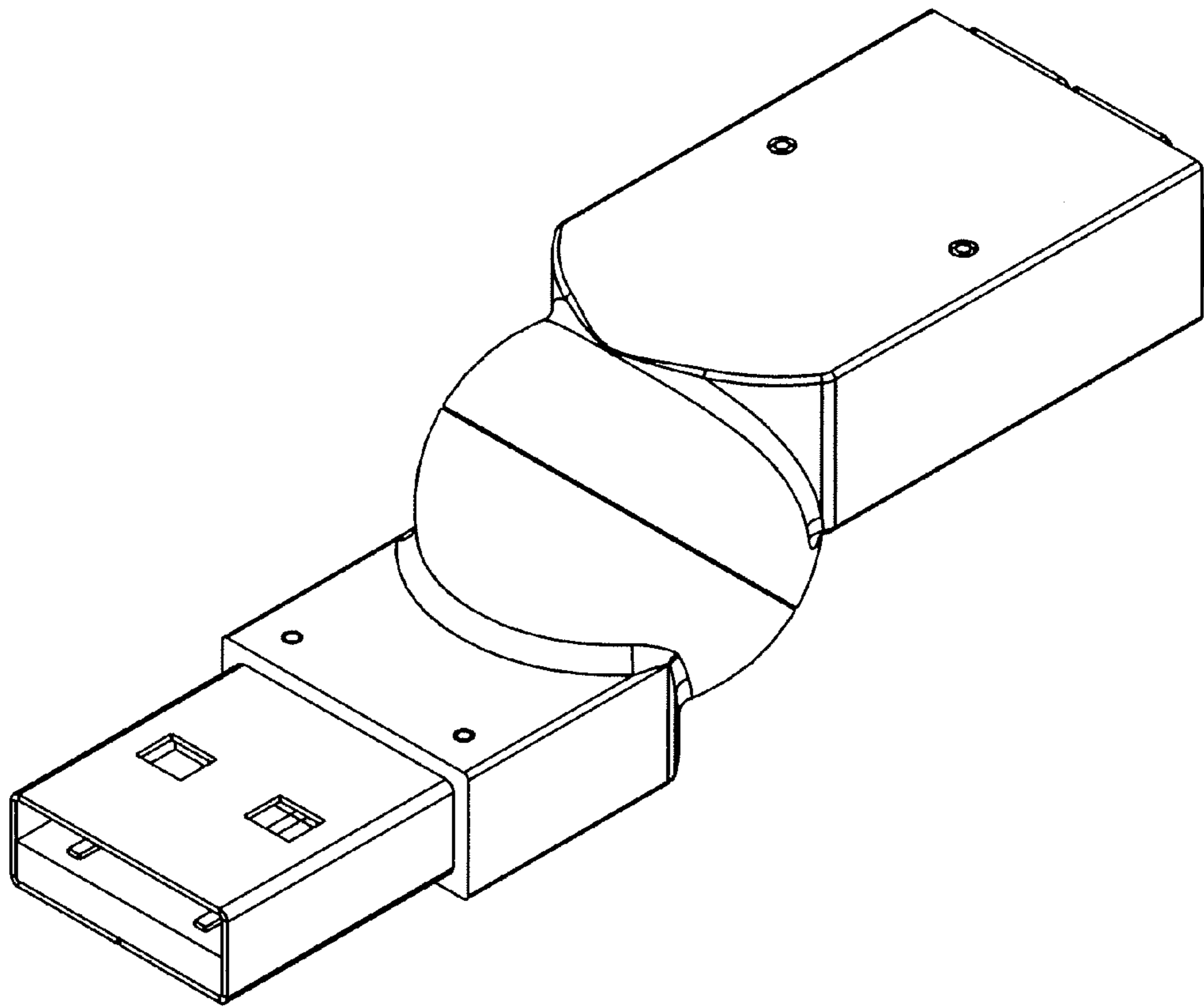


FIG. 1

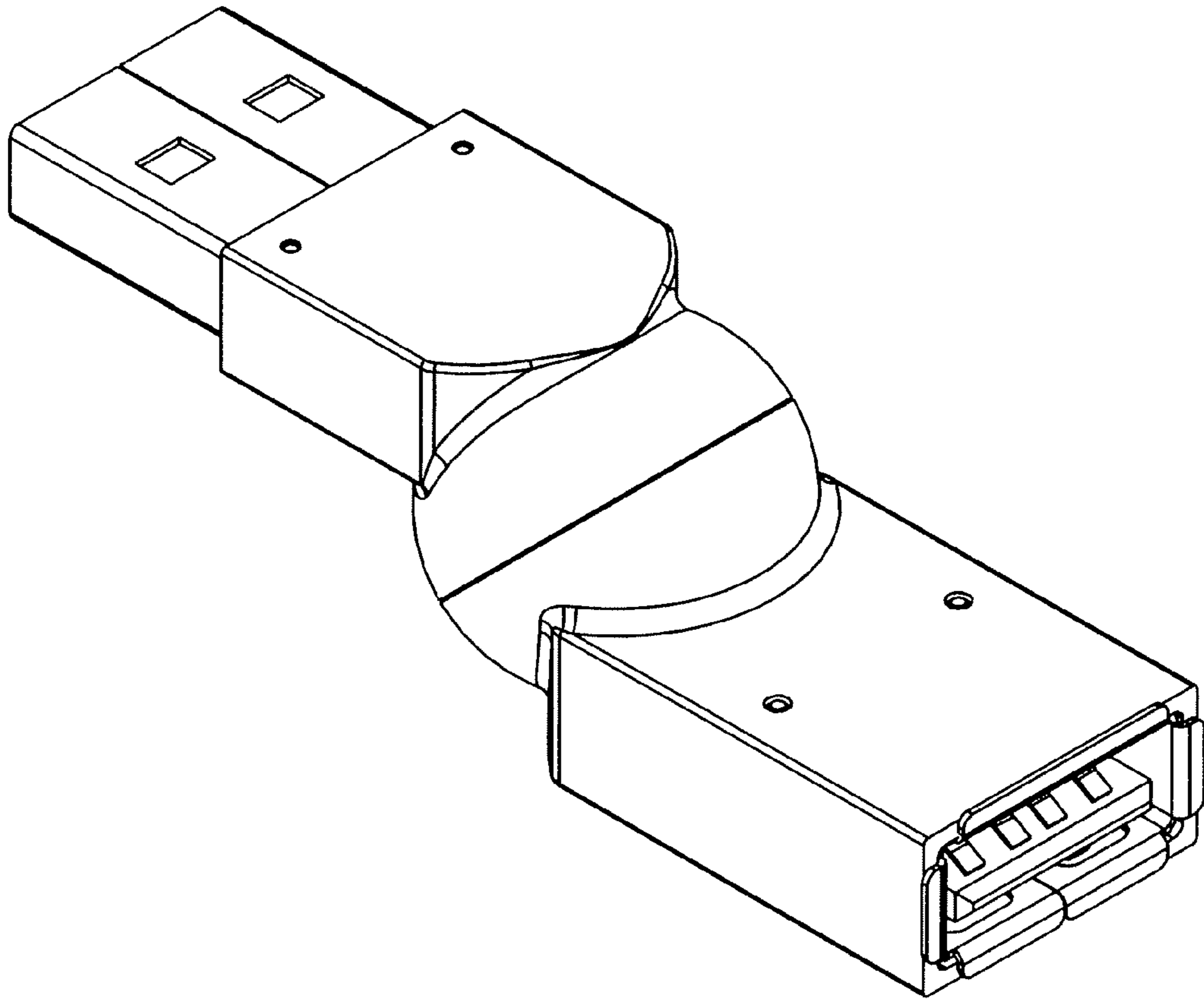


FIG. 2

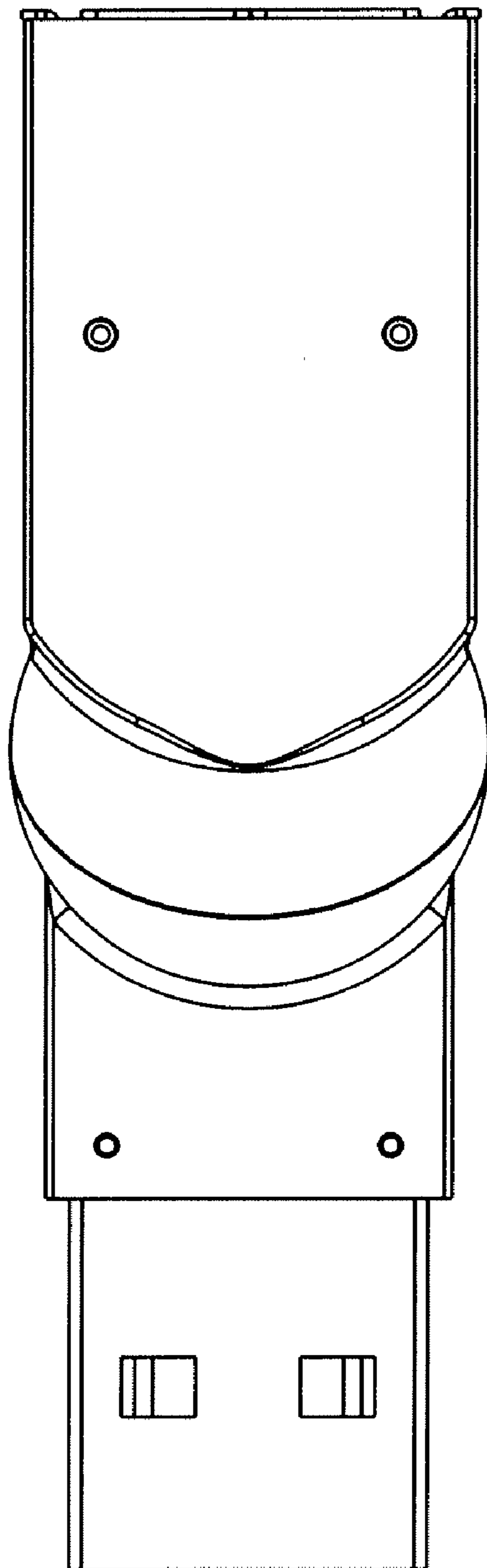


FIG. 3

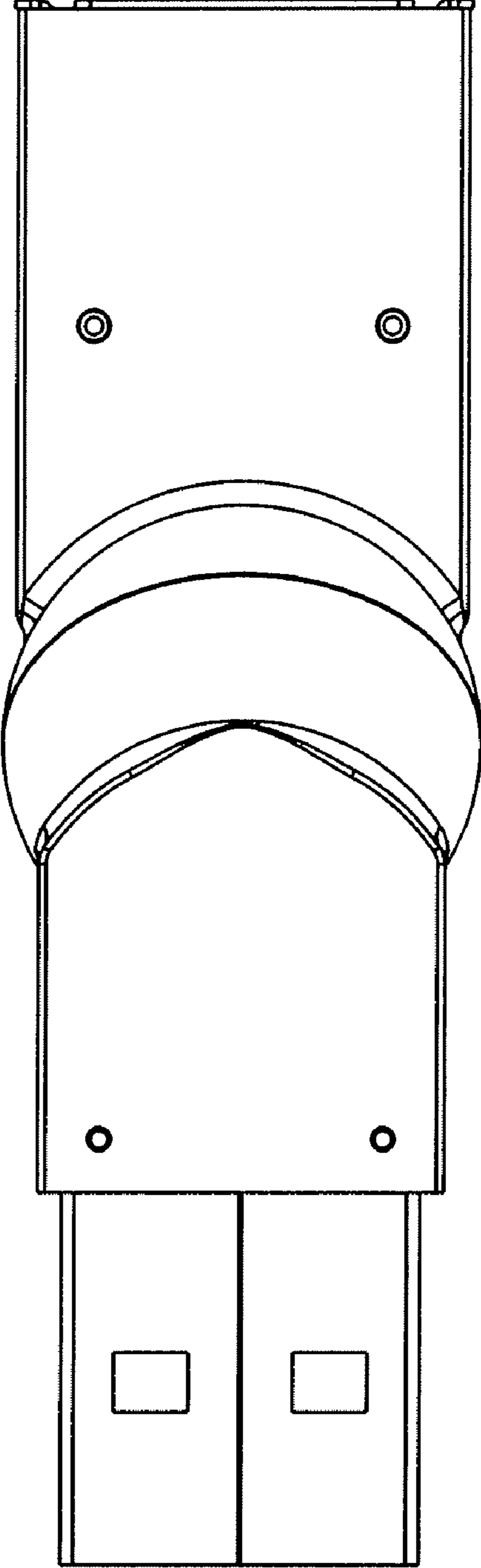


FIG. 4

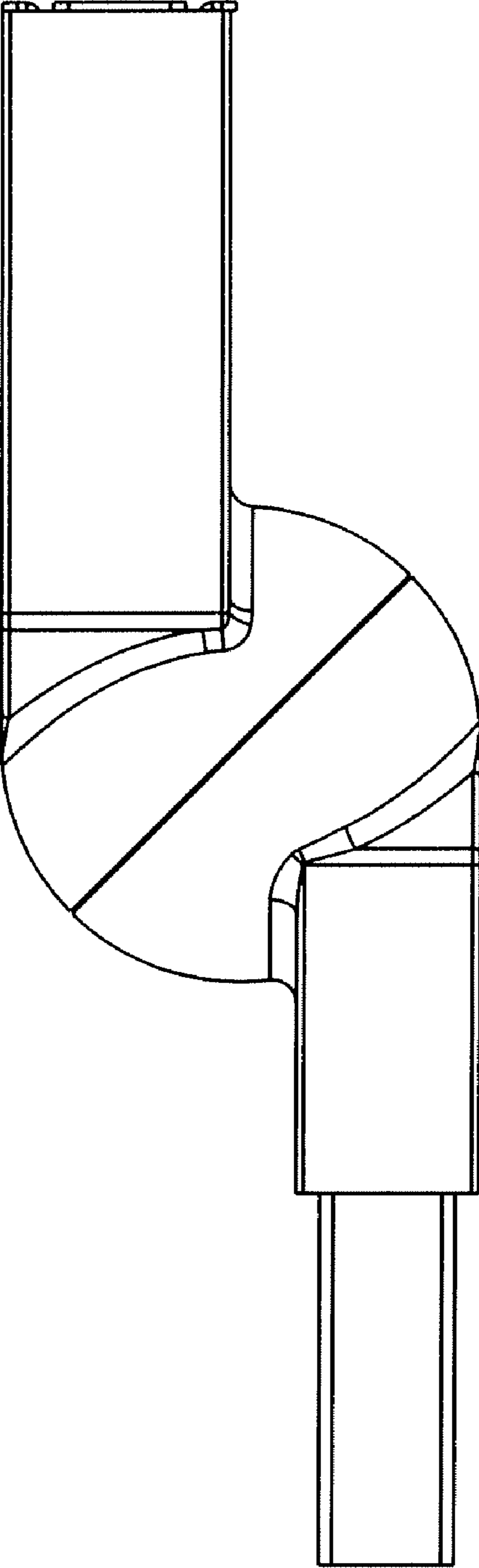


FIG. 5

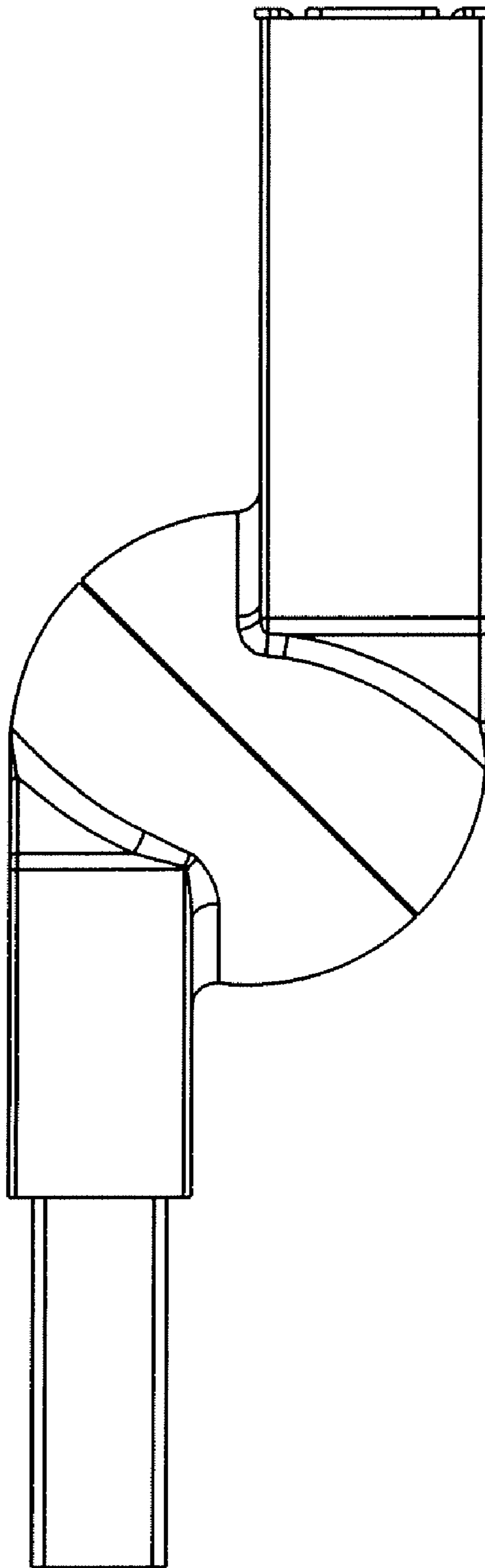


FIG. 6

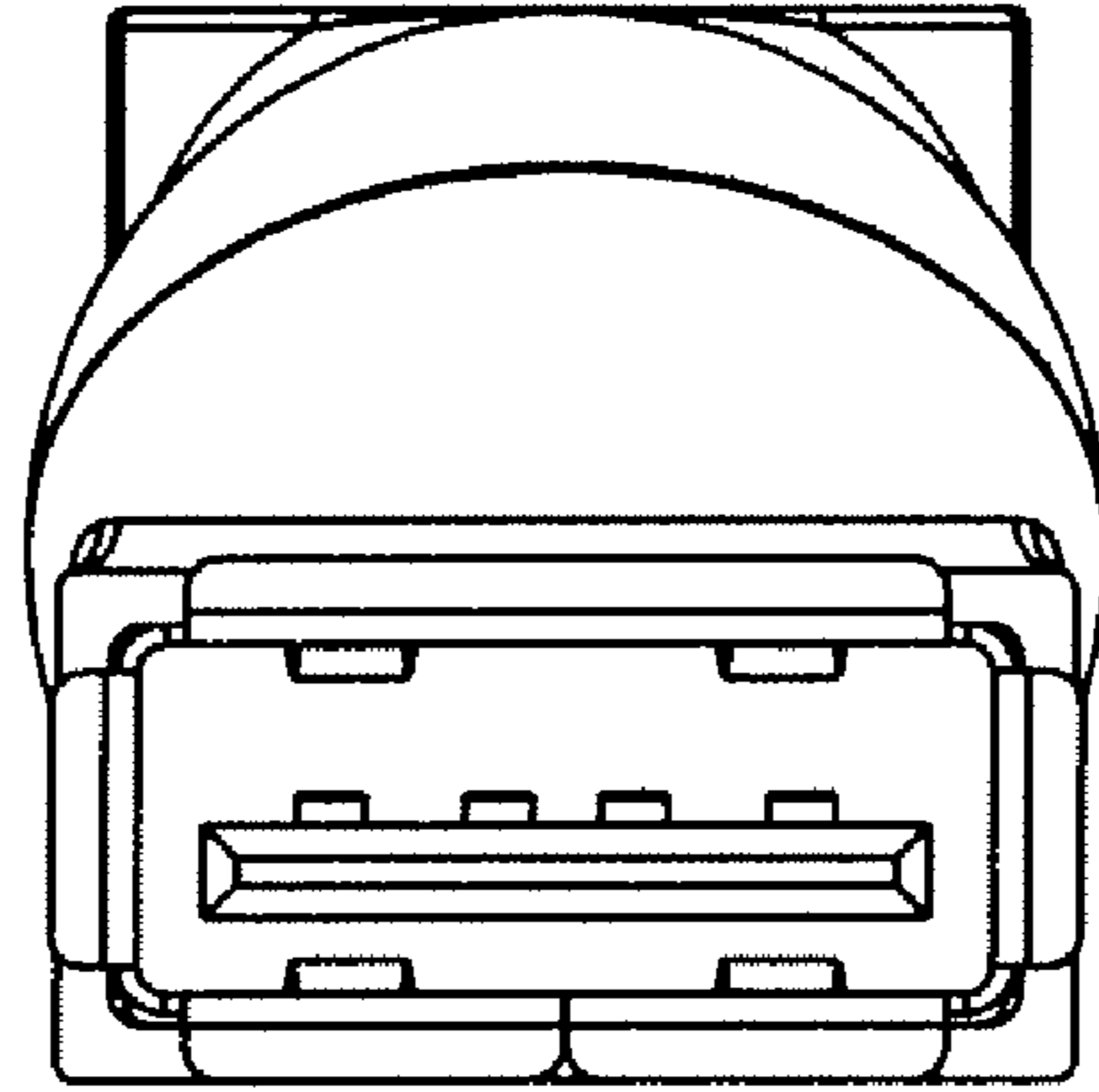


FIG. 7

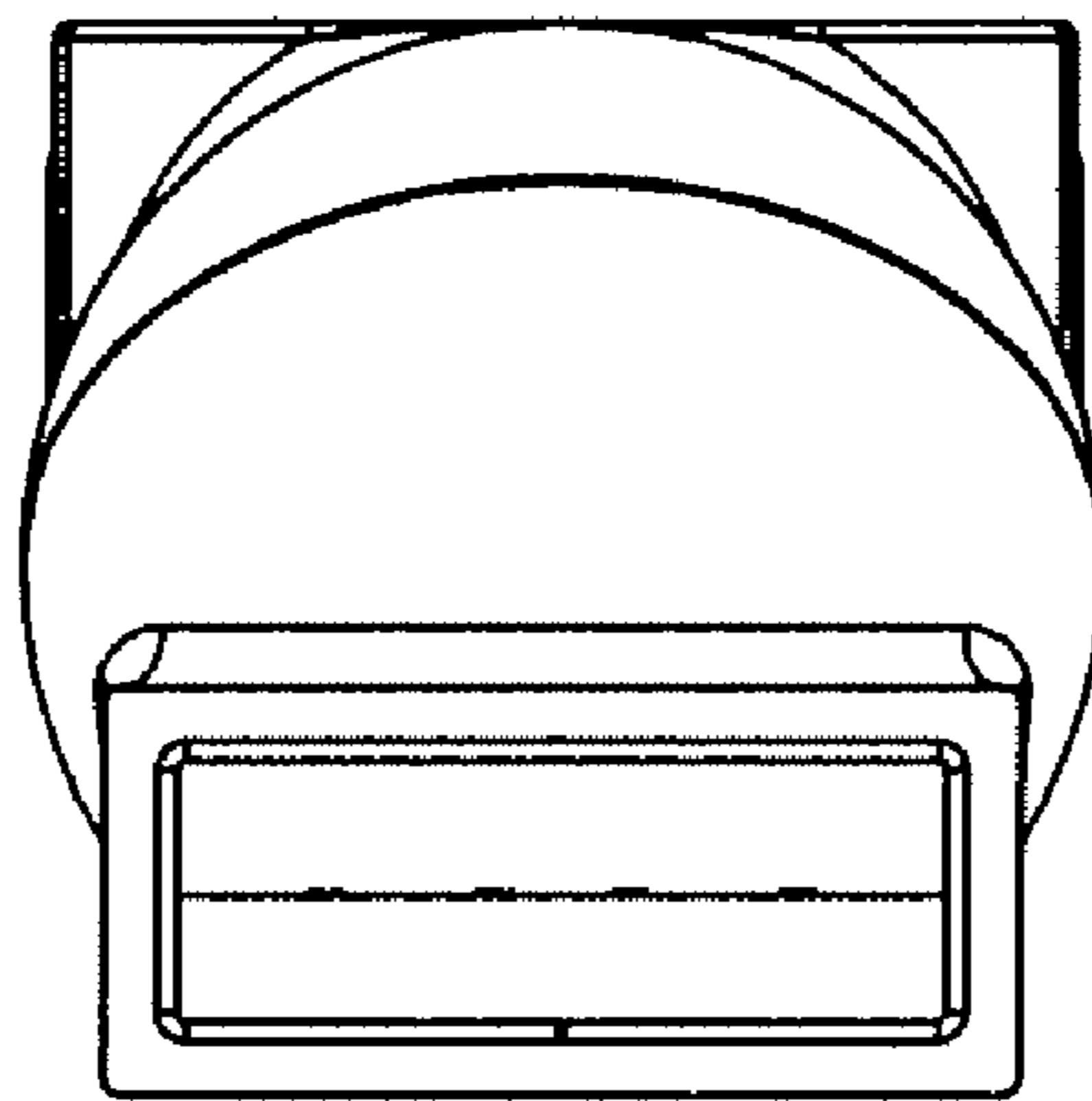


FIG. 8

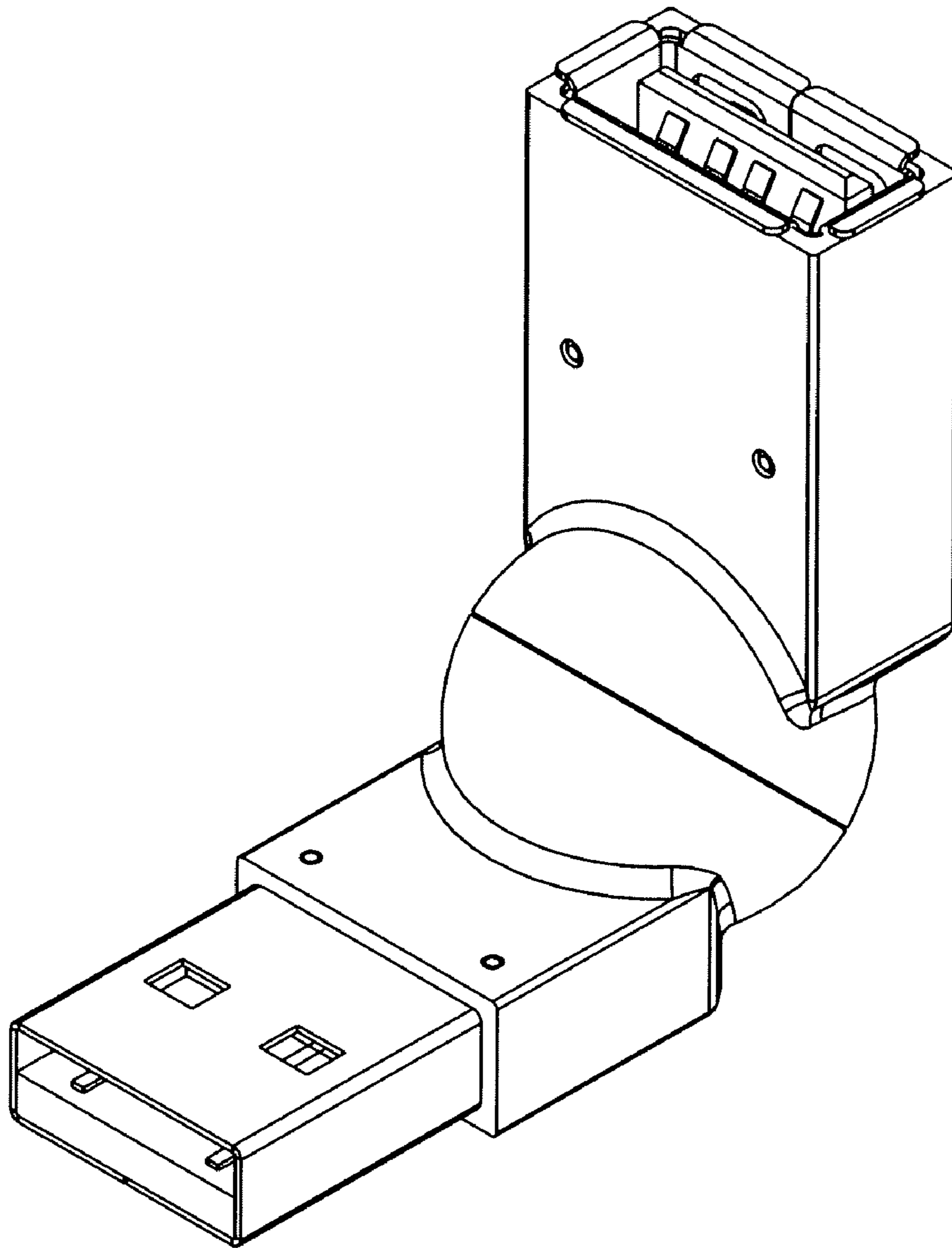


FIG. 9

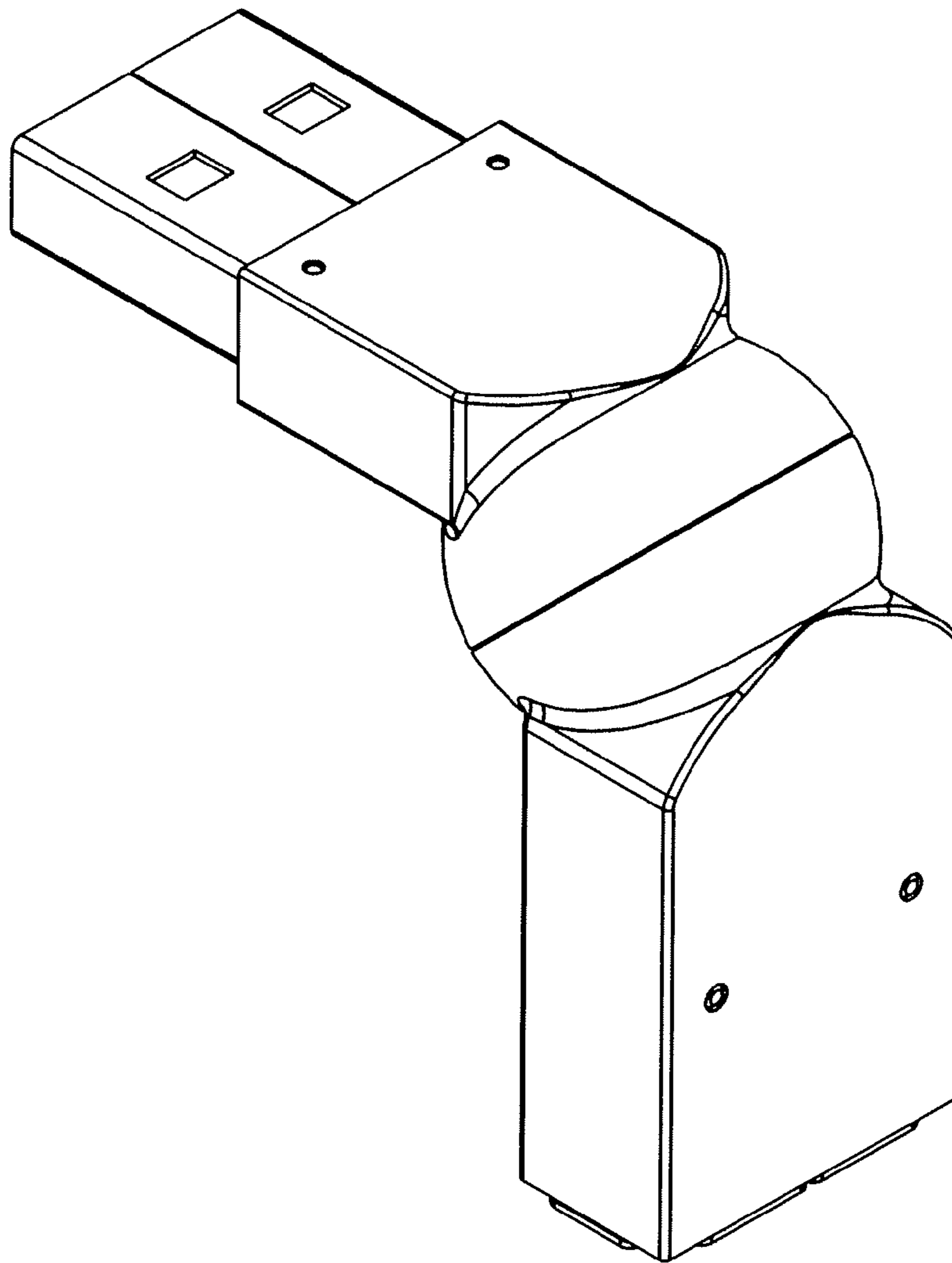


FIG. 10